

US00D541994S

(12) **United States Design Patent**
Dana et al.

(10) **Patent No.:** **US D541,994 S**

(45) **Date of Patent:** **** May 1, 2007**

(54) **PET DISH AND DISPOSABLE LINER**

(76) Inventors: **Gail Dana**, 4572 Norma Dr., San Diego, CA (US) 92115; **William G. Behun**, 4572 Norma Dr., San Diego, CA (US) 92115

(**) Term: **14 Years**

(21) Appl. No.: **29/231,382**

(22) Filed: **Jun. 2, 2005**

(51) **LOC (8) Cl.** **30-03**

(52) **U.S. Cl.** **D30/129**

(58) **Field of Classification Search** D7/578,
D7/543, 566, 587, 562, 588, 568, 553.8, 565;
D9/429; D30/129, 130, 161, 121, 132; 119/61.5,
119/51.5, 61.54; D21/816

See application file for complete search history.

(56) **References Cited**

U.S. PATENT DOCUMENTS

D257,494 S * 11/1980 Imhoff D30/129
D303,441 S * 9/1989 Keller D30/129
D343,482 S * 1/1994 Keller et al. D30/130

D358,008 S * 5/1995 Keller et al. D30/161
D377,246 S * 1/1997 Clenney D30/162
D424,757 S * 5/2000 Cooper et al. D30/129
6,230,653 B1 * 5/2001 Tobin 119/72

* cited by examiner

Primary Examiner—M. H. Tung

Assistant Examiner—Susan Moon Lee

(74) *Attorney, Agent, or Firm*—Steins & Associates, P.C.

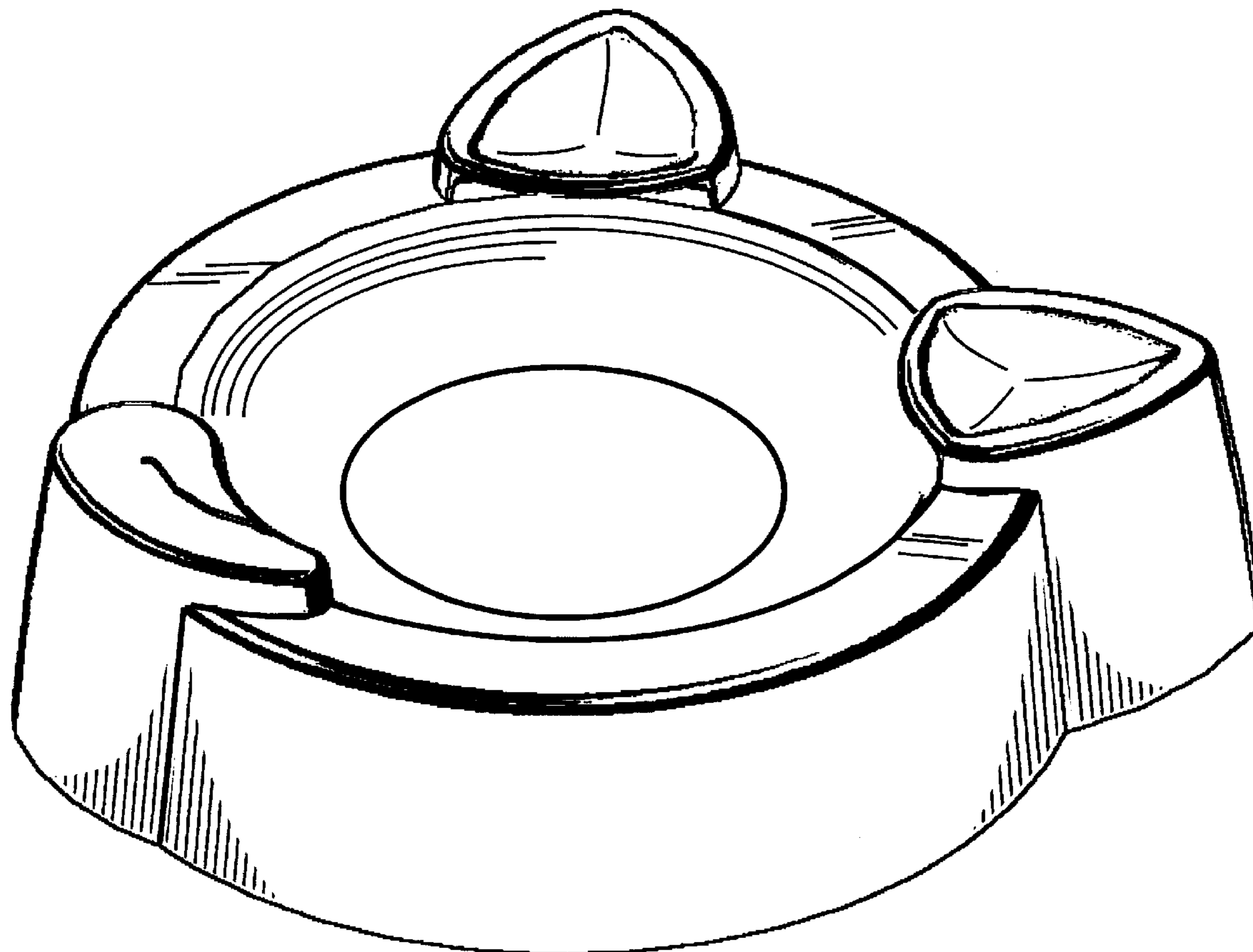
(57) **CLAIM**

We claim the ornamental design for a pet dish and disposable liner, as shown.

DESCRIPTION

FIG. 1 is a perspective view of a pet dish and disposable liner according to our new design; FIG. 2 is a top plan view thereof; FIG. 3 is a right side view thereof; FIG. 4 is a left side view thereof; FIG. 5 is a bottom view thereof; and, FIG. 6 is an exploded perspective view of the pet dish and disposable liner.

1 Claim, 5 Drawing Sheets



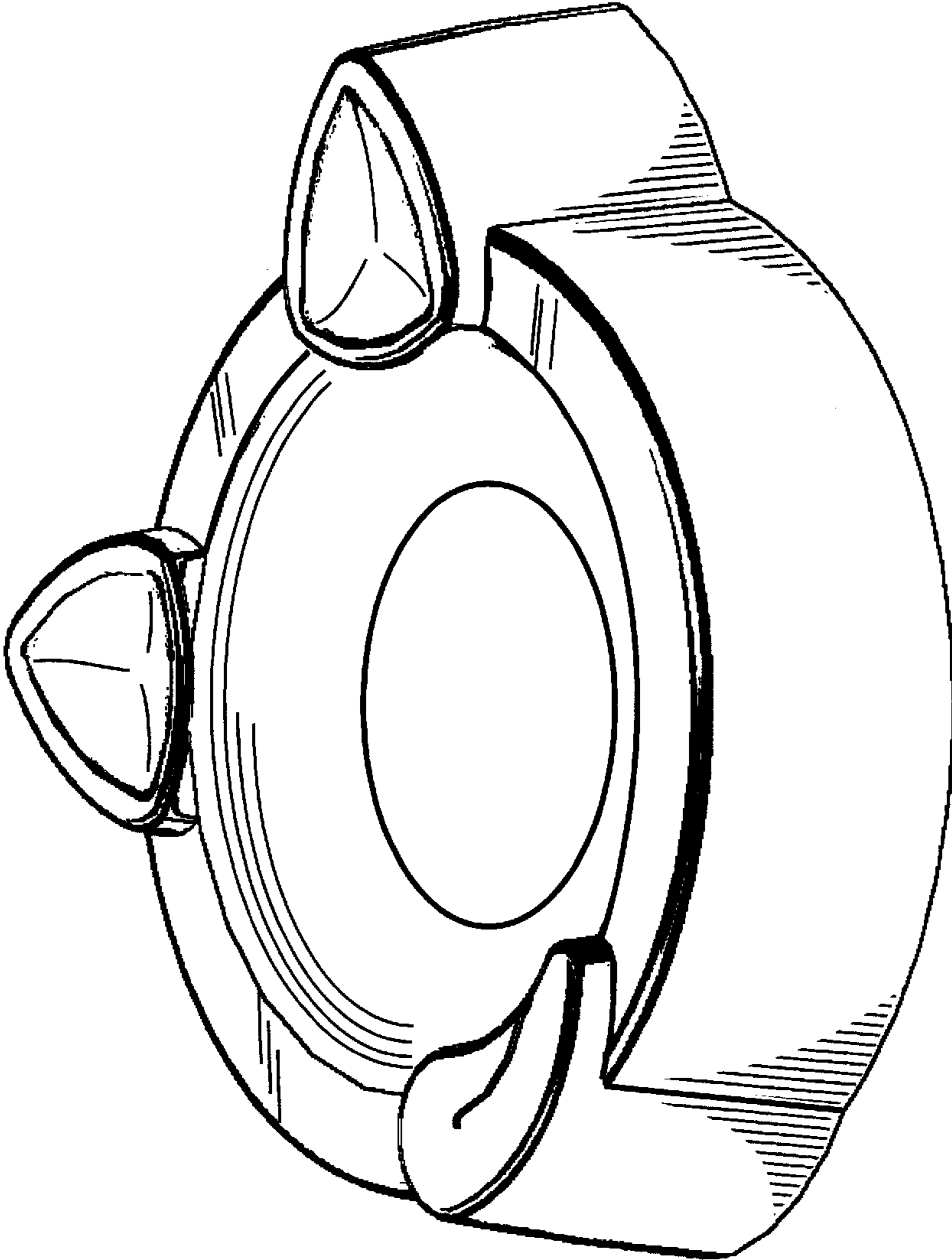


FIGURE 1

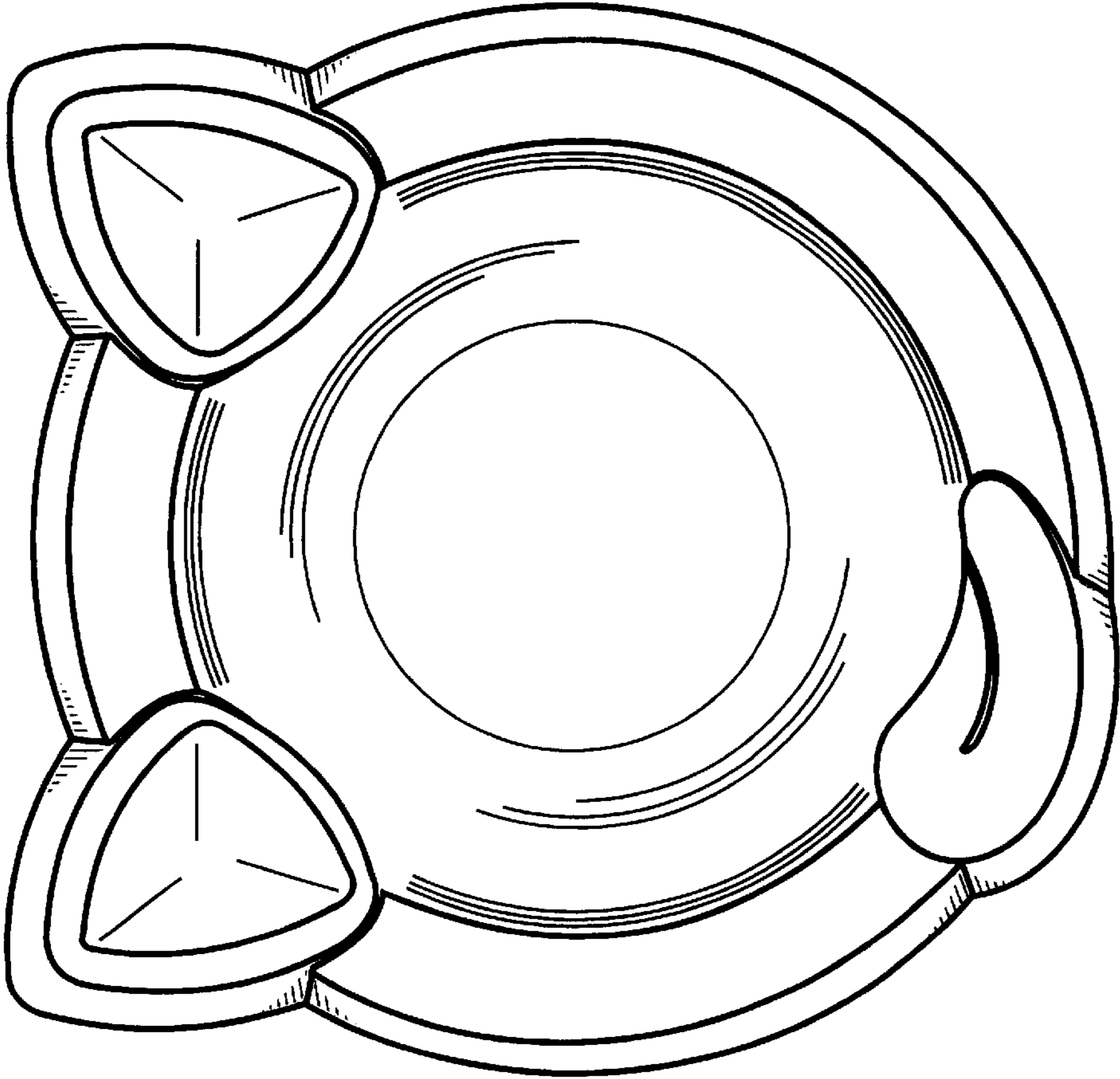


FIGURE 2

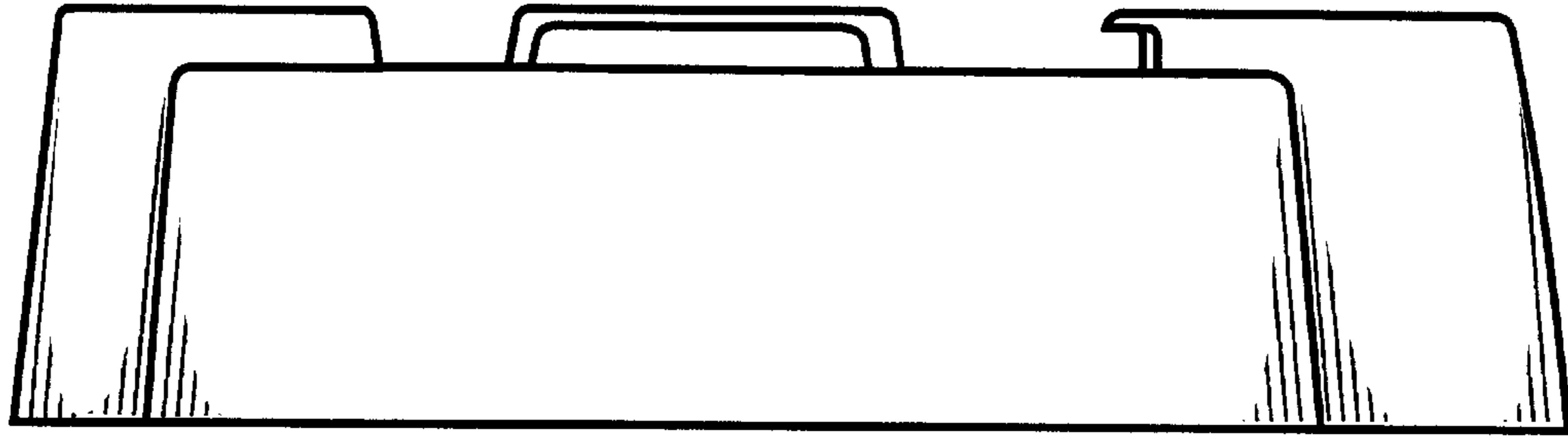


FIGURE 3

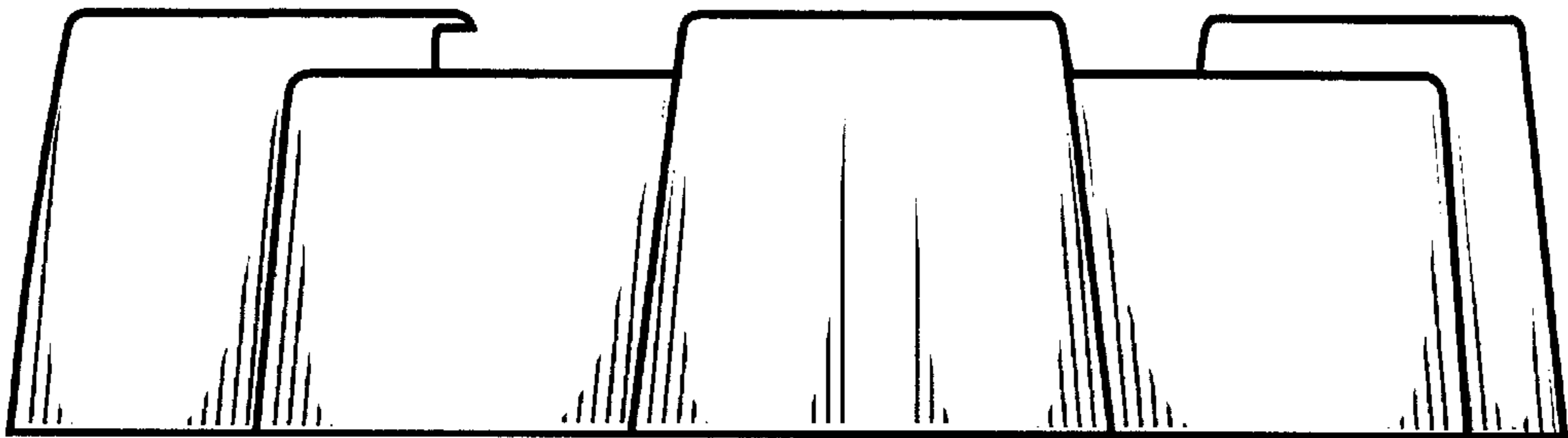


FIGURE 4

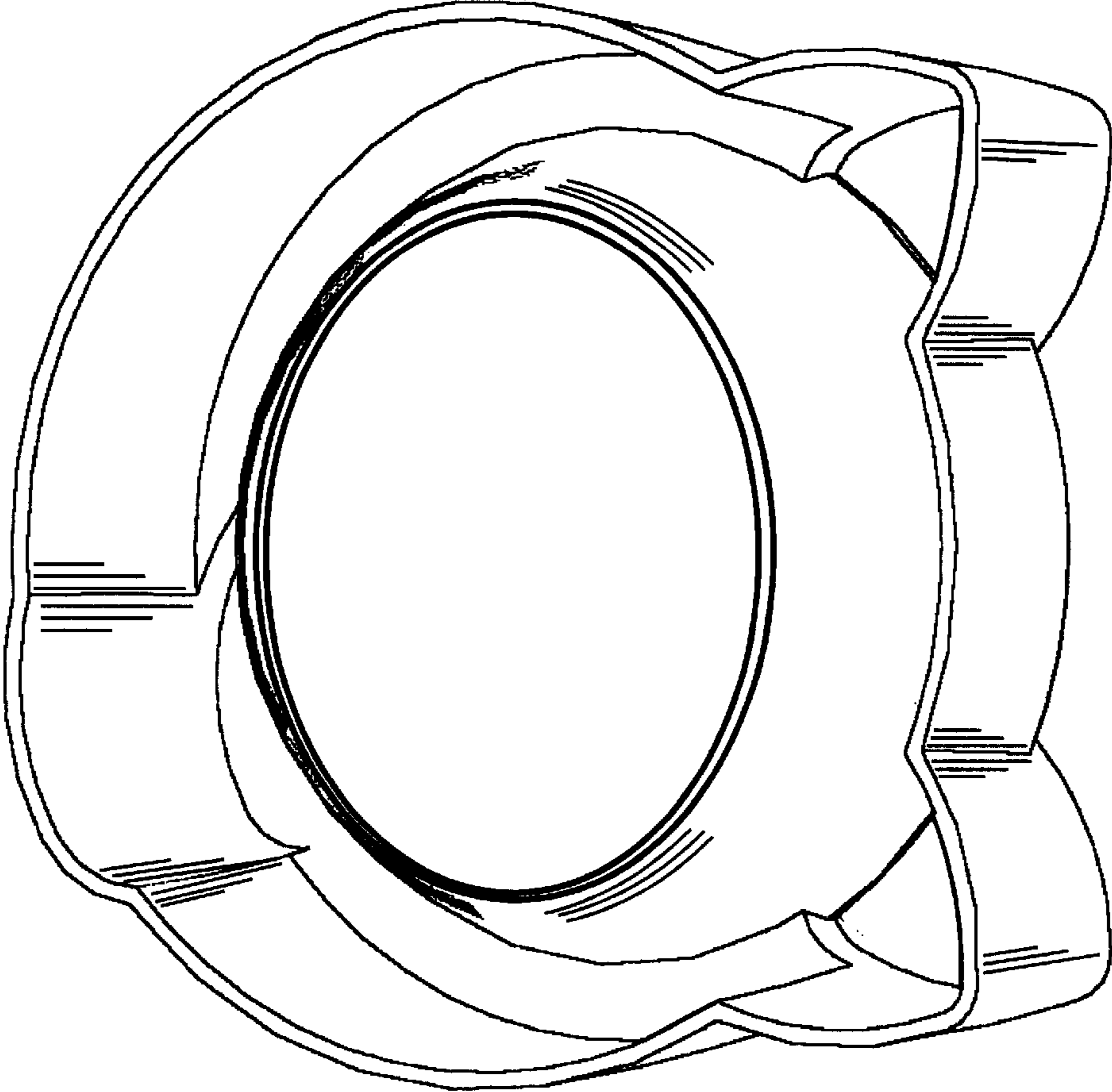


FIGURE 5

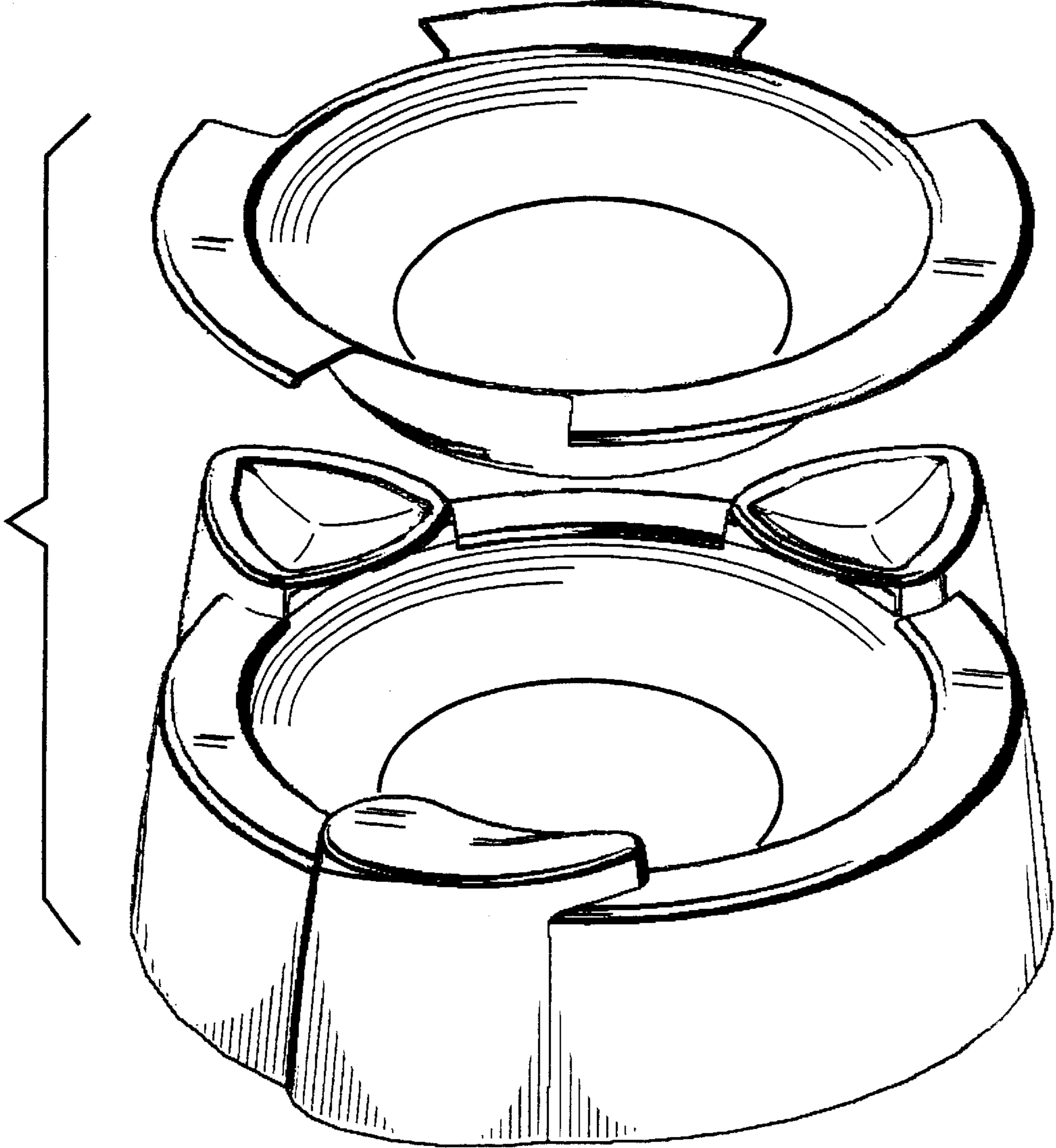


FIGURE 6