

US00D541985S

(12) **United States Design Patent**
Peña

(10) **Patent No.:** **US D541,985 S**

(45) **Date of Patent:** **** May 1, 2007**

(54) **HAIR CUTTING RAZOR BLADE**

(76) Inventor: **Joe Anthony Peña**, 8613 Navarro,
Victoria, TX (US) 77904

(**) Term: **14 Years**

(21) Appl. No.: **29/258,131**

(22) Filed: **Apr. 17, 2006**

(51) **LOC (8) Cl.** **28-03**

(52) **U.S. Cl.** **D28/45**

(58) **Field of Classification Search** D28/44,
D28/44.1, 45-48; 30/30, 32, 34.05, 53-55;
132/215

See application file for complete search history.

(56) **References Cited**

U.S. PATENT DOCUMENTS

D298,576 S * 11/1988 Iten D28/45

D322,688 S * 12/1991 Grange D28/45

D444,915 S * 7/2001 Bianco D28/45

* cited by examiner

Primary Examiner—Jennifer Rivard

(74) *Attorney, Agent, or Firm*—J. Elliot Alfred

(57) **CLAIM**

The ornamental design for a hair cutting razor blade, as shown and described.

DESCRIPTION

FIG. 1 is a front top left perspective view showing my design;

FIG. 2 is a rear top left perspective view thereof;

FIG. 3 is a left elevational view thereof;

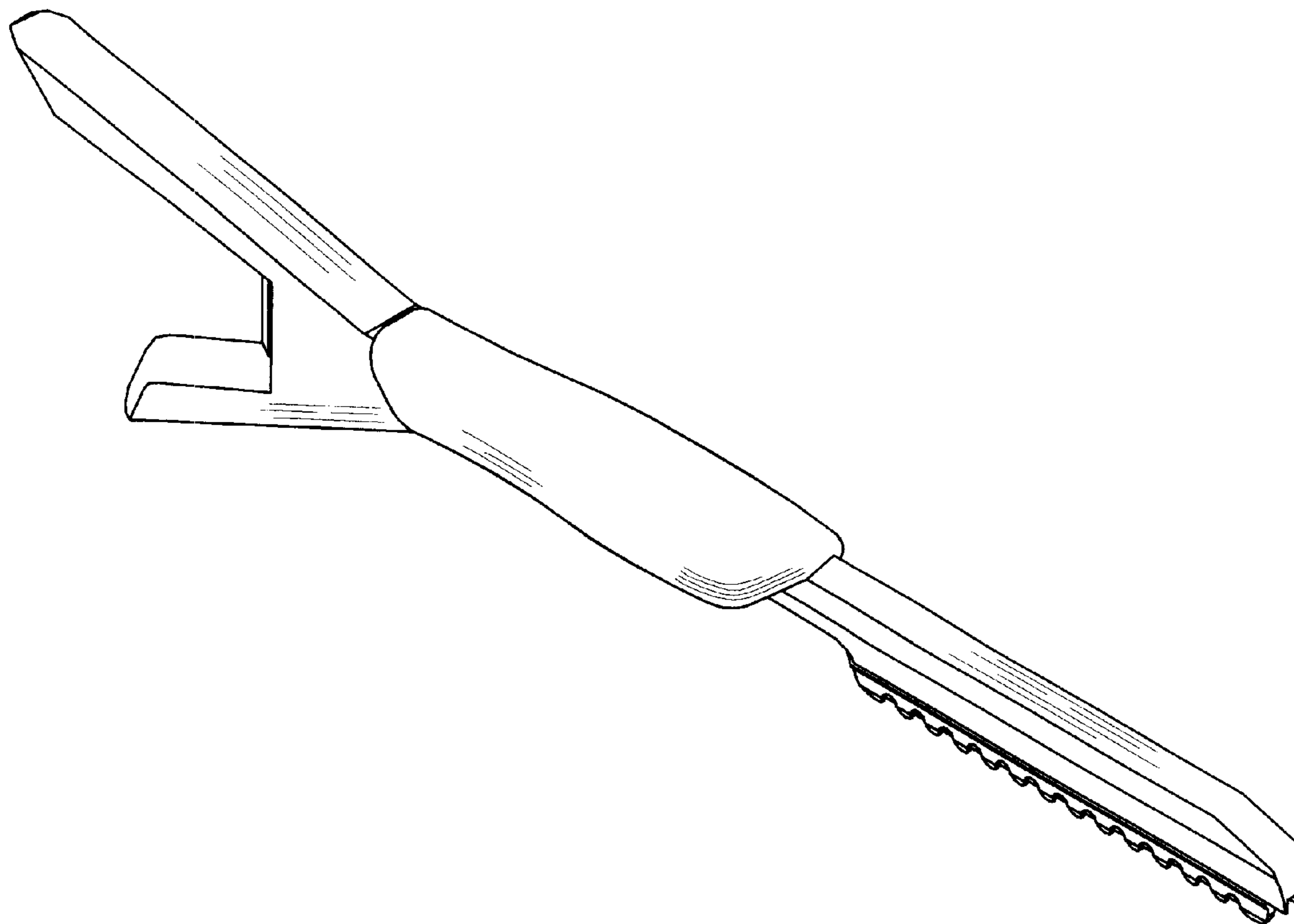
FIG. 4 is a right elevational view thereof;

FIG. 5 is a top plan view thereof;

FIG. 6 is a bottom plan view thereof; and,

FIG. 7 is a front elevational view thereof.

1 Claim, 7 Drawing Sheets



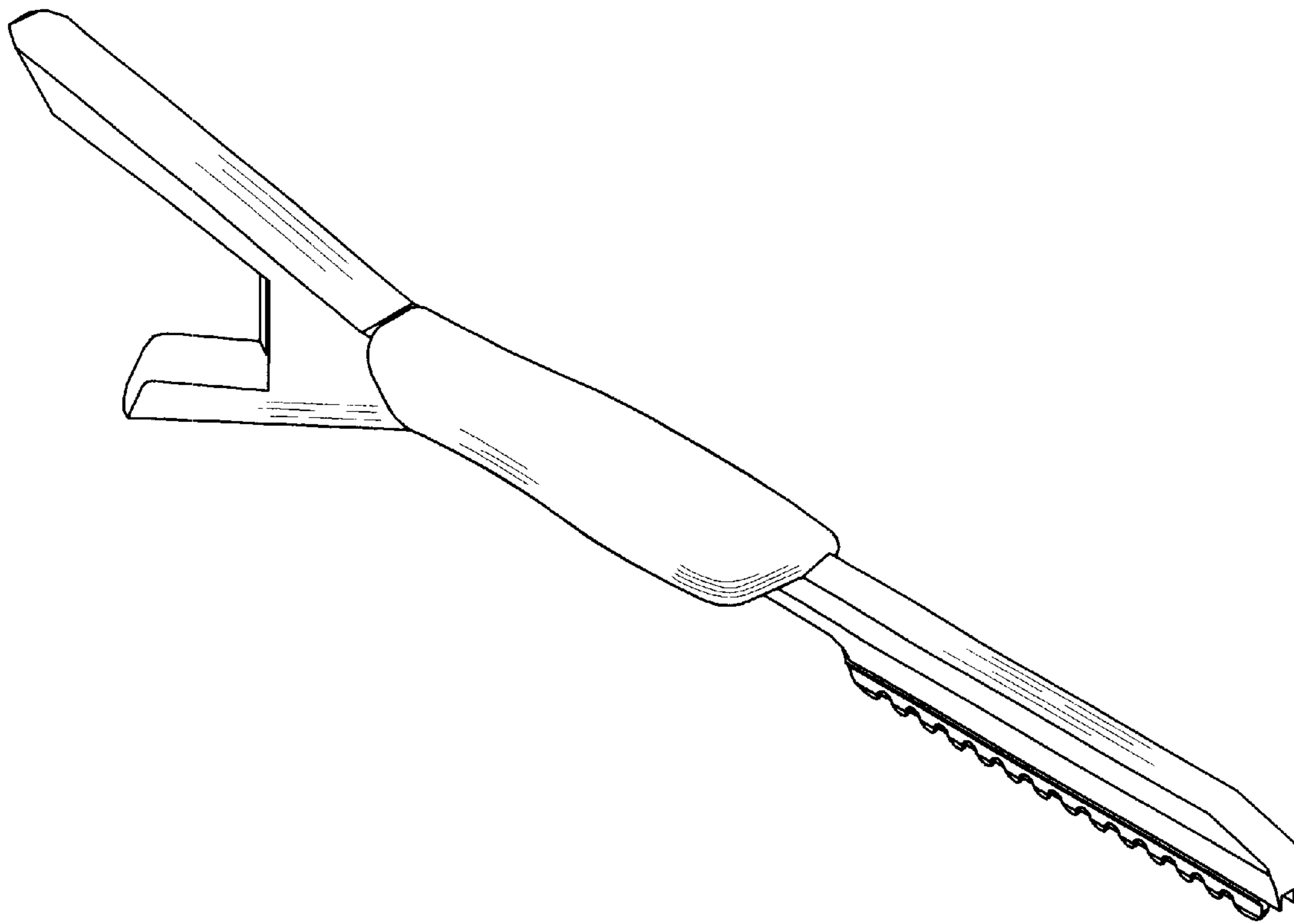


FIG. 1

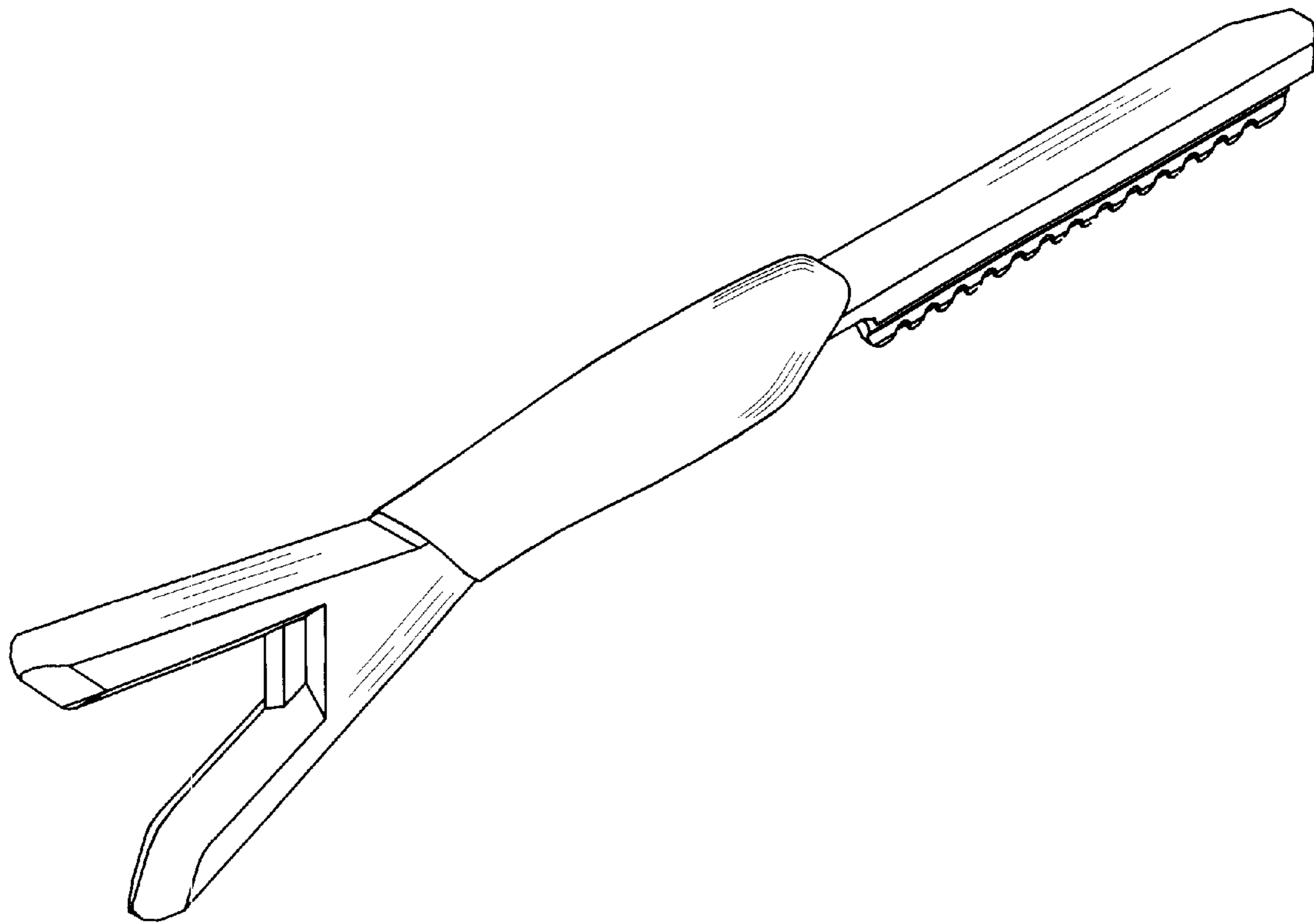


FIG. 2

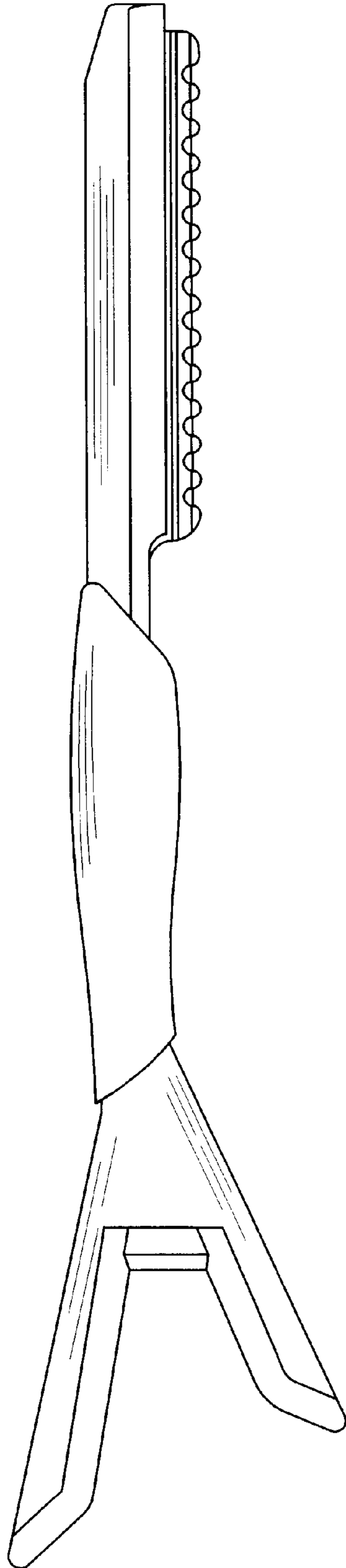


FIG. 3

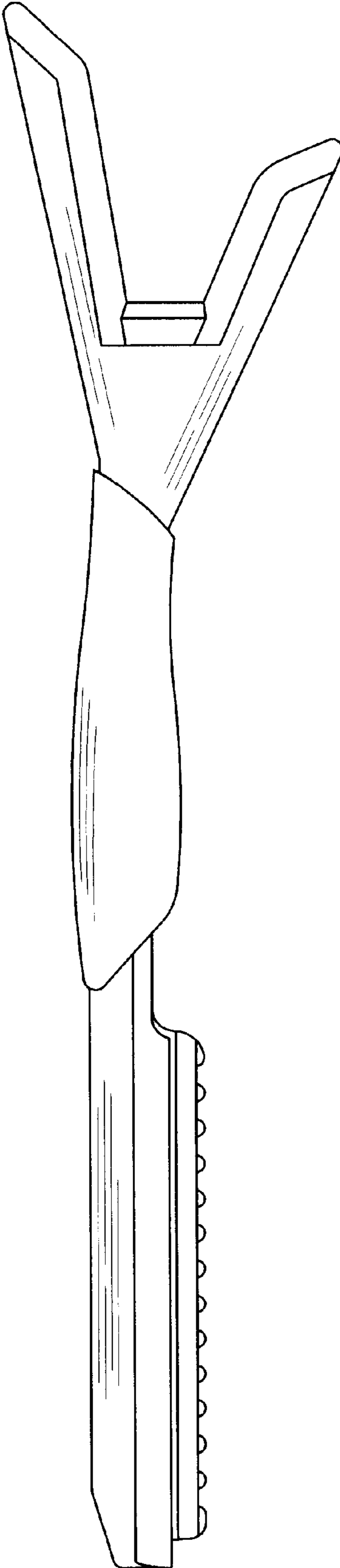


FIG. 4

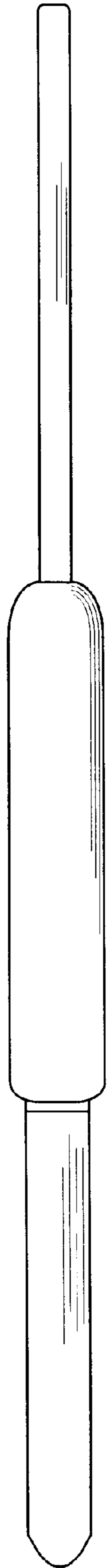


FIG. 5

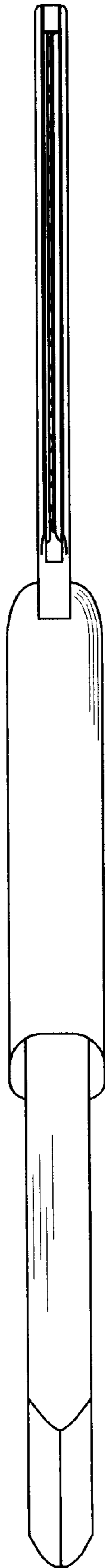


FIG. 6

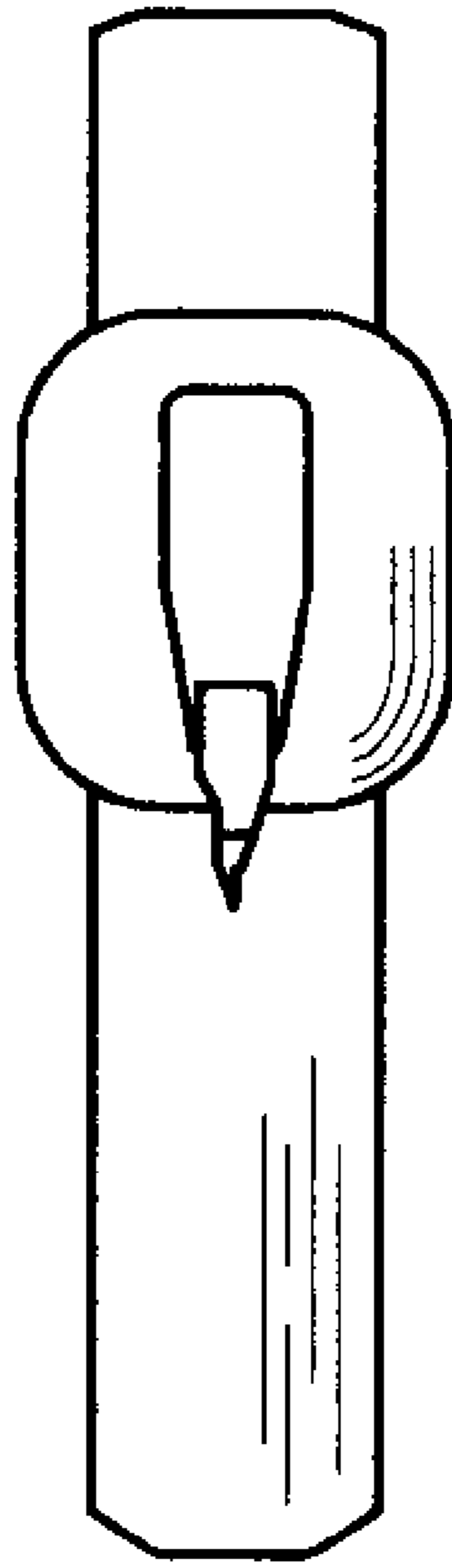


FIG. 7