



US00D541980S

(12) **United States Design Patent**
Morgandi

(10) **Patent No.:** **US D541,980 S**

(45) **Date of Patent:** **** May 1, 2007**

(54) **HAIRDRYER**

(75) Inventor: **Arturo Morgandi**, Azzano S. Paolo
(IT)

(73) Assignee: **IMETEC S.p.A.**, (Bergamo) (IT)

(**) Term: **14 Years**

(21) Appl. No.: **29/251,981**

(22) Filed: **Jan. 18, 2006**

(30) **Foreign Application Priority Data**

Jul. 20, 2005 (EM) 000375126

(51) **LOC (8) Cl.** **28-03**

(52) **U.S. Cl.** **D28/13**

(58) **Field of Classification Search** D28/12-19;
34/96-101, 201; 392/380, 383, 384, 385,
392/381, 382; 219/222

See application file for complete search history.

(56) **References Cited**

U.S. PATENT DOCUMENTS

3,860,174 A * 1/1975 Cercone 239/135
D253,914 S * 1/1980 Haase D28/13
D277,789 S * 2/1985 Pajak D28/13

D350,217 S * 8/1994 Rizzuto, Jr. D28/13
5,339,540 A * 8/1994 Edwards 34/97
D455,227 S * 4/2002 Micinilio D28/13
D472,015 S * 3/2003 Young D28/13
D473,012 S * 4/2003 Altamore D28/13

* cited by examiner

Primary Examiner—Janice Seeger

Assistant Examiner—Zenia Bennett

(74) *Attorney, Agent, or Firm*—Sughrue Mion, PLLC

(57) **CLAIM**

The ornamental design for a hairdryer, as shown and described.

DESCRIPTION

FIG. 1. is a perspective view of the top, front and right side of a hairdryer showing my new design;

FIG. 2 is a perspective view of the top, rear, and right side thereof;

FIG. 3 is a right side elevational view thereof;

FIG. 4 is a left side elevational view thereof;

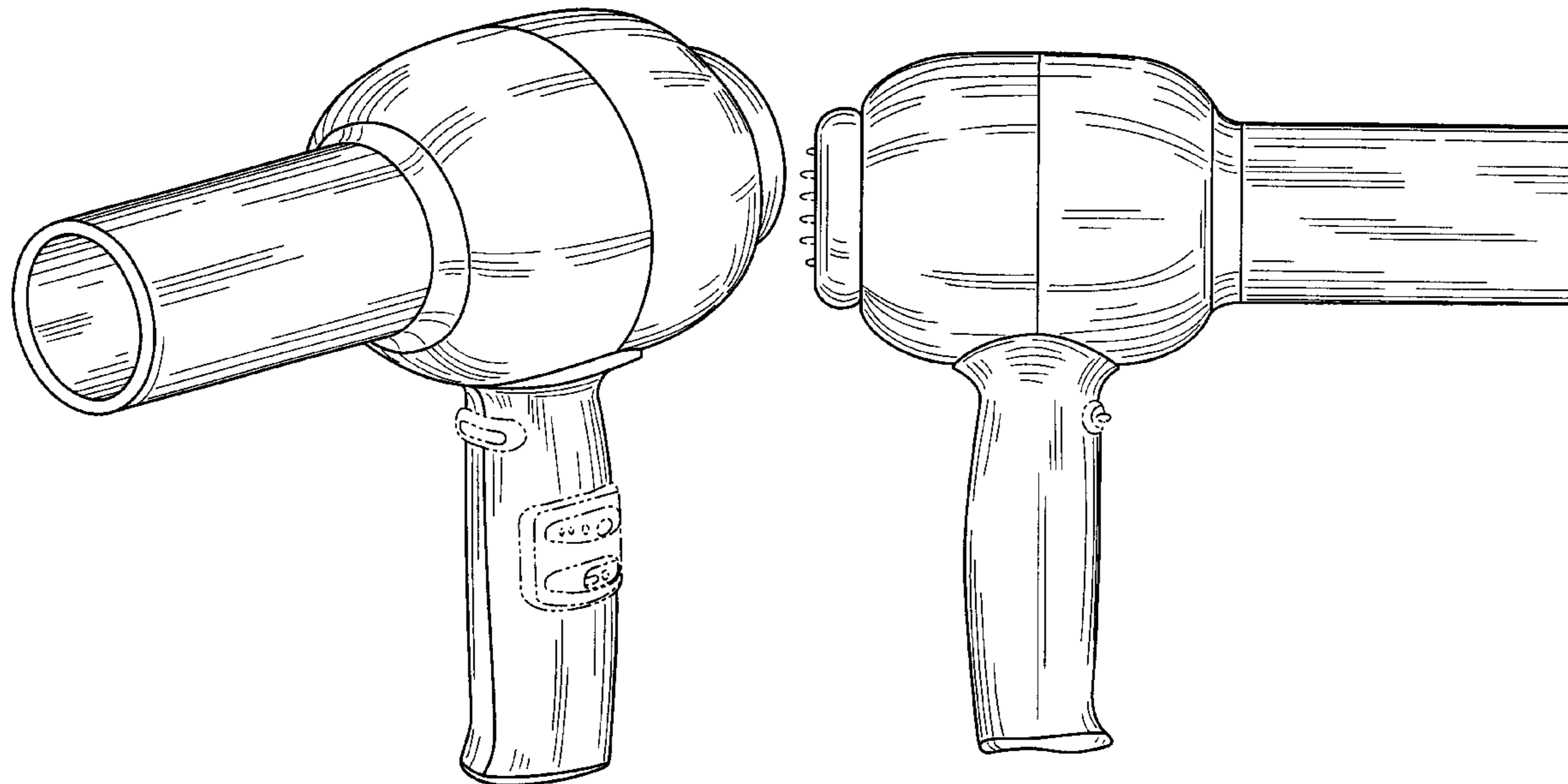
FIG. 5 is a front elevational view thereof;

FIG. 6 is a rear elevational view thereof;

FIG. 7 is a top plan view thereof; and,

FIG. 8 is a bottom plan view thereof.

1 Claim, 8 Drawing Sheets



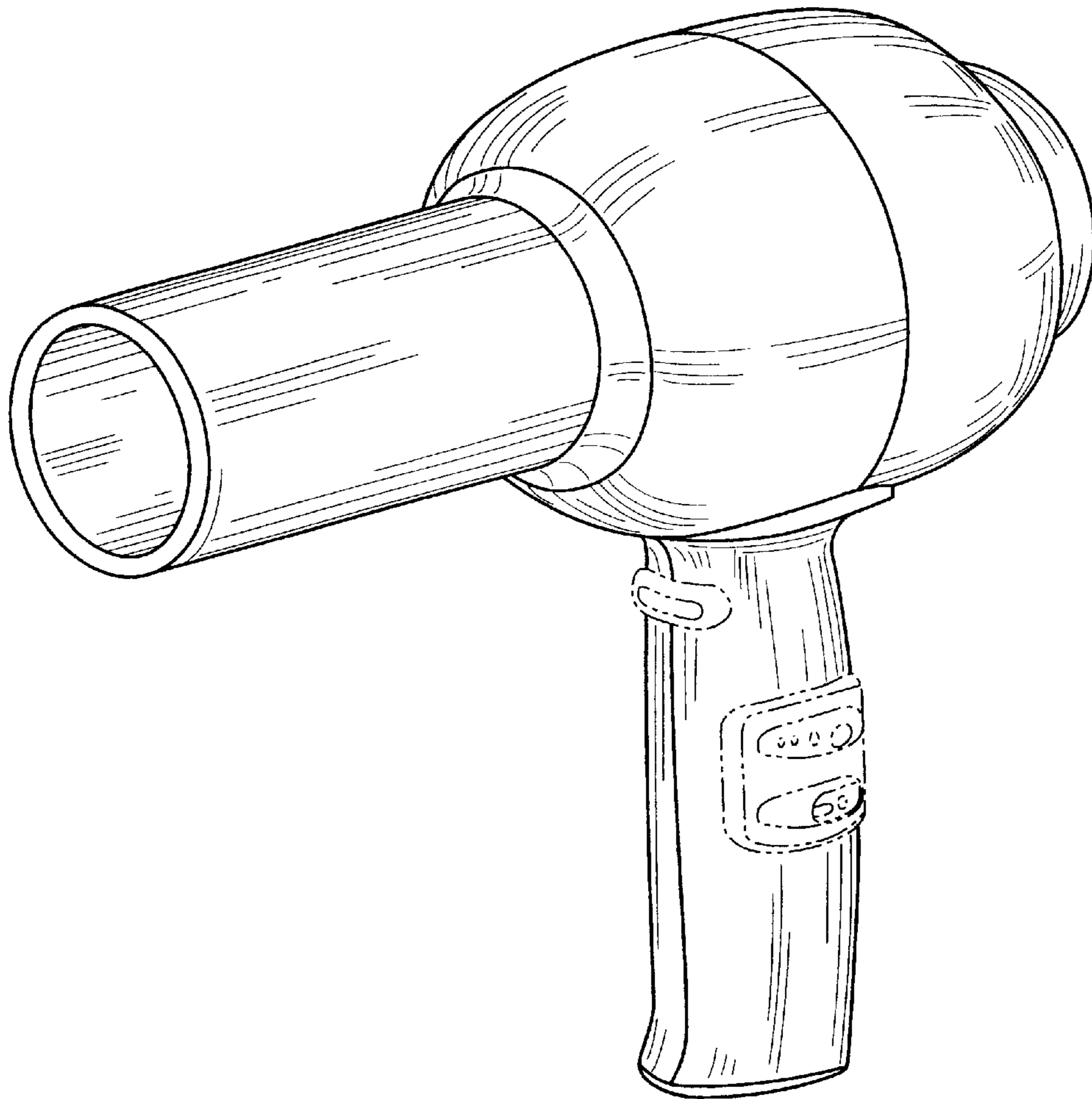


Fig. 1

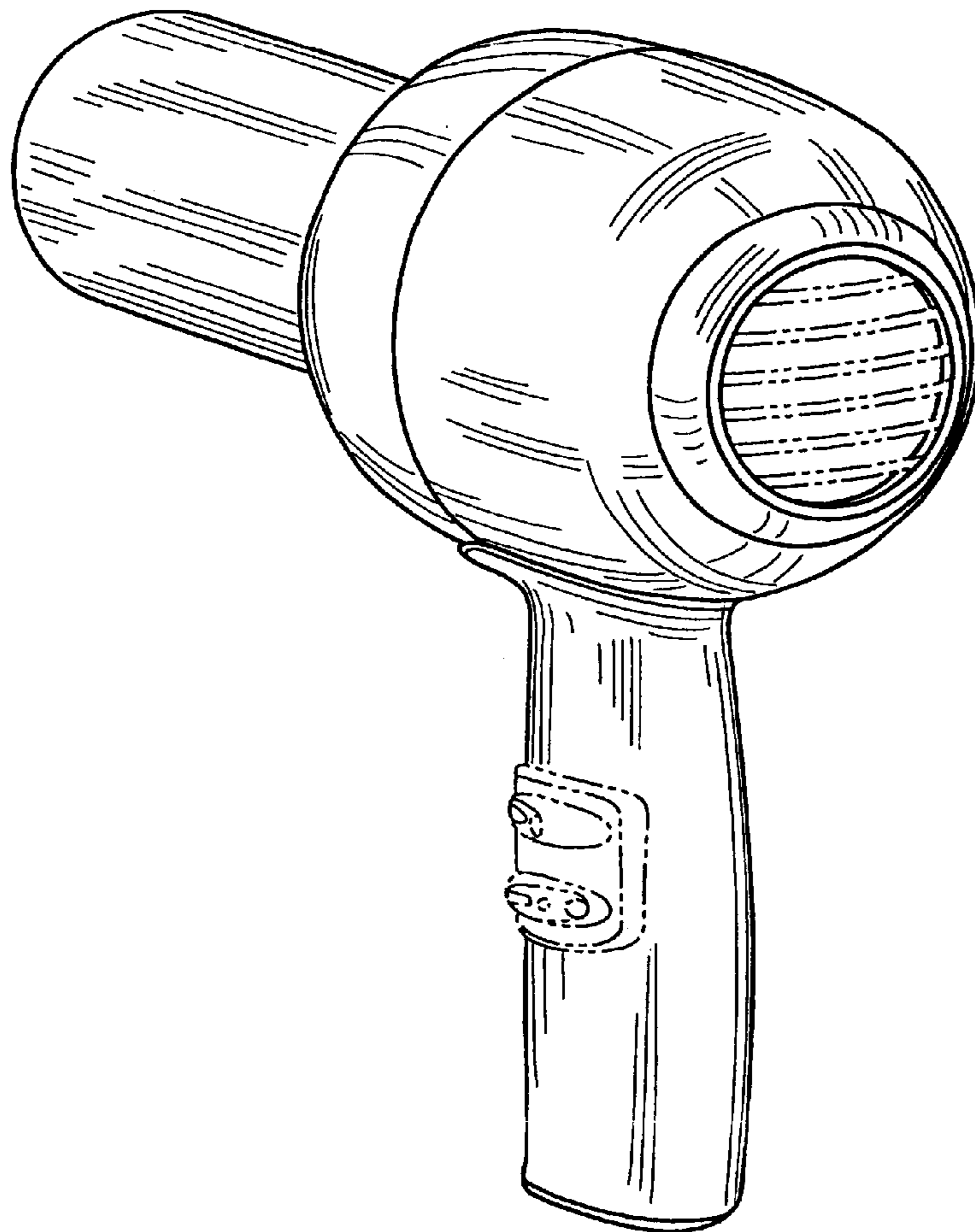


Fig. 2

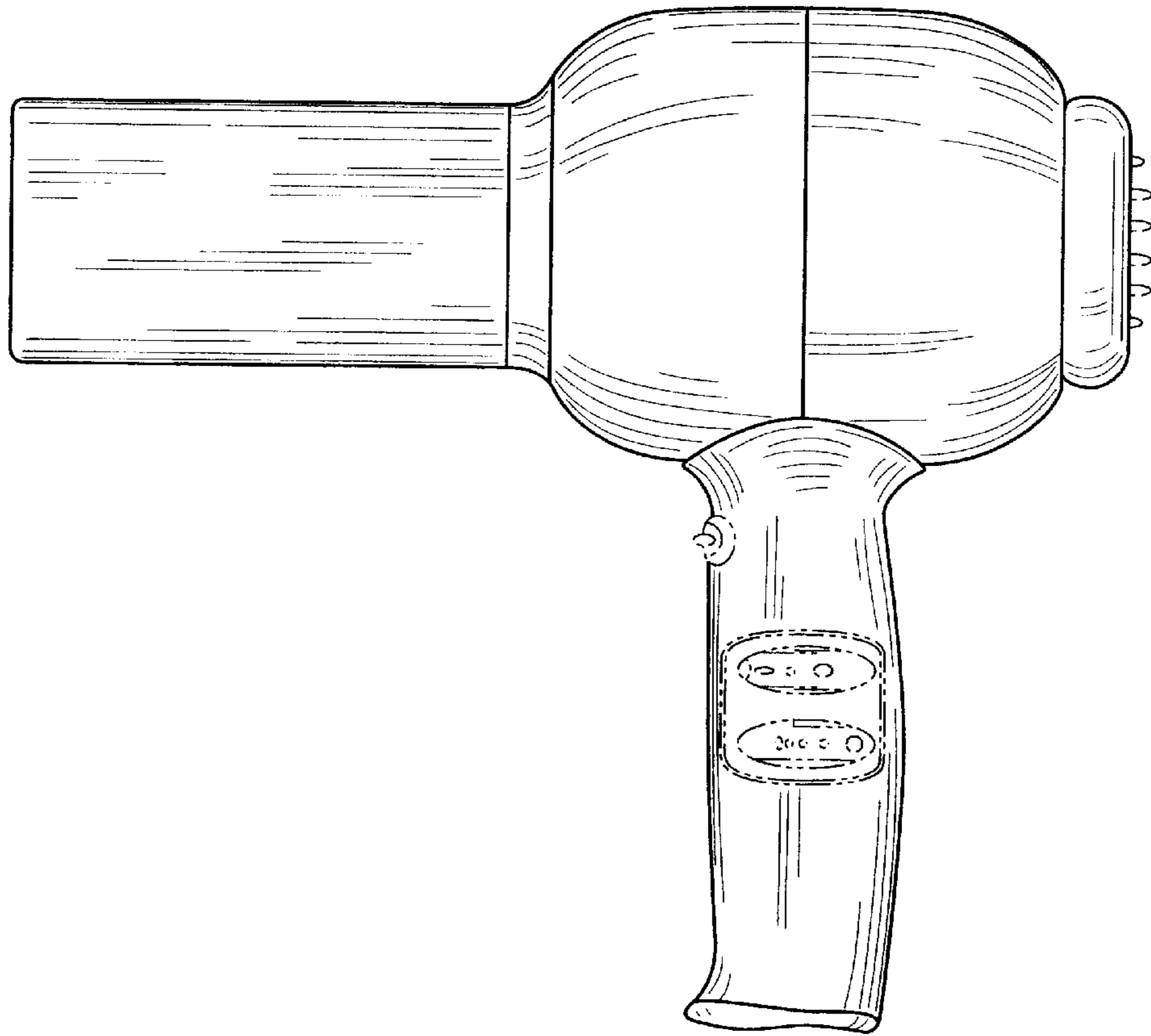


Fig. 3

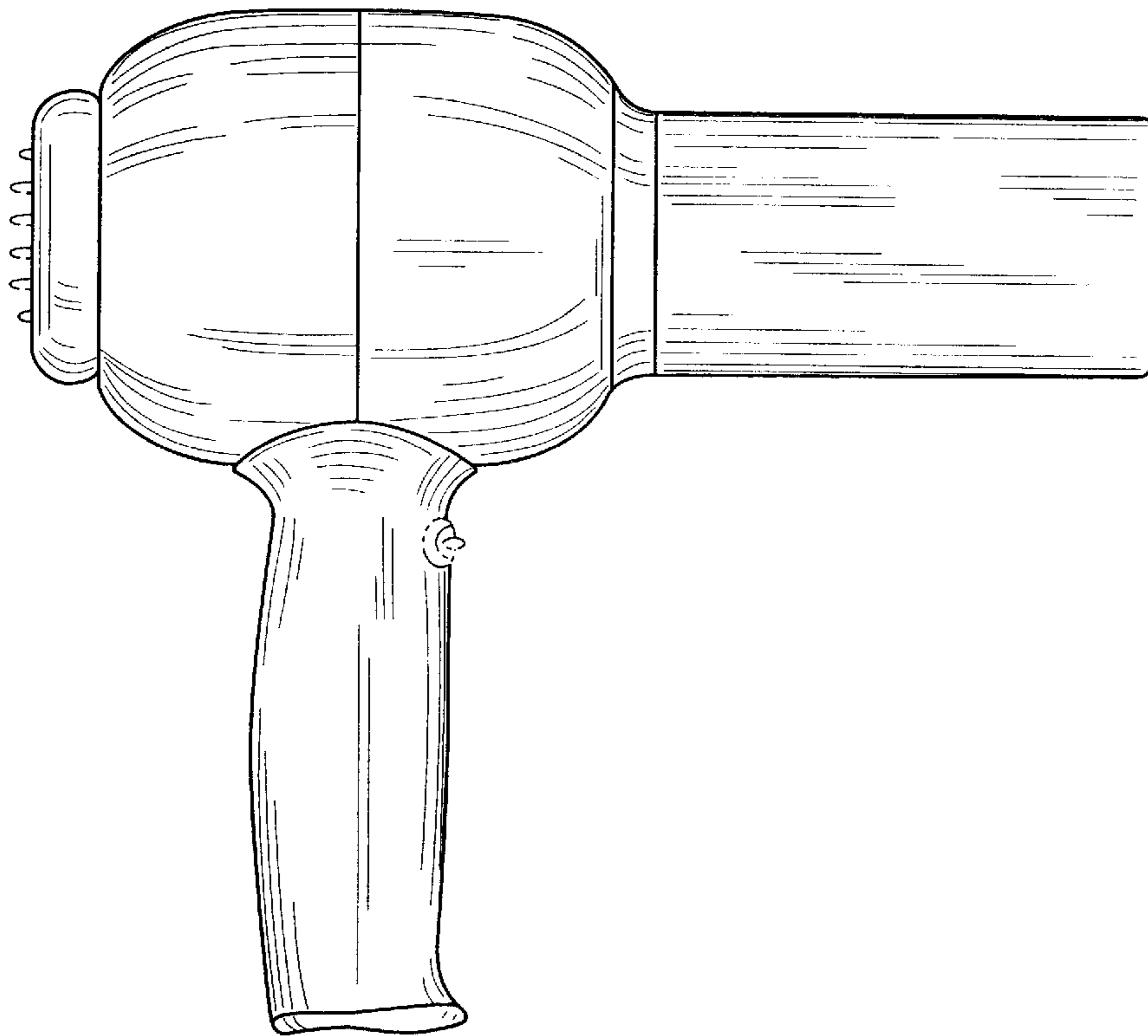


Fig. 4

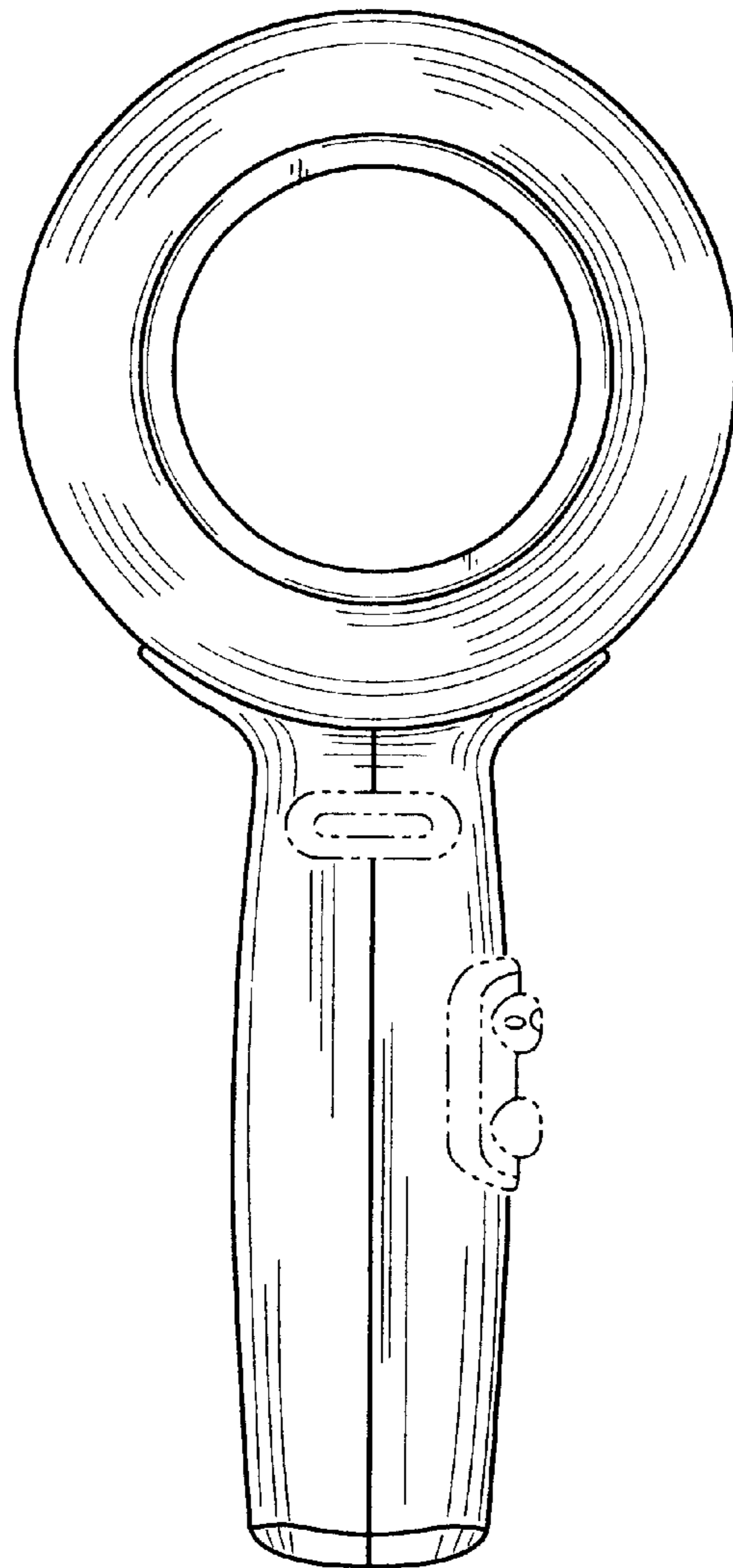


Fig. 5

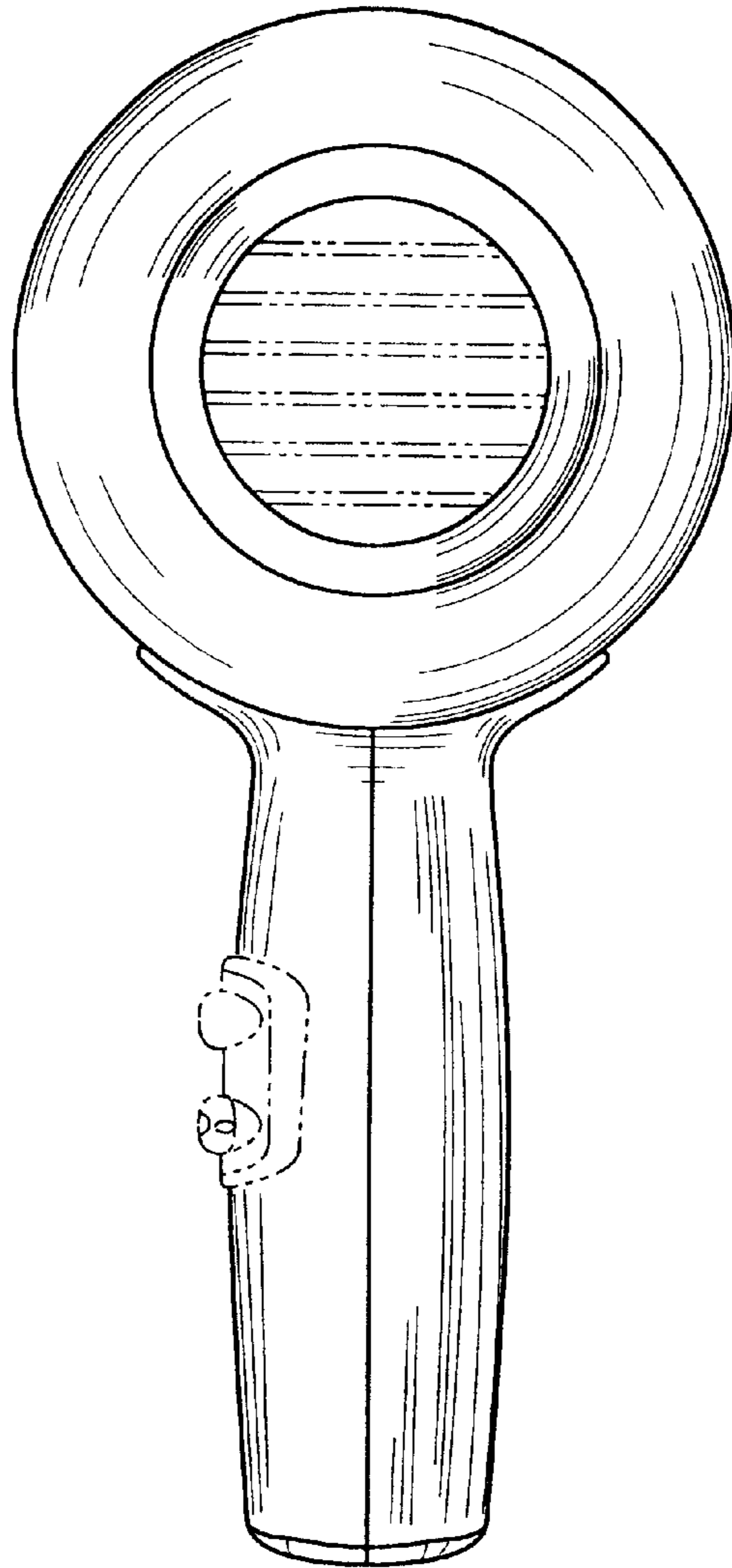


Fig. 6

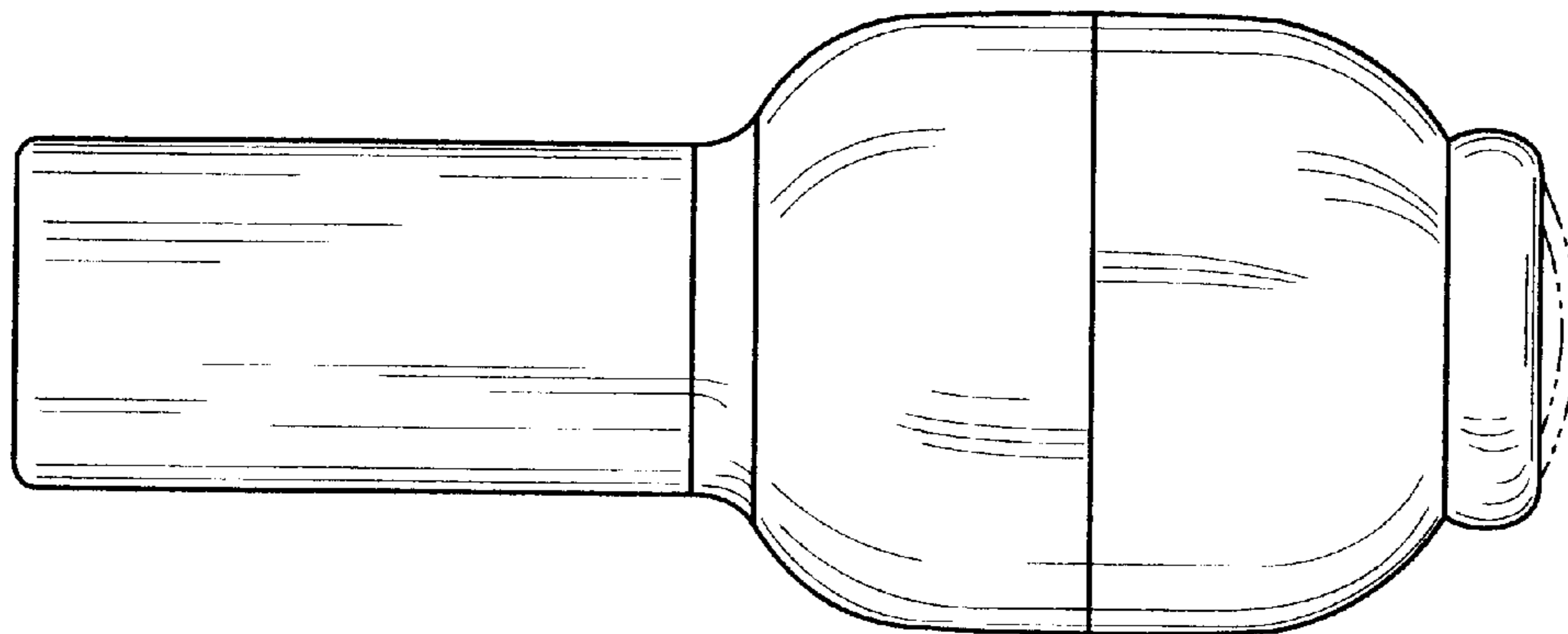


Fig. 7

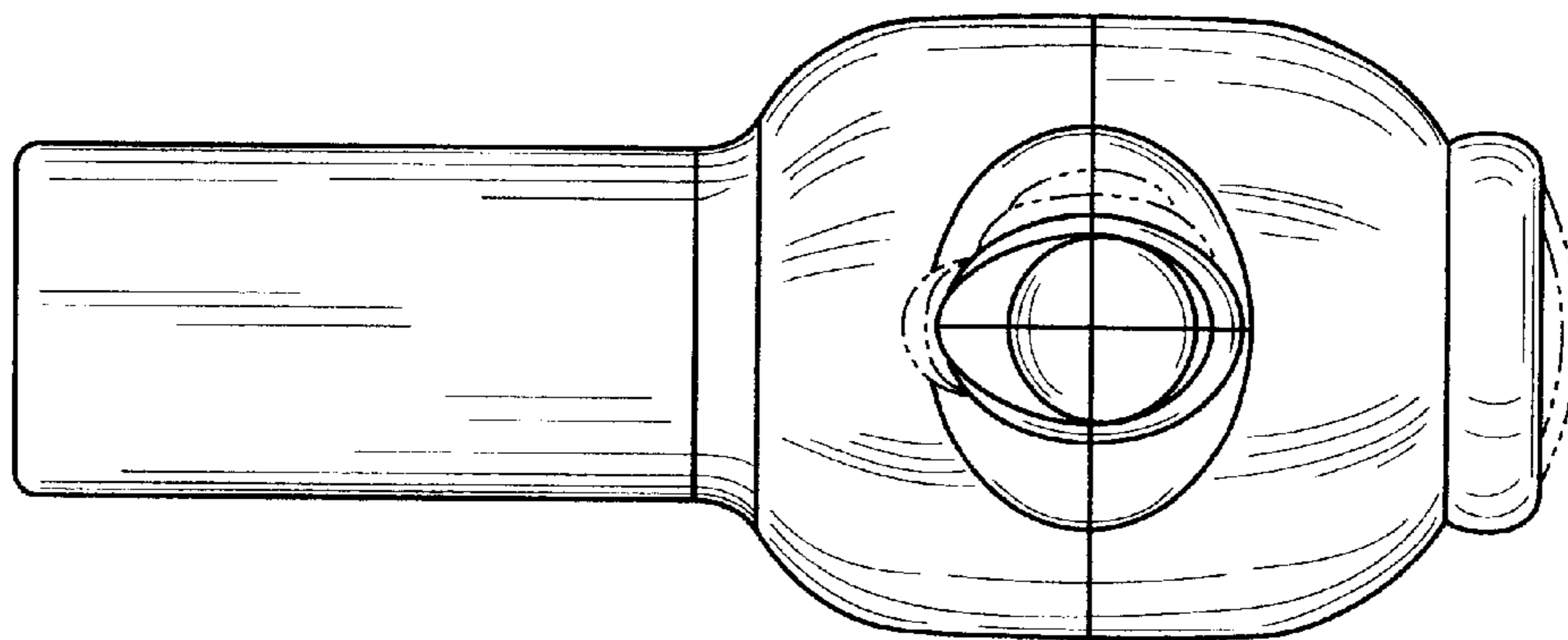


Fig. 8