

US00D541972S

(12) **United States Design Patent**
Holman

(10) **Patent No.:** **US D541,972 S**

(45) **Date of Patent:** **** May 1, 2007**

(54) **LIGHT FIXTURE**

(76) **Inventor:** **John D. Holman**, 2700 NW. Front Ave., Portland, OR (US) 97210

(**) **Term:** **14 Years**

(21) **Appl. No.:** **29/262,908**

(22) **Filed:** **Jul. 12, 2006**

(51) **LOC (8) Cl.** **26-03**

(52) **U.S. Cl.** **D26/87; D26/92**

(58) **Field of Classification Search** D26/72,
D26/80-92; 362/147, 362, 363, 370, 371,
362/431, 432, 806

See application file for complete search history.

(56) **References Cited**

U.S. PATENT DOCUMENTS

D80,048 S	*	12/1929	Pinaglia	D26/87
D463,605 S	*	9/2002	Orozco	D26/87
D464,163 S	*	10/2002	Orozco	D26/87
D483,515 S	*	12/2003	Radulescu	D26/87
D500,382 S	*	12/2004	Phillips	D26/92
D513,338 S	*	12/2005	Burke	D26/87
D518,912 S	*	4/2006	Burke	D26/87

OTHER PUBLICATIONS

“Light Sensor Dusk-to-Dawn Outdoor Lantern”, found at lampsplus.com on Mar. 16, 2004.*

“Casa Sorrento Outdoor in Black”, found at lampsplus.com on Mar. 16, 2004.*

* cited by examiner

Primary Examiner—Clare E Heflin

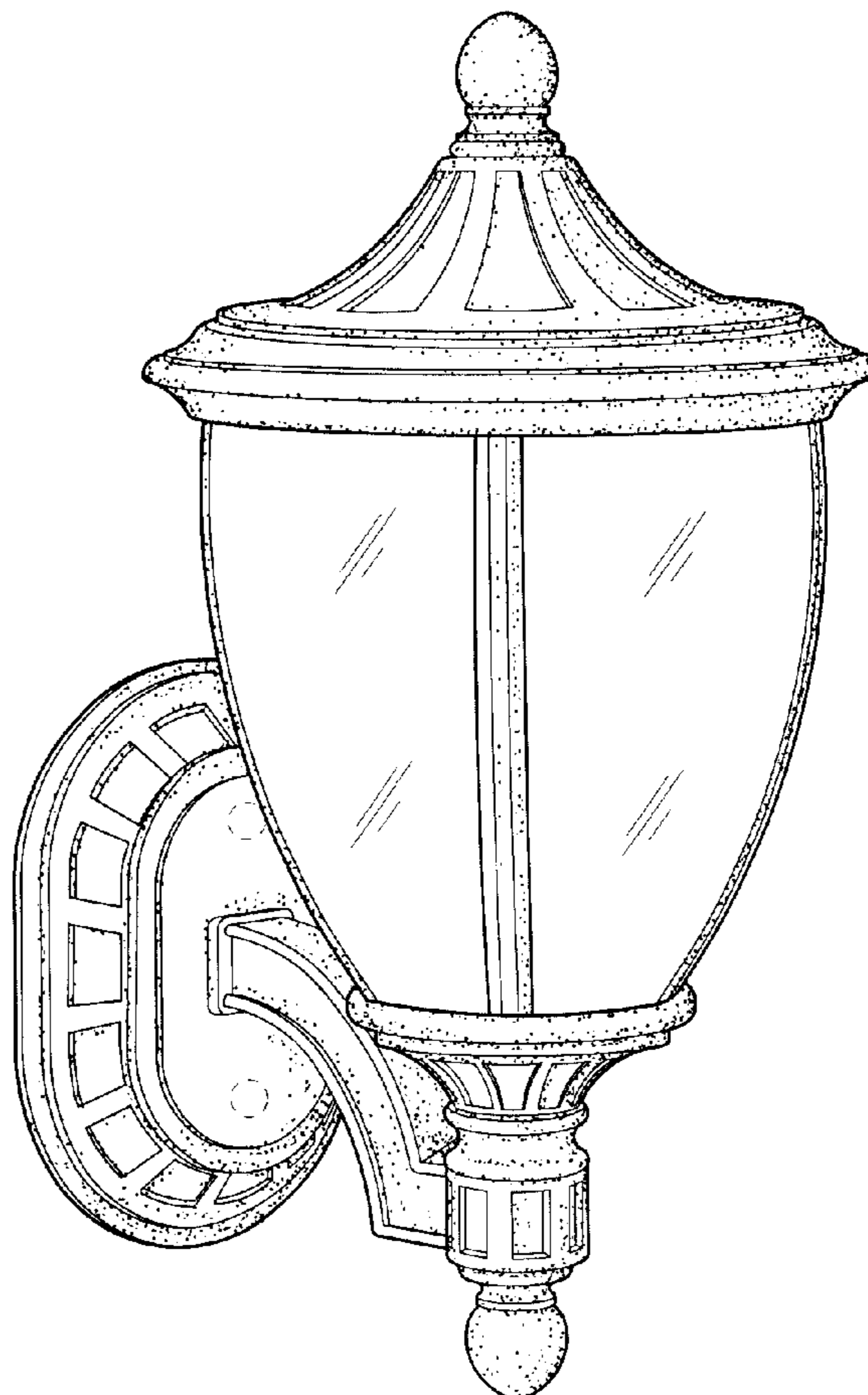
(57) **CLAIM**

The ornamental design for a light fixture, as shown and described.

DESCRIPTION

FIG. 1 is a perspective view thereof;
FIG. 2 is a front elevational view thereof;
FIG. 3 is a right side view, the left side view being a mirror image;
FIG. 4 is a back view thereof;
FIG. 5 is a top view thereof; and,
FIG. 6 is a bottom view thereof.
The broken lines showing of environmental structure are for illustrative purposes only and form no part of the claimed design.

1 Claim, 6 Drawing Sheets



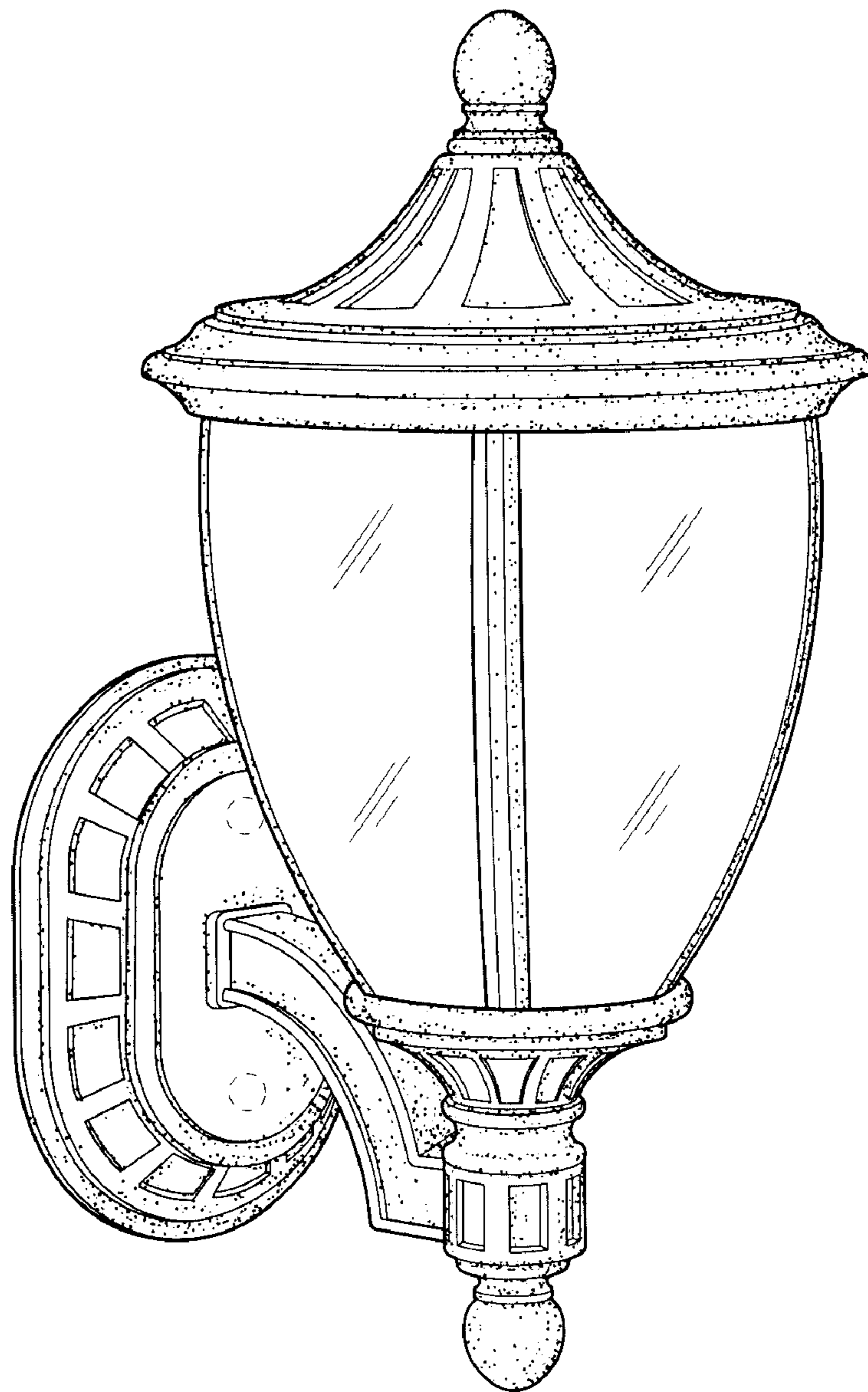


FIG. 1

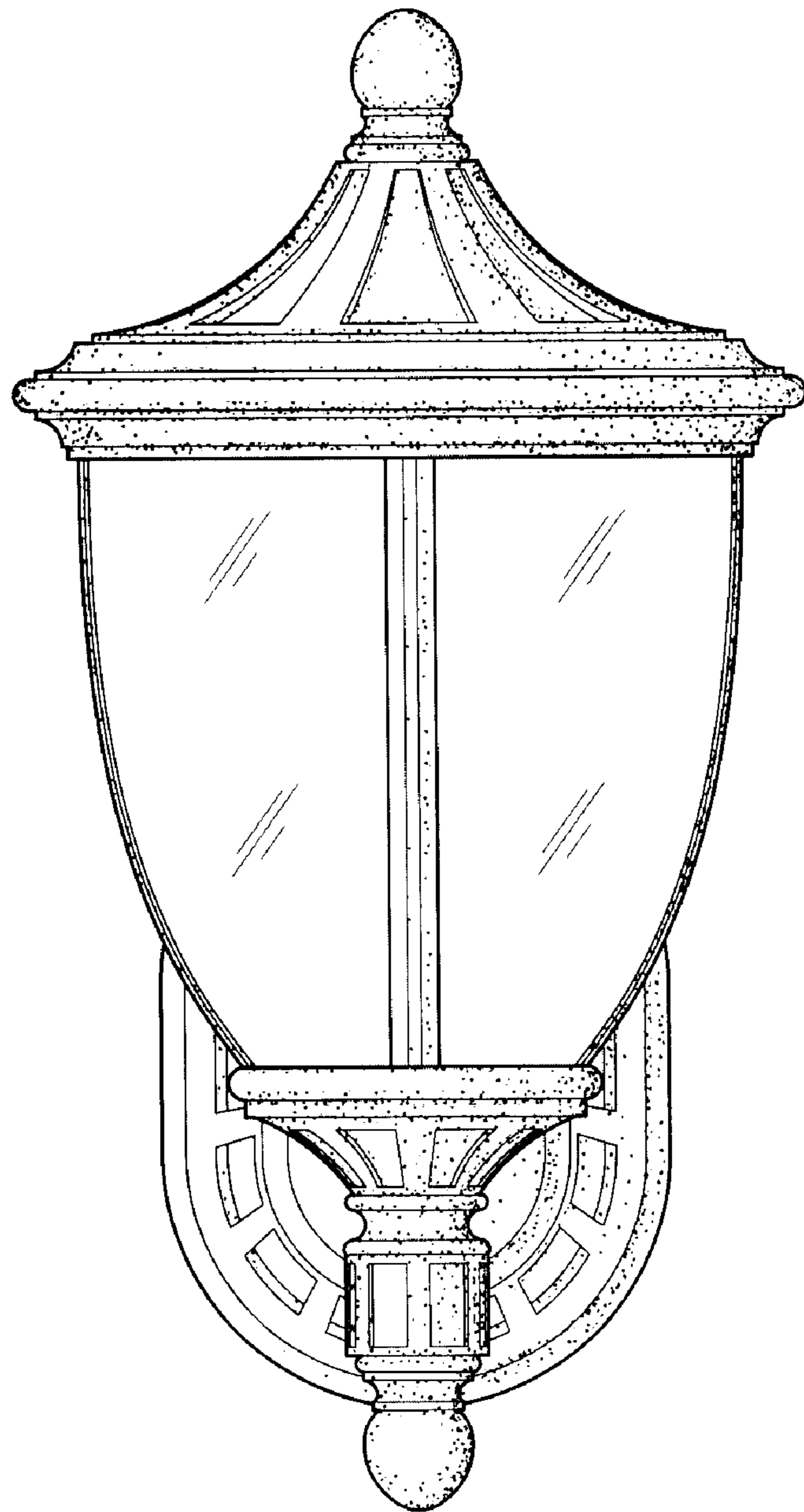


FIG. 2

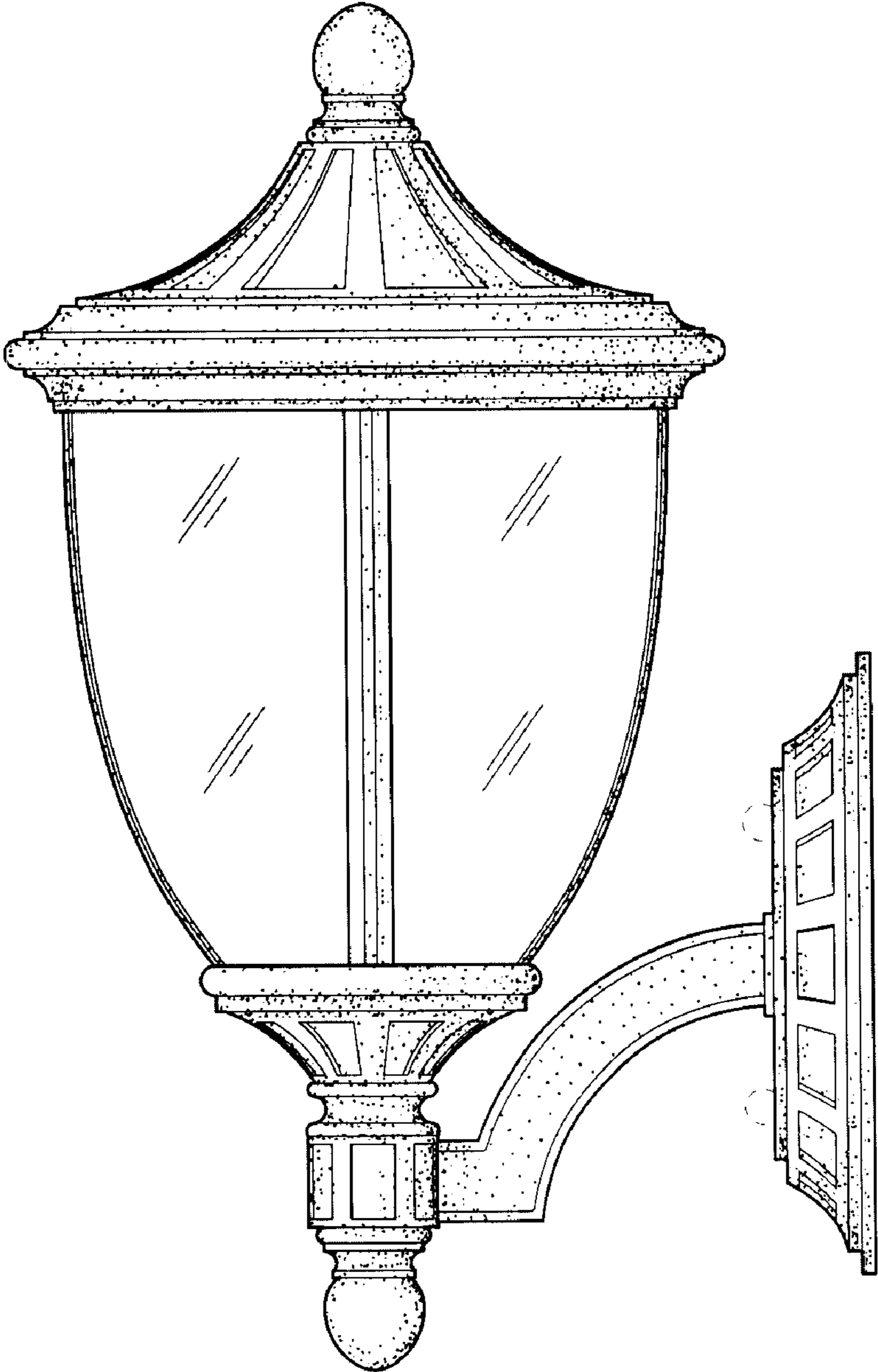


FIG. 3

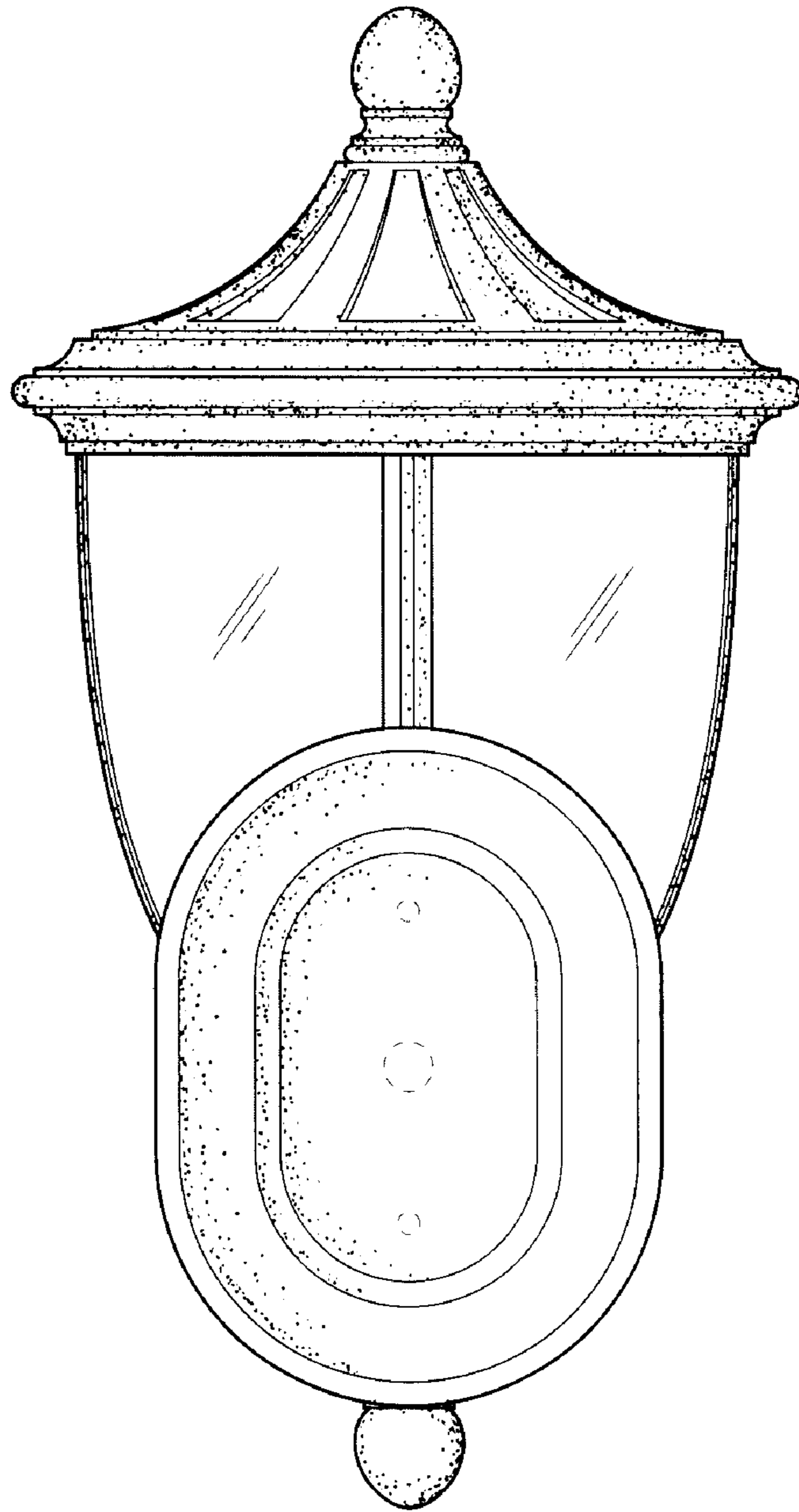


FIG. 4

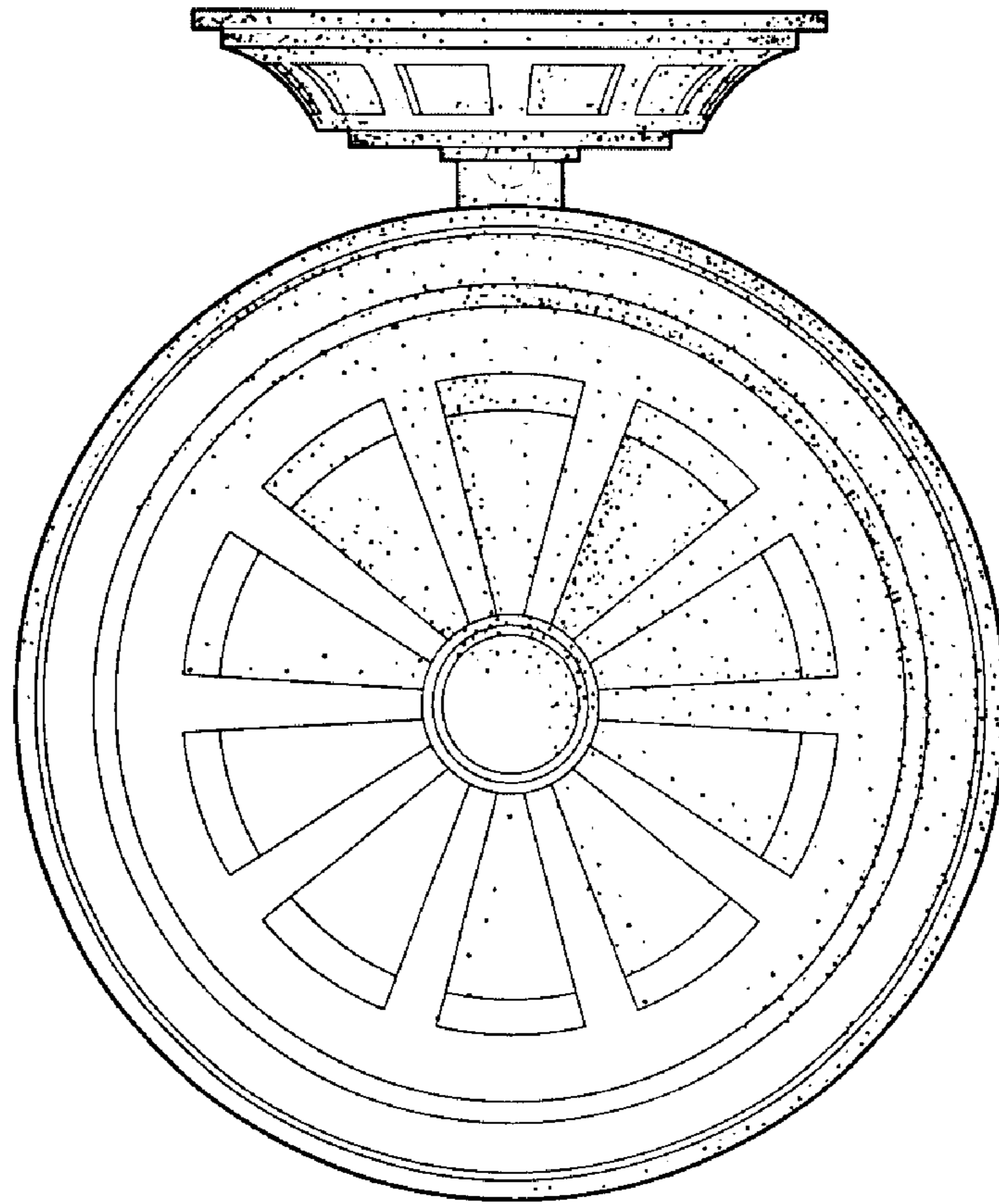


FIG. 5

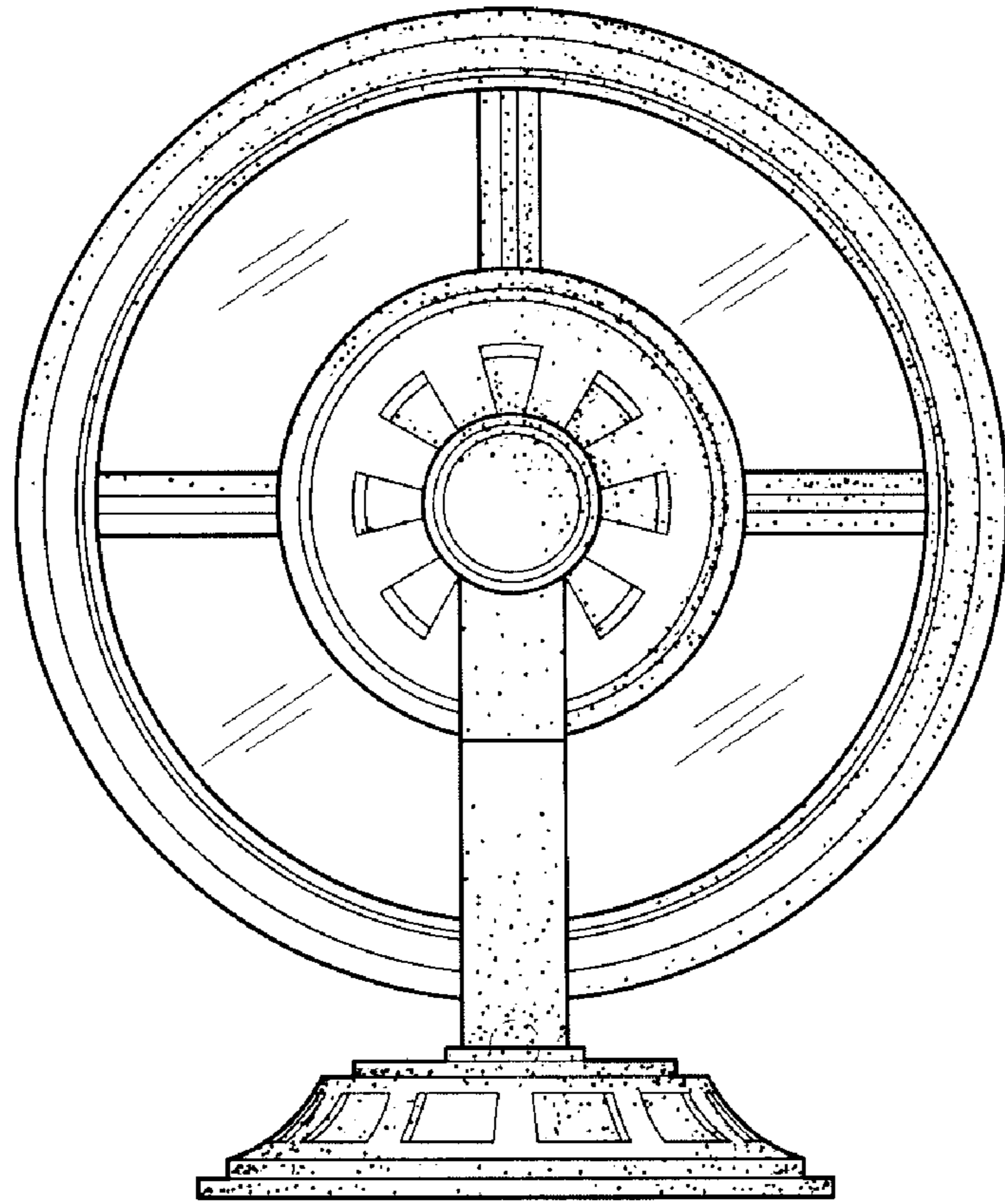


FIG. 6