

US00D541967S

(12) **United States Design Patent**  
**Rahir**

(10) **Patent No.:** **US D541,967 S**

(45) **Date of Patent:** **\*\* May 1, 2007**

(54) **LUMINAIRE**

(75) **Inventor:** **Yves Rahir**, Louvain-la-Neuve (BE)

(73) **Assignee:** **Financiere des Applications de l'Electricite S.A.**, Brussels (BE)

(\*\*) **Term:** **14 Years**

(21) **Appl. No.:** **29/215,233**

(22) **Filed:** **Oct. 15, 2004**

(30) **Foreign Application Priority Data**

Apr. 16, 2004 (EM) ..... 166863-0001/0004

(51) **LOC (8) Cl.** ..... **26-05**

(52) **U.S. Cl.** ..... **D26/67; D26/2**

(58) **Field of Classification Search** ..... D26/2-5,  
D26/67-72, 134; 362/147, 153, 153.1, 159,  
362/183, 363, 368, 431, 432  
See application file for complete search history.

(56) **References Cited**

**U.S. PATENT DOCUMENTS**

D47,218 S \* 4/1915 Bouchery ..... D26/67  
D196,981 S \* 11/1963 Pettengill ..... D26/67

D197,381 S \* 1/1964 Muller ..... D26/67  
D198,639 S \* 7/1964 Atkin et al. .... D26/67  
D227,925 S \* 7/1973 Husby et al. .... D26/67  
D284,311 S \* 6/1986 Patel ..... D26/67  
D529,652 S \* 10/2006 Hon et al. .... D26/67  
D530,034 S \* 10/2006 Hon et al. .... D26/67

\* cited by examiner

*Primary Examiner*—Clare E Heflin

(74) *Attorney, Agent, or Firm*—Kirschstein, et al.

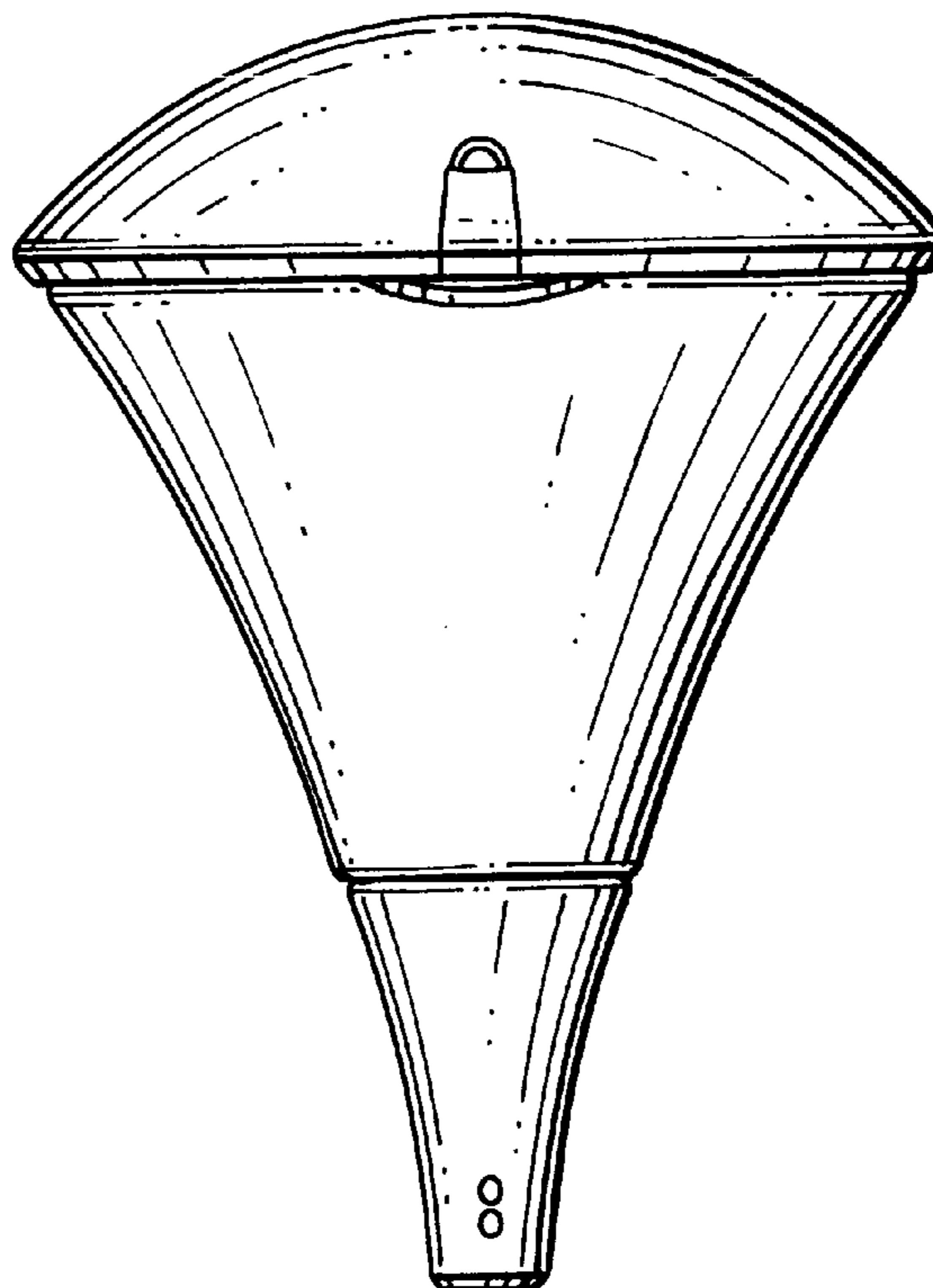
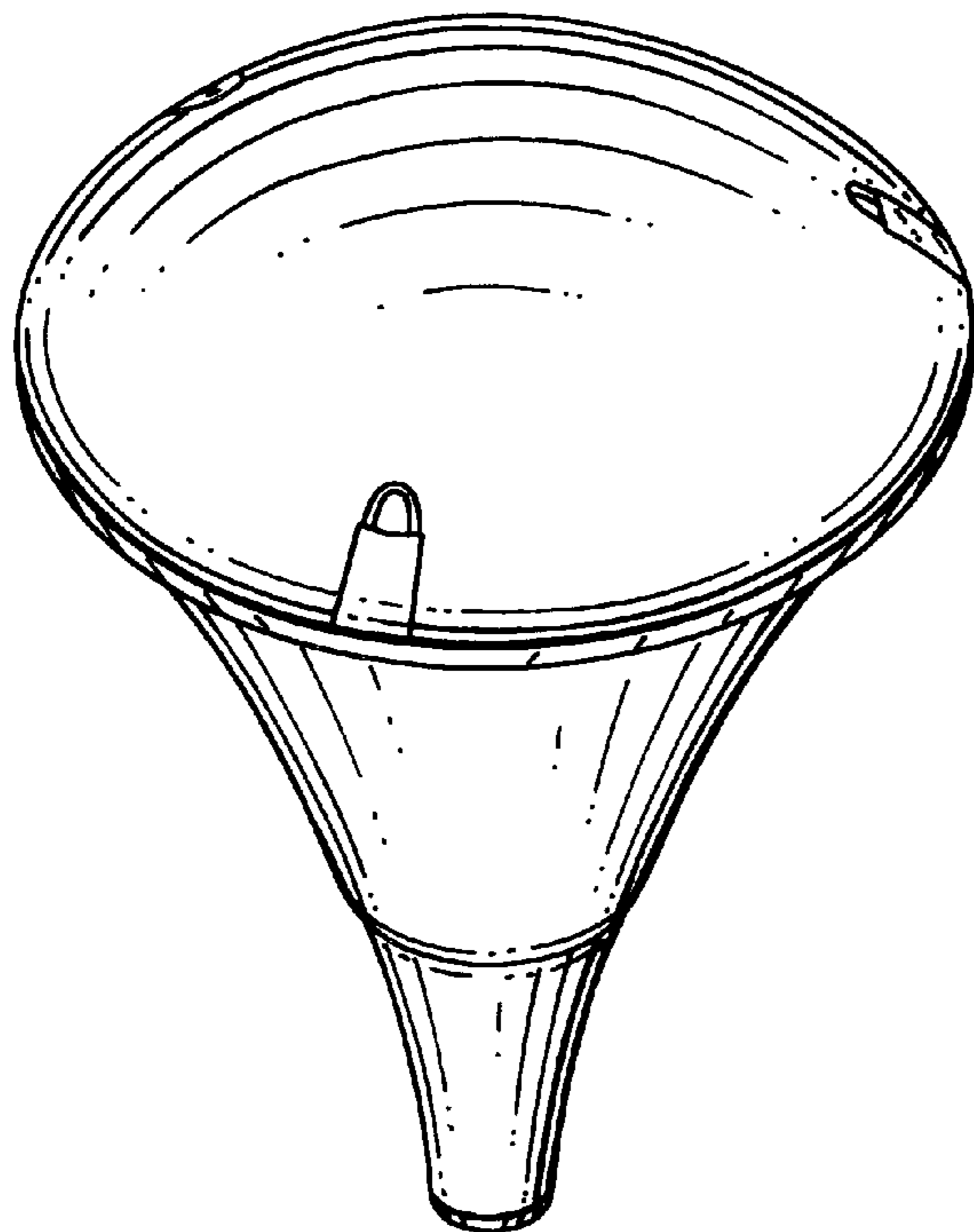
(57) **CLAIM**

The ornamental design for a luminaire, as shown and described.

**DESCRIPTION**

FIG. 1 is an upper perspective view showing my new design; FIG. 2 is a bottom perspective view thereof; FIG. 3 is a top plan view thereof; FIG. 4 is a bottom plan view thereof; FIG. 5 is a front elevational view thereof; FIG. 6 is a left side elevational view thereof, the right side elevation view being a mirror image; and, FIG. 7 is a rear elevational view thereof.

**1 Claim, 3 Drawing Sheets**



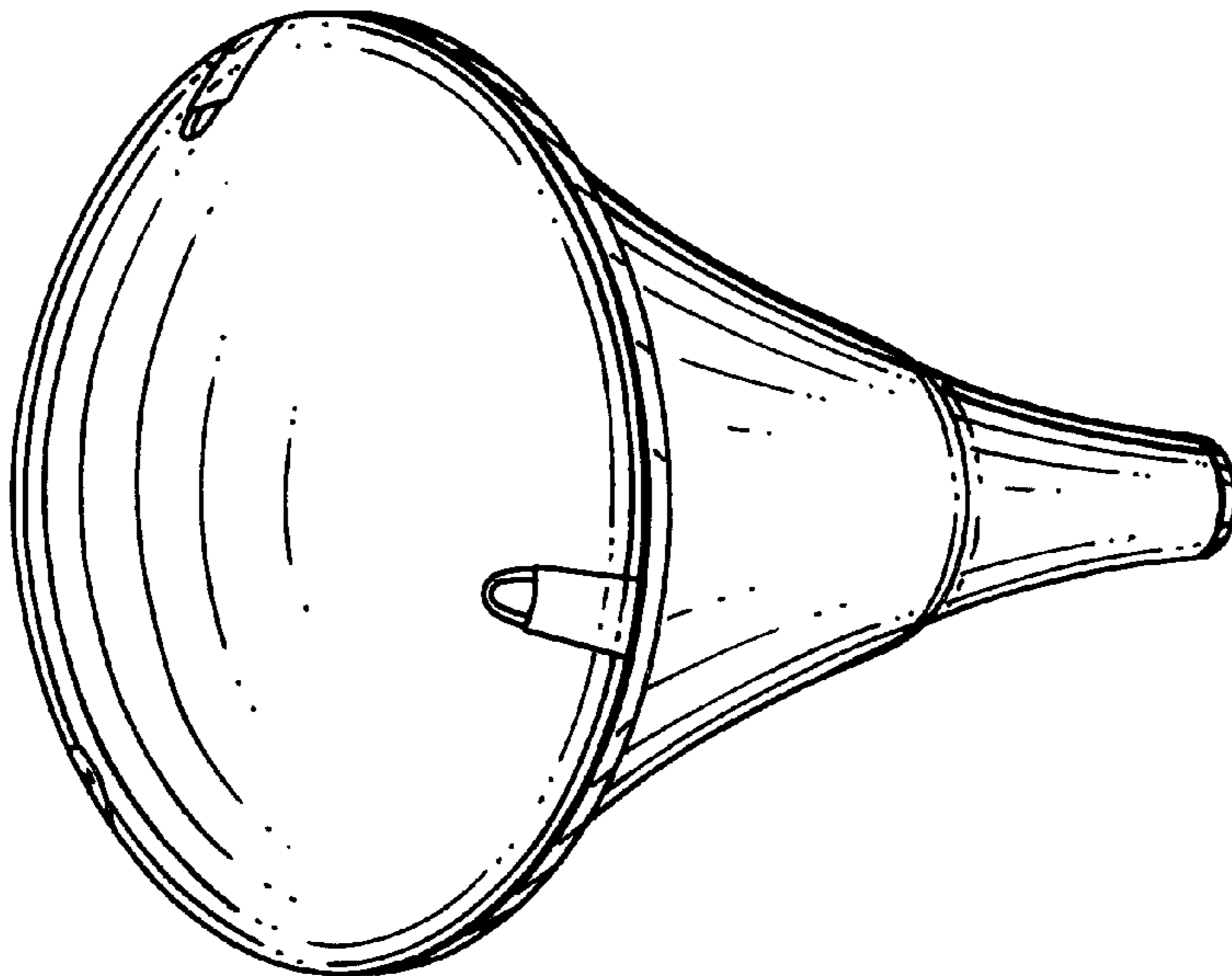


FIG. 1

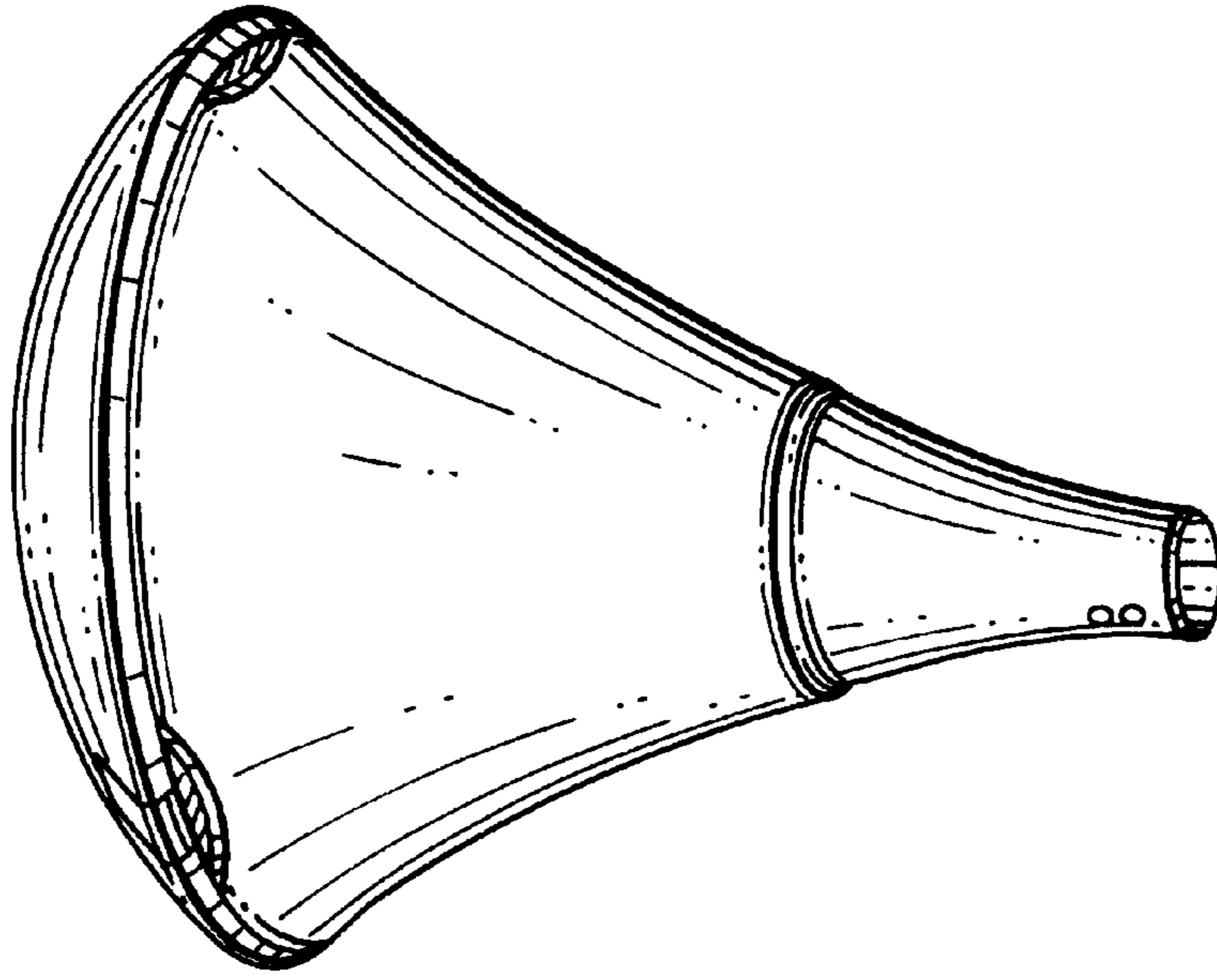


FIG. 2

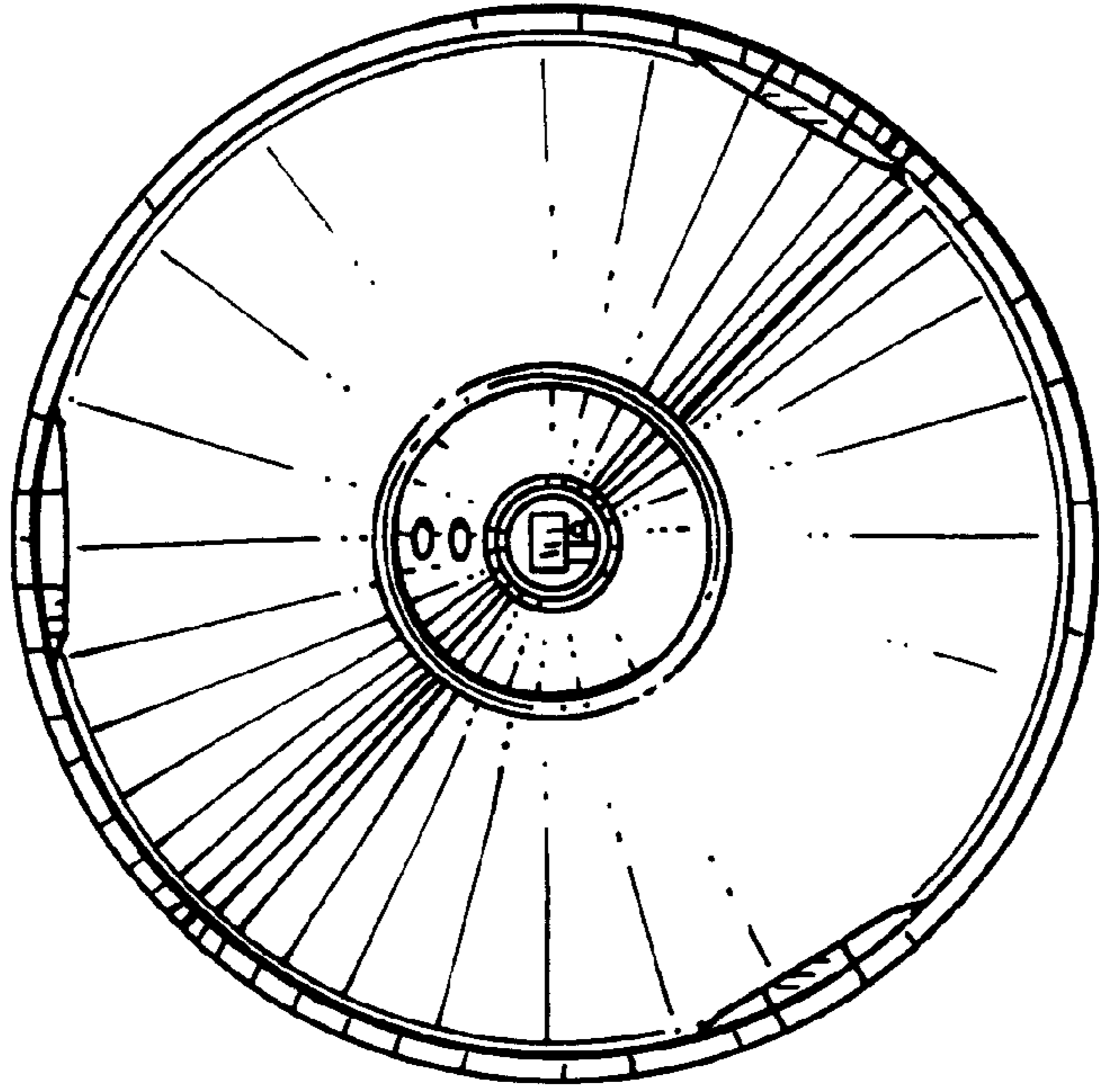


FIG. 4

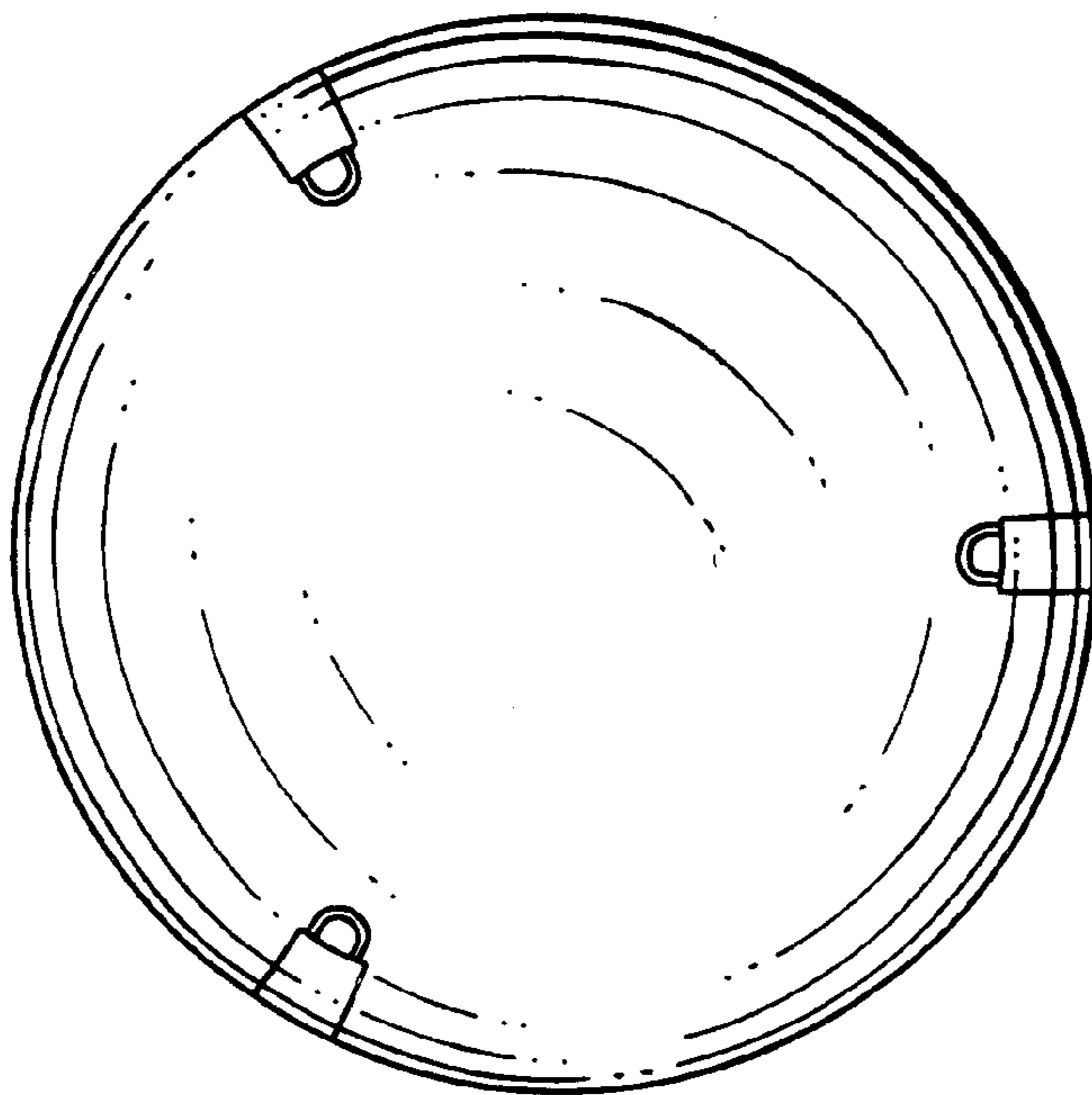


FIG. 3

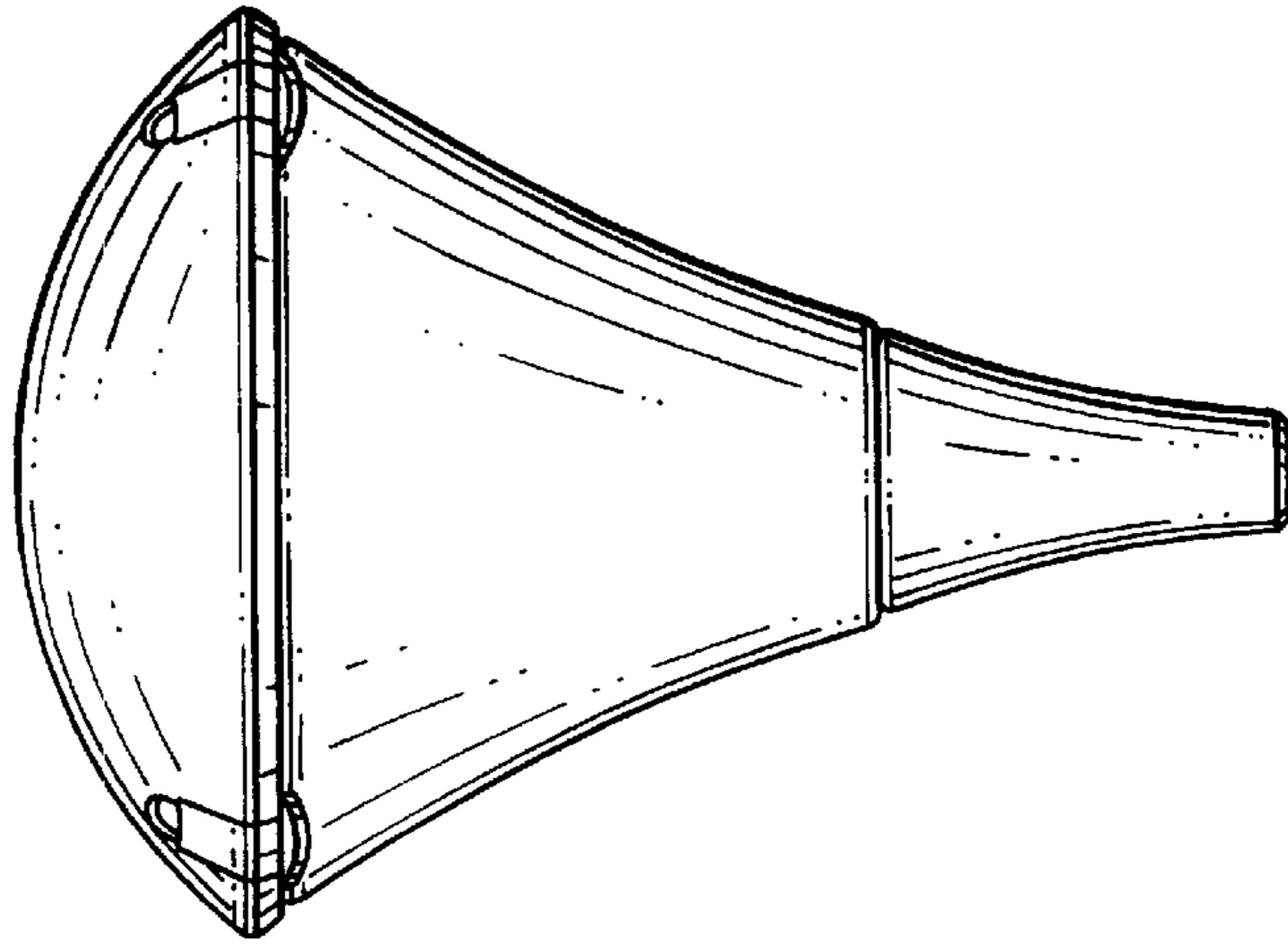


FIG. 7

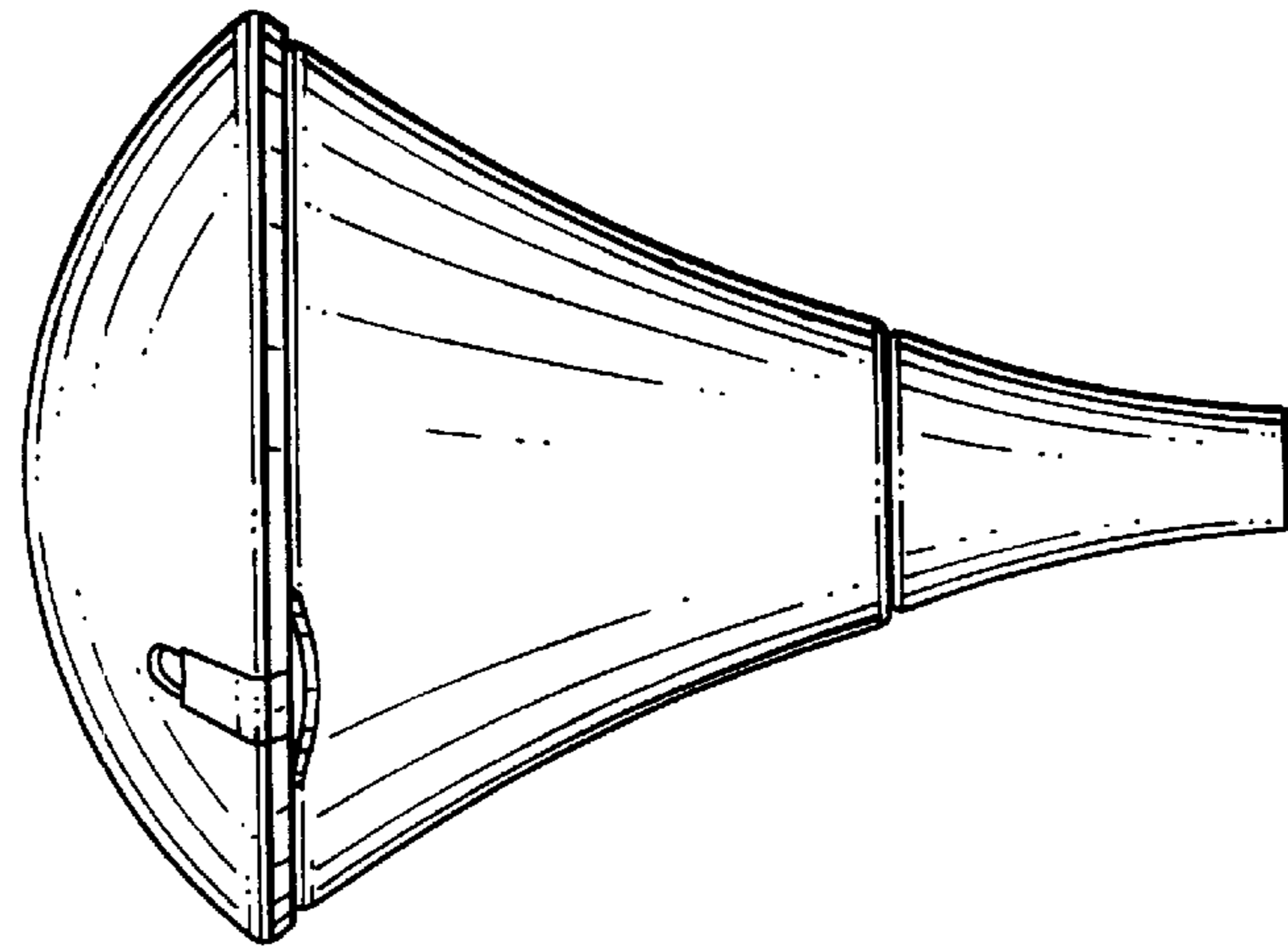


FIG. 6

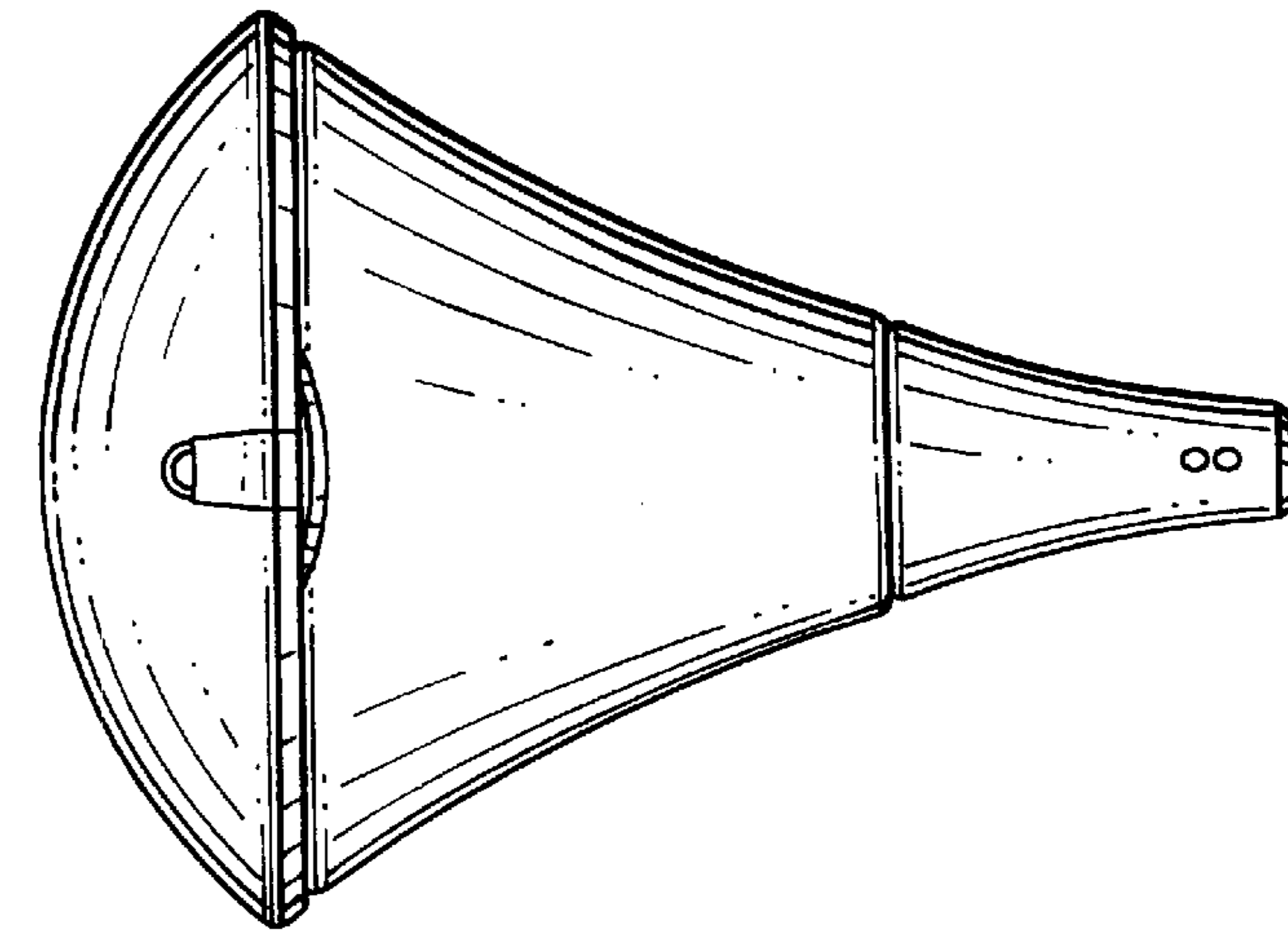


FIG. 5