

US00D541965S

(12) **United States Design Patent**
Shiu

(10) **Patent No.:** **US D541,965 S**

(45) **Date of Patent:** **** May 1, 2007**

(54) **CLIP LIGHT**

(75) **Inventor:** **Stephanie Wai Man Shiu, Kowloon (HK)**

(73) **Assignee:** **Gold Coral International Limited, San Po Kong, Kowloon (HK)**

(**) **Term:** **14 Years**

(21) **Appl. No.:** **29/253,676**

(22) **Filed:** **Feb. 10, 2006**

(30) **Foreign Application Priority Data**

Aug. 31, 2005 (HK) 0502017

(51) **LOC (8) Cl.** **26-05**

(52) **U.S. Cl.** **D26/60; D26/61; D26/63**

(58) **Field of Classification Search** **D26/37, D26/43, 44, 60-63, 65, 39; 362/98, 99, 109-114, 362/191, 197, 198, 287, 427, 396**

See application file for complete search history.

(56) **References Cited**

U.S. PATENT DOCUMENTS

3,906,216 A * 9/1975 Eriksson 362/105

4,967,323 A	*	10/1990	Johnson et al.	362/103
5,558,428 A	*	9/1996	Lehrer et al.	362/105
D445,931 S	*	7/2001	Shiu	D26/39
D447,586 S	*	9/2001	Shing	D26/39
D482,471 S	*	11/2003	Shiu	D26/39
D519,662 S	*	4/2006	Mullen	D26/61
D524,975 S	*	7/2006	Oas	D26/60
2003/0021105 A1	*	1/2003	Cramer et al.	362/105

* cited by examiner

Primary Examiner—Clare E Heflin

(74) *Attorney, Agent, or Firm*—Joseph G. Swan, PC

(57) **CLAIM**

The ornamental design for a clip light, as shown and described.

DESCRIPTION

FIG. 1 is a top plan view of a clip light according to the present invention.

FIG. 2 is a bottom plan view of the clip light.

FIG. 3 is a rear elevational view of the clip light.

FIG. 4 is a front elevational view of the clip light.

FIG. 5 is a right side elevational view of the clip light; and,

FIG. 6 is a left side elevational view of the clip light.

1 Claim, 2 Drawing Sheets

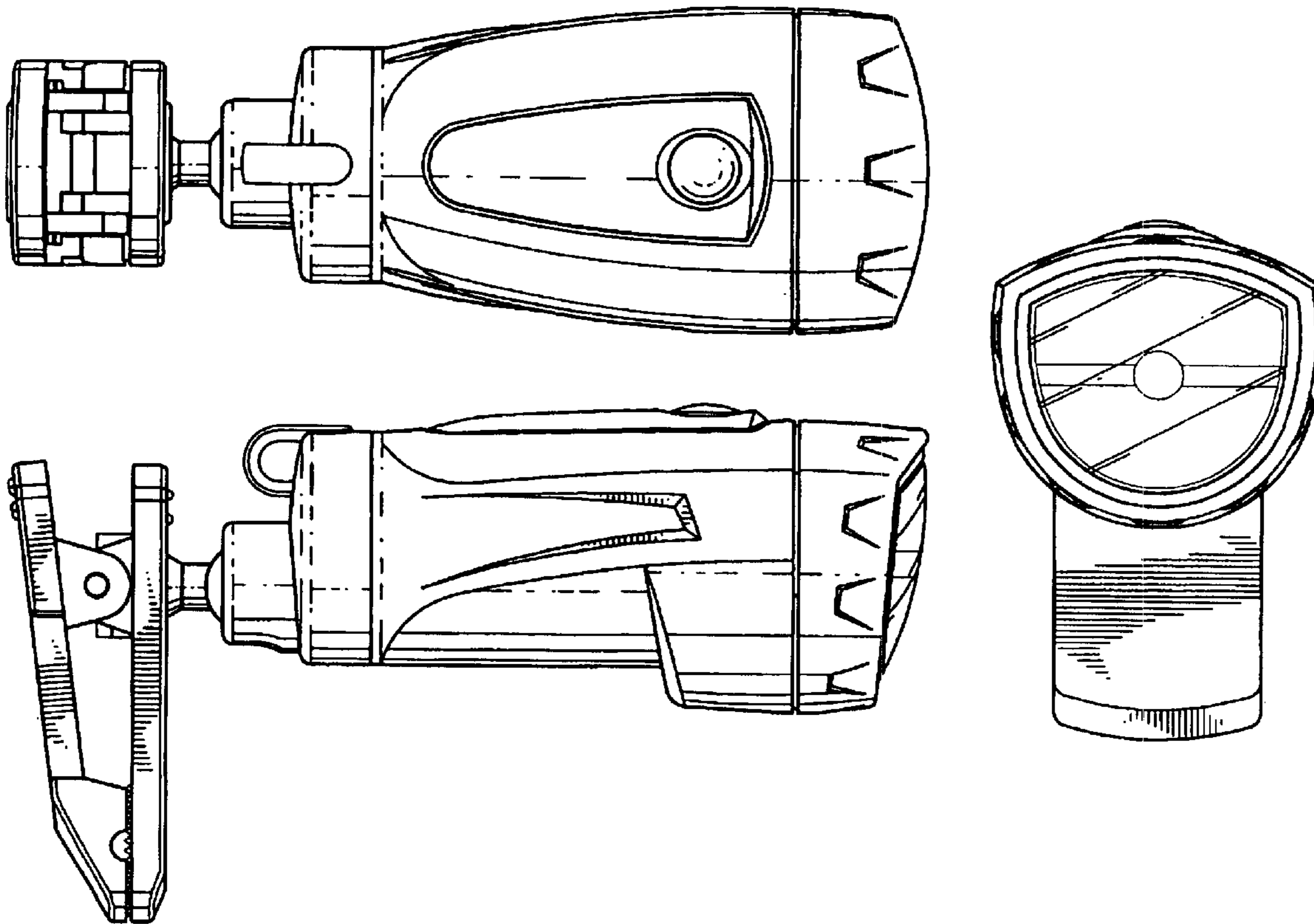


FIG. 1

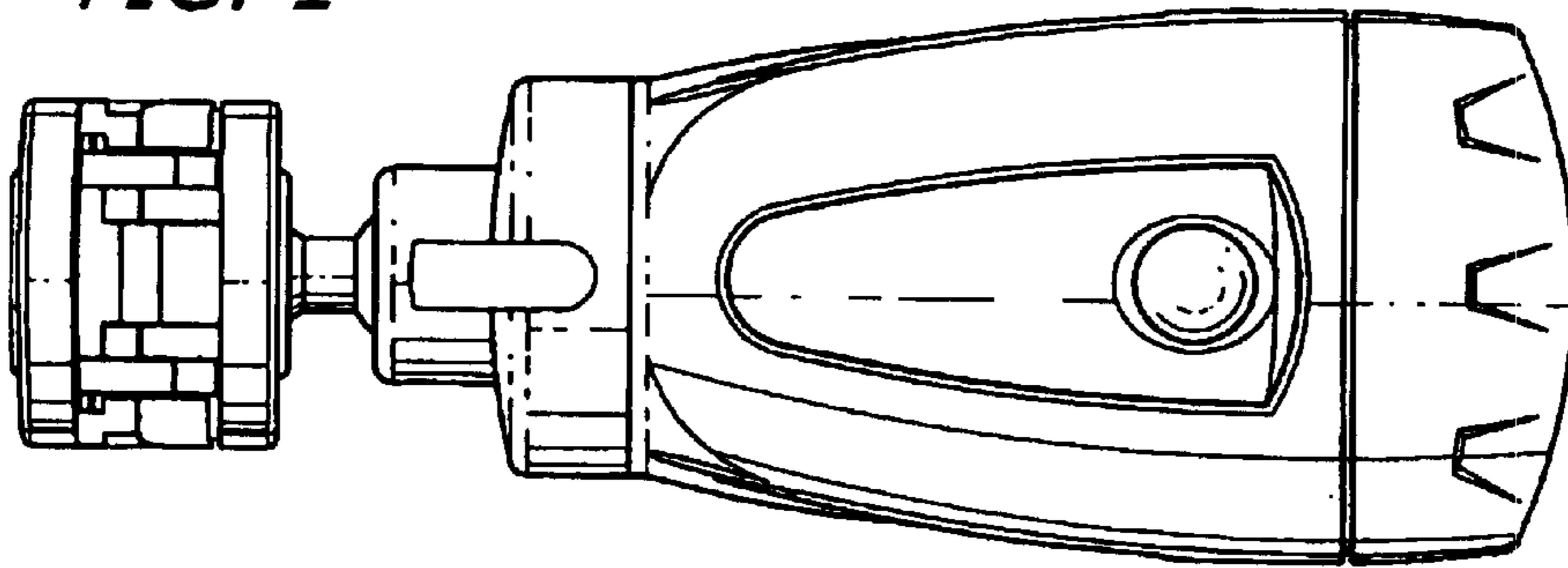


FIG. 2

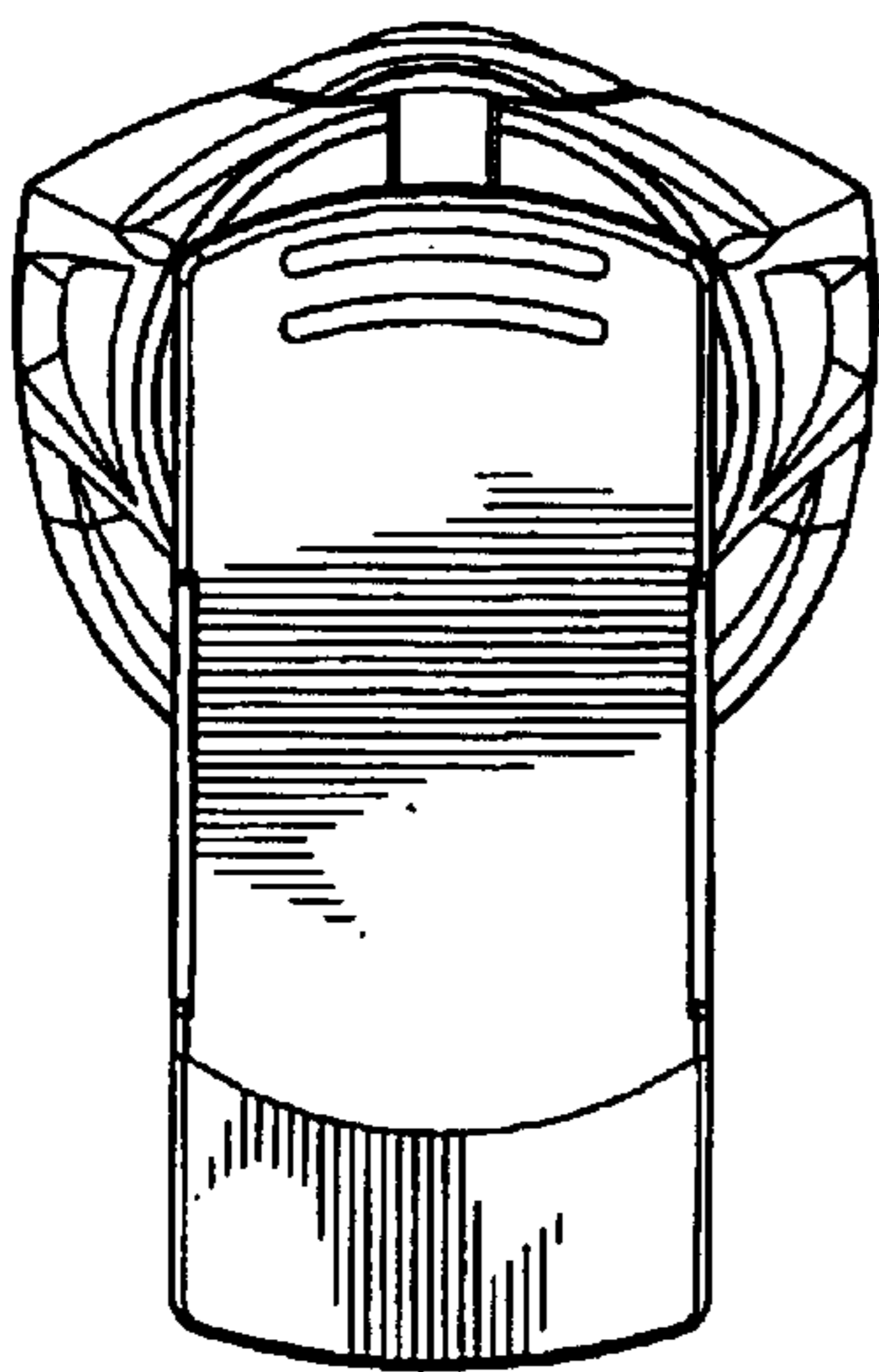
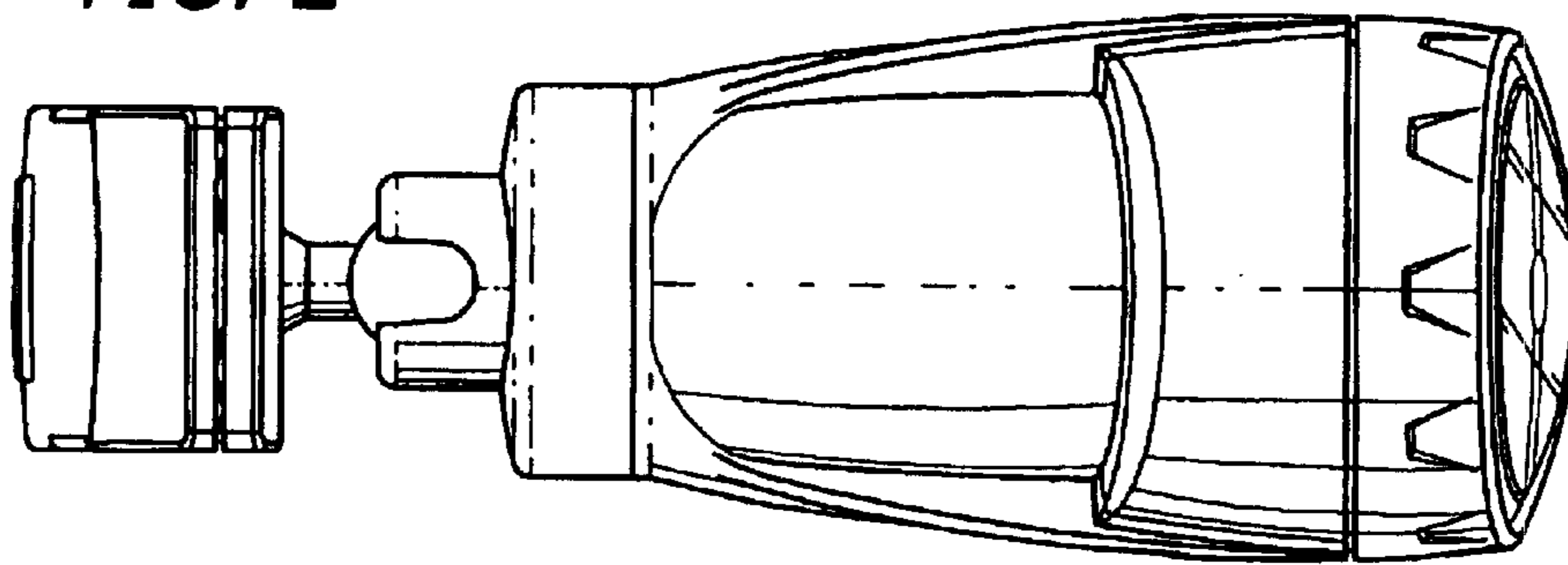


FIG. 3

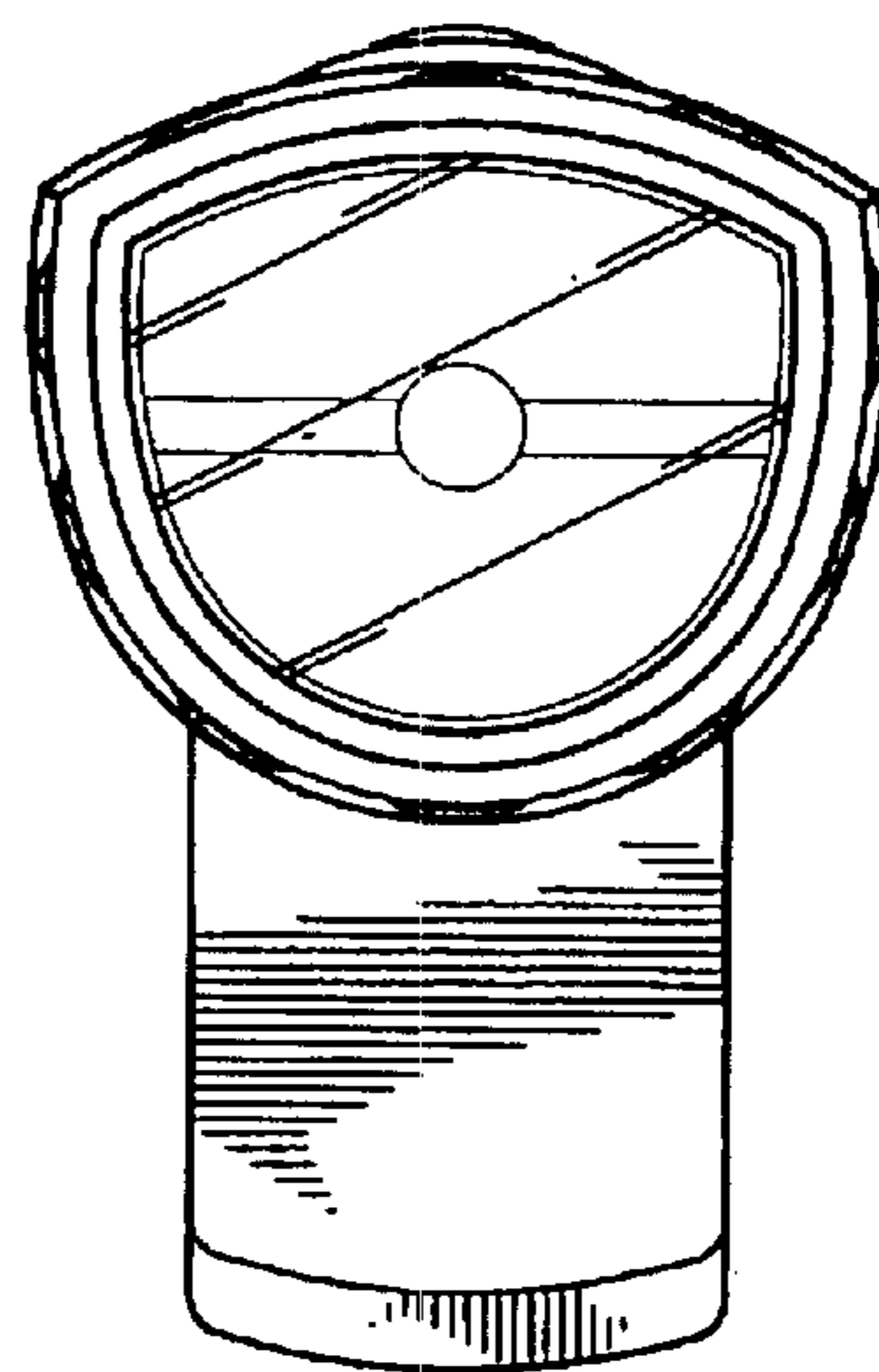


FIG. 4

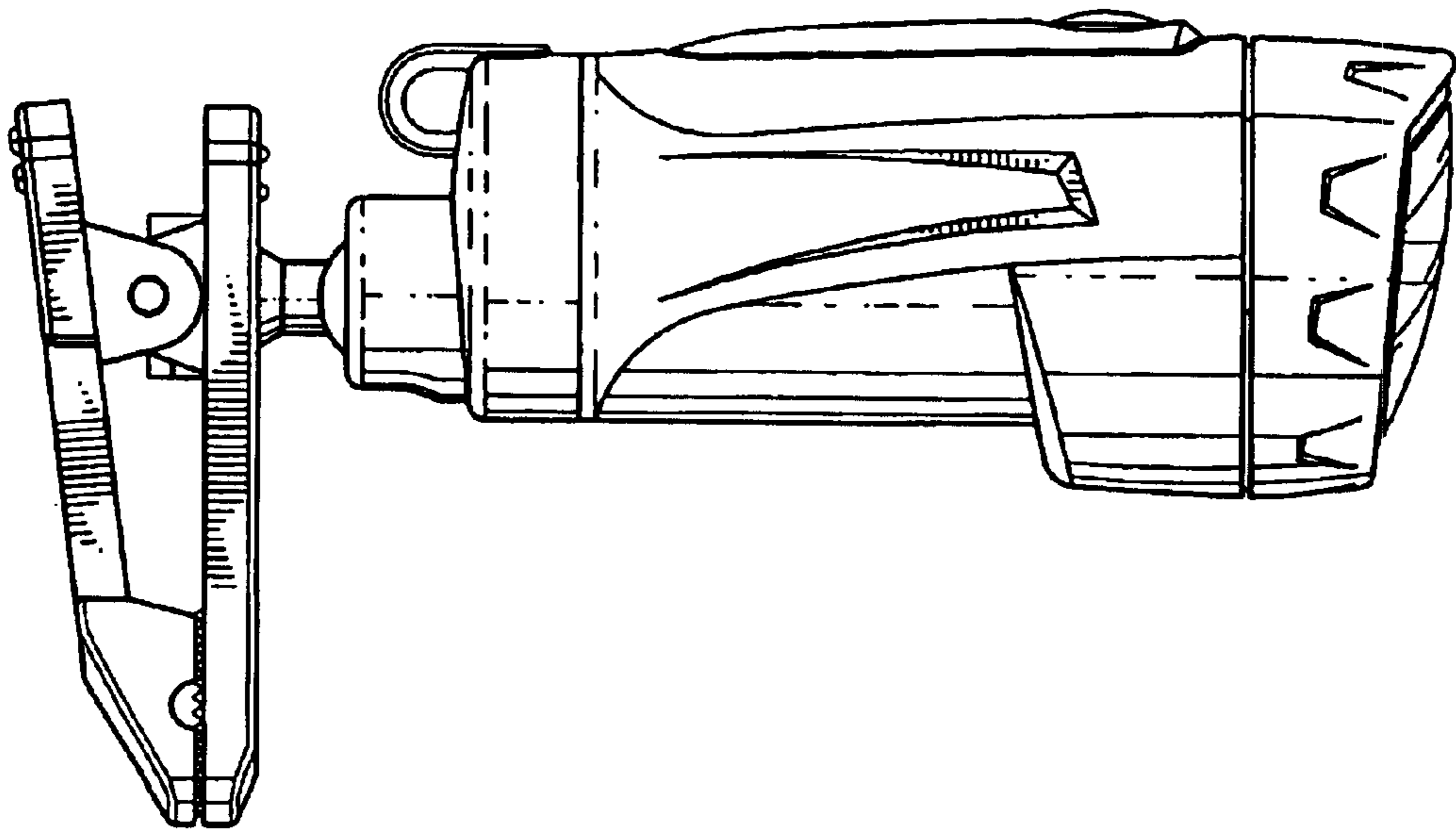


FIG. 5

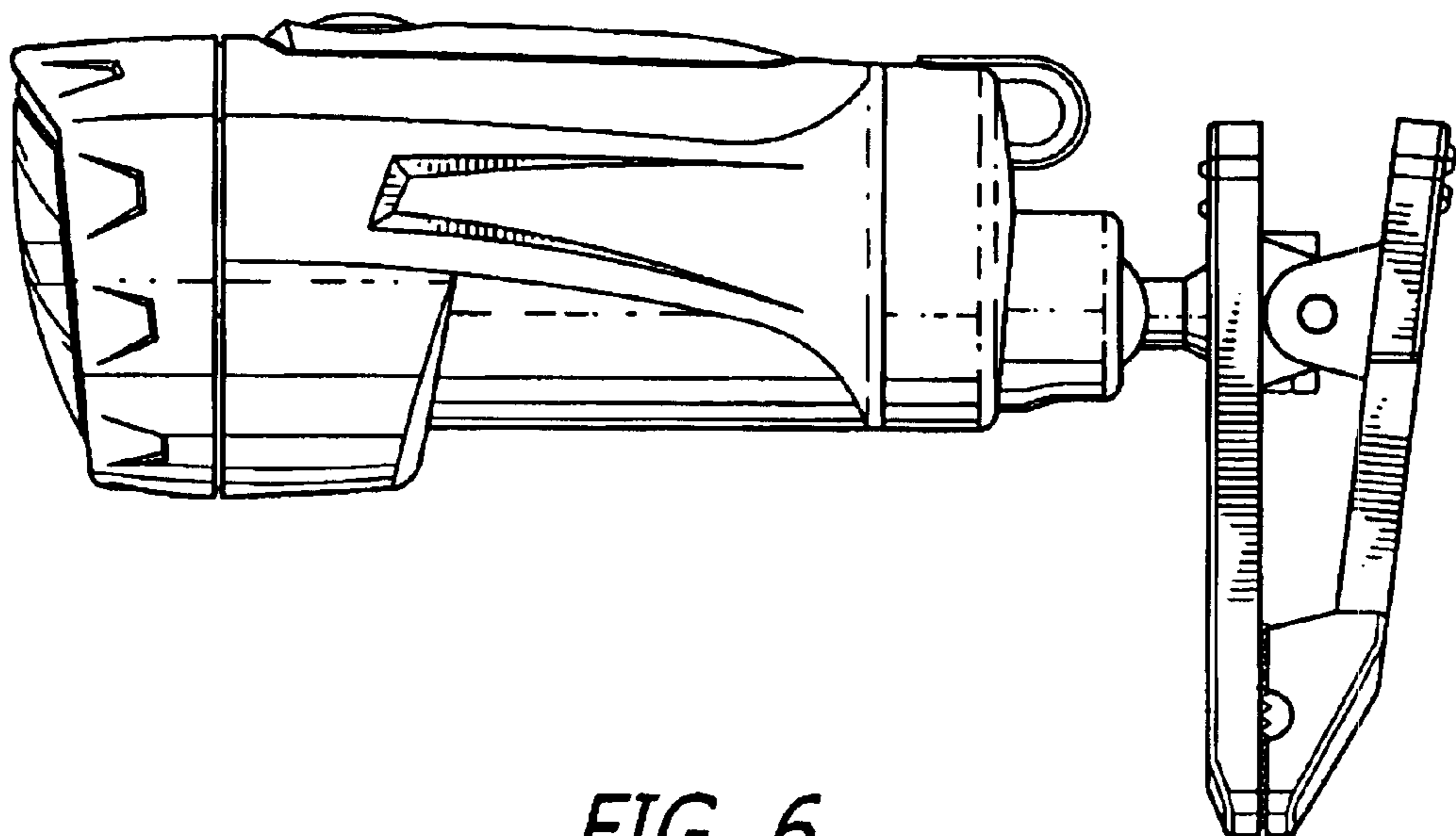


FIG. 6