

US00D541963S

(12) **United States Design Patent** (10) **Patent No.:** **US D541,963 S**  
**Gustafson et al.** (45) **Date of Patent:** **\*\* May 1, 2007**

(54) **FLASHLIGHT**

(75) Inventors: **Derek G. Gustafson**, Bozeman, MT (US); **Matt M. McCune**, Bozeman, MT (US); **Eric M. Yeates**, Virginia Beach, VA (US)

(73) Assignee: **Blackhawk Industries Product Group Unlimited LLC**, Chesapeake, VA (US)

(\*\*) Term: **14 Years**

(21) Appl. No.: **29/260,568**

(22) Filed: **May 26, 2006**

(51) **LOC (8) Cl.** ..... **26-02**

(52) **U.S. Cl.** ..... **D26/49**

(58) **Field of Classification Search** ..... D26/37-50;  
362/157, 158, 171-174, 183-208  
See application file for complete search history.

(56) **References Cited**

**U.S. PATENT DOCUMENTS**

D344,811 S	*	3/1994	Garrity	.....	D26/49
D356,175 S	*	3/1995	Yau	.....	D26/49
D363,564 S	*	10/1995	Kish et al.	.....	D26/49
D425,231 S	*	5/2000	Lynch et al.	.....	D26/49
D521,670 S	*	5/2006	Kung	.....	D26/49

\* cited by examiner

*Primary Examiner*—Marcus A. Jackson  
(74) *Attorney, Agent, or Firm*—Bowman Green Hampton & Kelly, PLLC

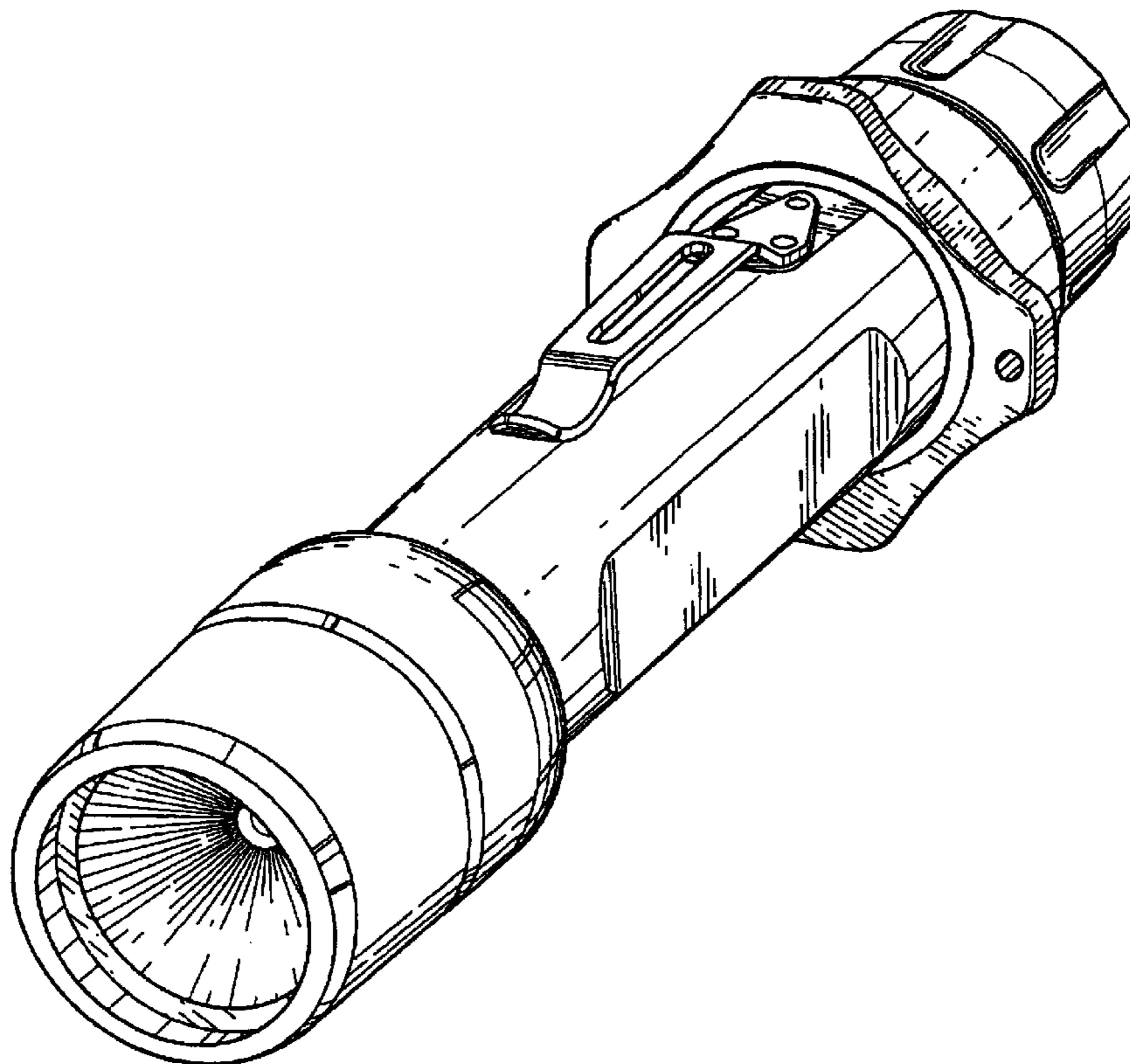
(57) **CLAIM**

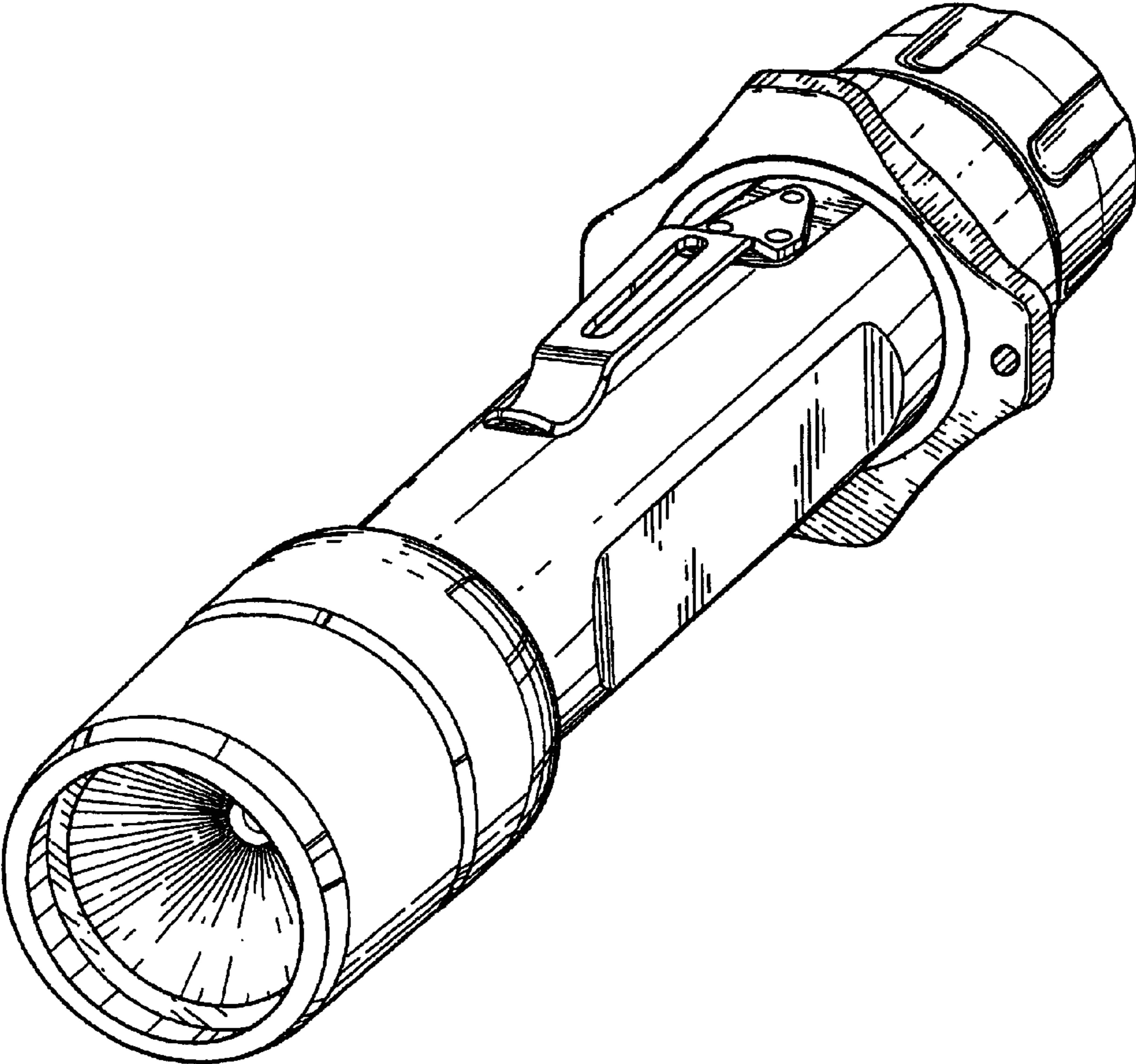
The ornamental design for a flashlight, as shown and described.

**DESCRIPTION**

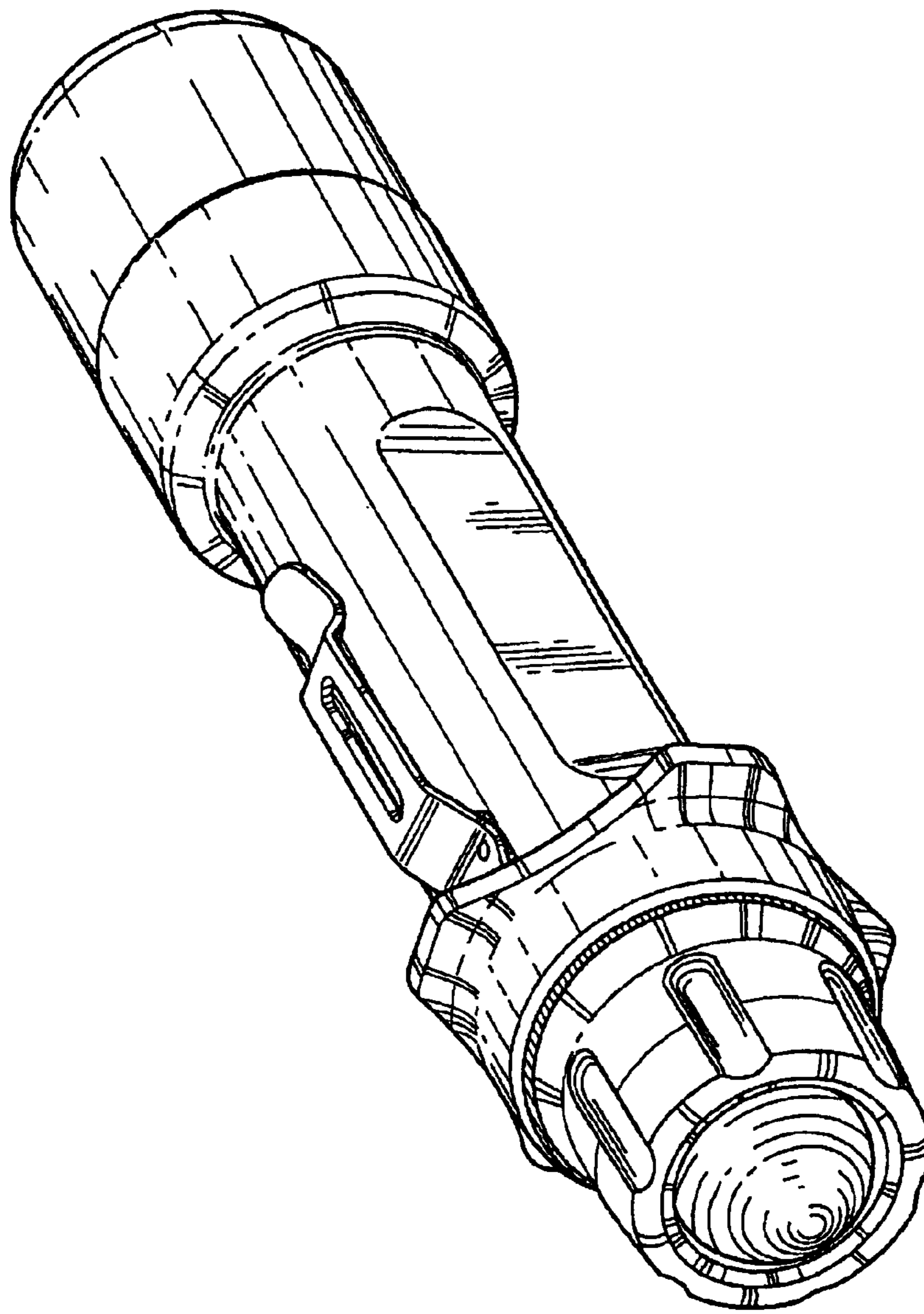
FIG. 1 is a top perspective view of one embodiment of a flashlight, showing our new design;  
FIG. 2 is a bottom perspective view thereof;  
FIG. 3 is a front view thereof;  
FIG. 4 is a back view thereof;  
FIG. 5 is a right side view thereof;  
FIG. 6 is a left side view thereof;  
FIG. 7 is a top view thereof;  
FIG. 8 is a bottom view thereof;  
FIG. 9 is a front view of a second embodiment of the flashlight, showing our new design;  
FIG. 10 is a right side view of the embodiment of FIG. 9;  
FIG. 11 is a front view of the embodiment of FIG. 3, wherein the optional anti-roll device is removed; and,  
FIG. 12 is a front view of the embodiment of FIG. 9, wherein the optional anti-roll device is removed.

**1 Claim, 7 Drawing Sheets**

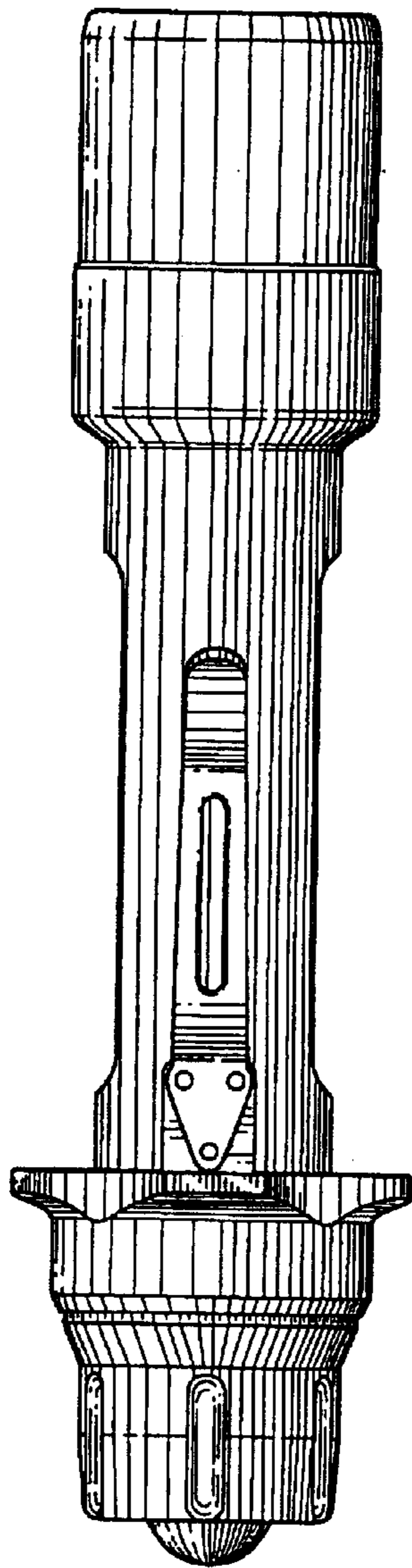




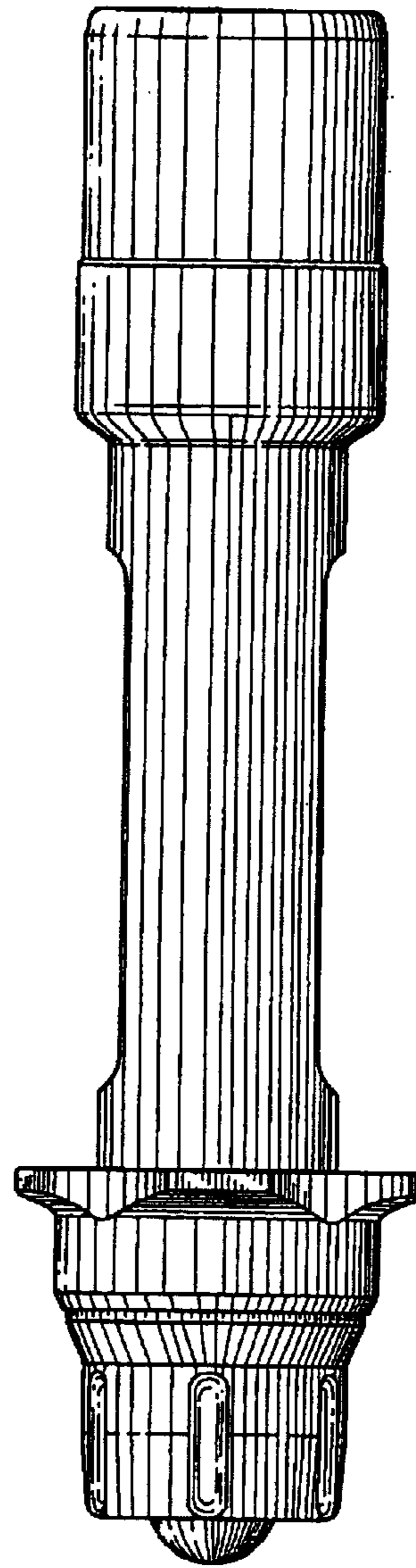
*Fig. 1*



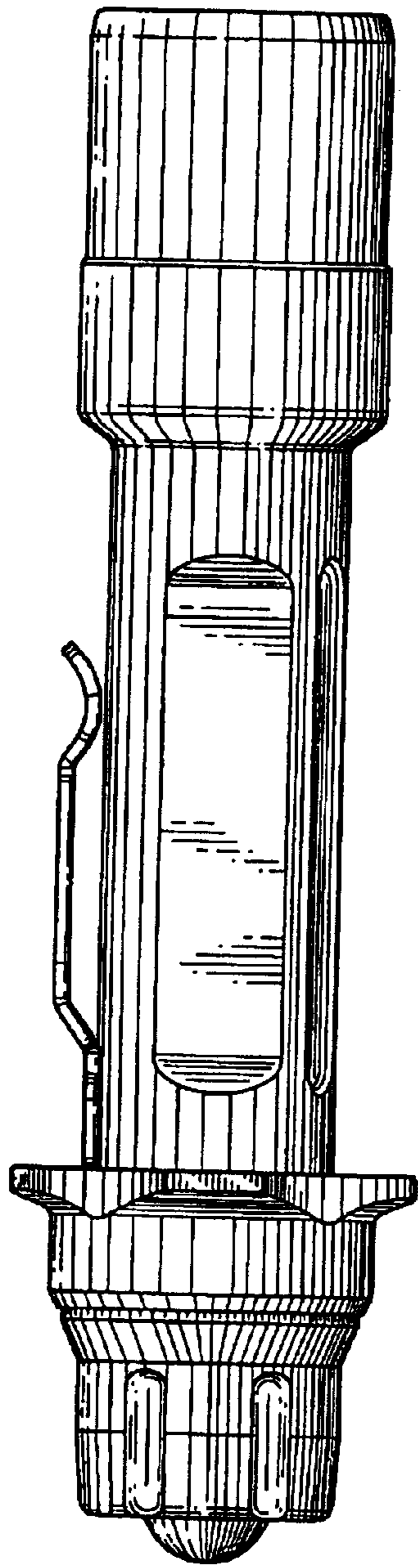
*Fig. 2*



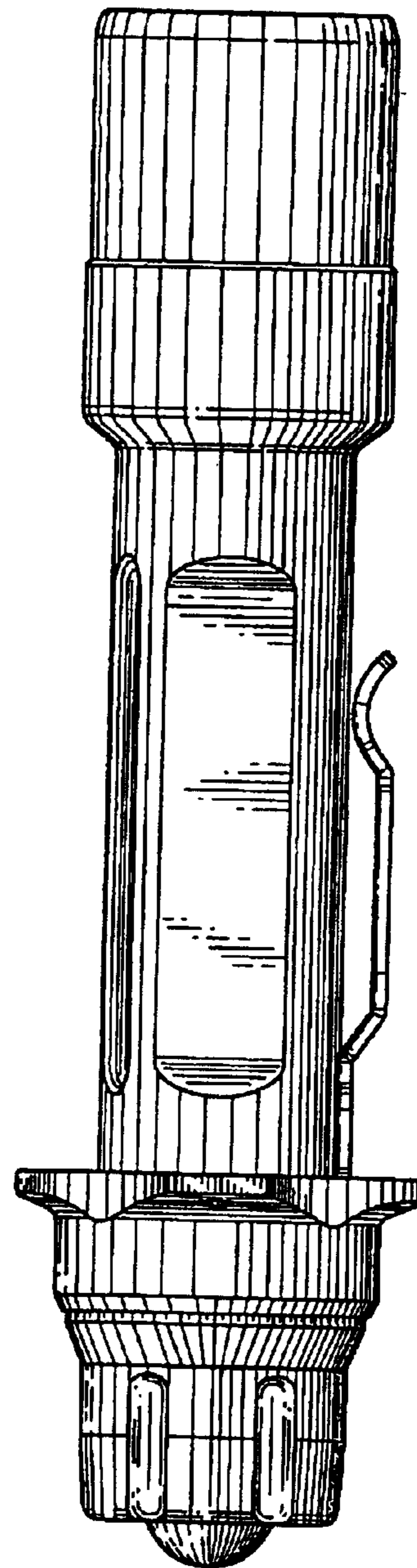
*Fig. 3*



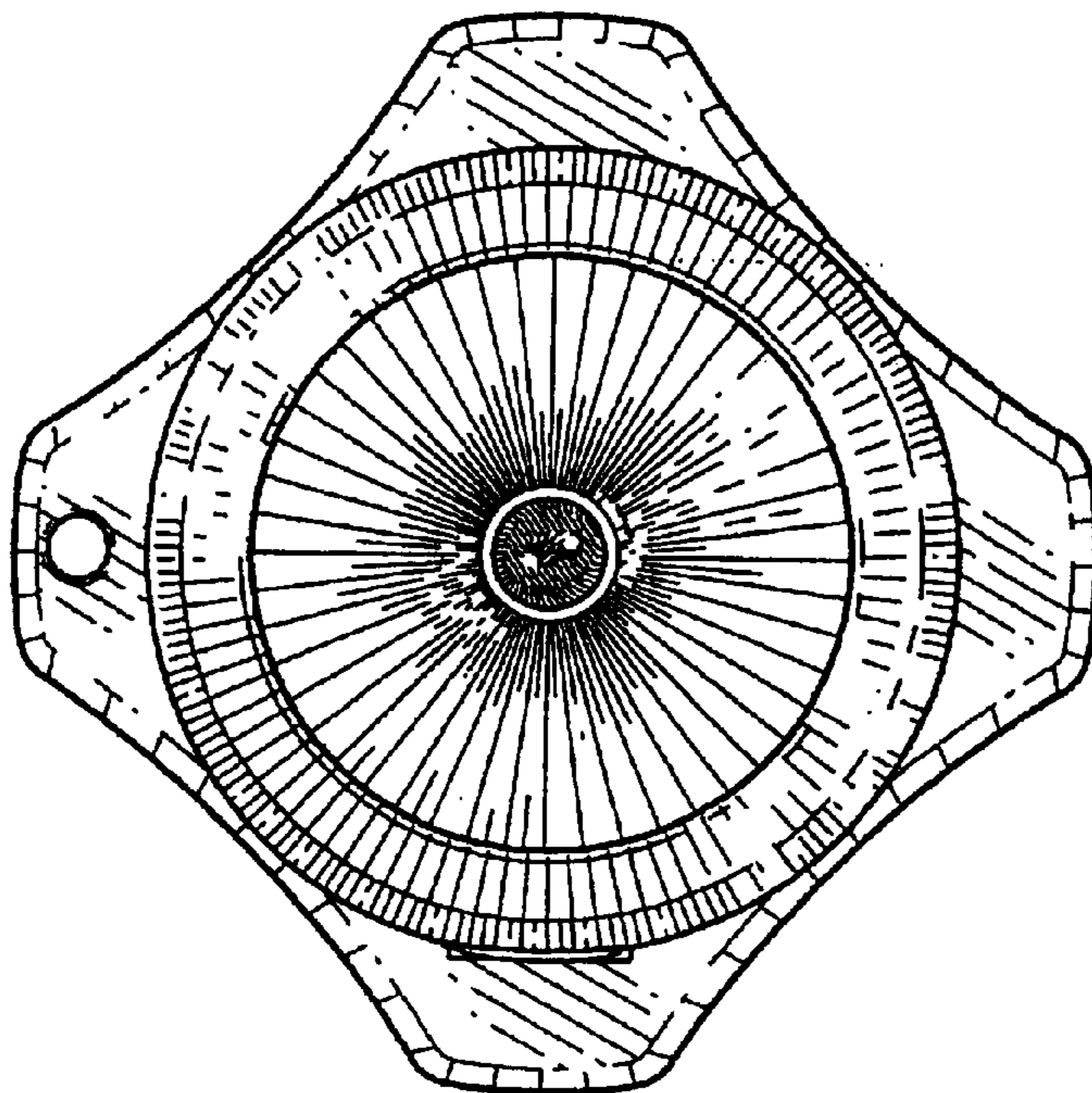
*Fig. 4*



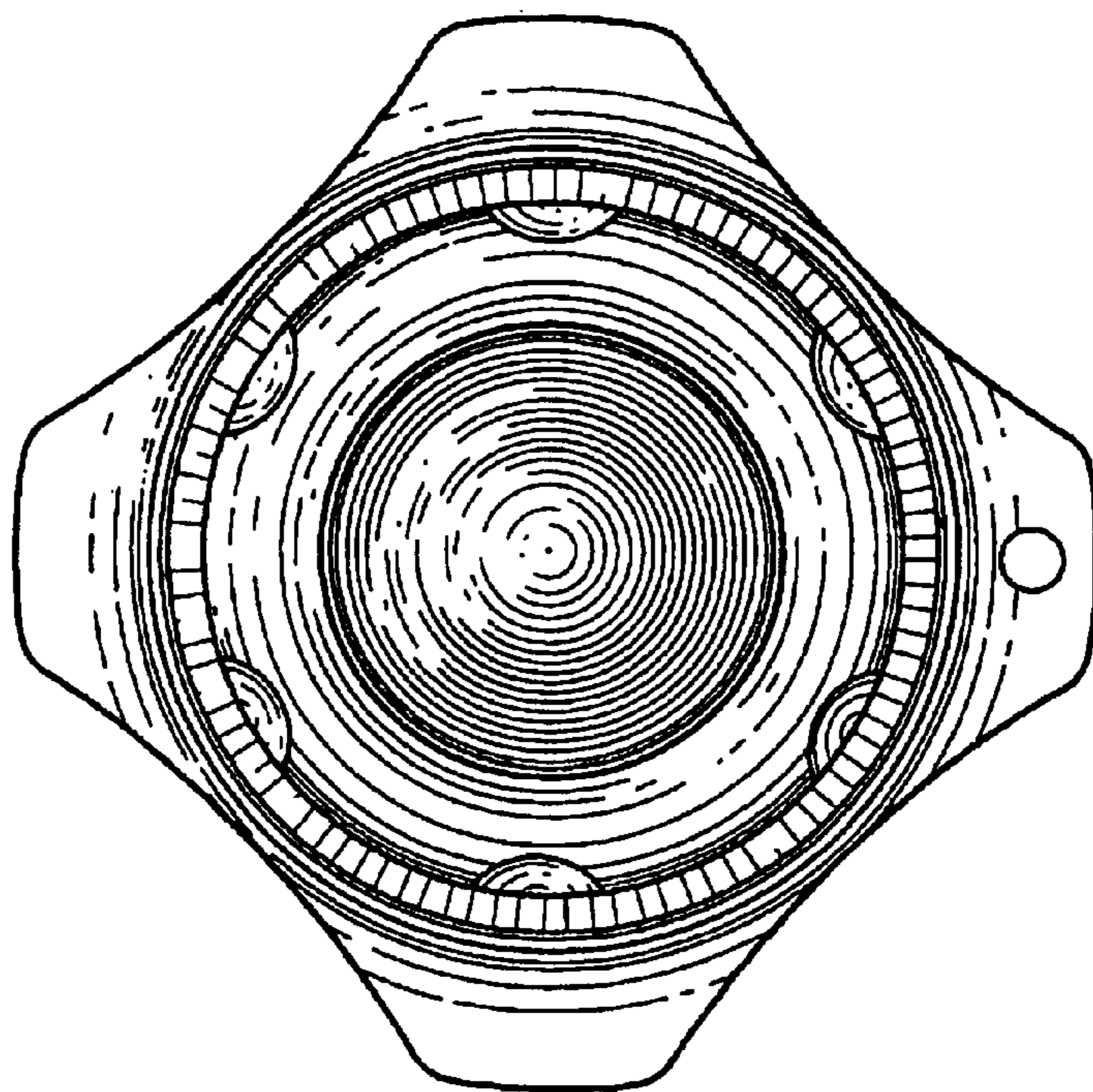
*Fig. 5*



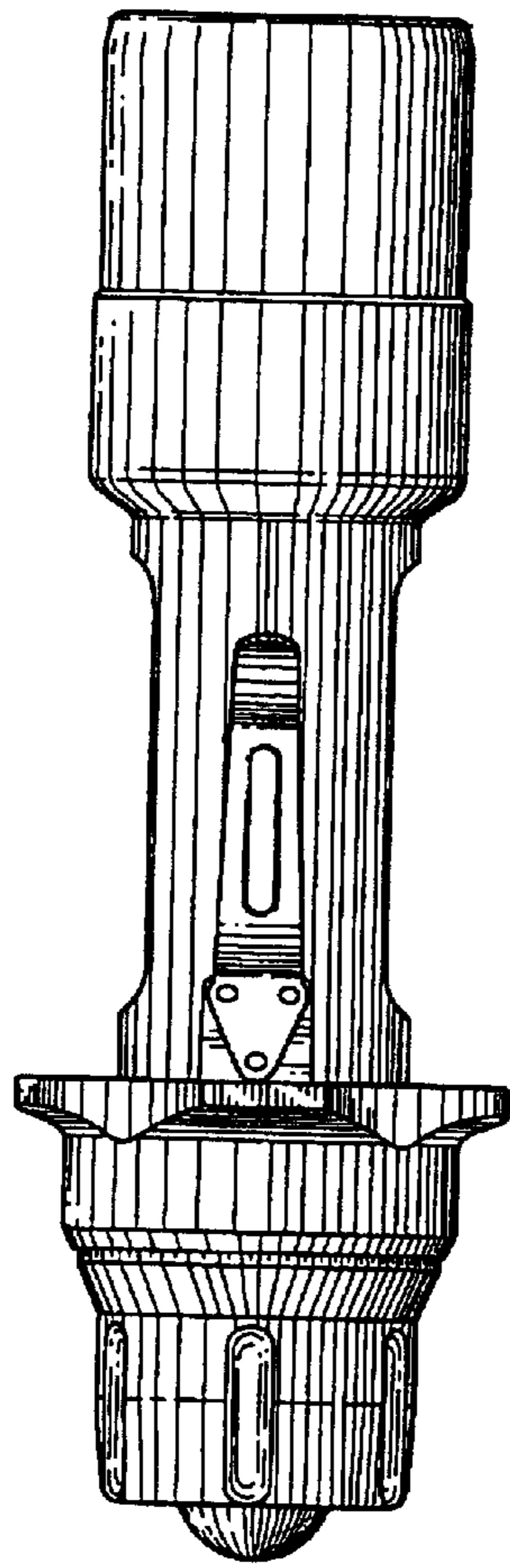
*Fig. 6*



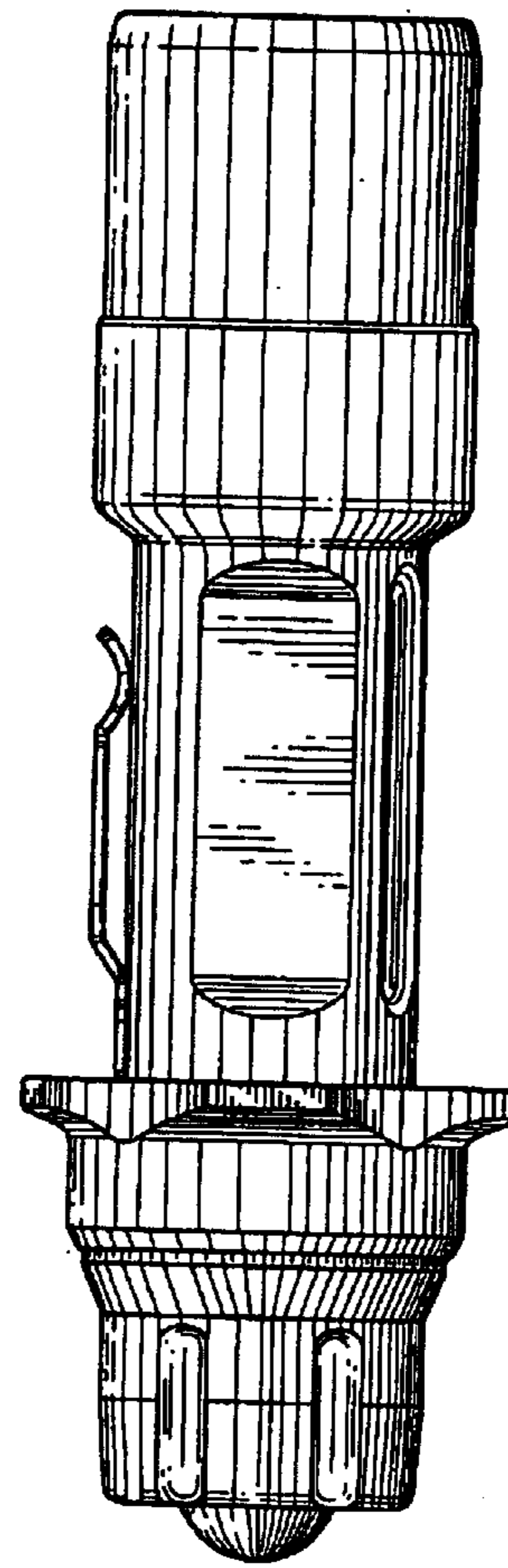
*Fig. 7*



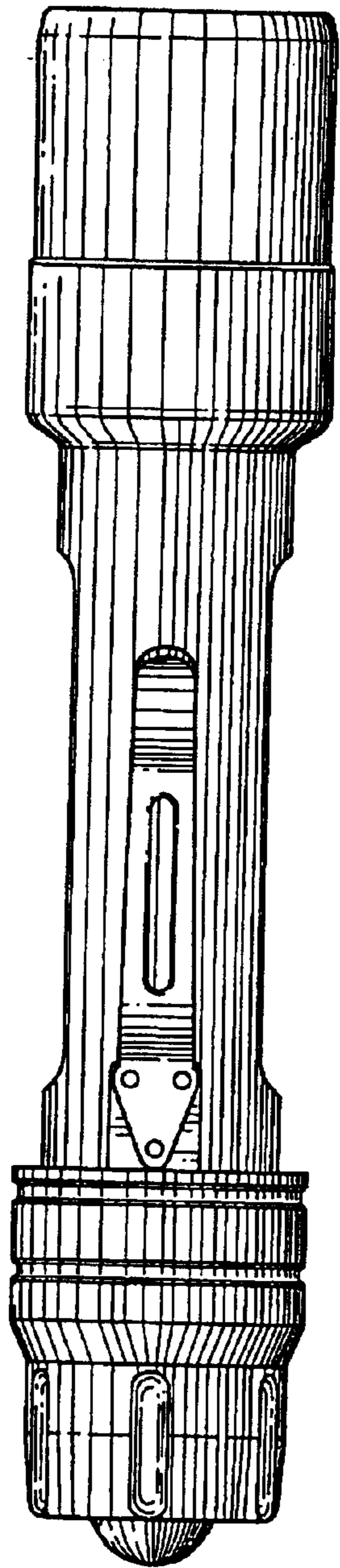
*Fig. 8*



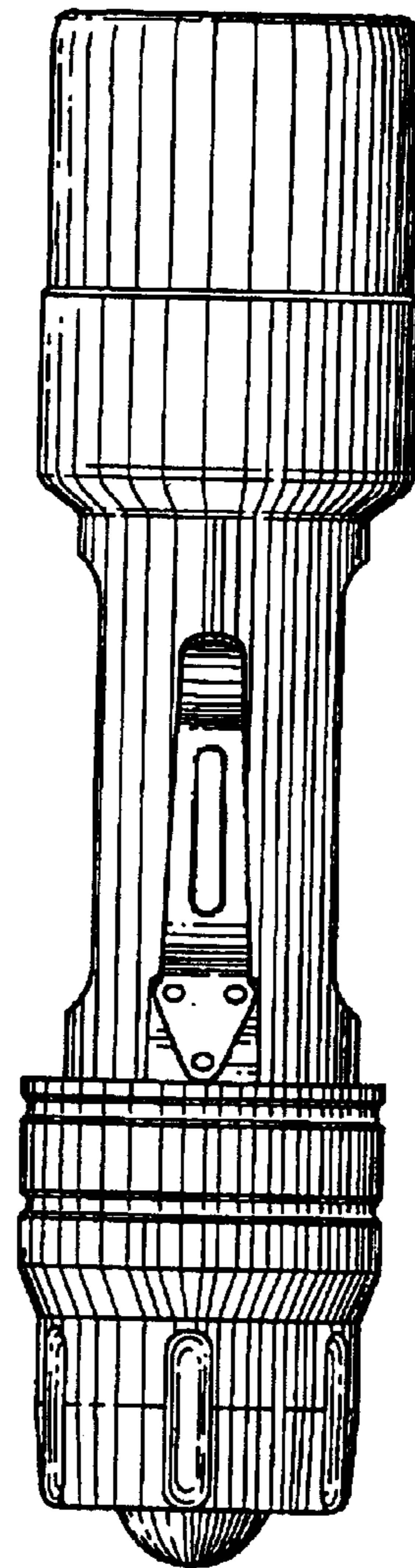
*Fig. 9*



*Fig. 10*



*Fig. 11*



*Fig. 12*