

US00D541962S

(12) **United States Design Patent**  
**Bayat et al.**

(10) **Patent No.:** **US D541,962 S**

(45) **Date of Patent:** **\*\* May 1, 2007**

(54) **HAND-HELD FLUORESCENT LED  
COMBINATION LAMP WITH FLOOD AND  
SPOT LIGHTING**

(75) Inventors: **Bijan Bayat**, Plano, TX (US); **James  
Newton**, Arlington, TX (US); **Gordon  
L. Treichler**, Wylie, TX (US); **Max  
Alan Probasco**, Plano, TX (US)

(73) Assignee: **Bayco Products, Ltd.**, Wylie, TX (US)

(\*\*) Term: **14 Years**

(21) Appl. No.: **29/259,778**

(22) Filed: **May 15, 2006**

(51) **LOC (8) Cl.** ..... **26-02**

(52) **U.S. Cl.** ..... **D26/42**

(58) **Field of Classification Search** ..... D26/37-50;  
362/157, 158, 171-174, 183-208  
See application file for complete search history.

(56) **References Cited**

**U.S. PATENT DOCUMENTS**

- D441,888 S \* 5/2001 Haneda et al. .... D26/42
- D505,217 S \* 5/2005 Bayat et al. .... D26/42
- D526,077 S \* 8/2006 Leen ..... D26/42

D530,843 S \* 10/2006 Yamamoto ..... D26/42

\* cited by examiner

*Primary Examiner*—Marcus A. Jackson

(74) *Attorney, Agent, or Firm*—Whitaker, Chalk, Swindle  
& Sawyer, LLP; Stephen S. Mosher

(57) **CLAIM**

The ornamental design for a hand-held fluorescent LED  
combination lamp with flood and spot lighting, as shown and  
described.

**DESCRIPTION**

FIG. 1 is a perspective view of a hand-held fluorescent LED  
combination lamp with flood and spot lighting;

FIG. 2 is a front view of the hand-held combination lamp of  
FIG. 1;

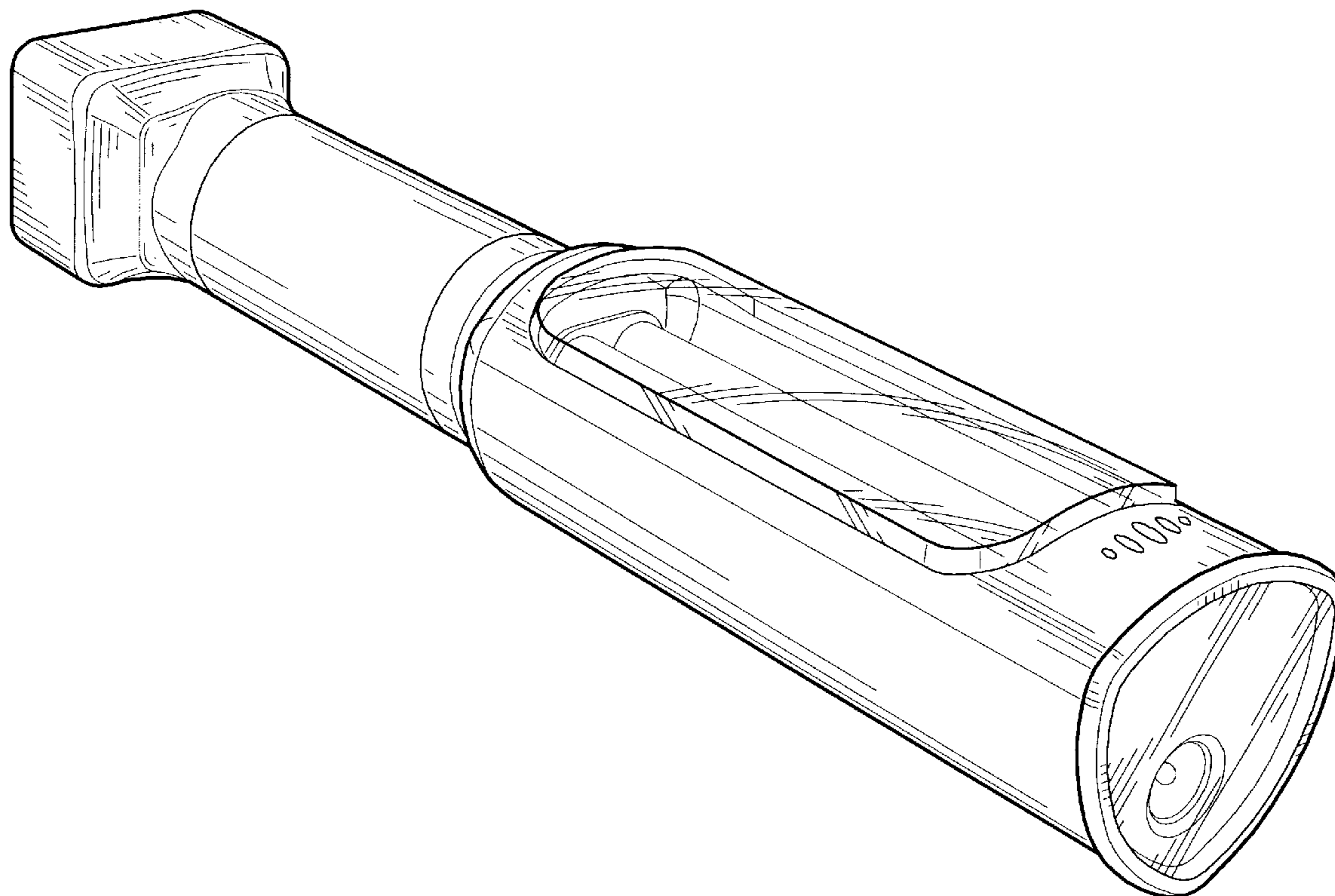
FIG. 3 is a first side view of the hand-held combination lamp  
of FIG. 1, which is a mirror image of the second side view  
of the device;

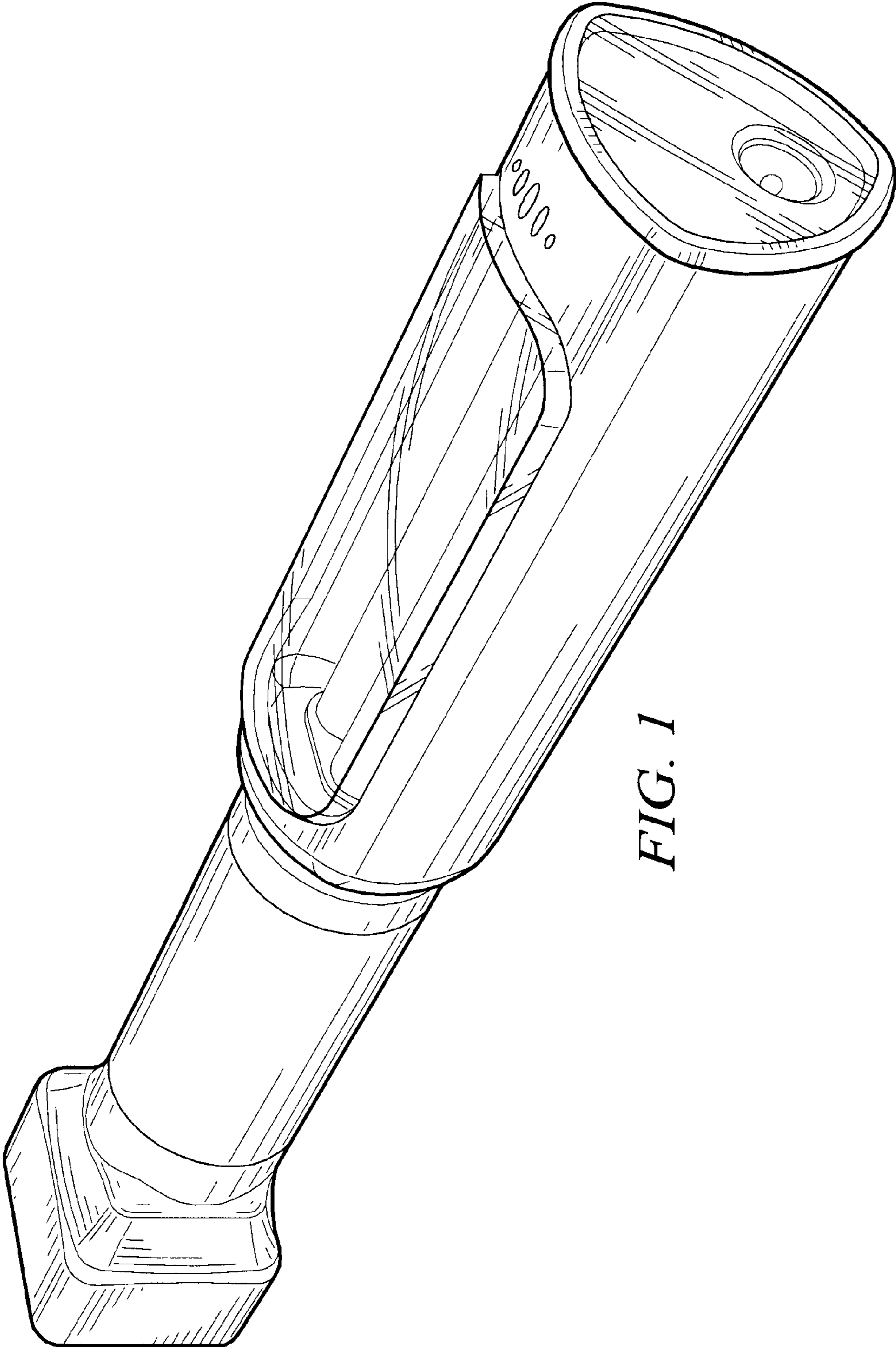
FIG. 4 is a rear side view of the hand-held combination lamp  
of FIG. 1;

FIG. 5 is a top view of the hand-held combination lamp of  
FIG. 1; and,

FIG. 6 is a bottom view of the hand-held combination lamp  
of FIG. 1.

**1 Claim, 3 Drawing Sheets**





*FIG. 1*

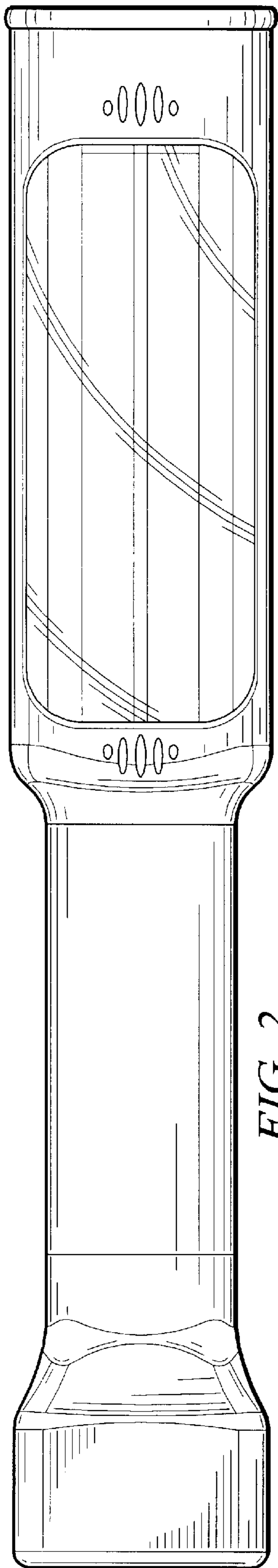


FIG. 2

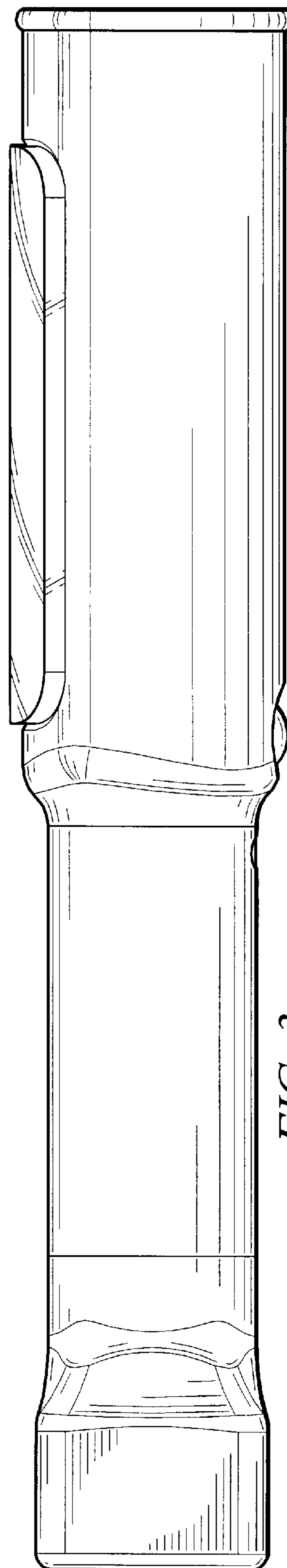


FIG. 3

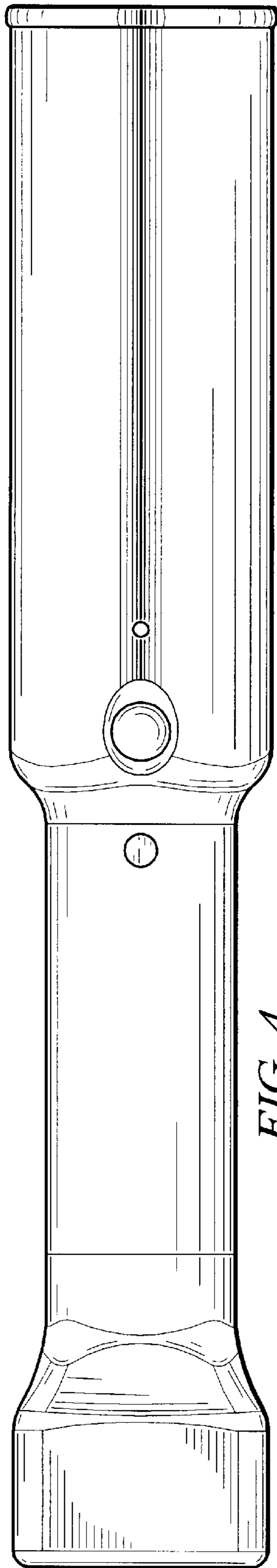


FIG. 4

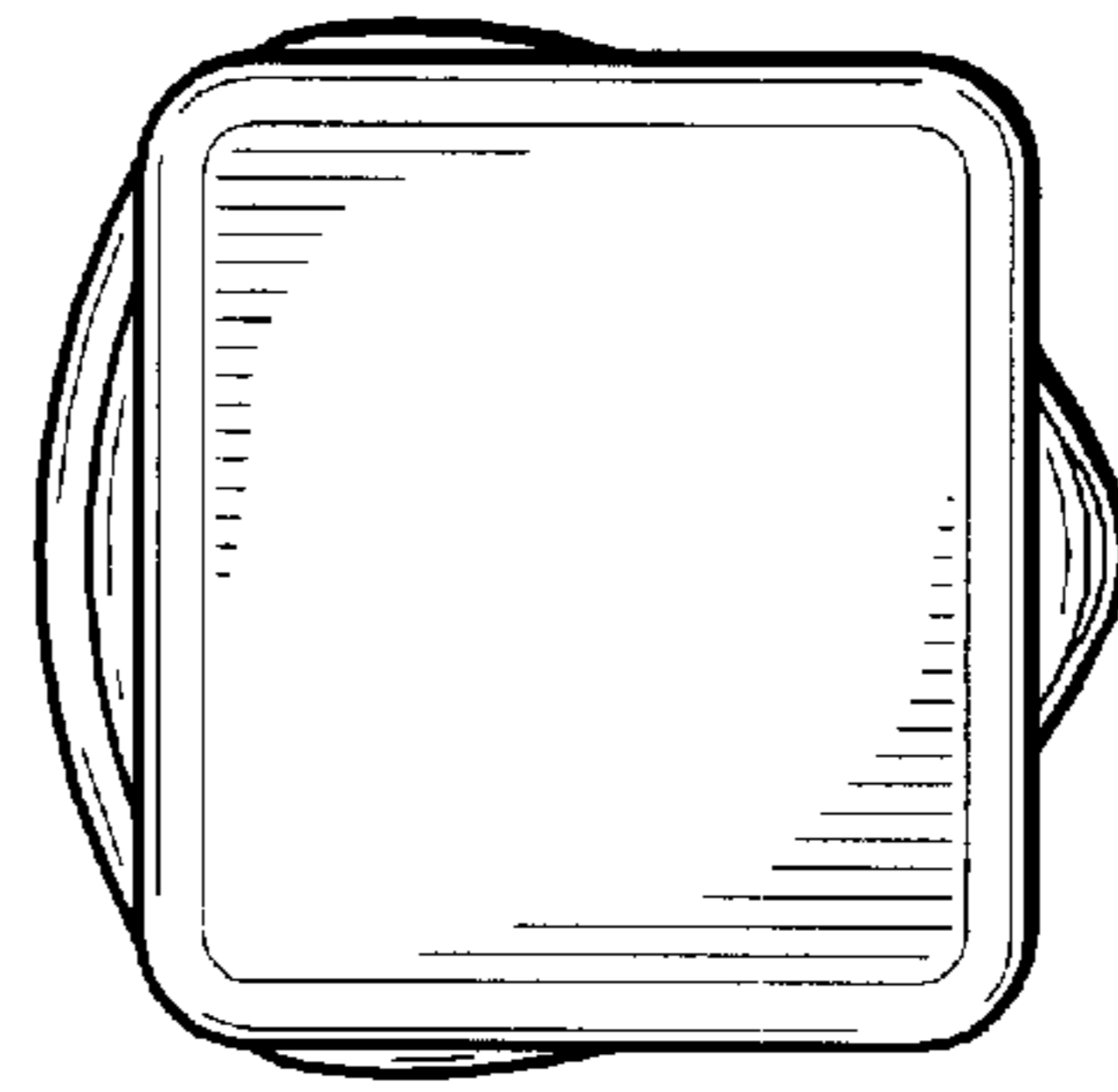


FIG. 6

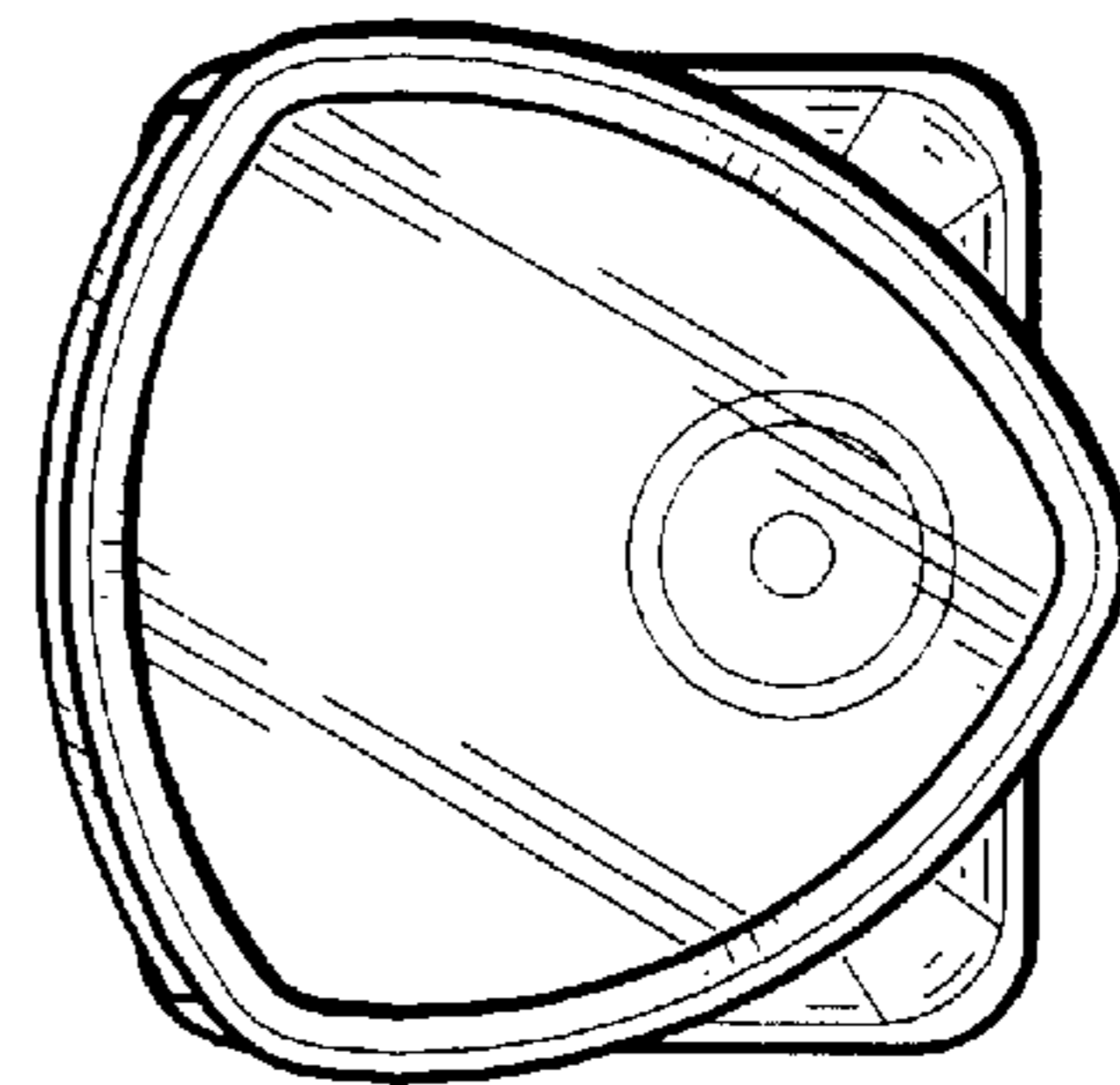


FIG. 5