

US00D541961S

(12) **United States Design Patent** (10) **Patent No.:** **US D541,961 S**
Tarter et al. (45) **Date of Patent:** **** May 1, 2007**

(54) **LANTERN**

(75) Inventors: **Kevin J. Tarter**, Wichita, KS (US);
Darin M. Webb, Wichita, KS (US)
(73) Assignee: **The Coleman Company, Inc.**, Wichita,
KS (US)
(**) Term: **14 Years**

(21) Appl. No.: **29/246,923**
(22) Filed: **May 22, 2006**

(51) **LOC (8) Cl.** **26-02**
(52) **U.S. Cl.** **D26/40**
(58) **Field of Classification Search** D26/37,
D26/38, 39, 40, 41, 42, 43, 44, 48, 50; 362/172,
362/173, 179, 180, 181, 182, 186, 392, 394,
362/395, 369, 399, 280, 161, 162, 158, 183,
362/184, 188, 360, 362, 372, 376, 388, 185,
362/374, 375

See application file for complete search history.

(56) **References Cited**

U.S. PATENT DOCUMENTS

D280,027 S	*	8/1985	Petterson	D26/40
D282,211 S		1/1986	Tang		
D312,317 S		11/1990	Tang		
D334,437 S		3/1993	Poon		
D342,800 S	*	12/1993	Petterson et al.	D26/41
D343,242 S		1/1994	Poon		
D350,830 S	*	9/1994	Bamber	D26/42
D351,918 S		10/1994	Poon		
D374,099 S	*	9/1996	Bamber	D26/41
D382,358 S		8/1997	Poon		
D399,016 S		9/1998	Howard et al.		
5,860,729 A	*	1/1999	Bamber	362/184
D443,706 S	*	6/2001	Israel et al.	D26/40

OTHER PUBLICATIONS

Coleman 2006 Outdoor Products Catalog, LED Micro-
packer Lantern, p. 81, The Coleman Company, Inc., Wichita,
Kansas.

* cited by examiner

Primary Examiner—Ian Simmons
Assistant Examiner—Carissa Fitts

(74) *Attorney, Agent, or Firm*—Leydig, Voit & Mayer, Ltd.

(57) **CLAIM**

The ornamental design for a lantern, as shown and
described.

DESCRIPTION

FIG. 1 is a perspective view of a lantern showing our new
design;
FIG. 2 is a front elevation view thereof;
FIG. 3 is a rear elevation view thereof;
FIG. 4 is a left side elevation view thereof;
FIG. 5 is a right side elevation view thereof;
FIG. 6 is a top plan view thereof;
FIG. 7 is a bottom plan view thereof;
FIG. 8 is a perspective view of a second embodiment of a
lantern showing our new design;
FIG. 9 is a front elevation view thereof;
FIG. 10 is a rear elevation view thereof;
FIG. 11 is a left side elevation view thereof;
FIG. 12 is a right side elevation view thereof;
FIG. 13 is a top plan view thereof; and,
FIG. 14 is a bottom plan view thereof.
The broken line showing is for illustrative purposes only and
forms no part of the claimed design.

1 Claim, 4 Drawing Sheets

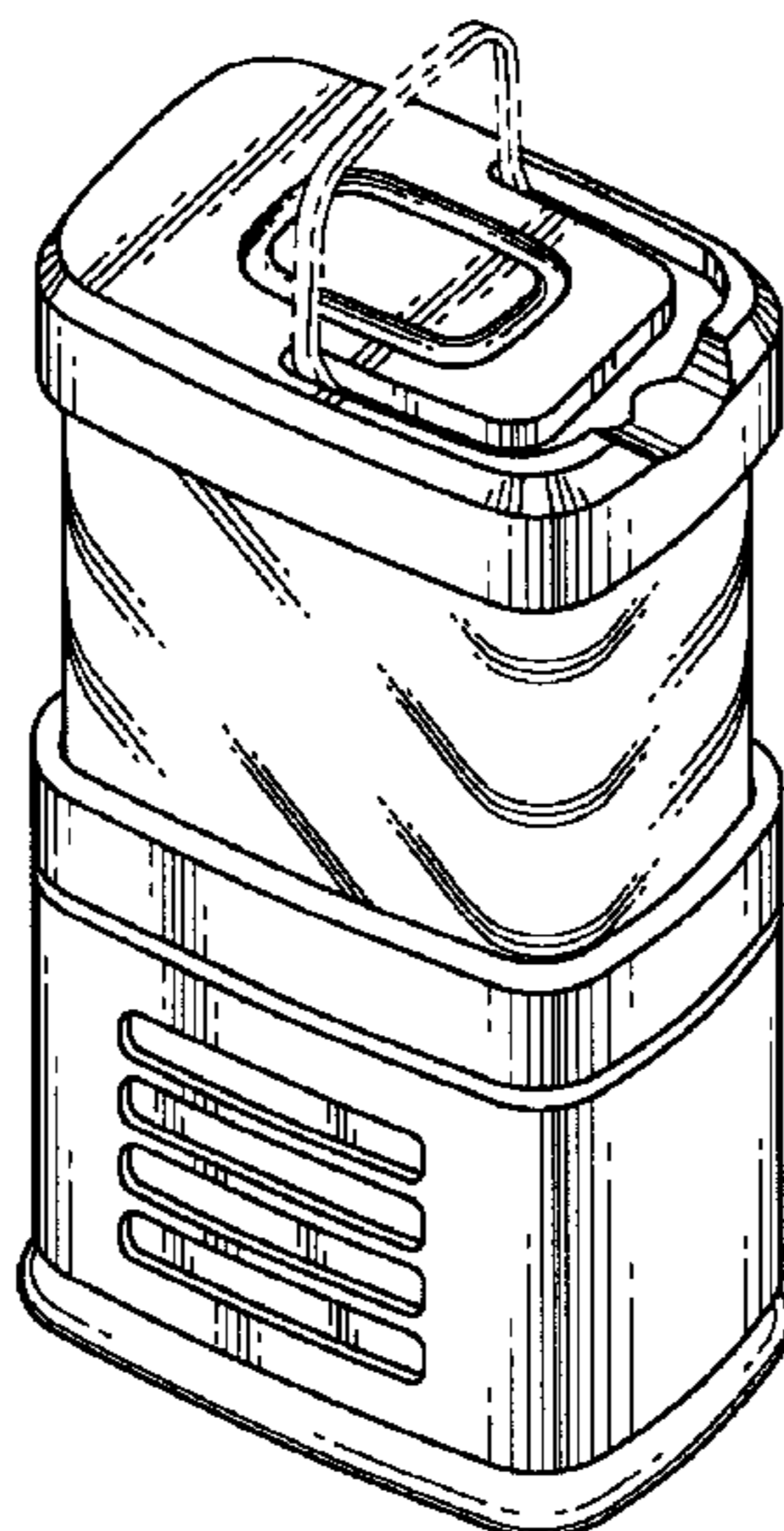


FIG. 1

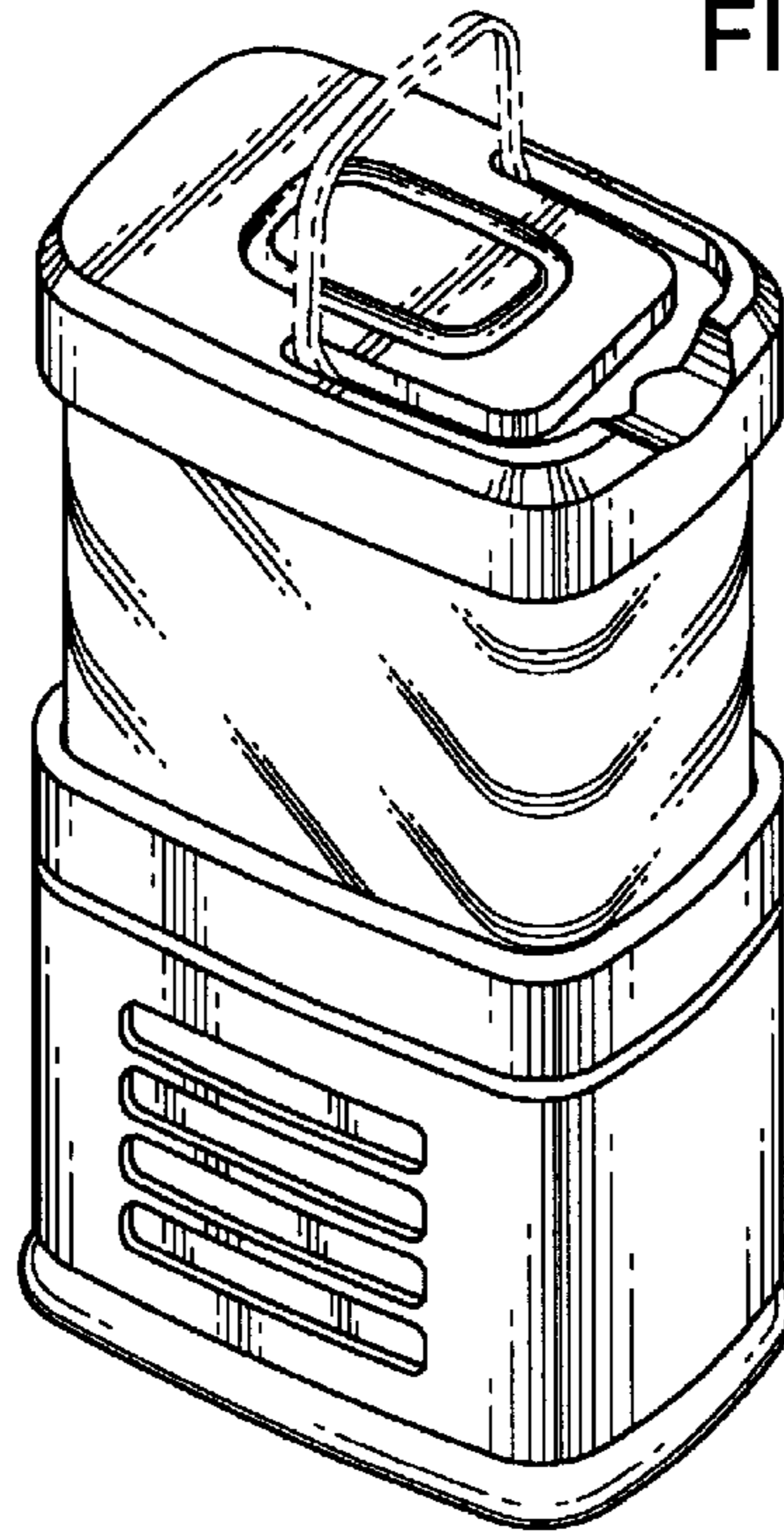


FIG. 2

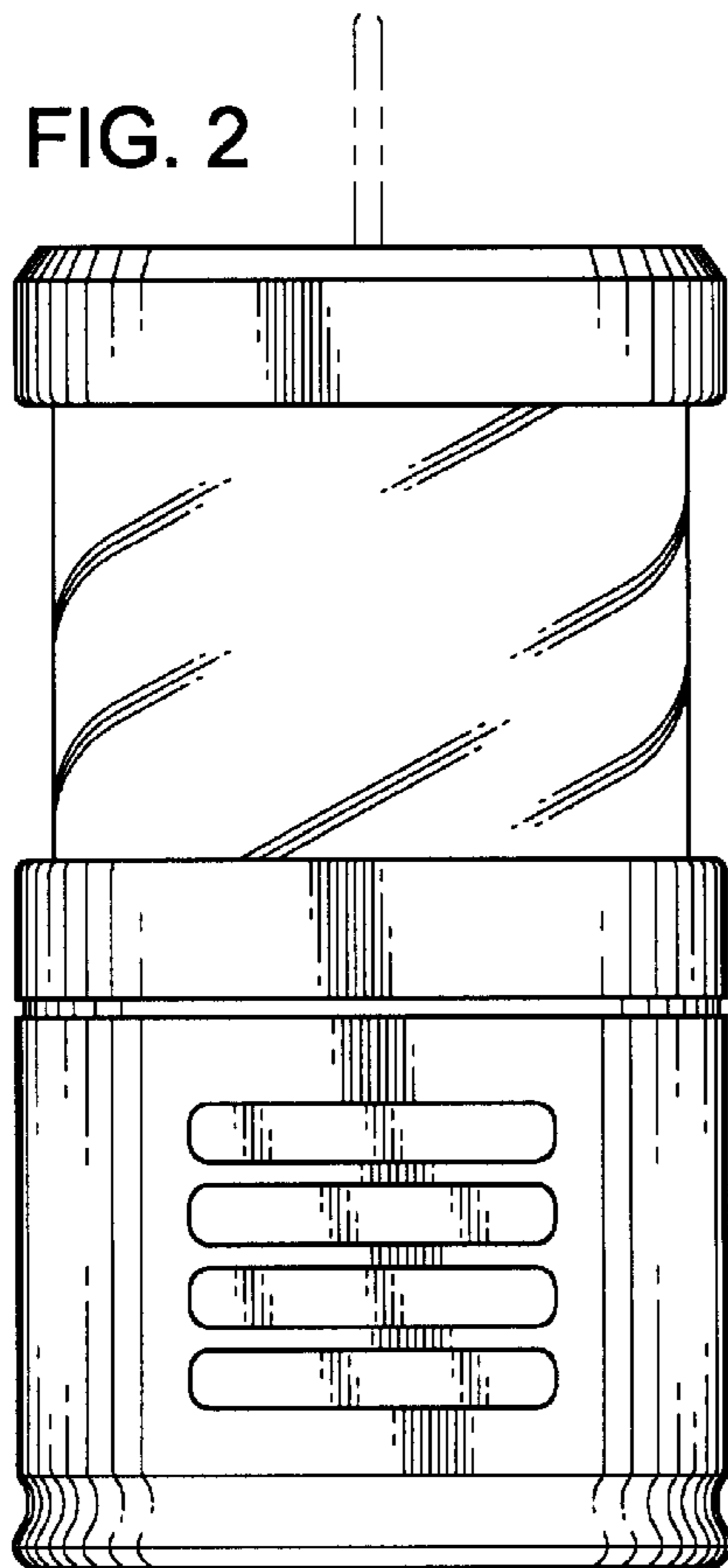


FIG. 3

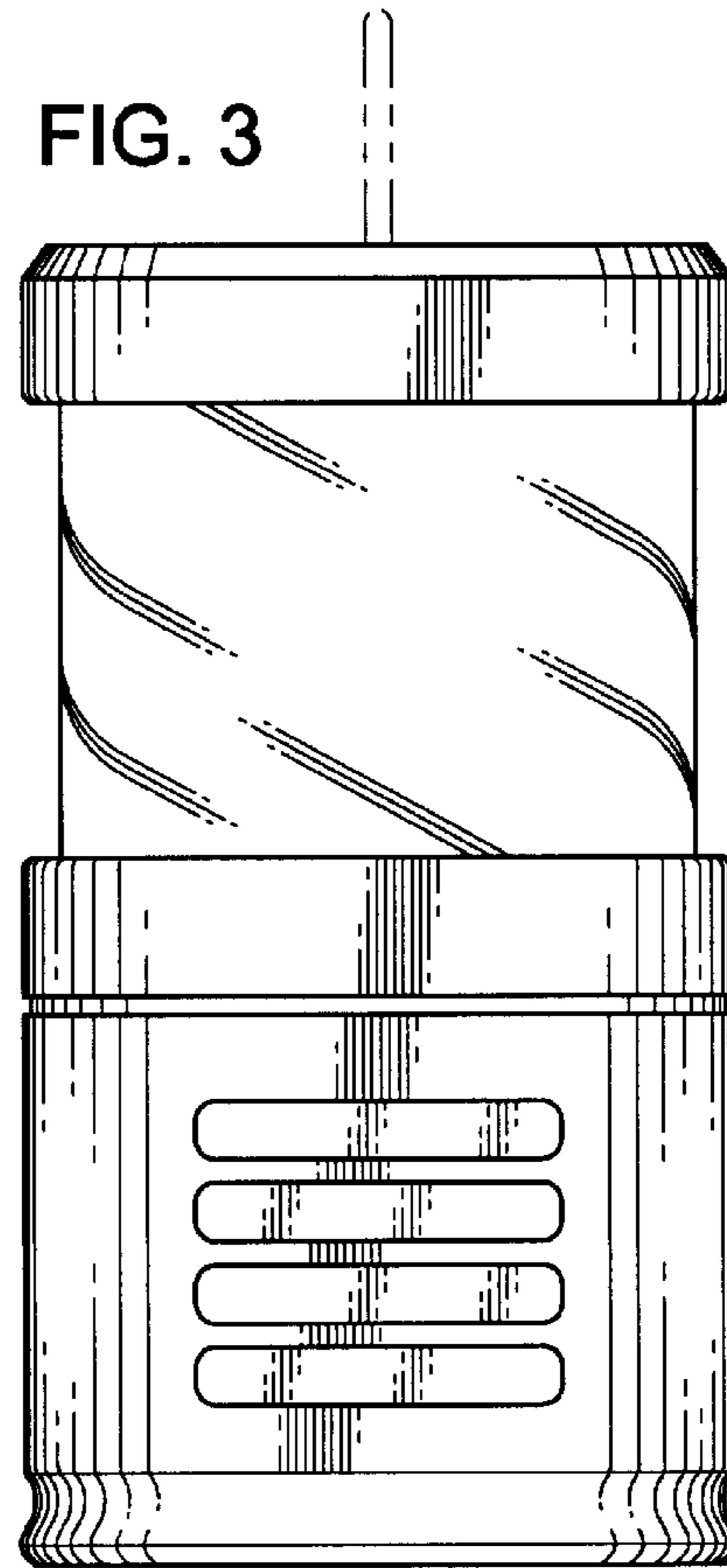


FIG. 4

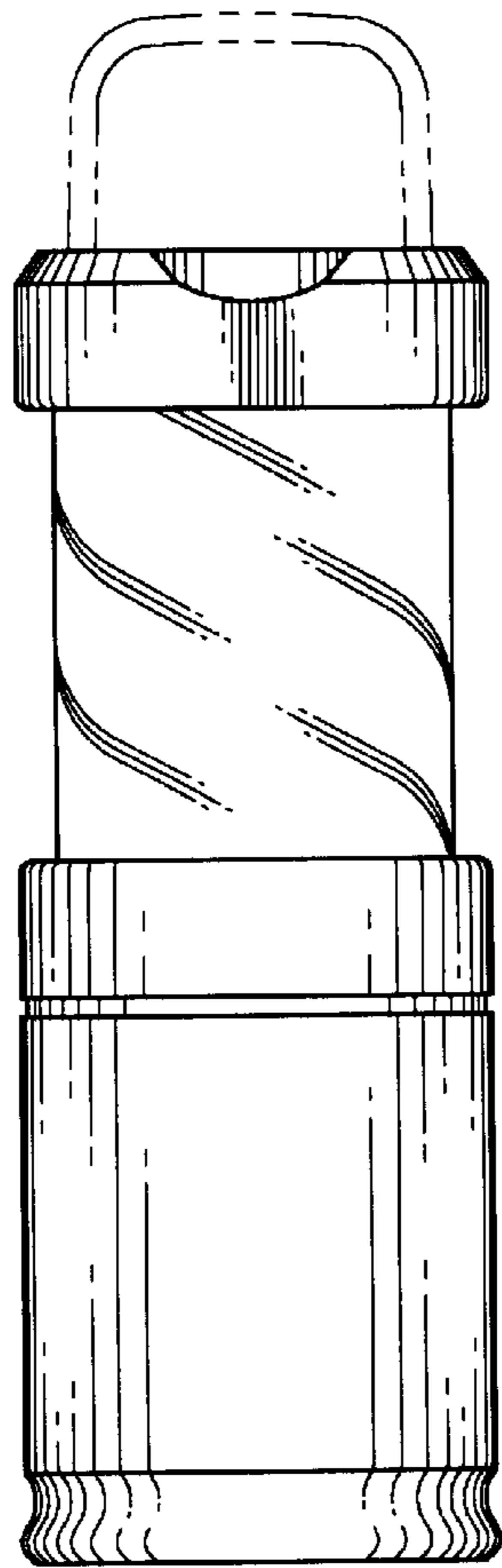


FIG. 5

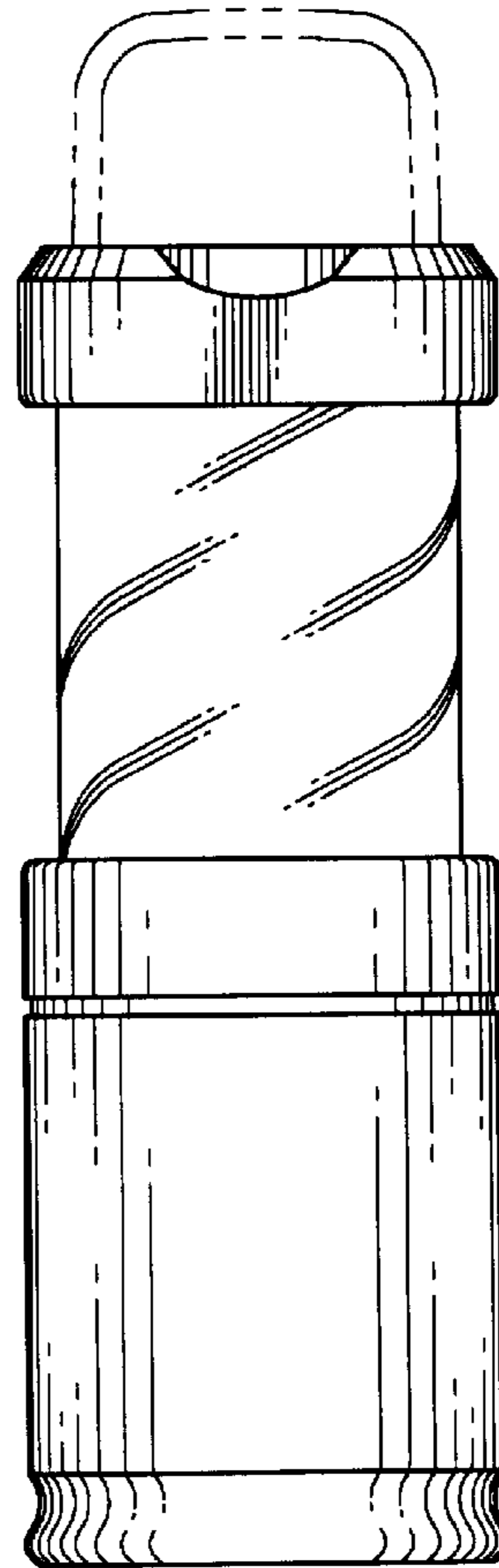


FIG. 6

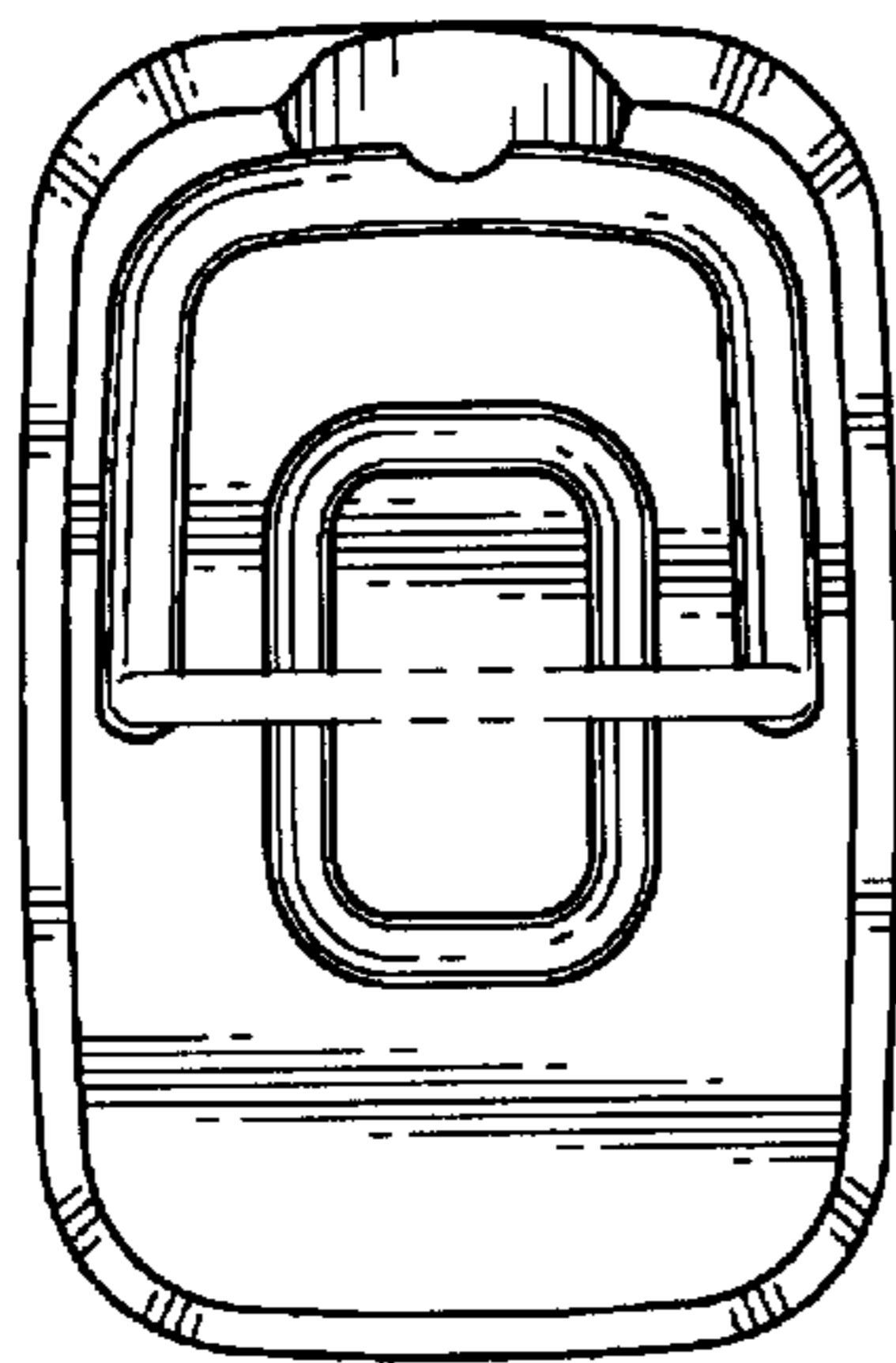


FIG. 7

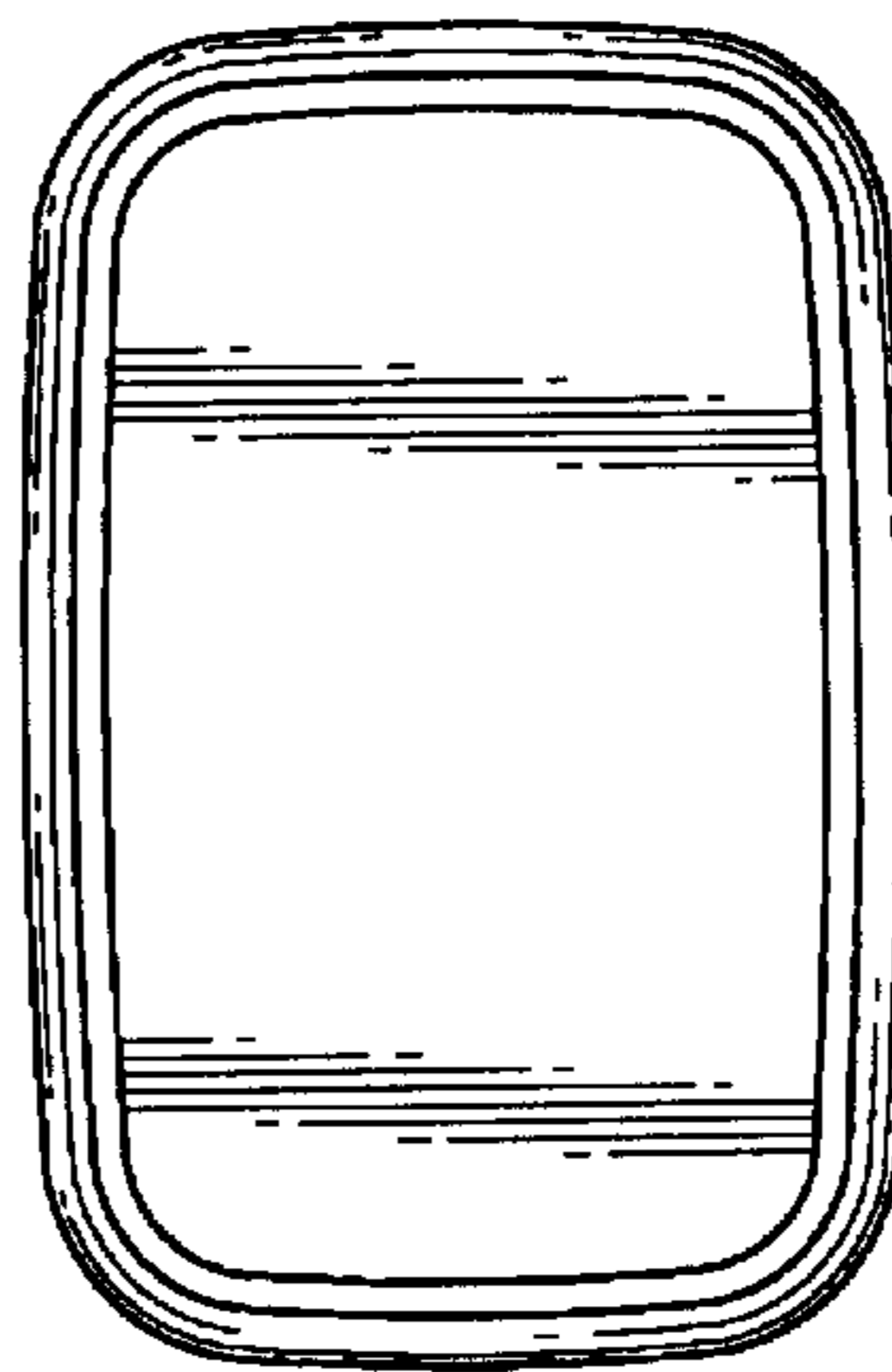


FIG. 8

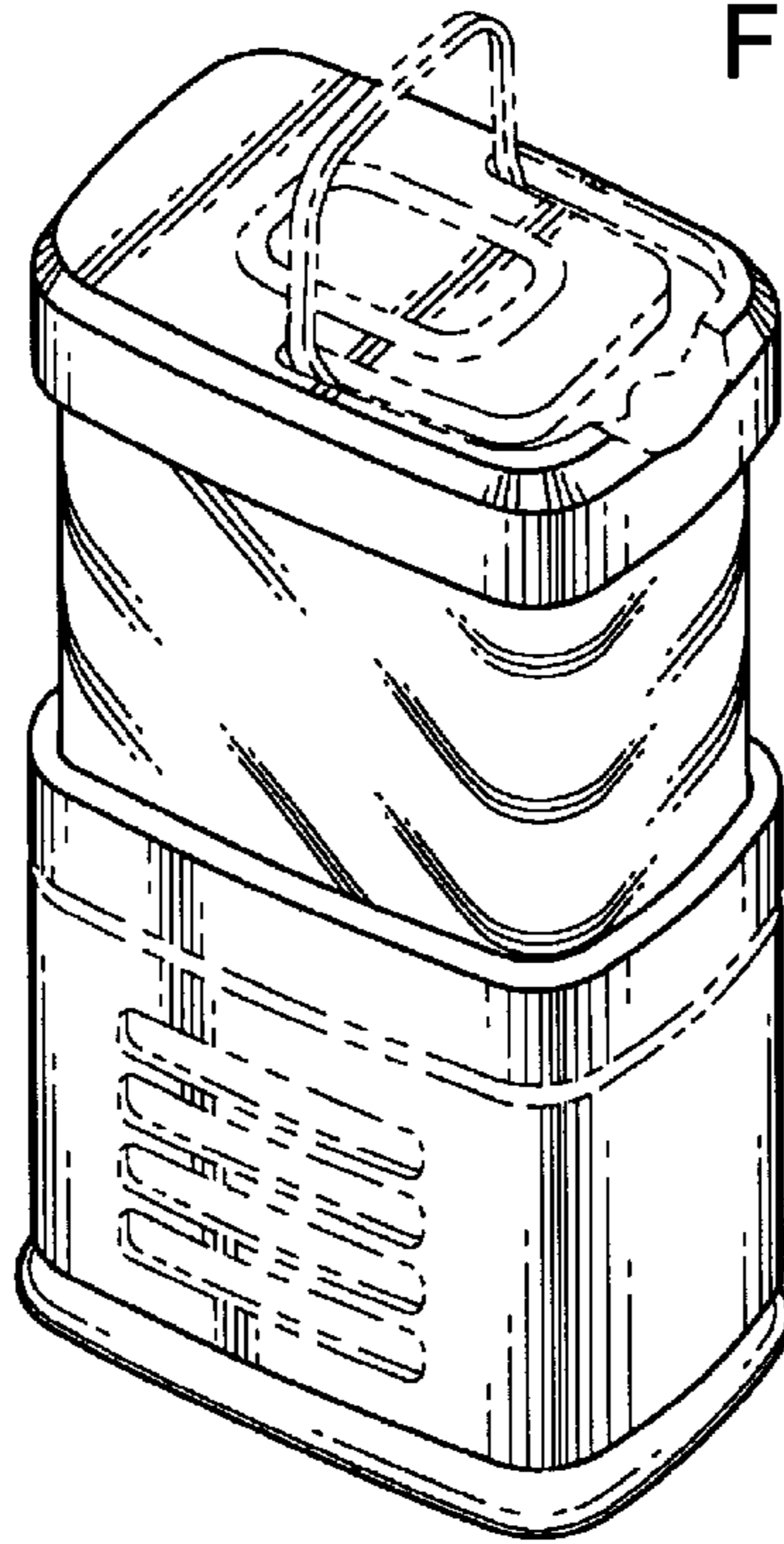


FIG. 9

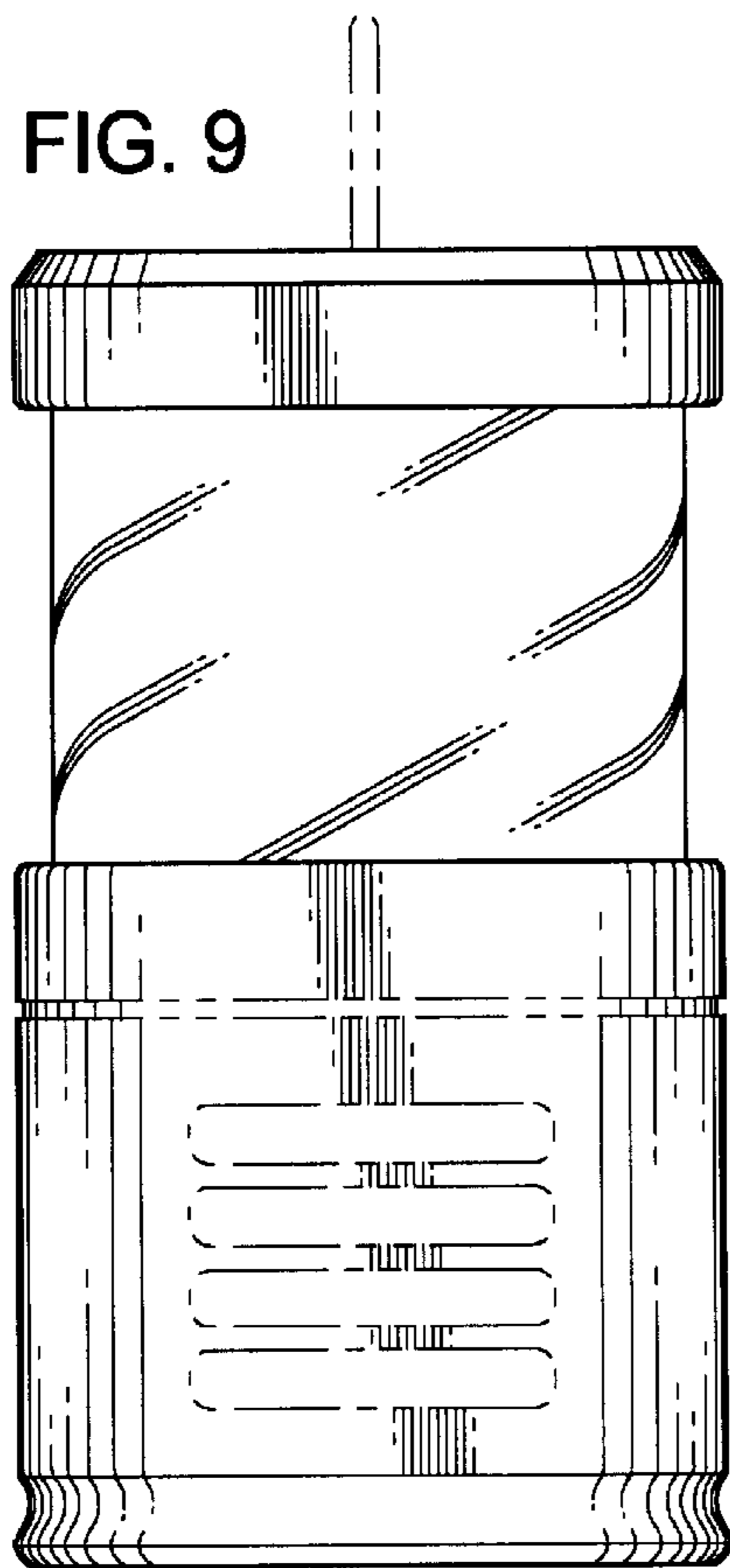


FIG. 10

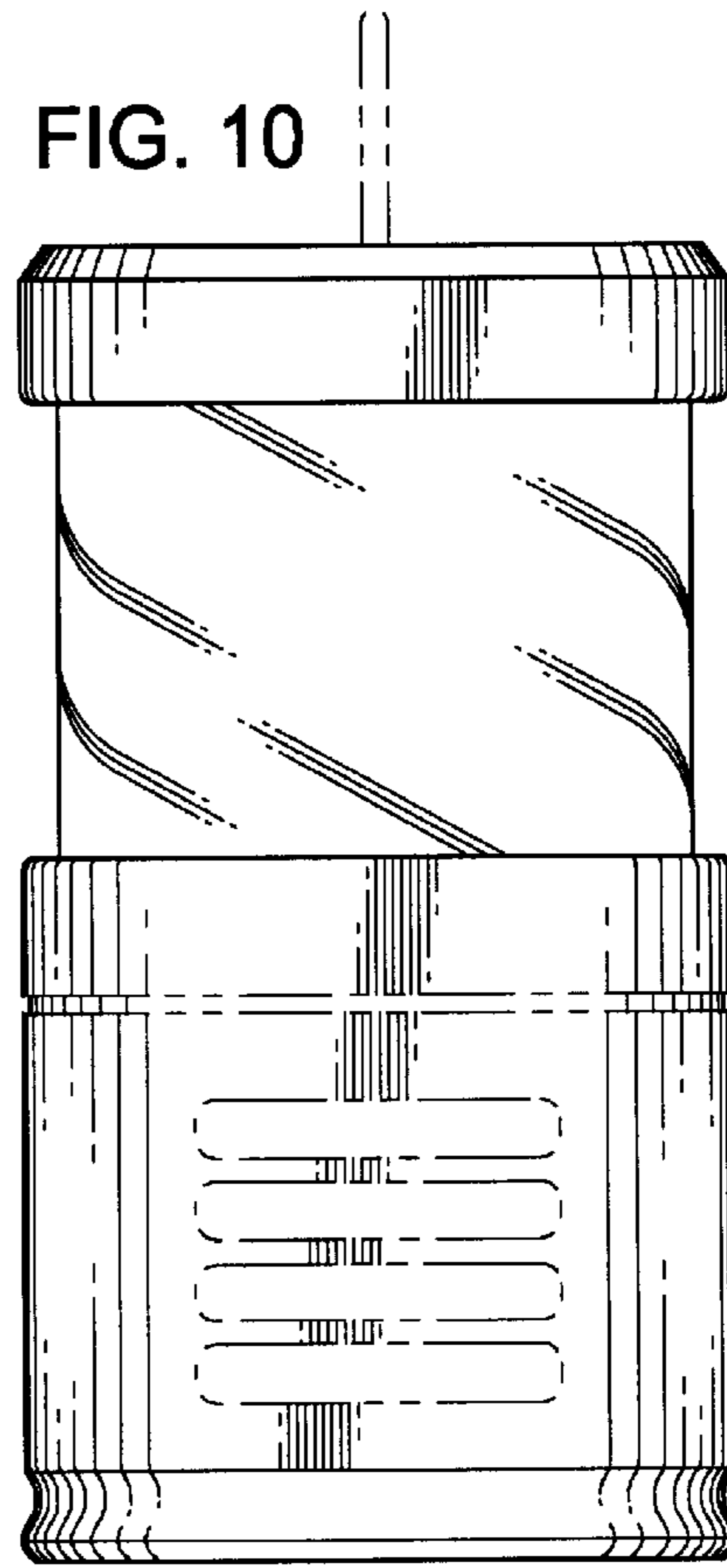


FIG. 11

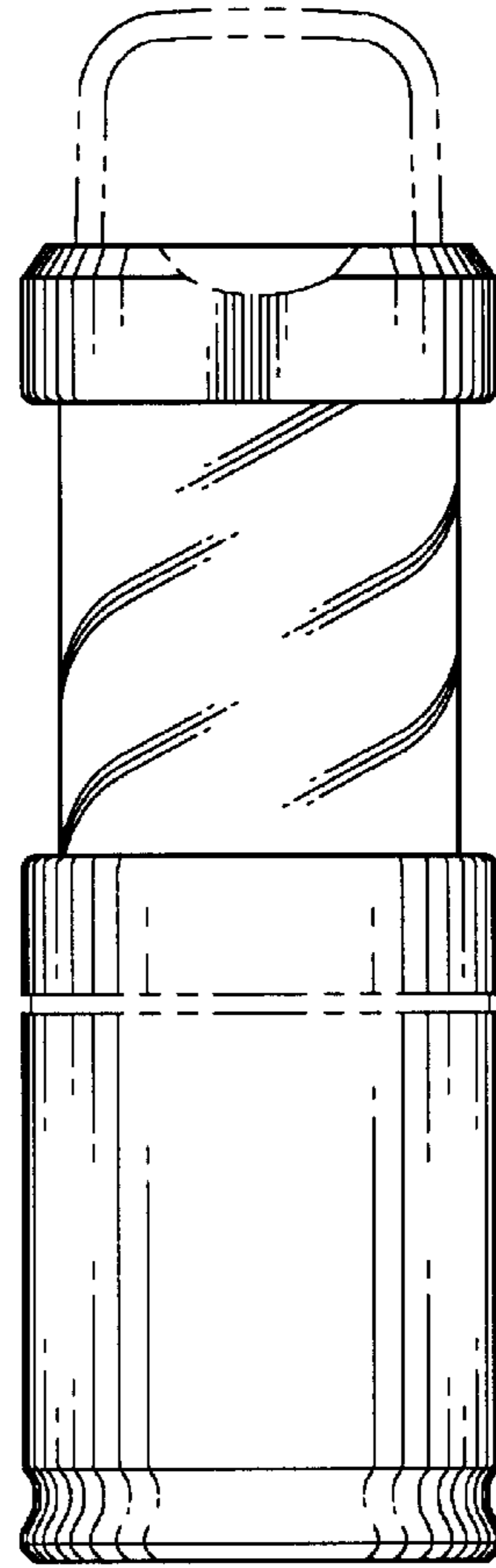
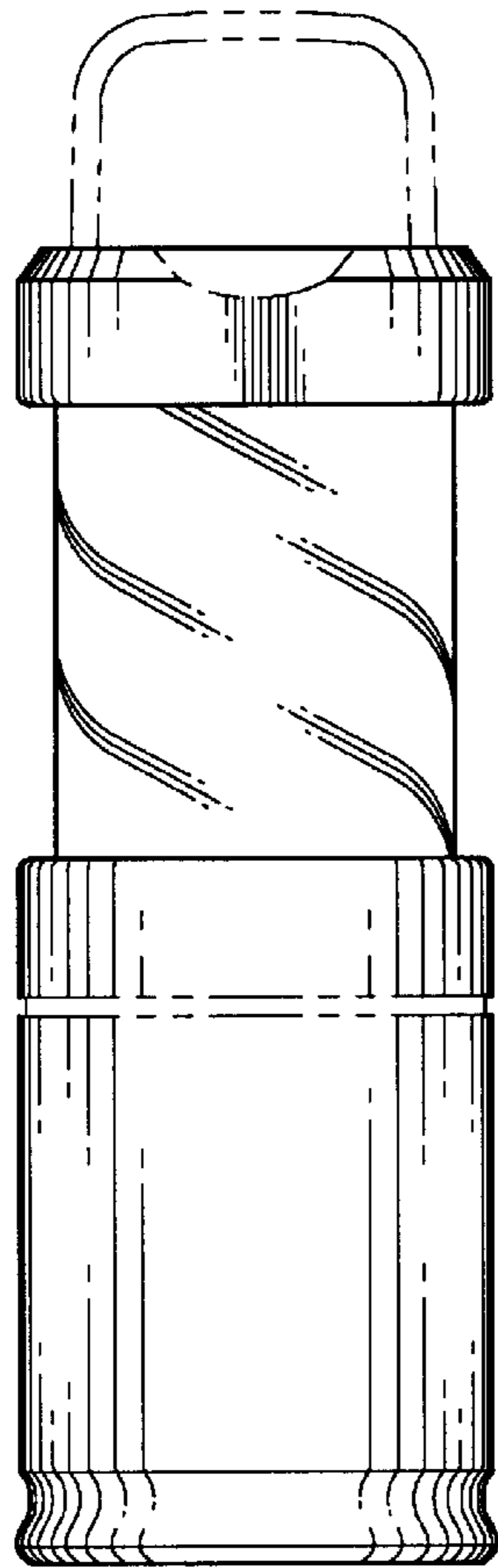


FIG. 13

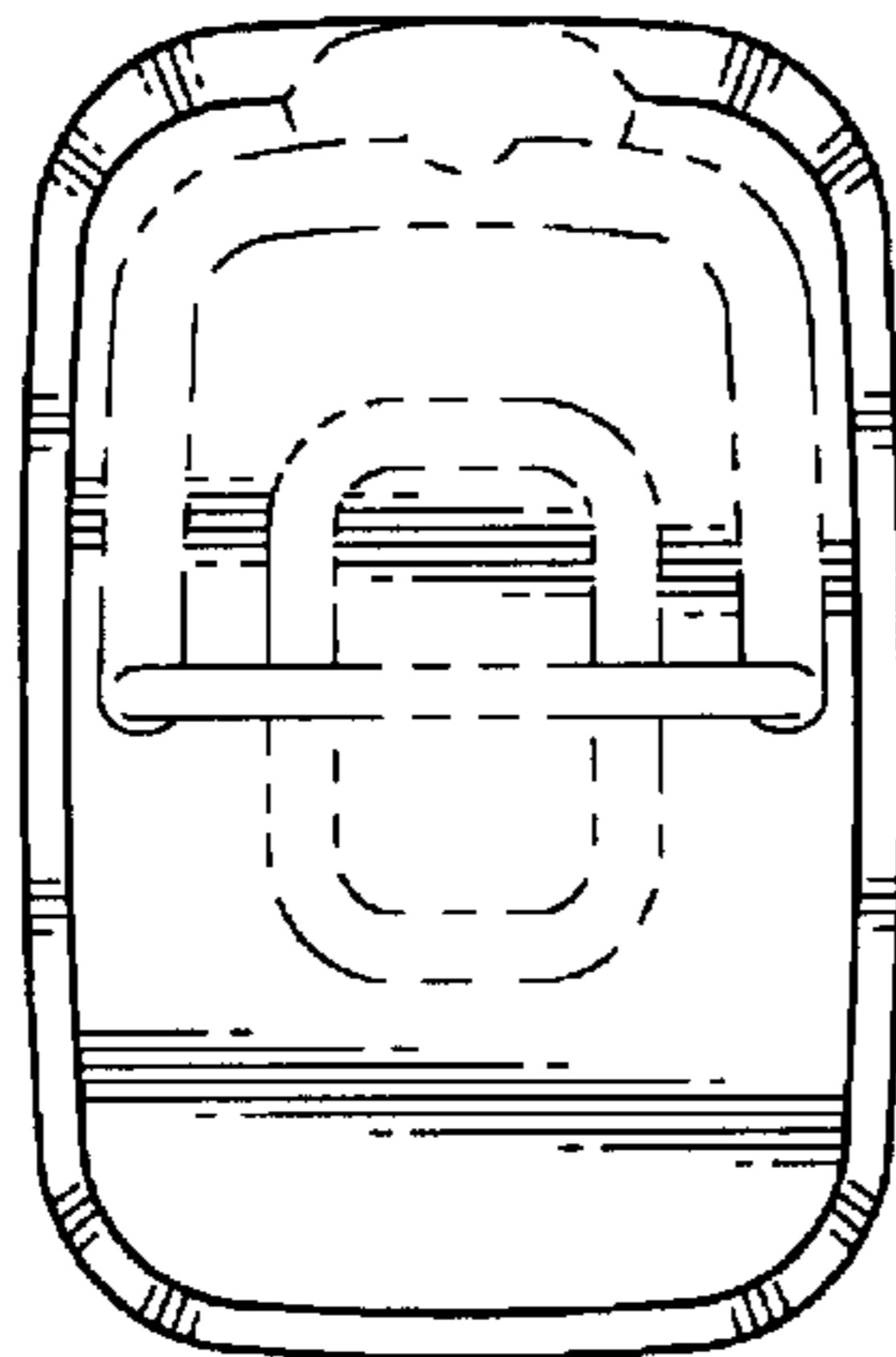


FIG. 14

