



US00D541960S

(12) **United States Design Patent** (10) **Patent No.:** **US D541,960 S**  
**Rothman** (45) **Date of Patent:** **\*\* May 1, 2007**

(54) **WIND-UP FLASHLIGHT**

(76) Inventor: **Jacob Rothman**, 1451 Doolittle Dr.,  
San Leandro, CA (US) 94577

(\*\*) Term: **14 Years**

(21) Appl. No.: **29/261,052**

(22) Filed: **Jun. 7, 2006**

(51) **LOC (8) Cl.** ..... **26-02**

(52) **U.S. Cl.** ..... **D26/37**

(58) **Field of Classification Search** ..... D26/37-50;  
362/157, 158, 171-174, 183-208

See application file for complete search history.

(56) **References Cited**

**U.S. PATENT DOCUMENTS**

D407,509 S	*	3/1999	Yuen	.....	D26/37
D476,437 S	*	6/2003	Dalton et al.	.....	D26/37
D504,966 S	*	5/2005	Osiecki et al.	.....	D26/37
D511,586 S	*	11/2005	Yeh	.....	D26/37
D513,335 S	*	12/2005	Lee	.....	D26/37
D529,212 S	*	9/2006	Yuen	.....	D26/37

\* cited by examiner

*Primary Examiner*—Marcus A. Jackson

(74) *Attorney, Agent, or Firm*—Theodore J. Bielen, Jr.

(57) **CLAIM**

The ornamental design for a wind-up flashlight, as shown and described.

**DESCRIPTION**

FIG. 1 is a top front, left side perspective view showing my new design;

FIG. 2 is a left side elevational view;

FIG. 3 is a bottom plan view;

FIG. 4 is a top plan view;

FIG. 5 is a right side elevational view;

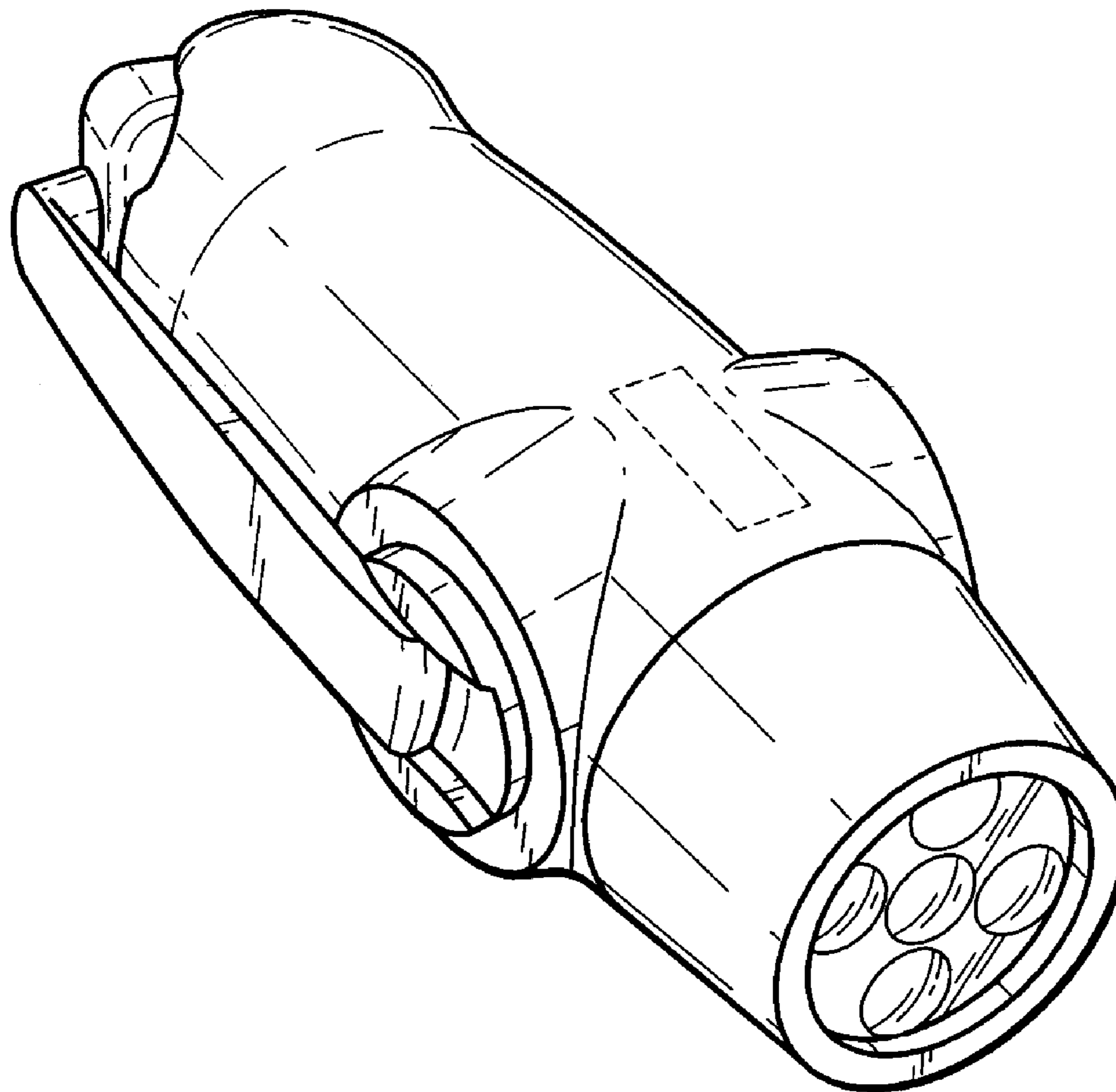
FIG. 6 is a front elevational view;

FIG. 7 is a rear elevational view; and,

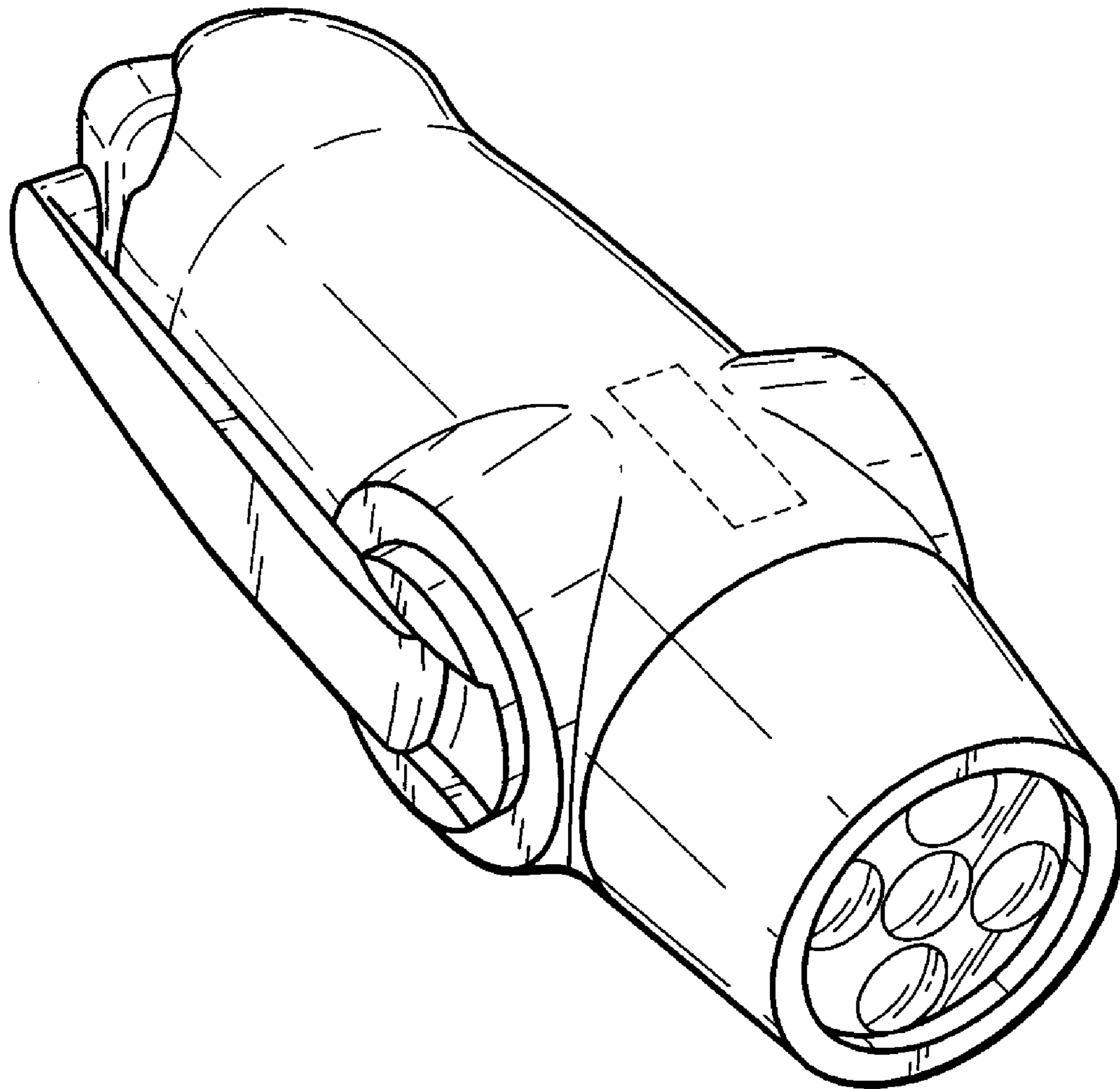
FIG. 8 is a top, front left side perspective view with the crank rotated outwardly; thereof.

The broken line showing of an opening is included for the purpose of illustrating an opening and forms no part of the claimed design.

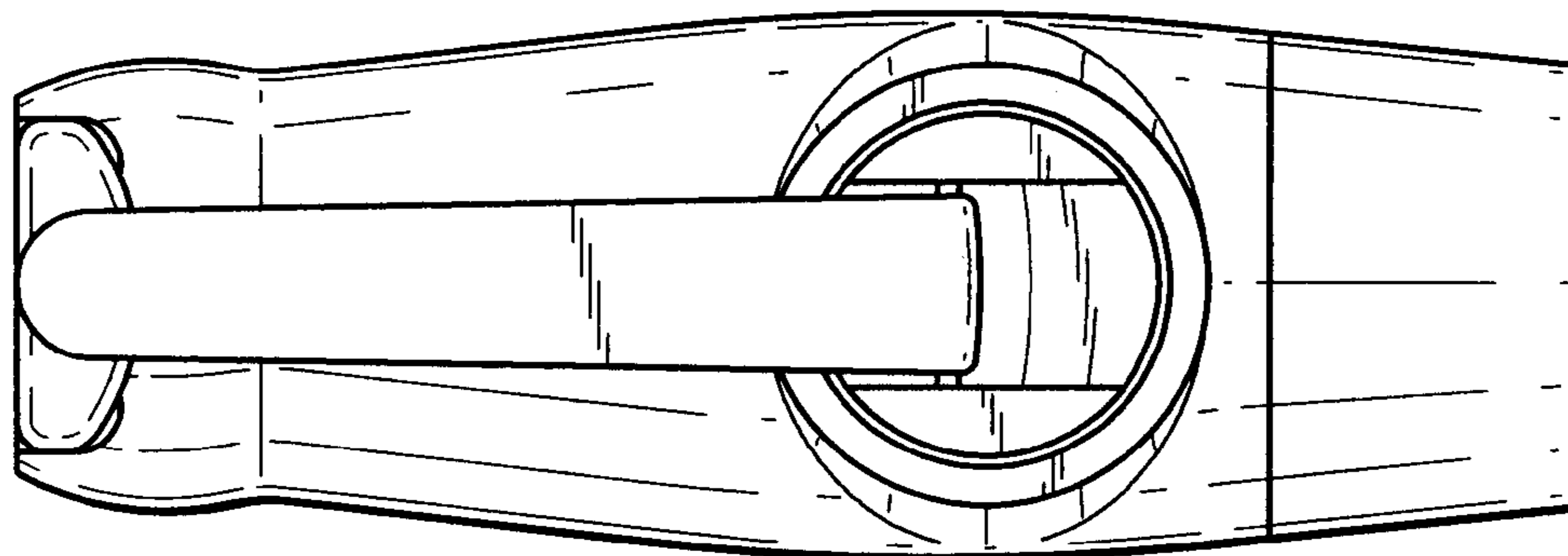
**1 Claim, 4 Drawing Sheets**



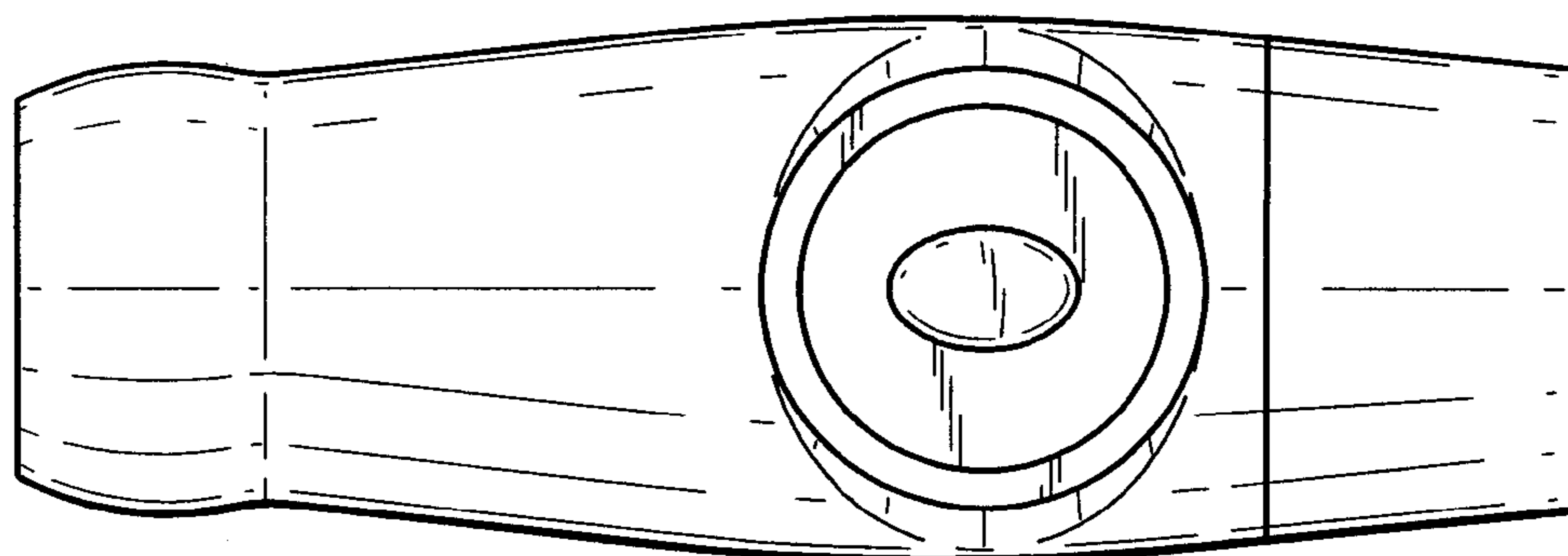
**FIG. 1**



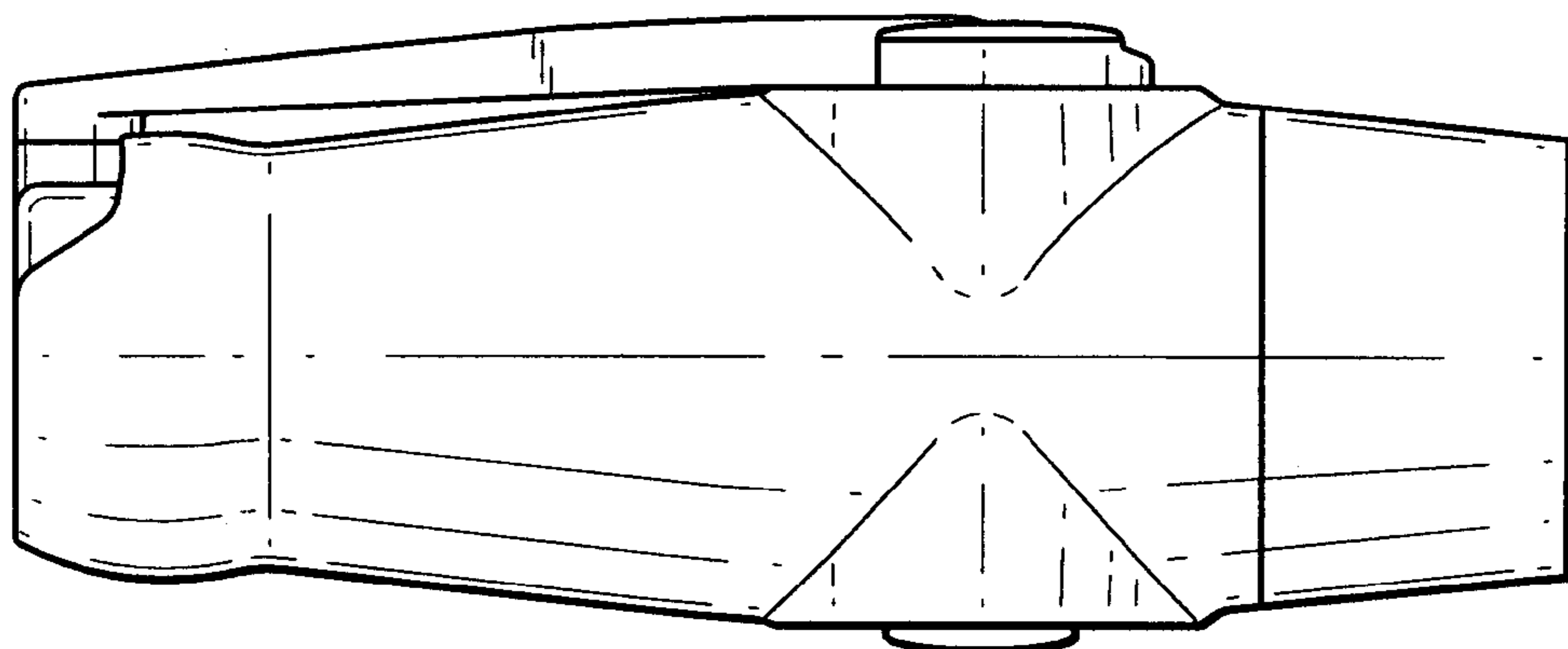
**FIG. 2**



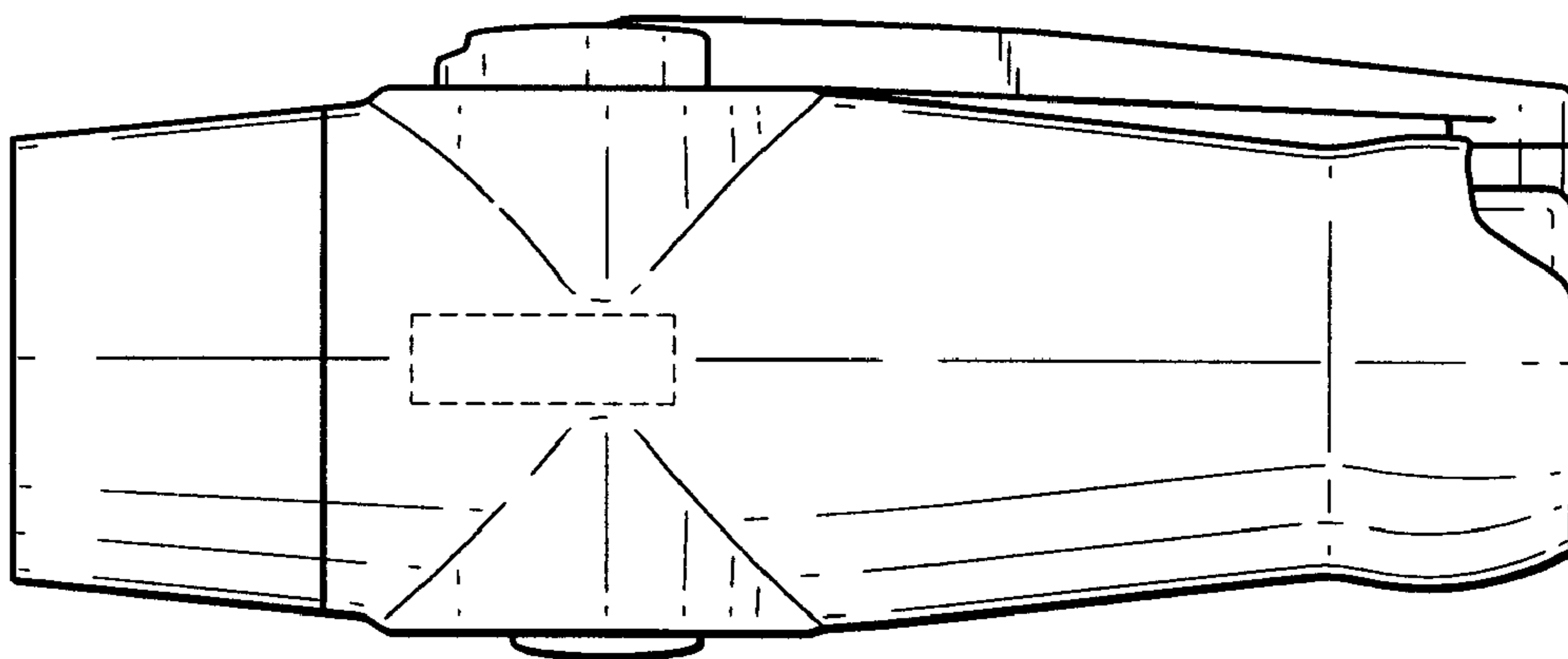
**FIG. 3**



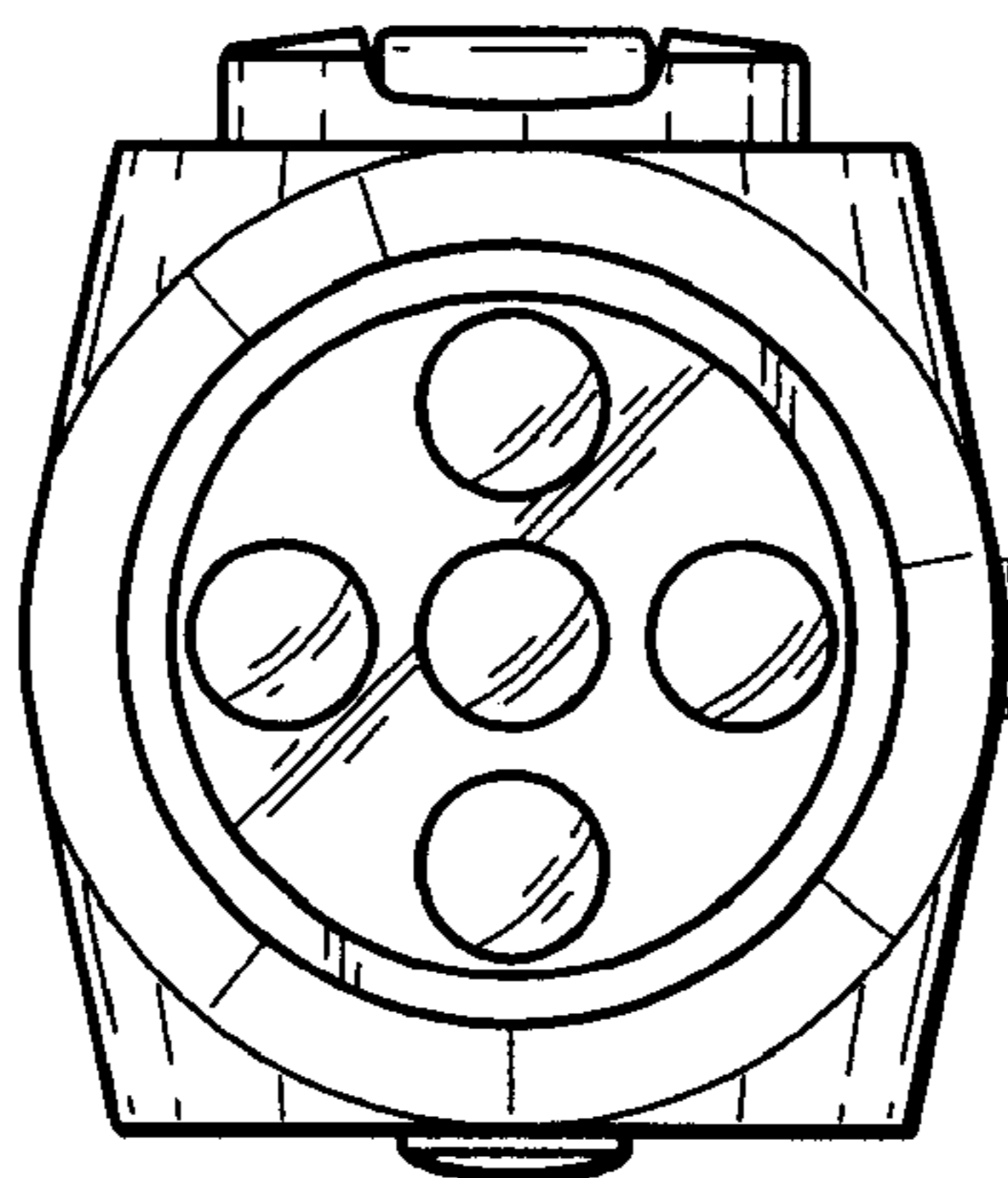
**FIG. 4**



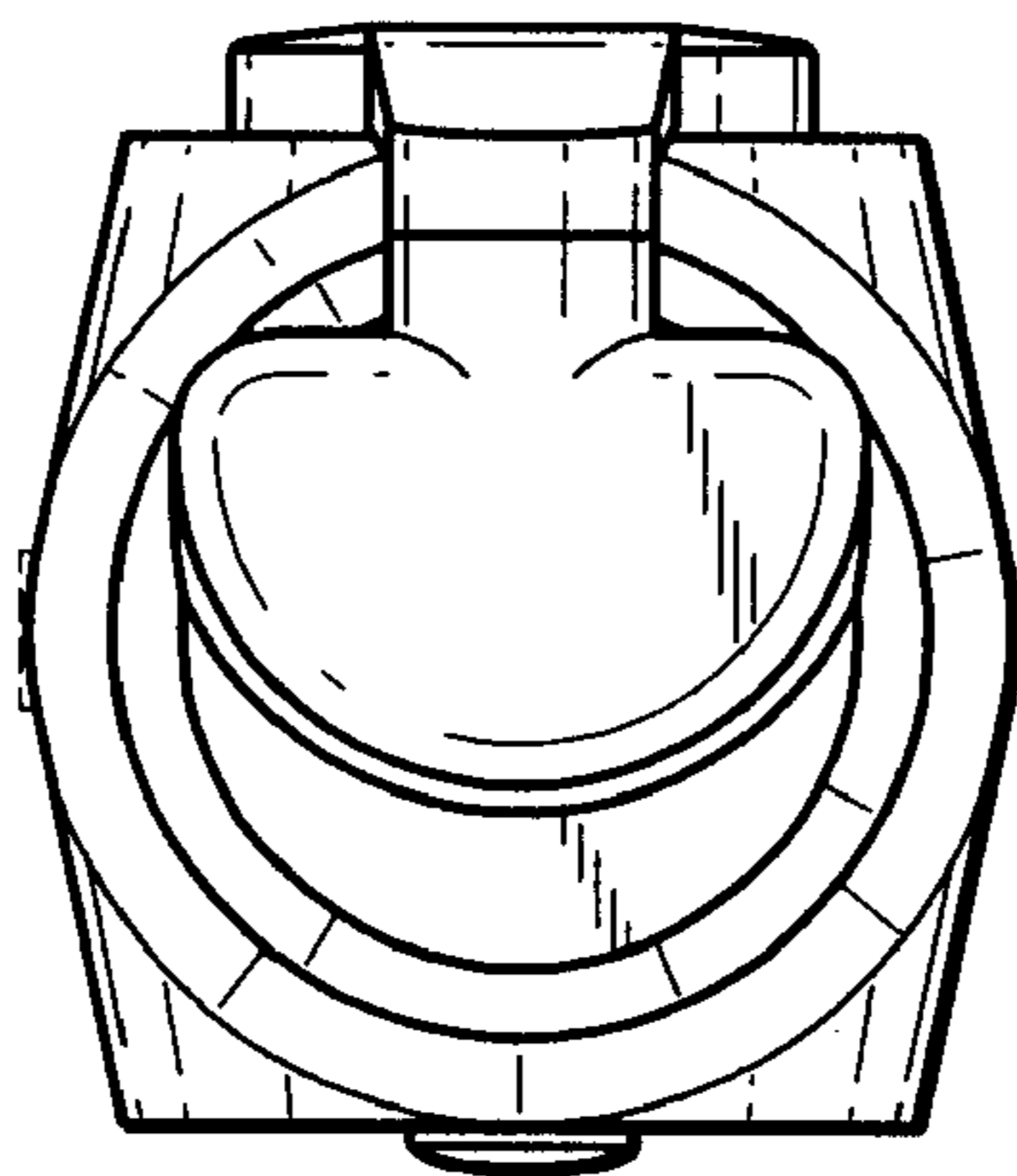
**FIG. 5**



**FIG. 6**



**FIG. 7**



**FIG. 8**

