

US00D541959S

(12) **United States Design Patent**
Cozzi

(10) **Patent No.:** **US D541,959 S**

(45) **Date of Patent:** **** May 1, 2007**

(54) **LIGHT FOR VEHICLES**

(75) Inventor: **Wolfgang Cozzi**, Leno (IT)

(73) Assignee: **C.O.B.O. S.p.A.**, Leno (IT)

(**) Term: **14 Years**

(21) Appl. No.: **29/260,446**

(22) Filed: **May 24, 2006**

(30) **Foreign Application Priority Data**

Nov. 30, 2005 (EM) 000439278

(51) **LOC (8) Cl.** **26-06**

(52) **U.S. Cl.** **D26/28**

(58) **Field of Classification Search** D26/28-36;
362/459-468, 475-478, 485-487
See application file for complete search history.

(56) **References Cited**

U.S. PATENT DOCUMENTS

D514,010 S * 1/2006 Corrigan D10/120

D514,973 S * 2/2006 Coward D10/120
D515,228 S * 2/2006 Gebhard et al. D26/28
D528,680 S * 9/2006 Oda D26/28

* cited by examiner

Primary Examiner—Marcus A. Jackson

(74) *Attorney, Agent, or Firm*—Pearne & Gordon LLP

(57) **CLAIM**

The ornamental design for a light for vehicles, as shown and described.

DESCRIPTION

FIG. 1 is a perspective view of a light for vehicles, showing my new design;

FIG. 2 is a left elevational view thereof;

FIG. 3 is a right elevational view thereof;

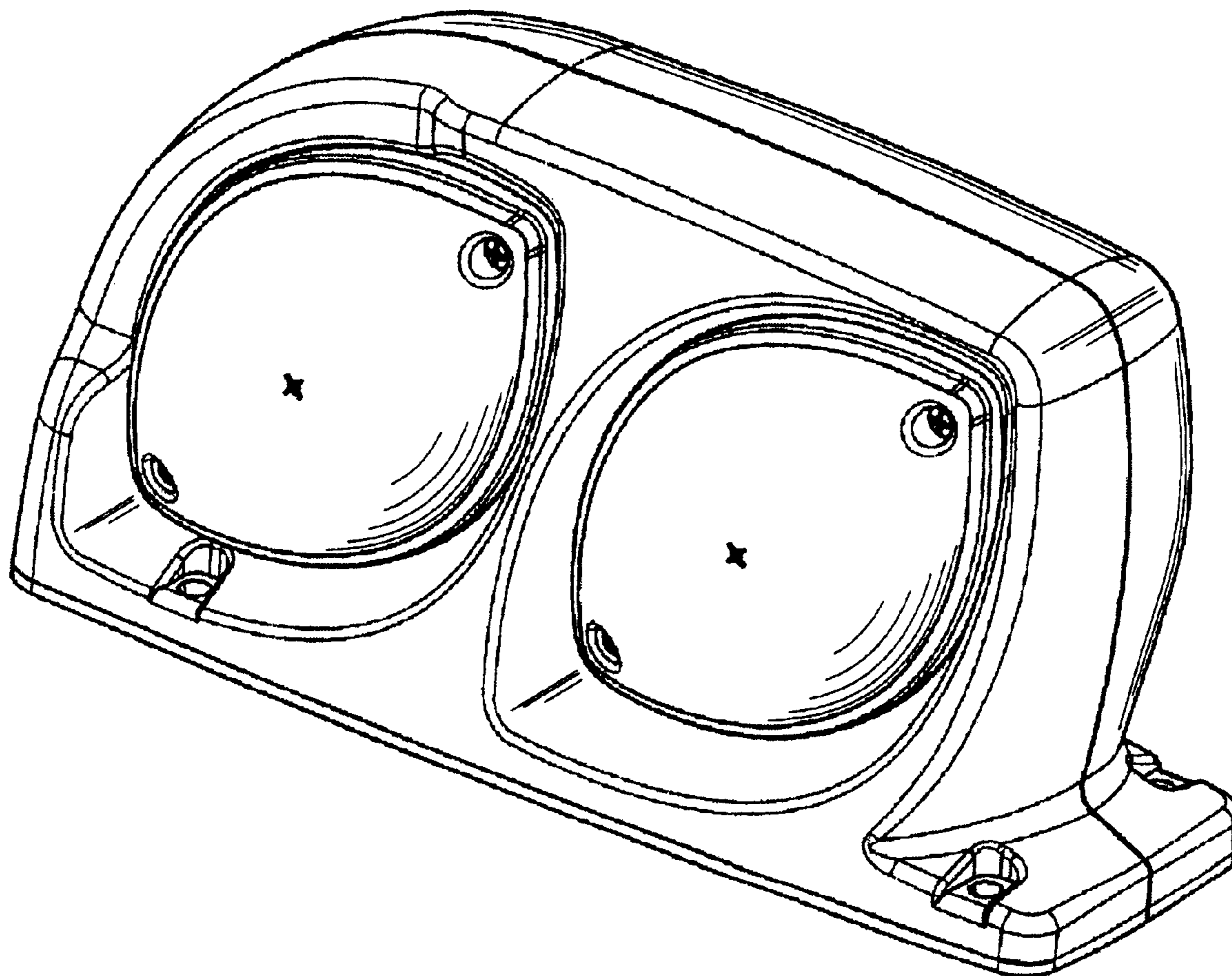
FIG. 4 is a back elevational view thereof;

FIG. 5 is a front elevational view thereof;

FIG. 6 is a top plan view thereof; and,

FIG. 7 is a bottom plan view thereof.

1 Claim, 7 Drawing Sheets



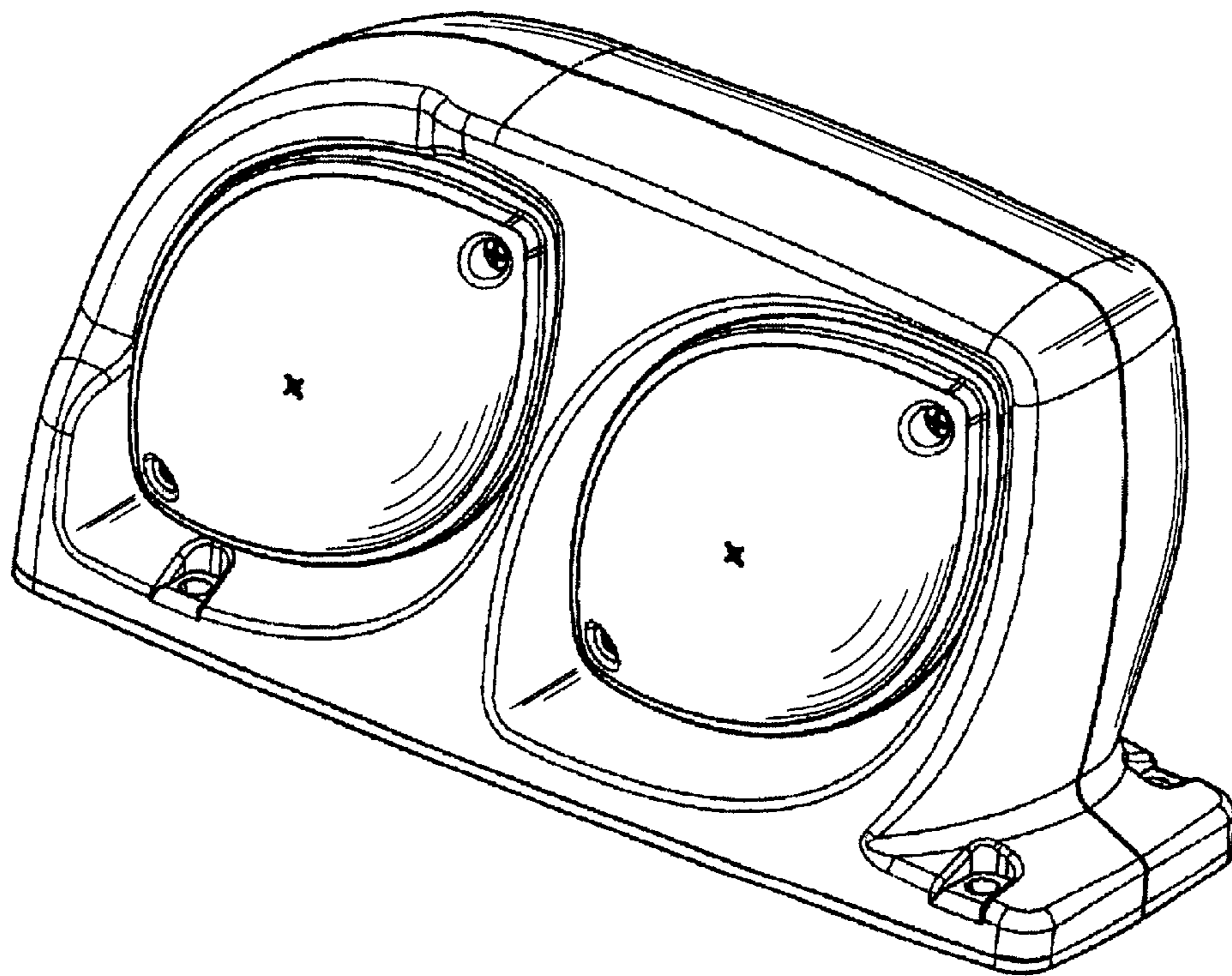


FIG 1

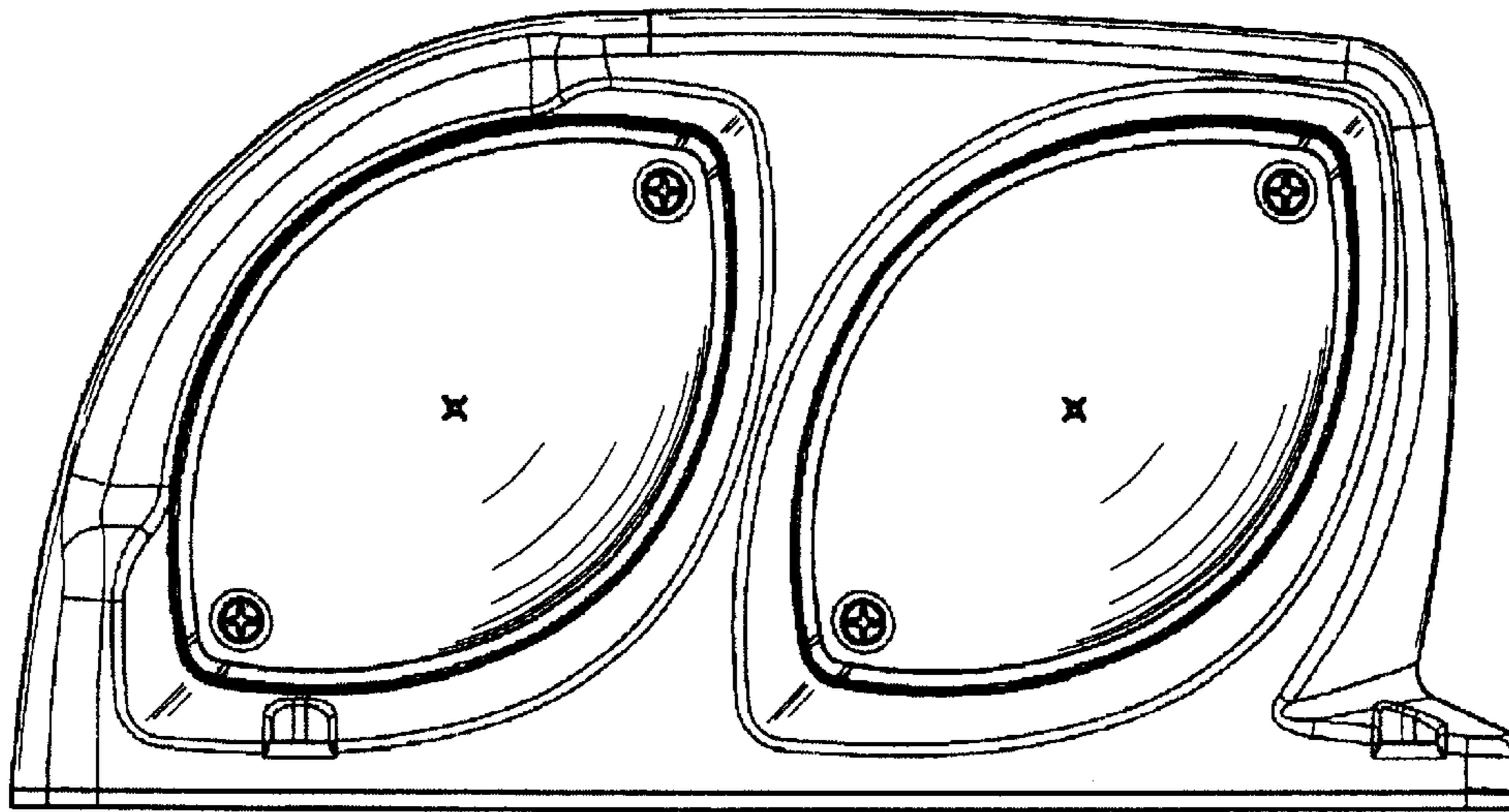


FIG 2

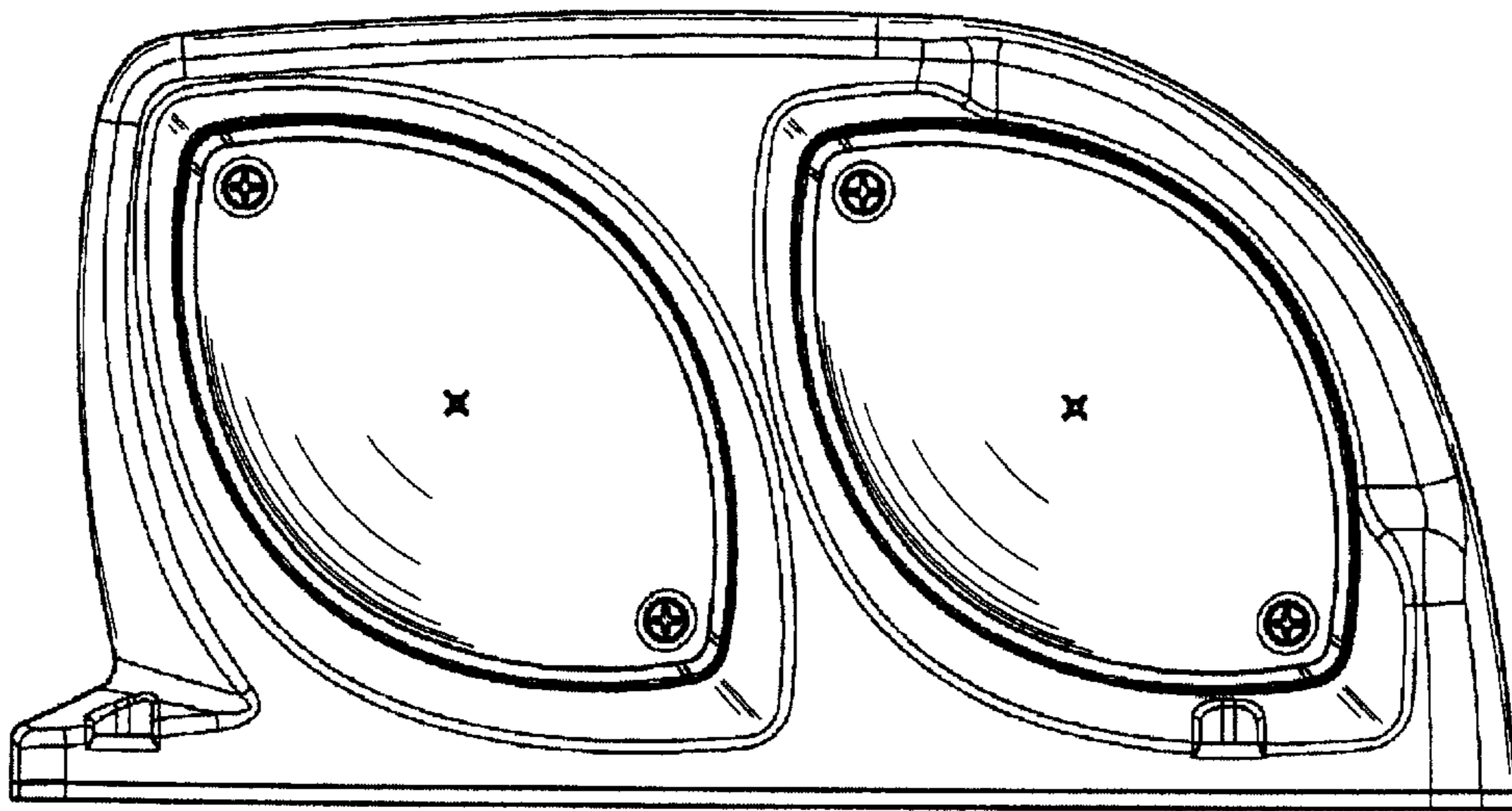


FIG 3

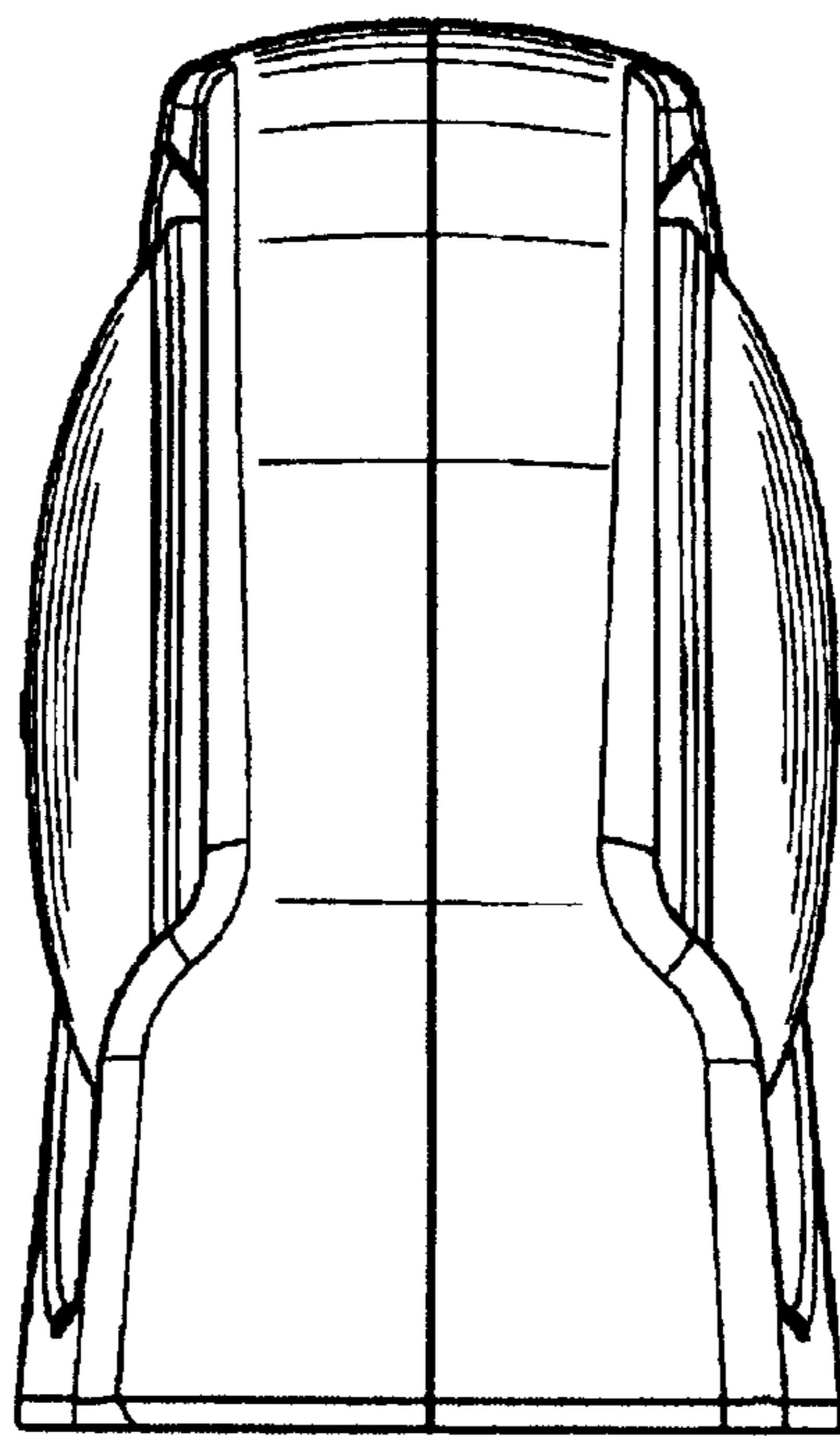


FIG 4

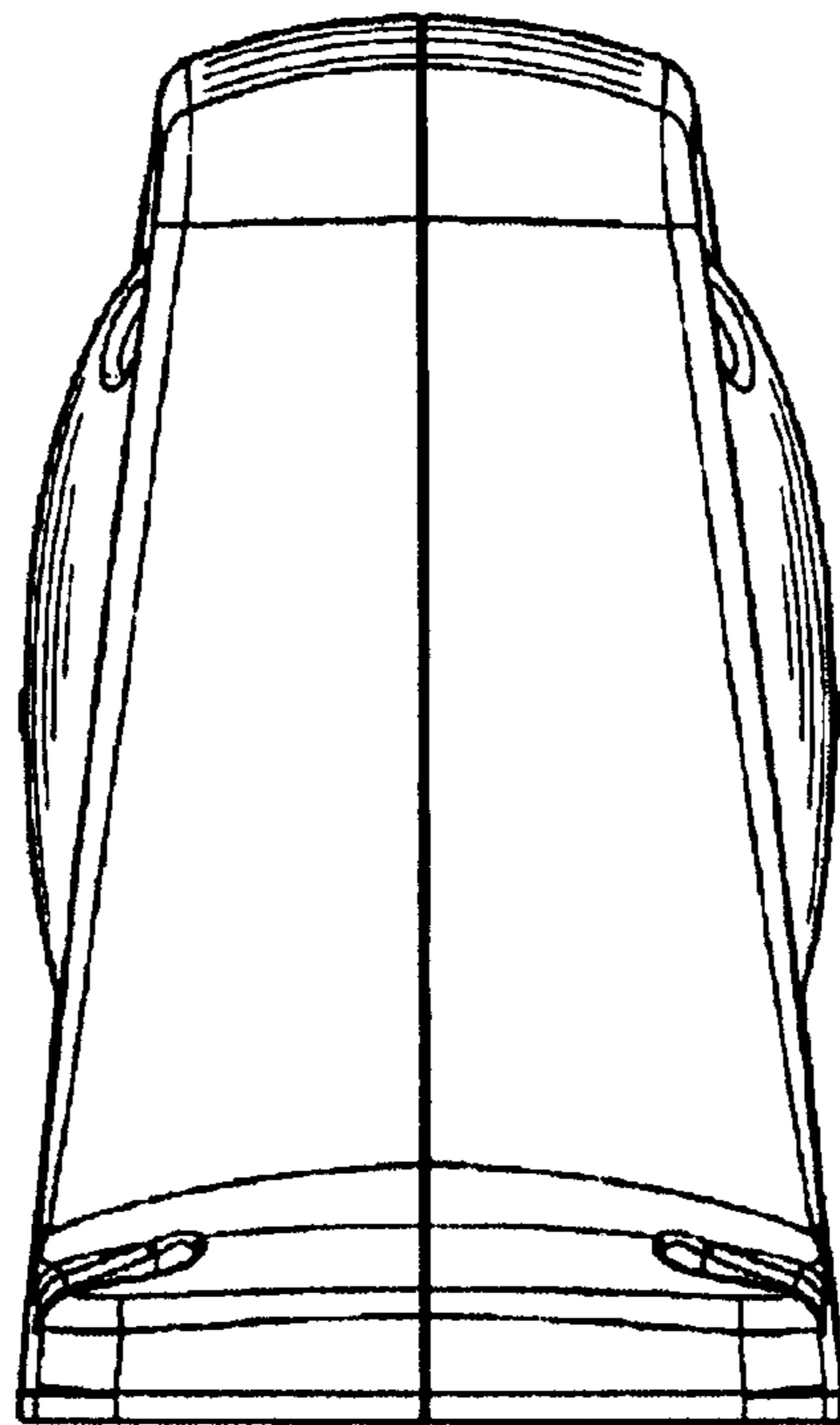


FIG 5

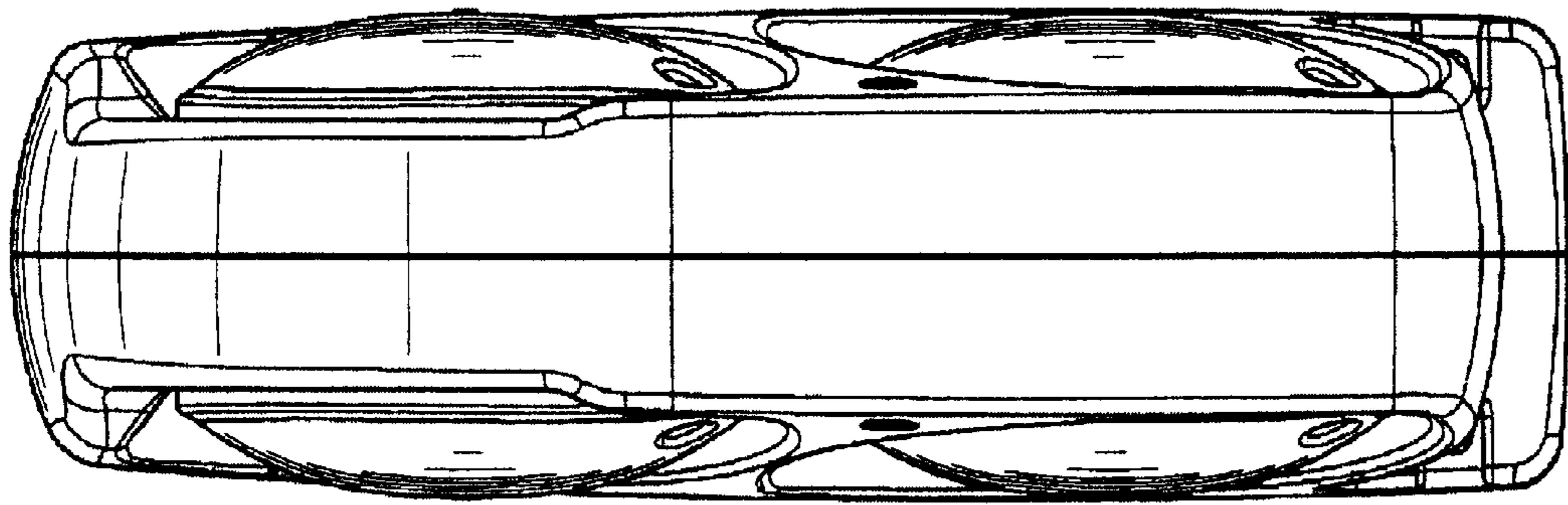


FIG 6

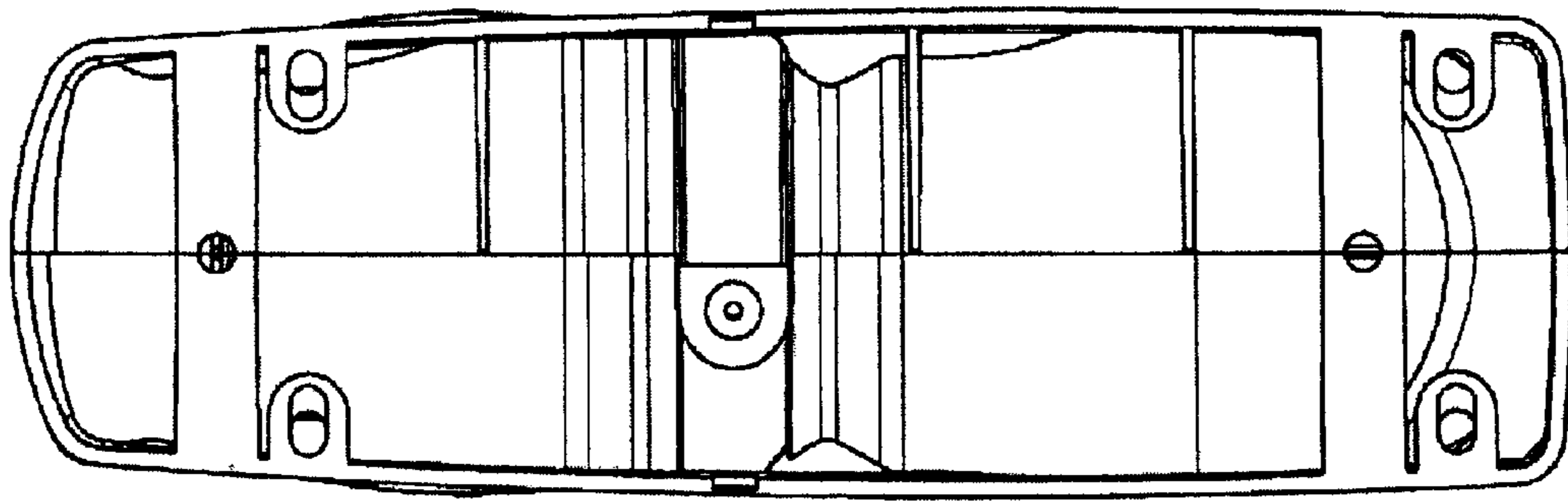


FIG 7