



US00D541948S

(12) **United States Design Patent** (10) **Patent No.:** **US D541,948 S**  
**Robson et al.** (45) **Date of Patent:** **\*\* May 1, 2007**

(54) **MOVABLE ROOM PARTITION**

(76) Inventors: **Emma Robson**, 635 E. 6th St., Apt. 2W, New York, NY (US) 10009;  
**Jonathan Pettingill**, 20 Grand Ave., #703, Brooklyn, NY (US) 11205

(\*\*) Term: **14 Years**

(21) Appl. No.: **29/226,881**

(22) Filed: **Apr. 2, 2005**

(51) **LOC (8) Cl.** ..... **25-02**

(52) **U.S. Cl.** ..... **D25/58**

(58) **Field of Classification Search** ..... D25/58,  
D25/138, 119; 52/238.1, 239, 243, 243.1,  
52/242, 262–263, 266–267

See application file for complete search history.

(56) **References Cited**

**U.S. PATENT DOCUMENTS**

5,371,982	A	*	12/1994	Douglas et al.	.....	52/243.1
D353,946	S	*	1/1995	Fischer et al.	.....	D6/332
D408,929	S	*	4/1999	Fear et al.	.....	D25/58
D481,466	S	*	10/2003	Mueller et al.	.....	D25/58
D485,368	S	*	1/2004	Hayashi	.....	D25/58
2003/0221383	A1	*	12/2003	Rutan et al.	.....	52/239

\* cited by examiner

*Primary Examiner*—Catherine R. Oliver

(74) *Attorney, Agent, or Firm*—Sofer & Haroun, LLP

(57) **CLAIM**

We claim the ornamental design for a movable room partition, as shown.

**DESCRIPTION**

FIG. 1 is a perspective view of the movable room partition showing the new design;

FIG. 2 is an enlarged view of the connector and sail from the partition as shown in FIG. 1, in accordance with the present invention;

FIG. 3 is an enlarged side elevation of the bottom foot of the partition as shown in FIG. 1, in accordance with the present invention;

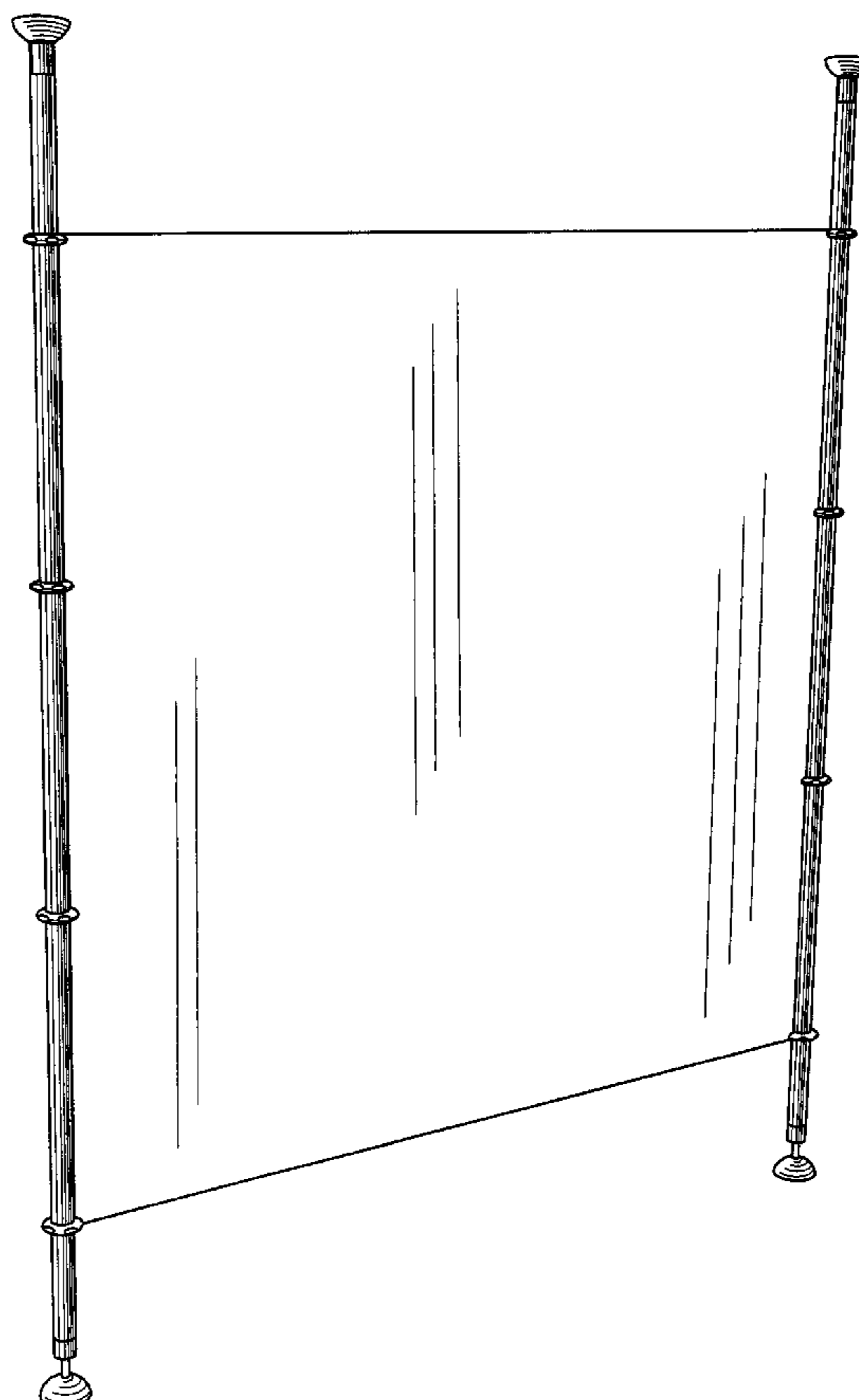
FIG. 4 is an enlarged side elevation of the top foot of the partition as shown in FIG. 1;

FIG. 5 is an enlarged illustration of the connector as shown in FIG. 1, shown in its two component parts, in accordance with the present invention.

FIG. 6 is an enlarged plan view of the connector as shown in FIG. 1, in accordance with the present invention; and,

FIG. 7 is an enlarged side elevation of the connector as shown in FIG. 1, in accordance with the present invention.

**1 Claim, 4 Drawing Sheets**



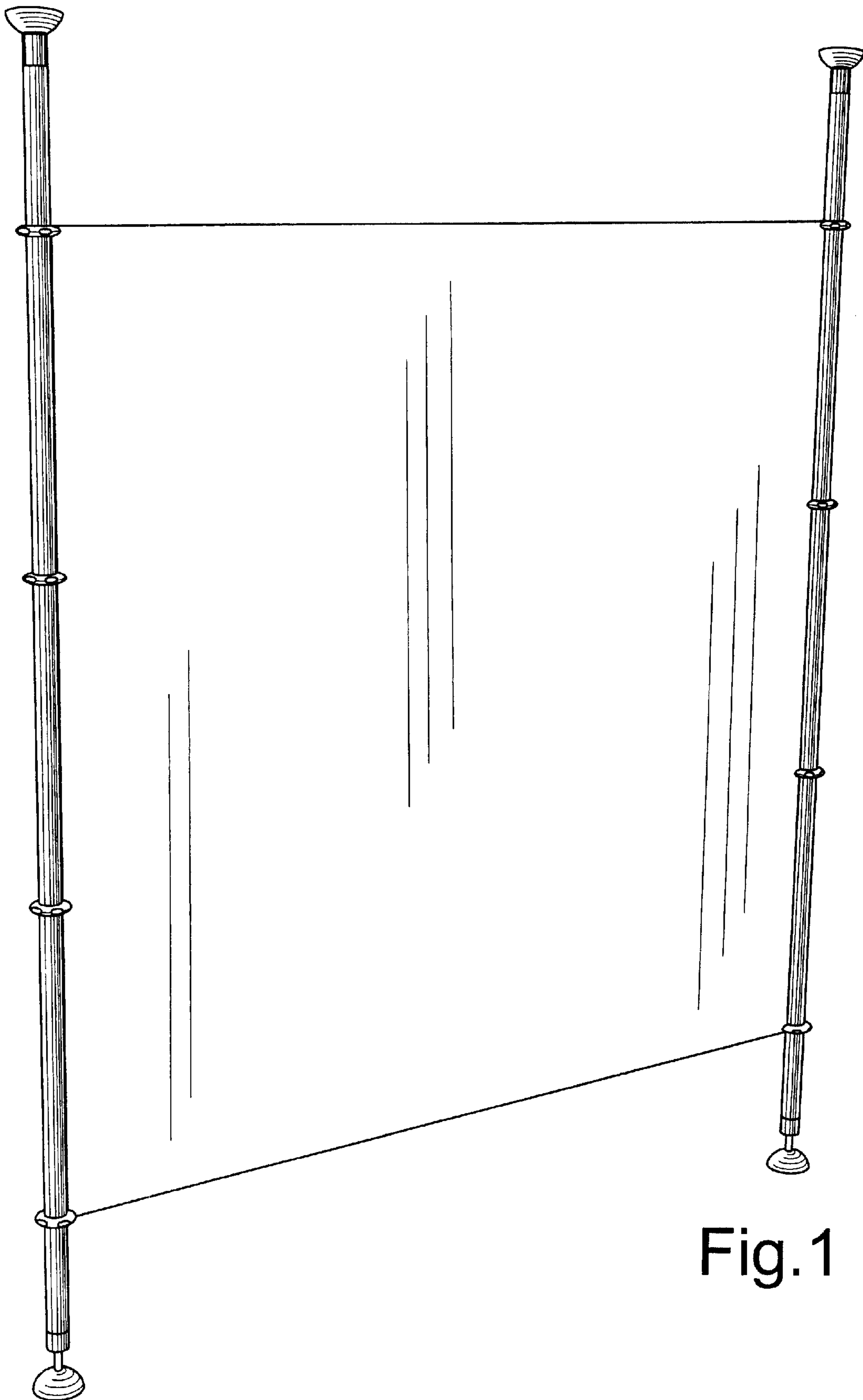


Fig. 1

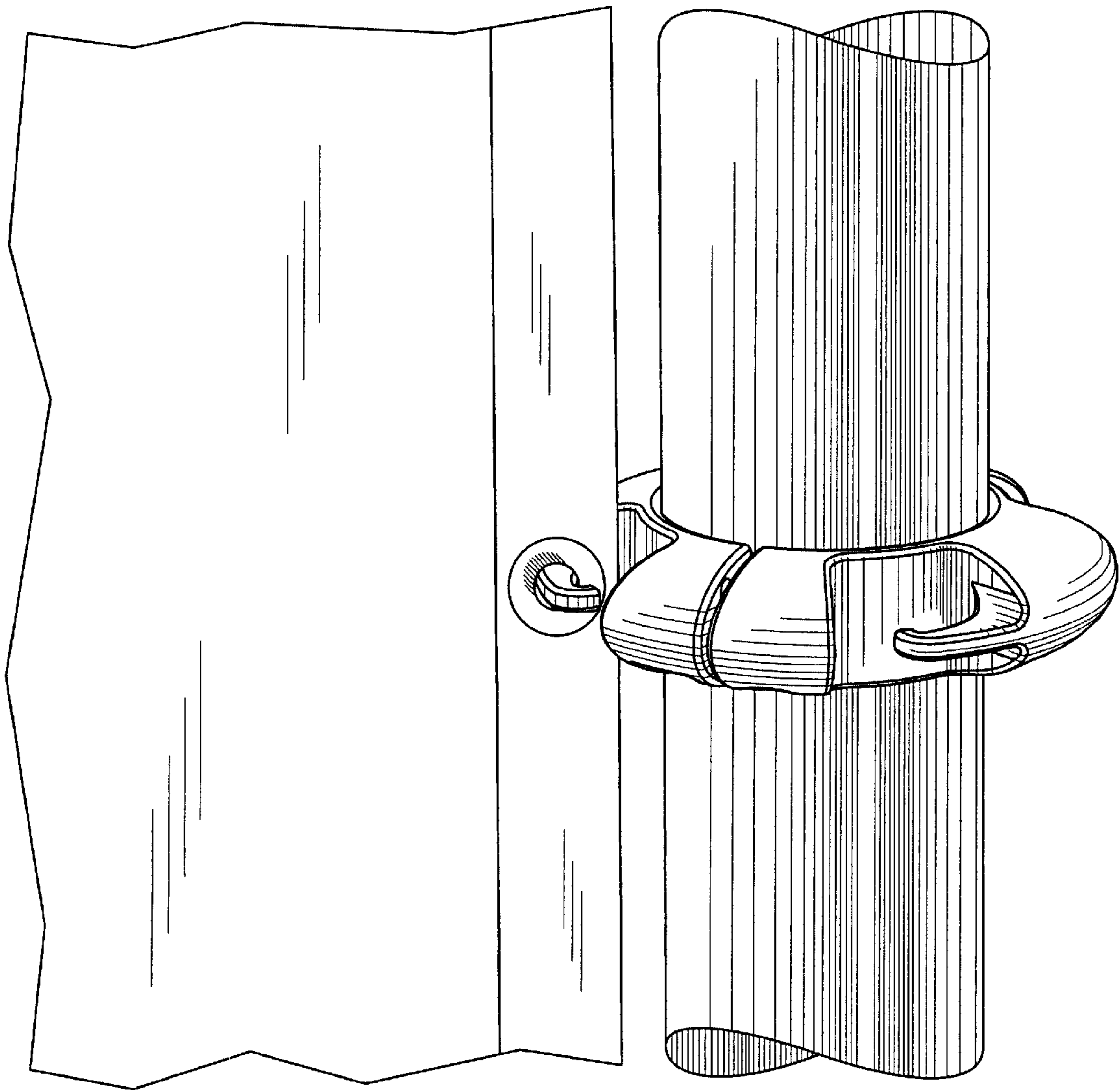


Fig.2

Fig.3

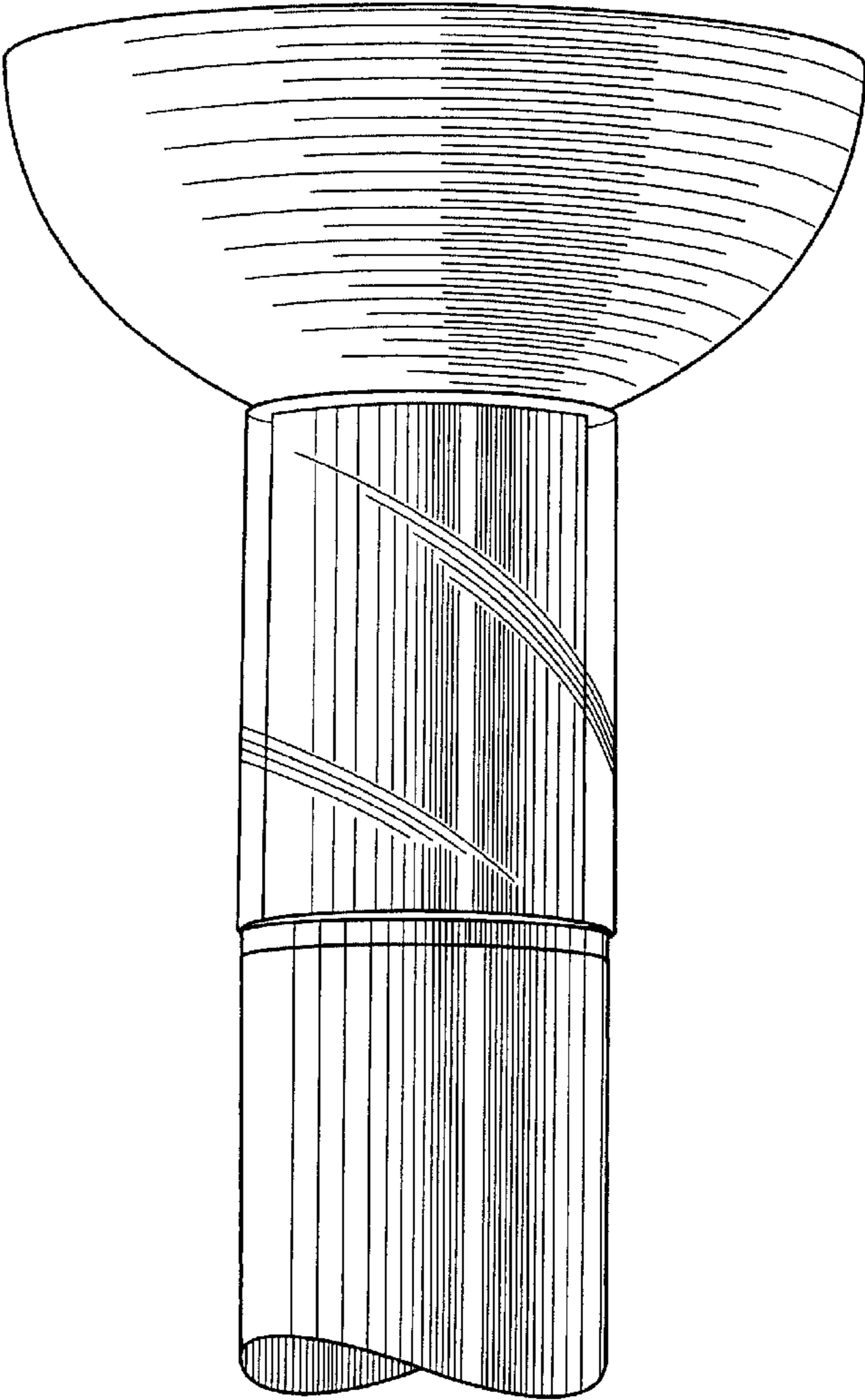
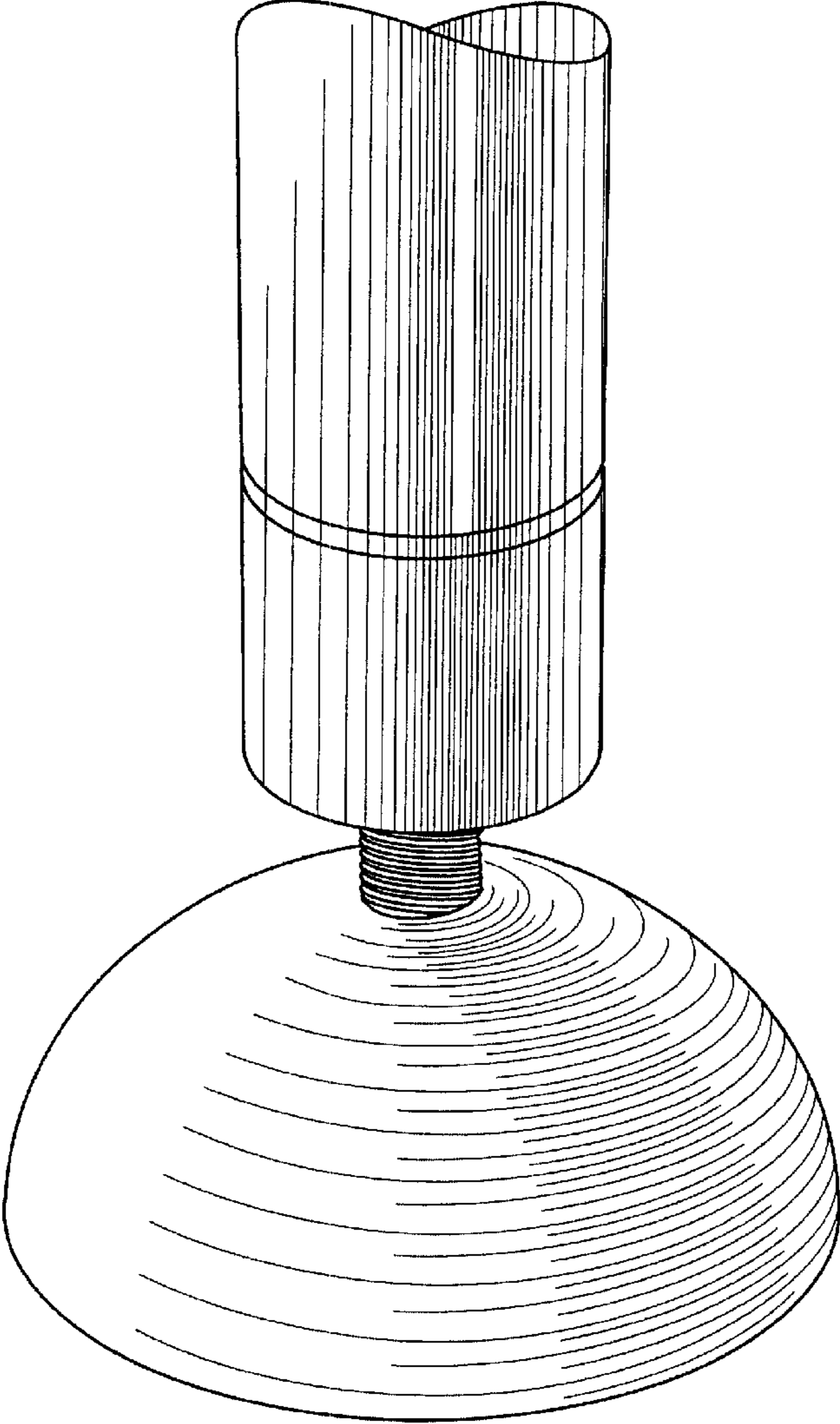


Fig.4

Fig.5

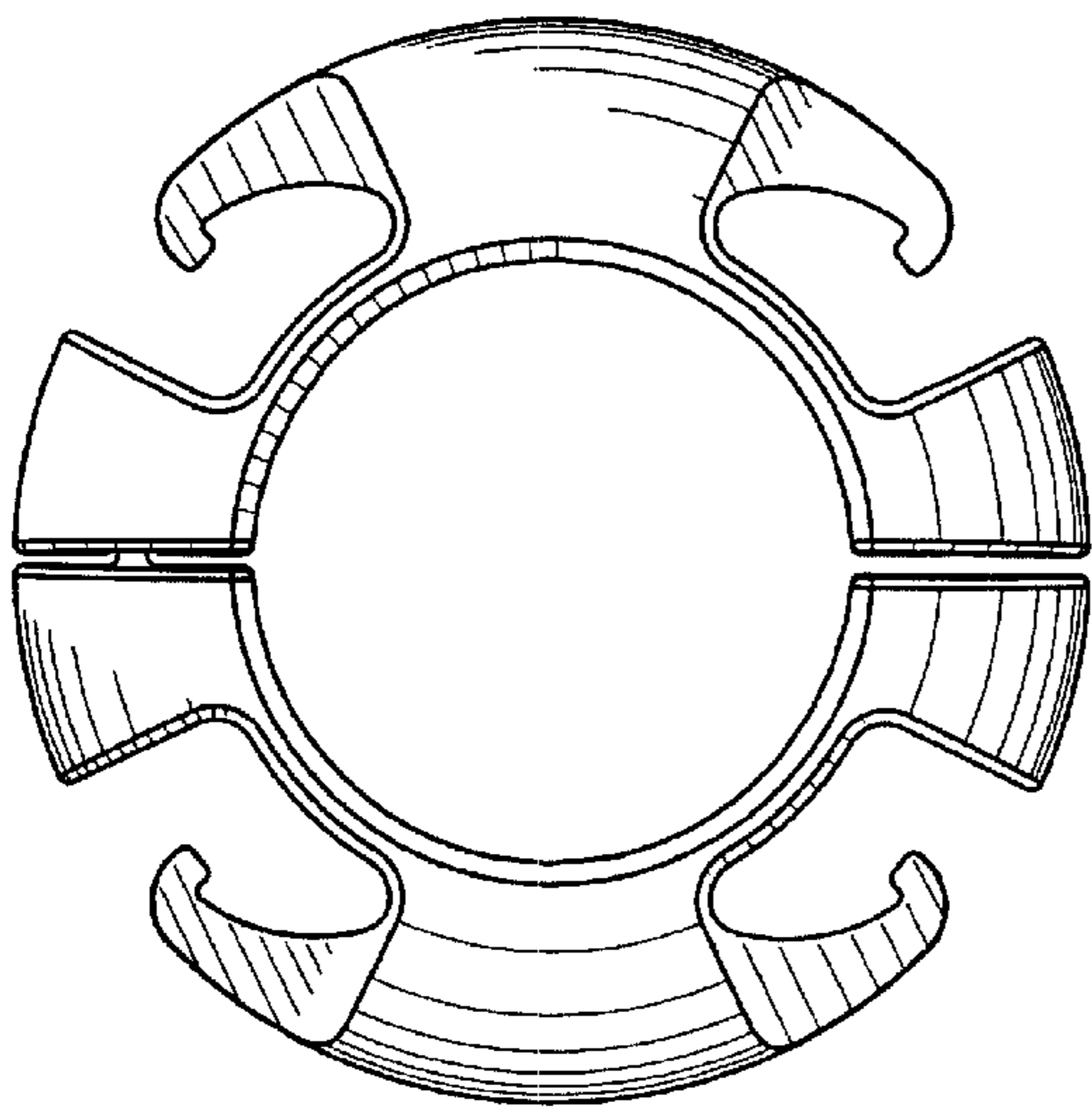
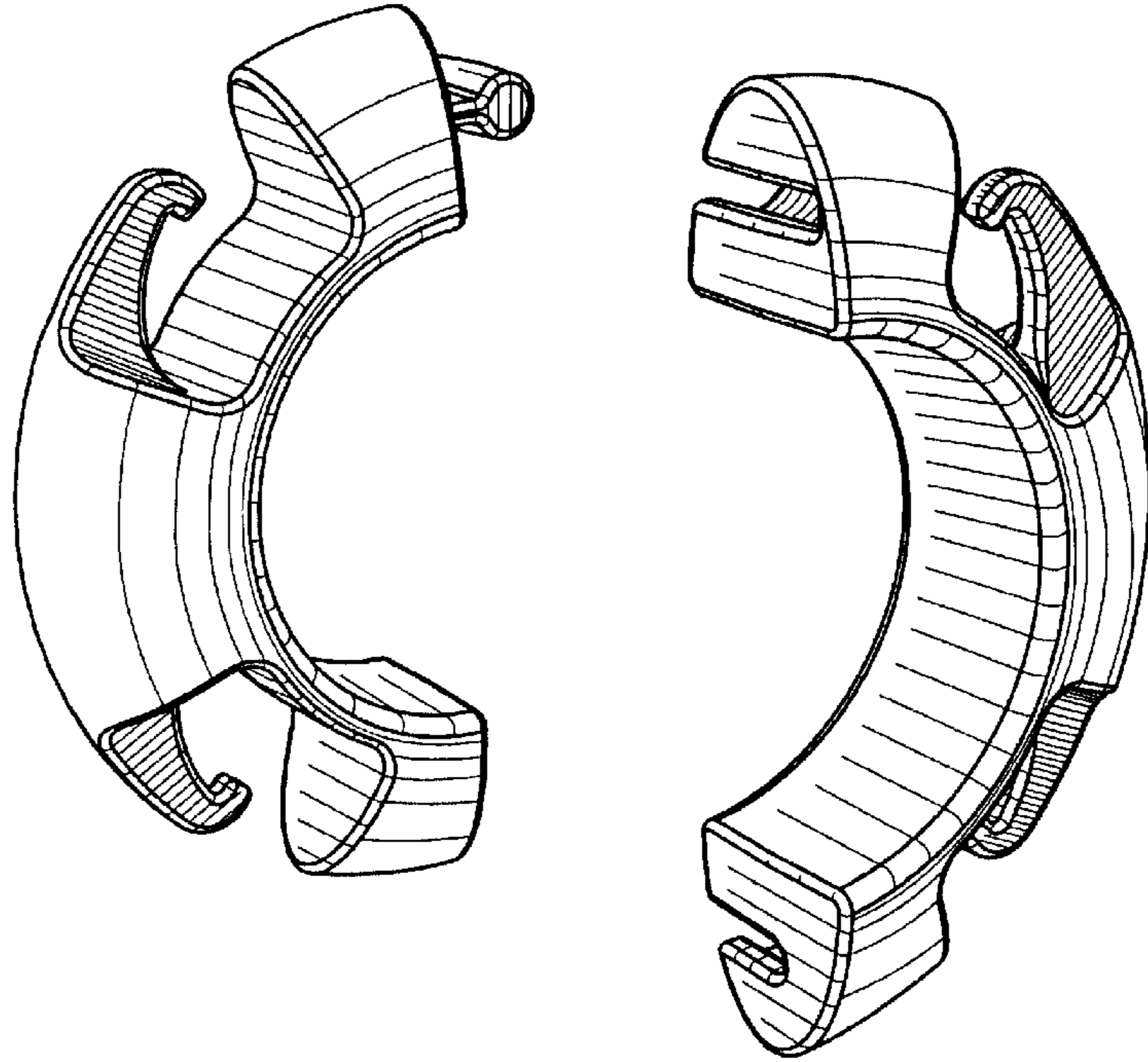


Fig.6

Fig.7

