



US00D541947S

(12) **United States Design Patent** (10) **Patent No.:** **US D541,947 S**  
**Schafernak et al.** (45) **Date of Patent:** **\*\* May 1, 2007**

(54) **PLANK DOOR**

(75) Inventors: **Dale E. Schafernak**, Palatine, IL (US);  
**Michael F. Steiber**, Naperville, IL (US);  
**Peggie A. Bolan**, Glenview, IL (US)

(73) Assignee: **Craftmaster Manufacturing, Inc.**,  
Chicago, IL (US)

(\*\*) Term: **14 Years**

(21) Appl. No.: **29/240,899**

(22) Filed: **Oct. 20, 2005**

(51) **LOC (8) Cl.** ..... **25-02**

(52) **U.S. Cl.** ..... **D25/48; D25/138**

(58) **Field of Classification Search** ..... D25/48;  
49/504, 501, DIG. 2; D6/561; 312/109, 326;  
52/507, 314, 316, 455, 457, 458

See application file for complete search history.

(56) **References Cited**

**U.S. PATENT DOCUMENTS**

D192,073 S	*	1/1962	Jackson	.....	D25/48
D288,489 S	*	2/1987	Tofani	.....	D25/48
4,876,838 A	*	10/1989	Hagemeyer	.....	52/455
D370,269 S	*	5/1996	Schafernak	.....	D25/48
5,852,910 A		12/1998	Zebedee		
6,067,699 A		5/2000	Jackson		
D426,645 S		6/2000	Bonomo et al.		
6,485,800 B1		11/2002	Liittschwager et al.		
6,497,265 B2		12/2002	Davis et al.		
D501,565 S		2/2005	Malicki et al.		
D501,931 S		2/2005	Davina et al.		

**OTHER PUBLICATIONS**

“The Collection”, Woodgrain Millwork, 1201 S. Karcher Road, P.O. Box 9489, Nampa, Idaho 83652-9489.

“SupaDoors, The End of the Boring Door”, Supa Doors Incorporated, 6450 Camp Bullis Road, San Antonio, Texas 78257.

\* cited by examiner

*Primary Examiner*—Doris Clark

(74) *Attorney, Agent, or Firm*—Katten Muchin Rosenman LLP; John S. Paniaguas

(57) **CLAIM**

The ornamental design for the plank door, as shown and described.

**DESCRIPTION**

FIG. 1 is a front elevational view of a door panel in accordance with the present invention.

FIG. 2 is a front elevational view of a second embodiment of a door panel.

FIG. 3 is a front elevational view of a third embodiment of a door panel.

FIG. 4 is a front elevational view of a fourth embodiment of a door panel.

FIG. 5 is a front elevational view of a fifth embodiment of a door panel.

FIG. 6 is a front elevational view of a sixth embodiment of a door panel.

FIG. 7 is a front elevational view of a seventh embodiment of a door panel.

FIG. 8 is a front elevational view of an eighth embodiment of a door panel.

FIG. 9 is a cross-sectional view of the door panel illustrated in FIG. 1 taken along line 9—9.

FIG. 10 is a cross-sectional view of the door panel illustrated in FIG. 2 taken along line 10—10.

FIG. 11 is a cross-sectional view of the door panel illustrated in FIG. 3 taken along line 11—11.

FIG. 12 is a cross-sectional view of the door panel illustrated in FIG. 4 taken along line 12—12.

FIG. 13 is a cross-sectional view of the door panel illustrated in FIG. 5 taken along line 13—13.

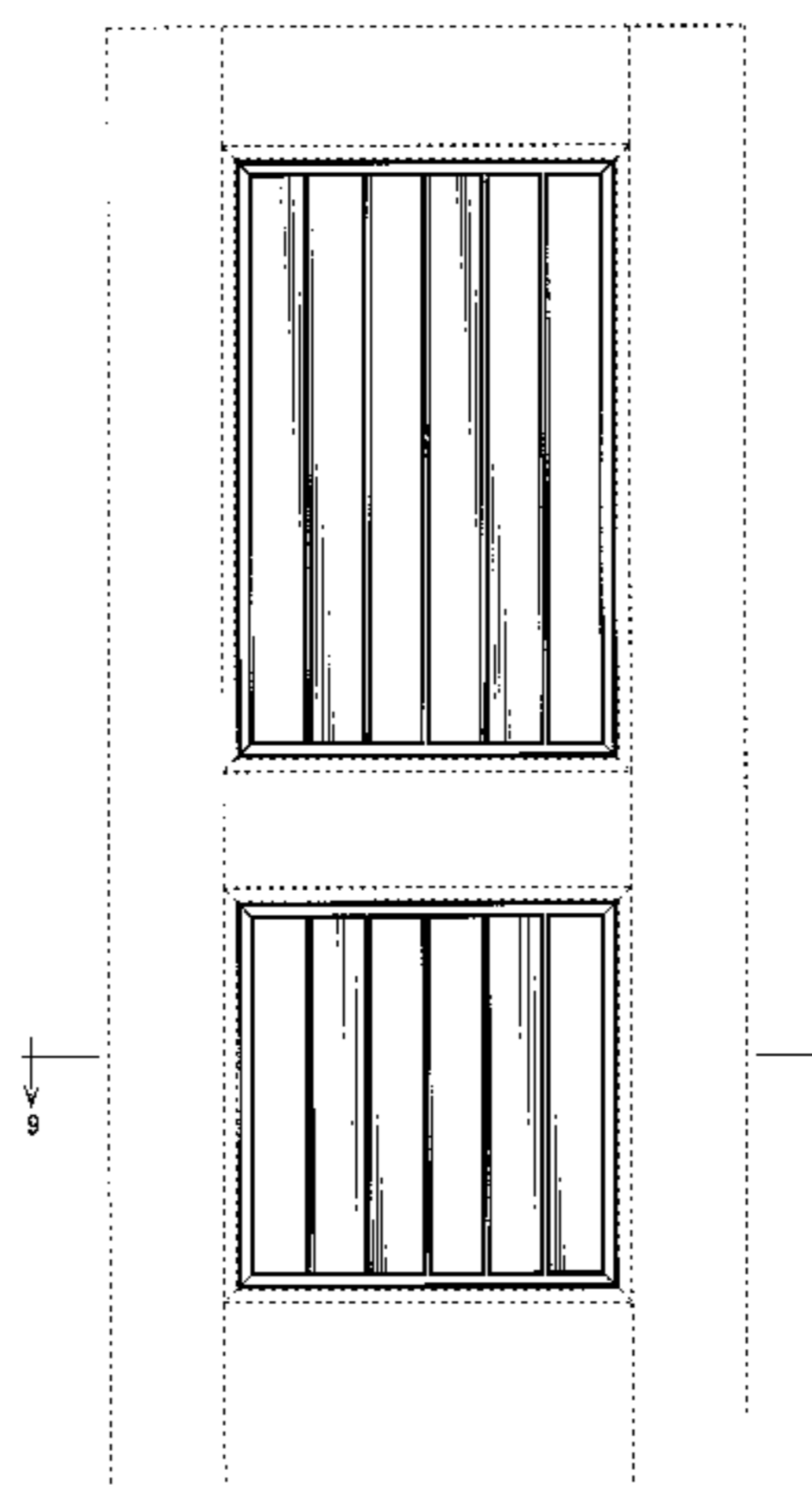
FIG. 14 is a cross-sectional view of the door panel illustrated in FIG. 6 taken along line 14—14.

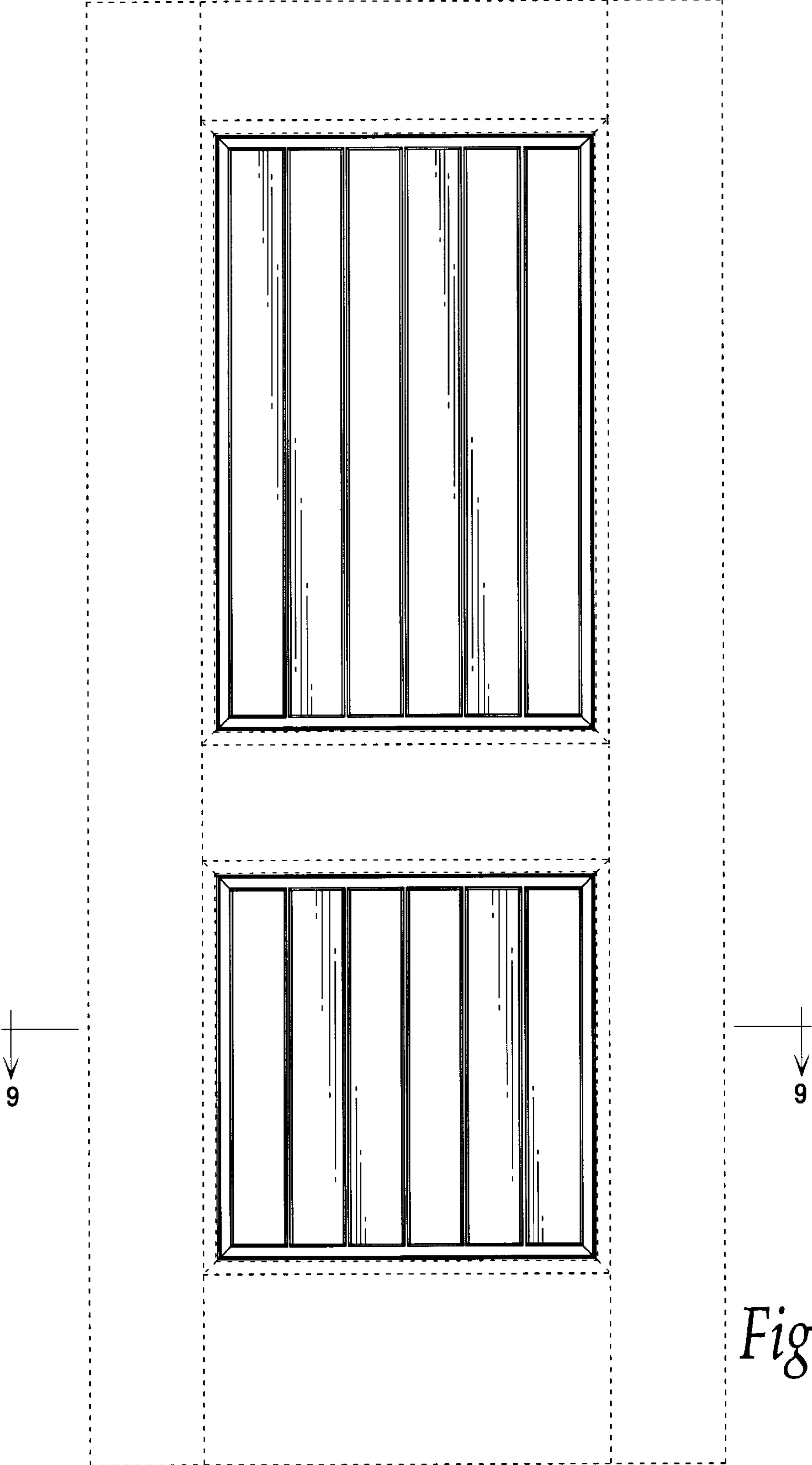
FIG. 15 is a cross-sectional view of the door panel illustrated in FIG. 7 taken along line 15—15.

FIG. 16 is a cross-sectional view of the door panel illustrated in FIG. 8 taken along line 16—16; and,

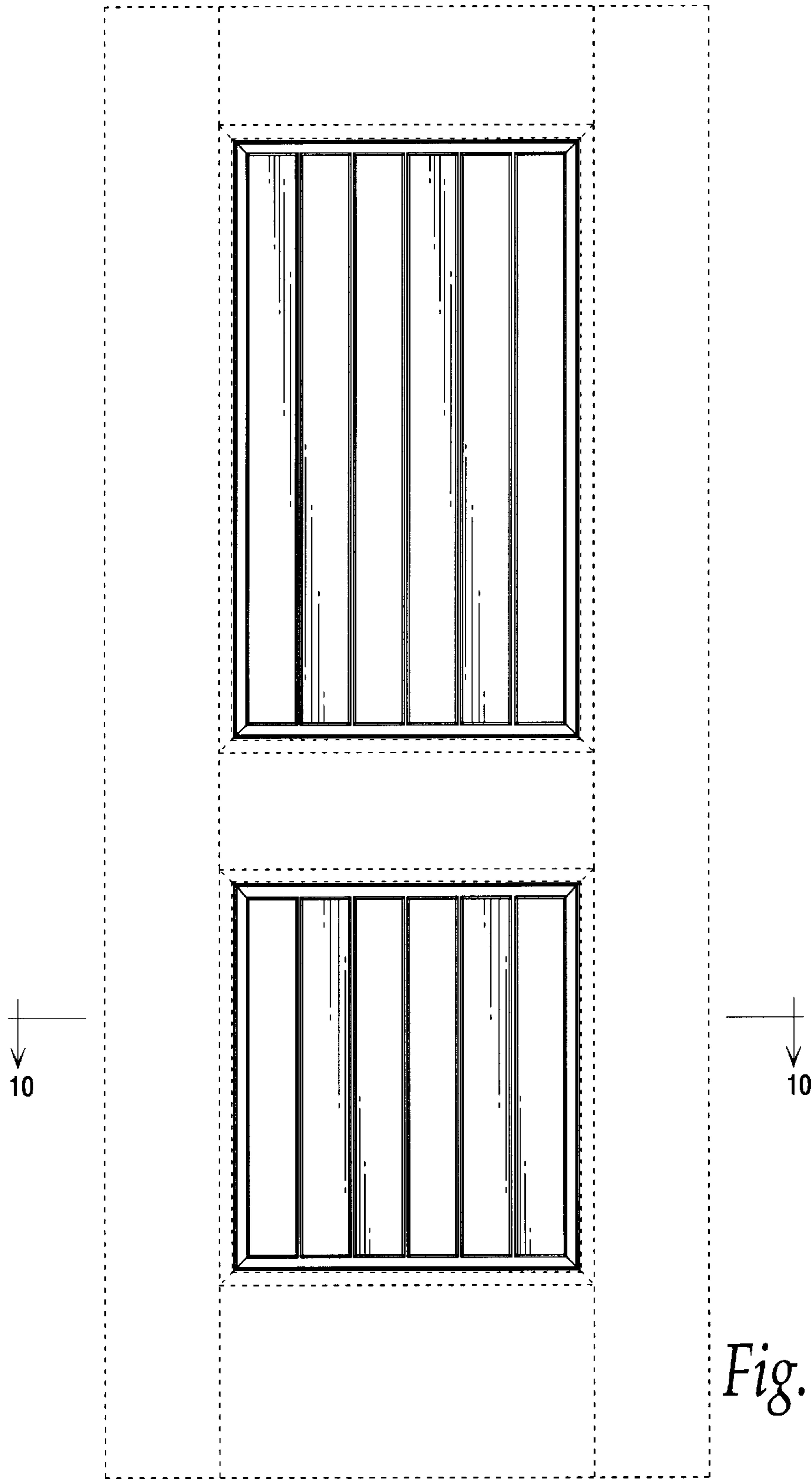
FIG. 17 is an enlarged perspective view of a portion of the door panel illustrated in FIGS. 1—8.

**1 Claim, 10 Drawing Sheets**

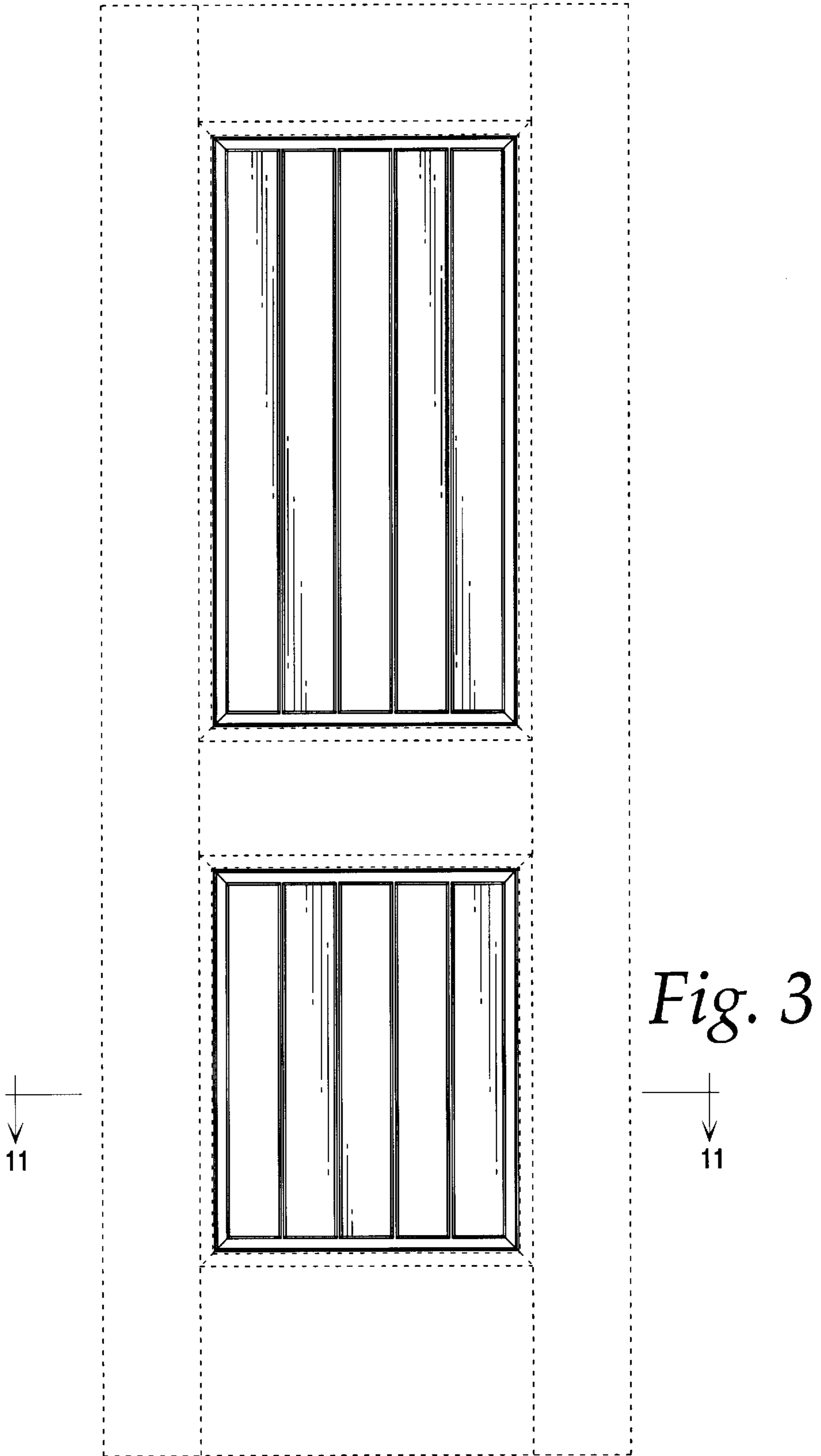


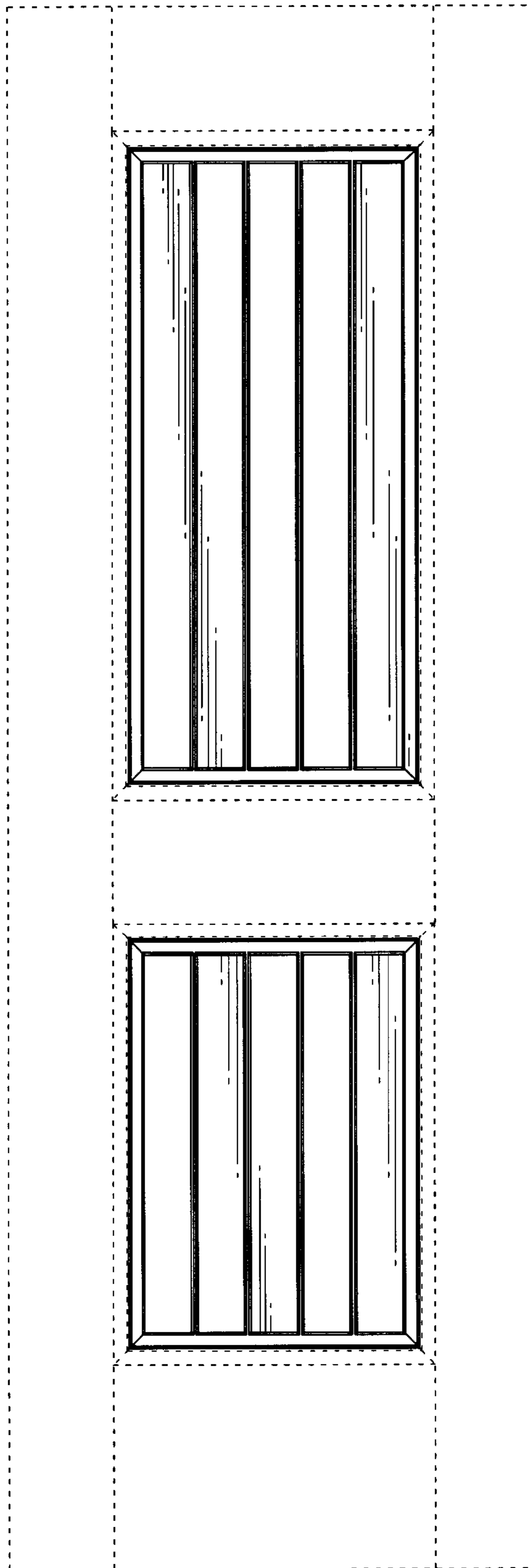


*Fig. 1*



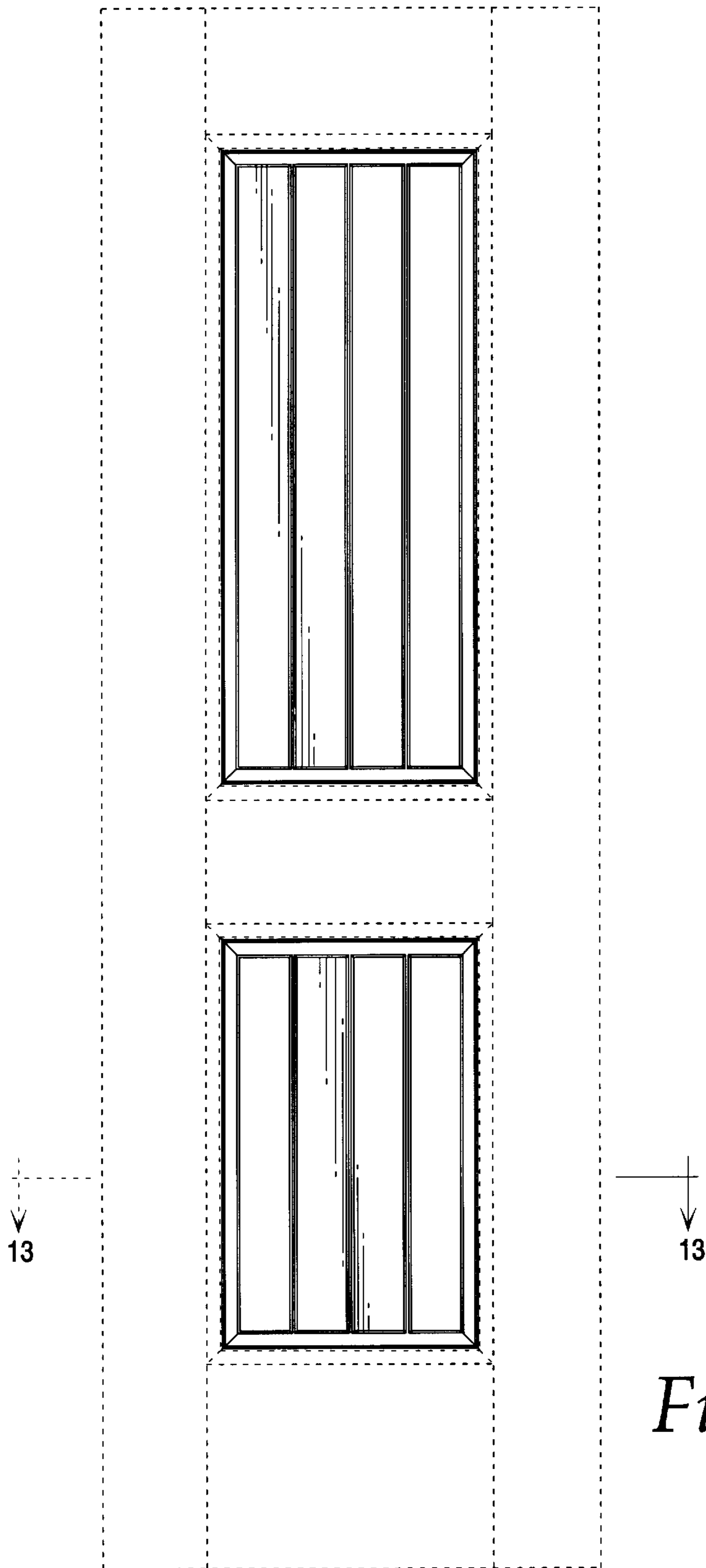
*Fig. 2*



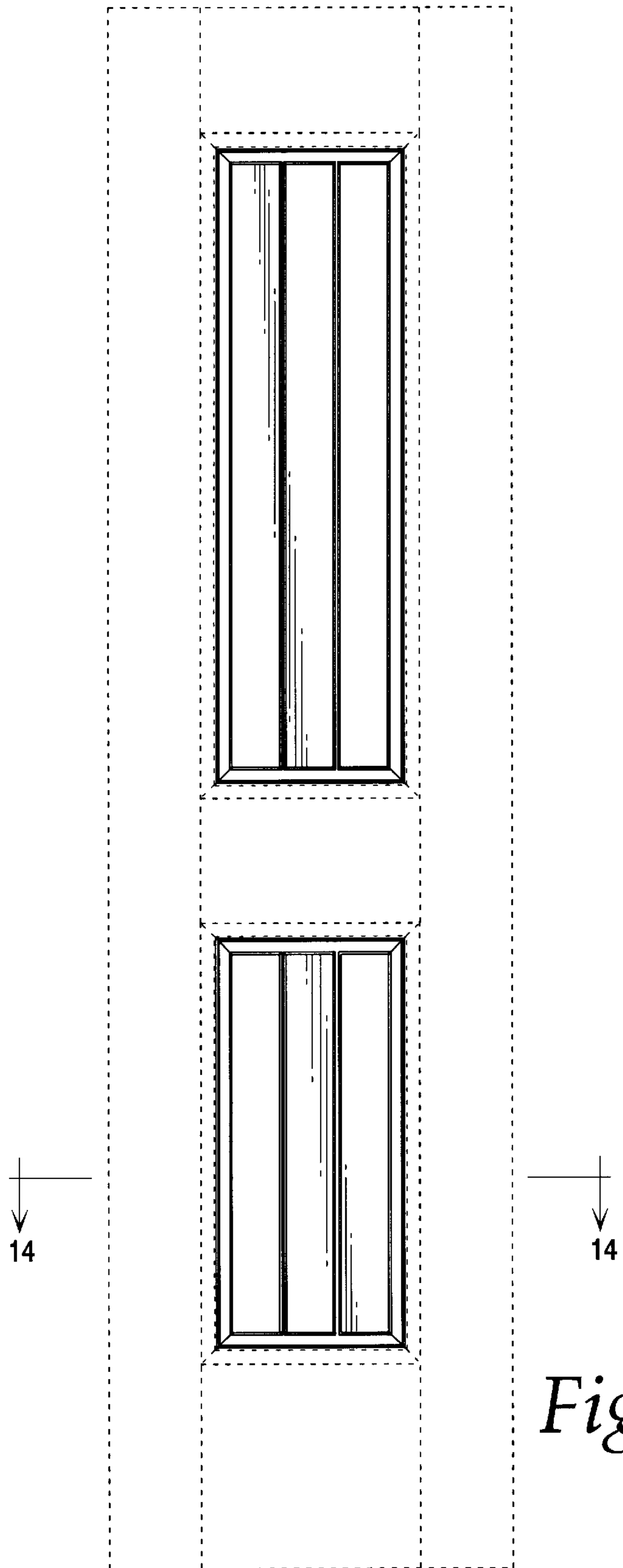


↓  
12

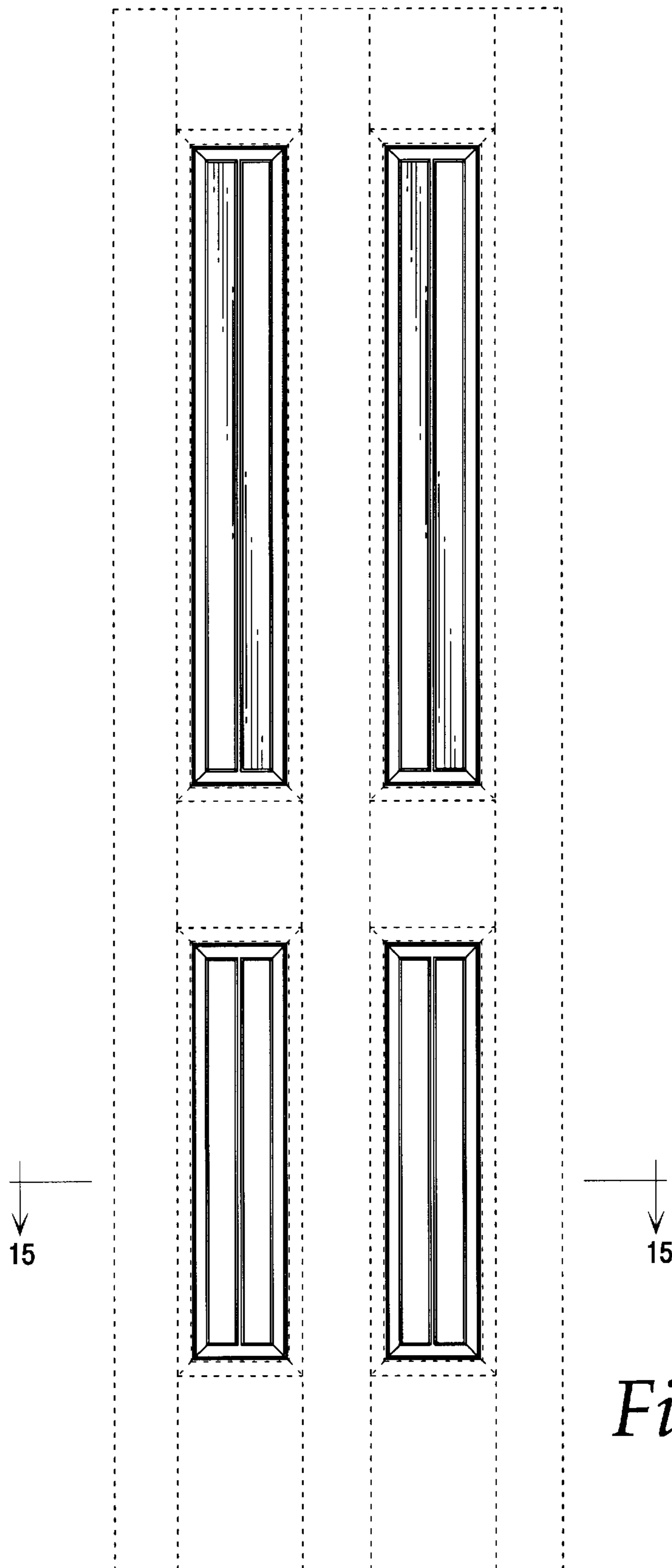
*Fig. 4*  
↓  
12



*Fig. 5*

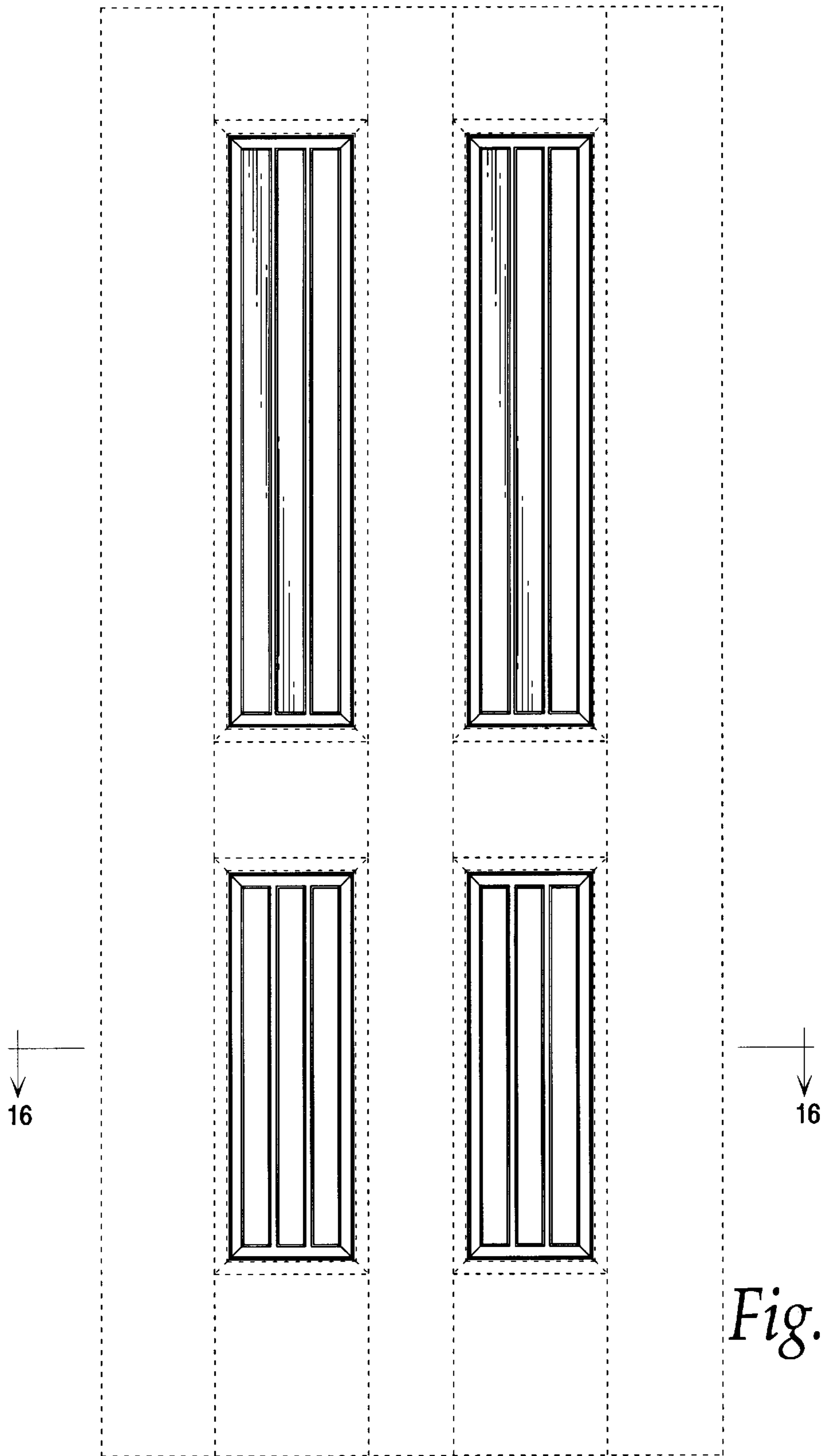


*Fig. 6*



*Fig. 7*





*Fig. 8*



Fig. 9



Fig. 10



Fig. 11

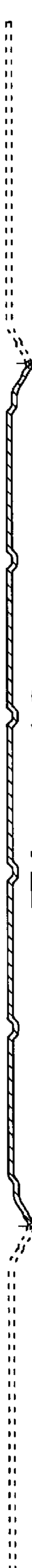


Fig. 12

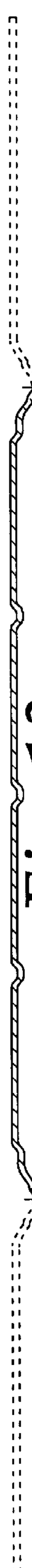


Fig. 13



Fig. 14



Fig. 15

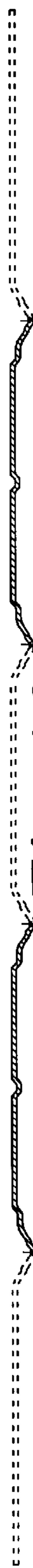


Fig. 16

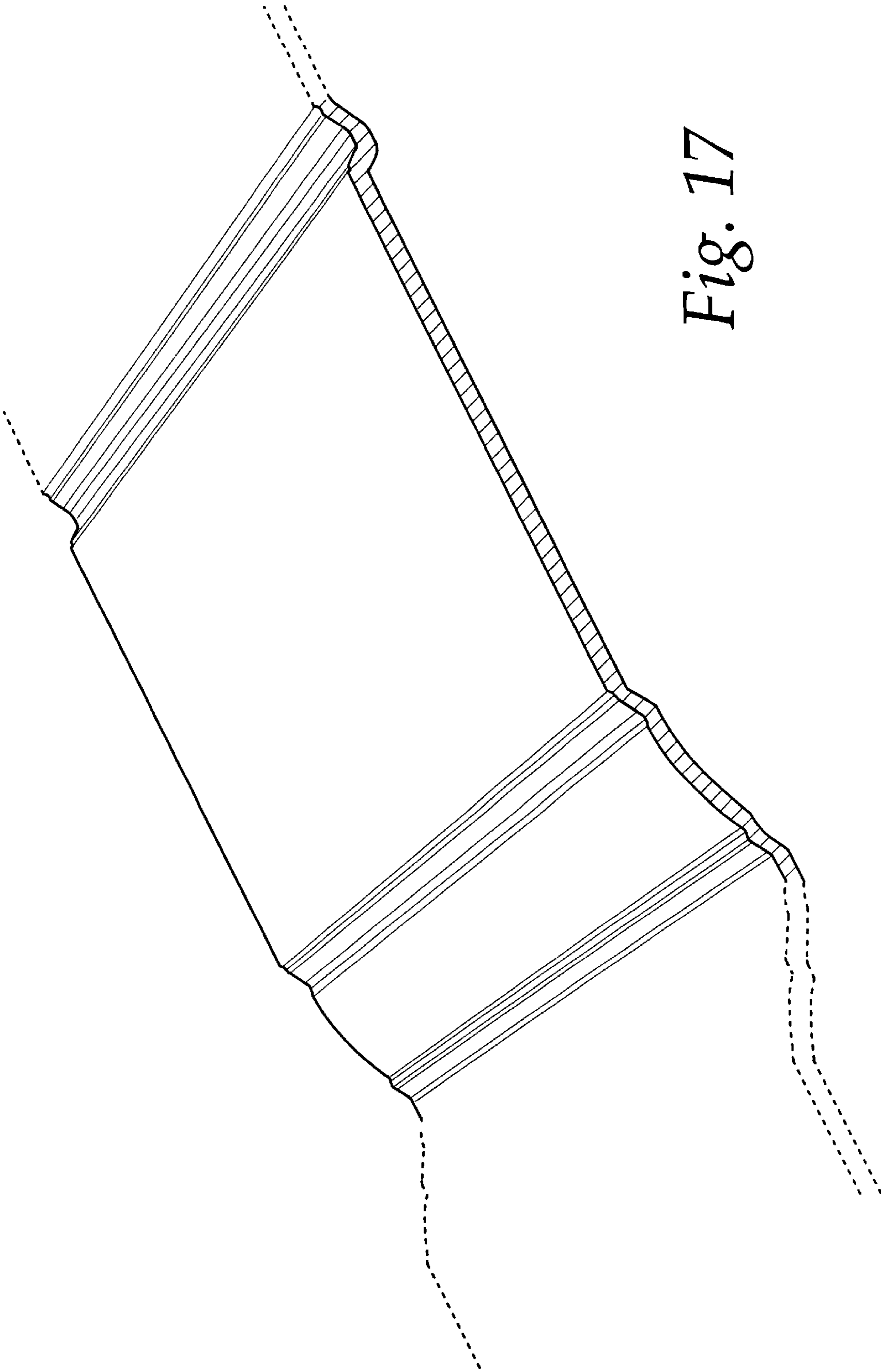


Fig. 17