



US00D541942S

(12) **United States Design Patent**  
**Hirson et al.**

(10) **Patent No.:** **US D541,942 S**

(45) **Date of Patent:** **\*\* May 1, 2007**

(54) **CART**

(75) Inventors: **Desmond Hirson**, Thornhill (CA); **Eric Michael Rieder**, Georgetown (CA); **Nitesh Mistry**, Markham (CA)

(73) Assignee: **VisualSonics Inc.**, Toronto (CA)

(\*\*) Term: **14 Years**

(21) Appl. No.: **29/221,590**

(22) Filed: **Jan. 18, 2005**

(51) **LOC (8) Cl.** ..... **24-01**

(52) **U.S. Cl.** ..... **D24/185**

(58) **Field of Classification Search** ..... D24/107-108,  
D24/111, 144, 160, 167, 169, 172, 185-186,  
D24/231-232; D34/12, 14; 280/47.34; 312/209,  
312/223.1-223.2, 249.12; 600/1-3, 104,  
600/437, 443; 606/32-34

See application file for complete search history.

(56) **References Cited**

**U.S. PATENT DOCUMENTS**

4,625,731 A \* 12/1986 Quedens et al. .... 600/443  
D300,241 S \* 3/1989 LaCelle et al. .... D24/160  
D347,896 S \* 6/1994 Dickinson et al. .... D24/185  
D387,168 S \* 12/1997 Edelman et al. .... D24/186  
D410,544 S \* 6/1999 Metzler et al. .... D24/172

6,022,088 A \* 2/2000 Metzler ..... 312/209  
D438,952 S \* 3/2001 Cimino et al. .... D24/107  
D447,567 S \* 9/2001 Murphy et al. .... D24/172  
D467,001 S \* 12/2002 Buczek et al. .... D24/172  
6,626,445 B2 \* 9/2003 Murphy et al. .... 312/209  
6,629,927 B1 \* 10/2003 Mesaros et al. .... 600/437  
D517,768 S \* 3/2006 Arceta ..... D24/185

\* cited by examiner

*Primary Examiner*—Robert A. Delehanty

*Assistant Examiner*—Mark Cavanna

(74) *Attorney, Agent, or Firm*—Needle & Rosenberg, P.C.

(57) **CLAIM**

The ornamental design for a cart, as shown and described.

**DESCRIPTION**

FIG. 1 is a front perspective view of a cart showing our new design;

FIG. 2 is a front view thereof;

FIG. 3 is a back view thereof;

FIG. 4 is a right side thereof;

FIG. 5 is a left side thereof;

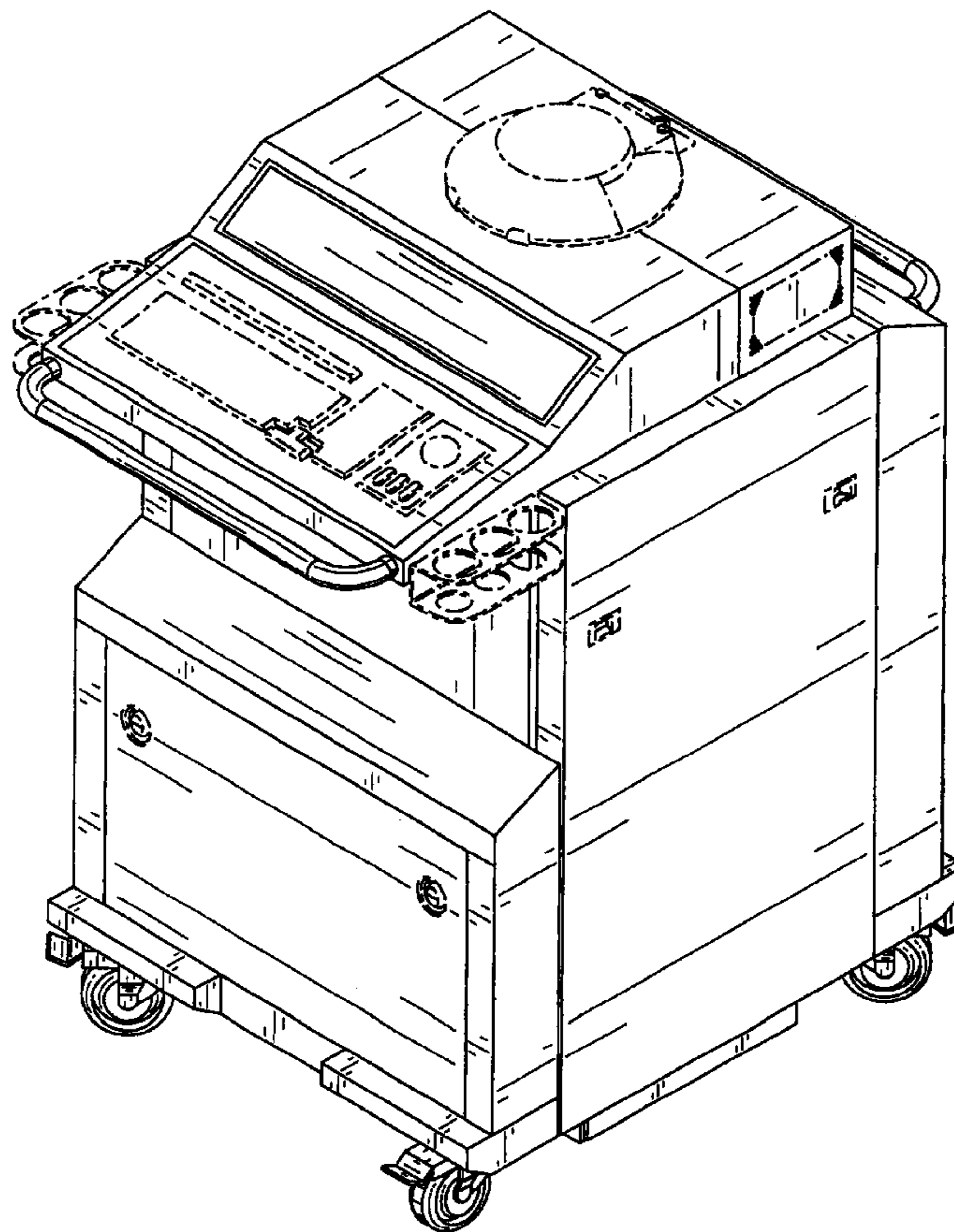
FIG. 6 is a top view thereof;

FIG. 7 is a bottom thereof; and,

FIG. 8 is a back perspective view thereof.

The broken lines shown in FIGS. 1, 4, 5 are for illustrative purposes only and form no part of the claimed design.

**1 Claim, 8 Drawing Sheets**



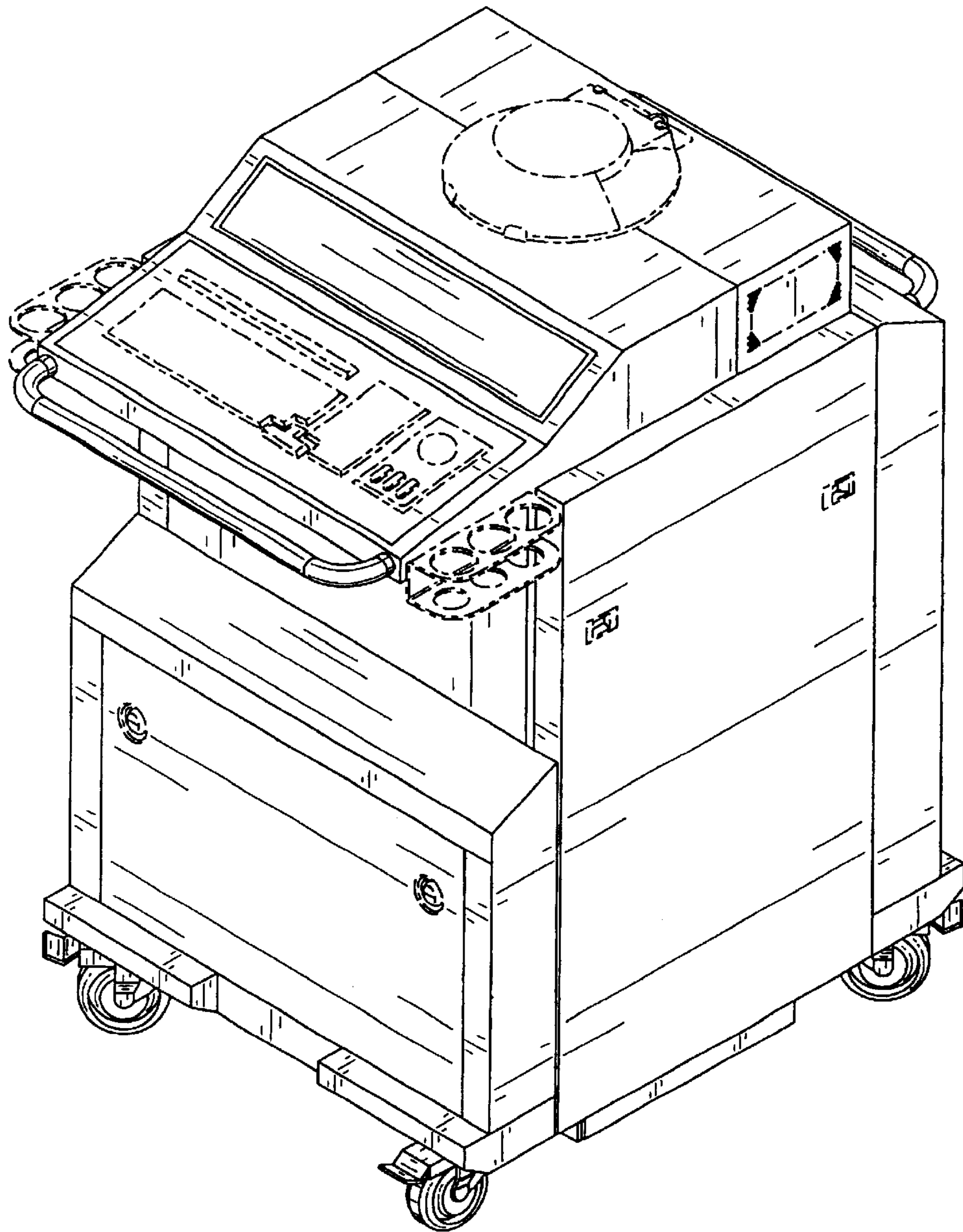


FIG. 1

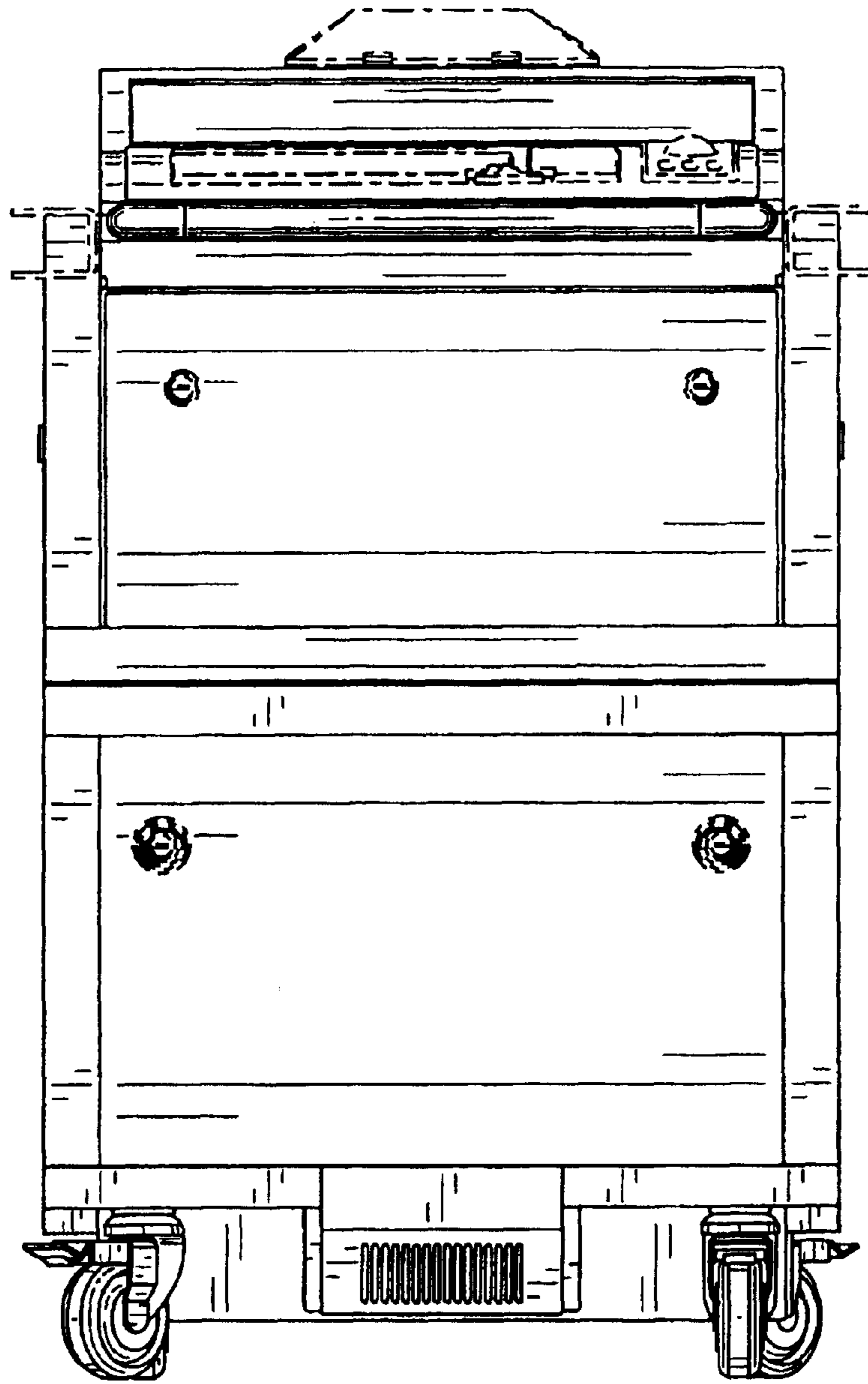


FIG. 2

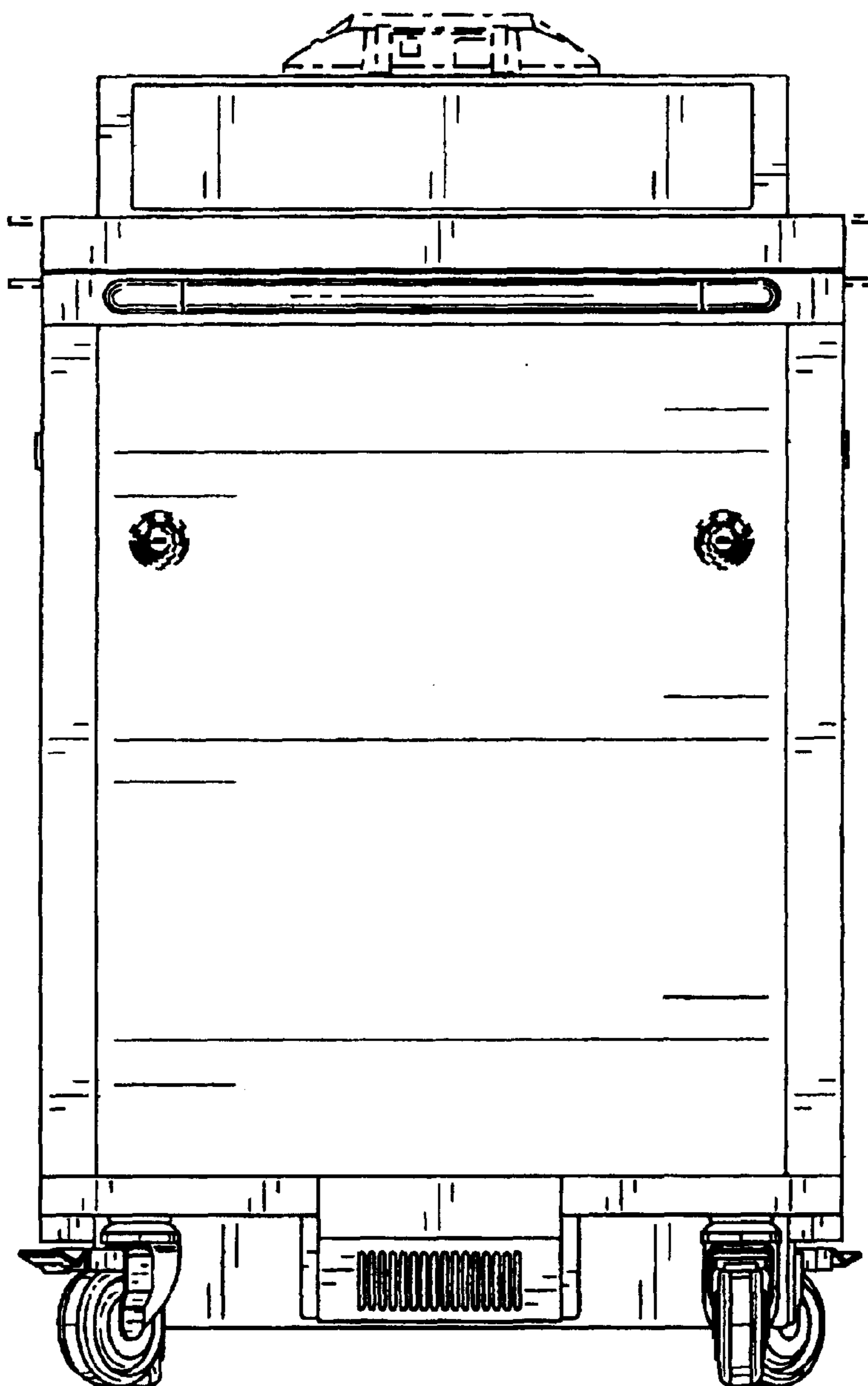


FIG. 3

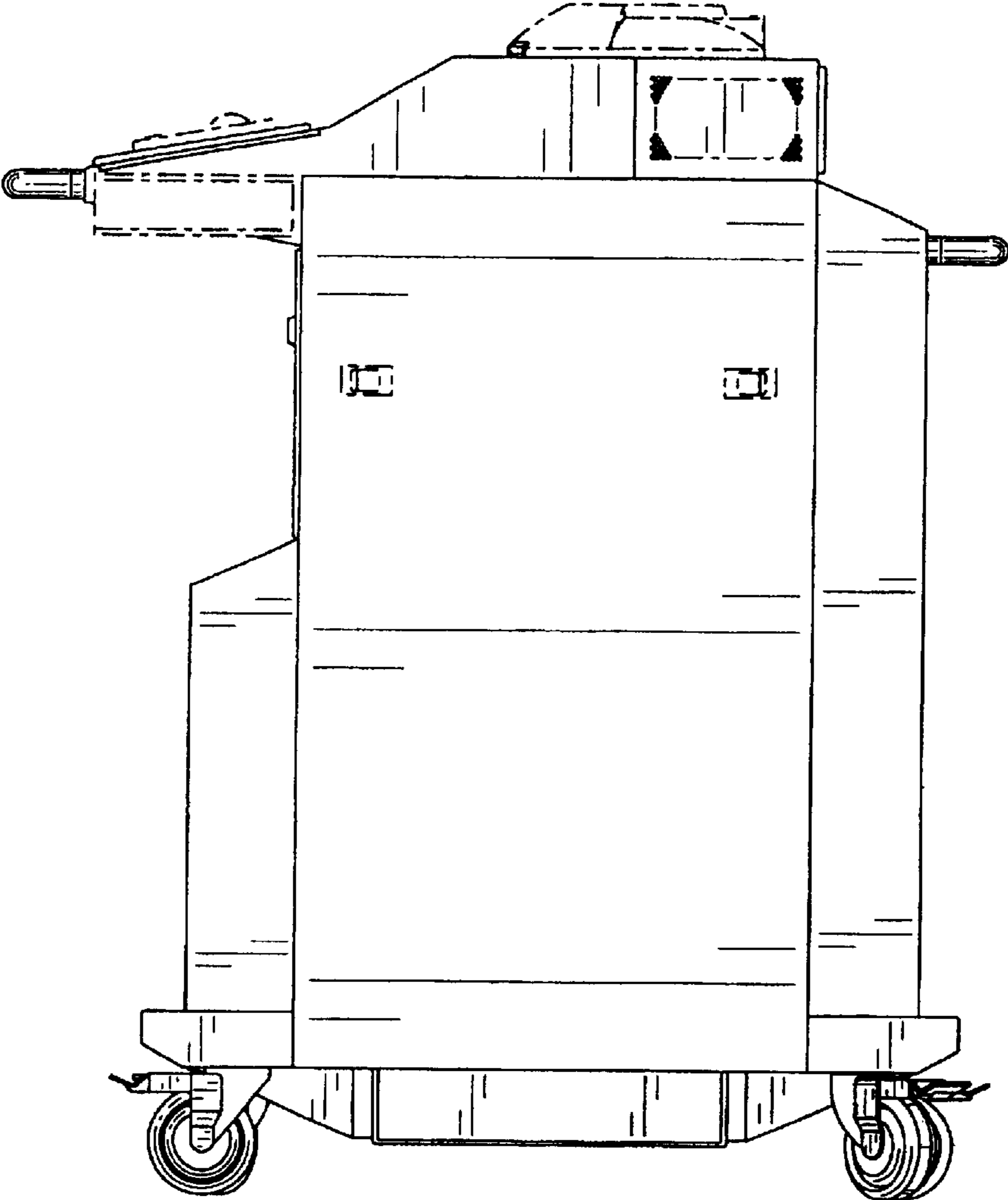


FIG. 4

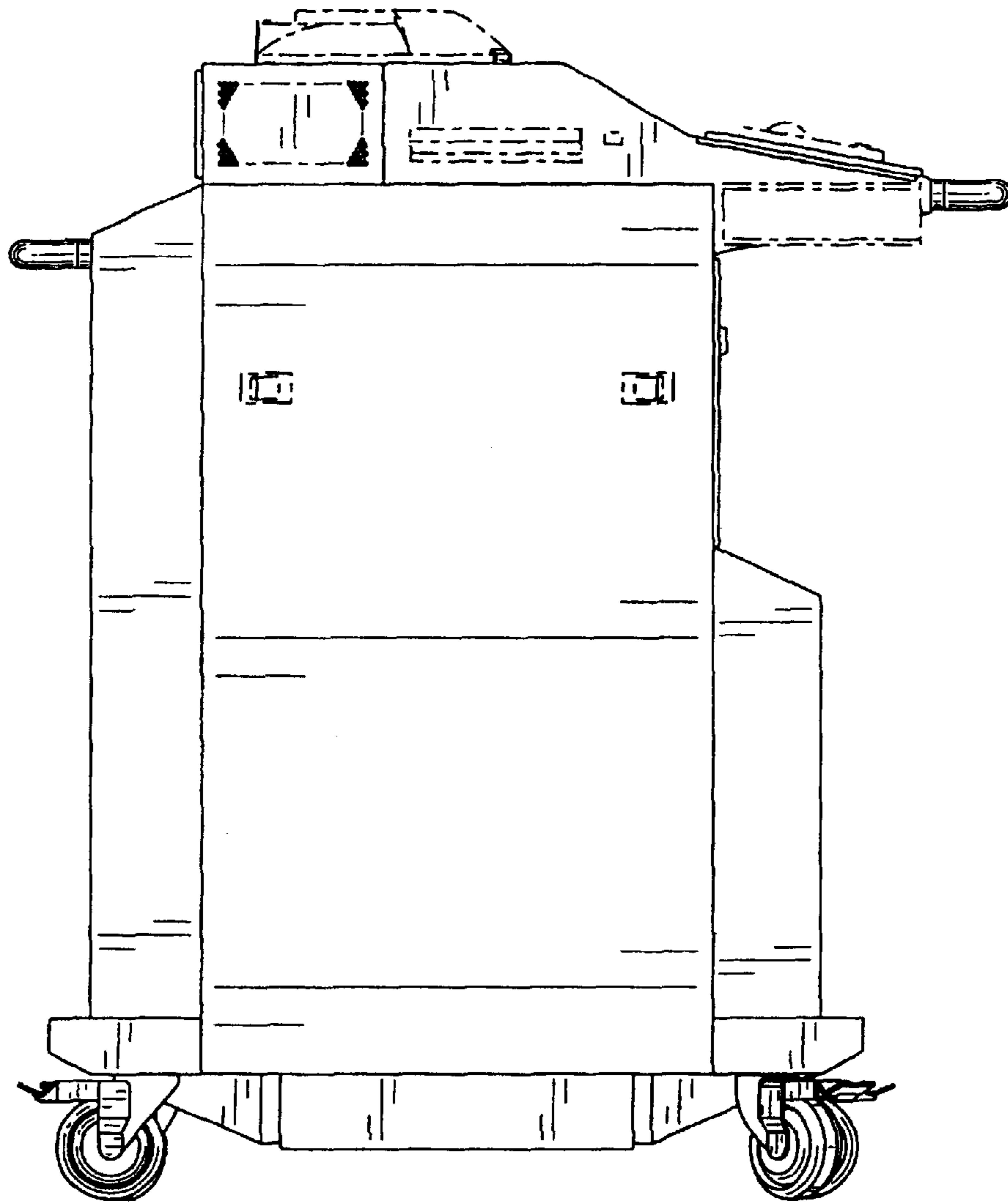


FIG. 5

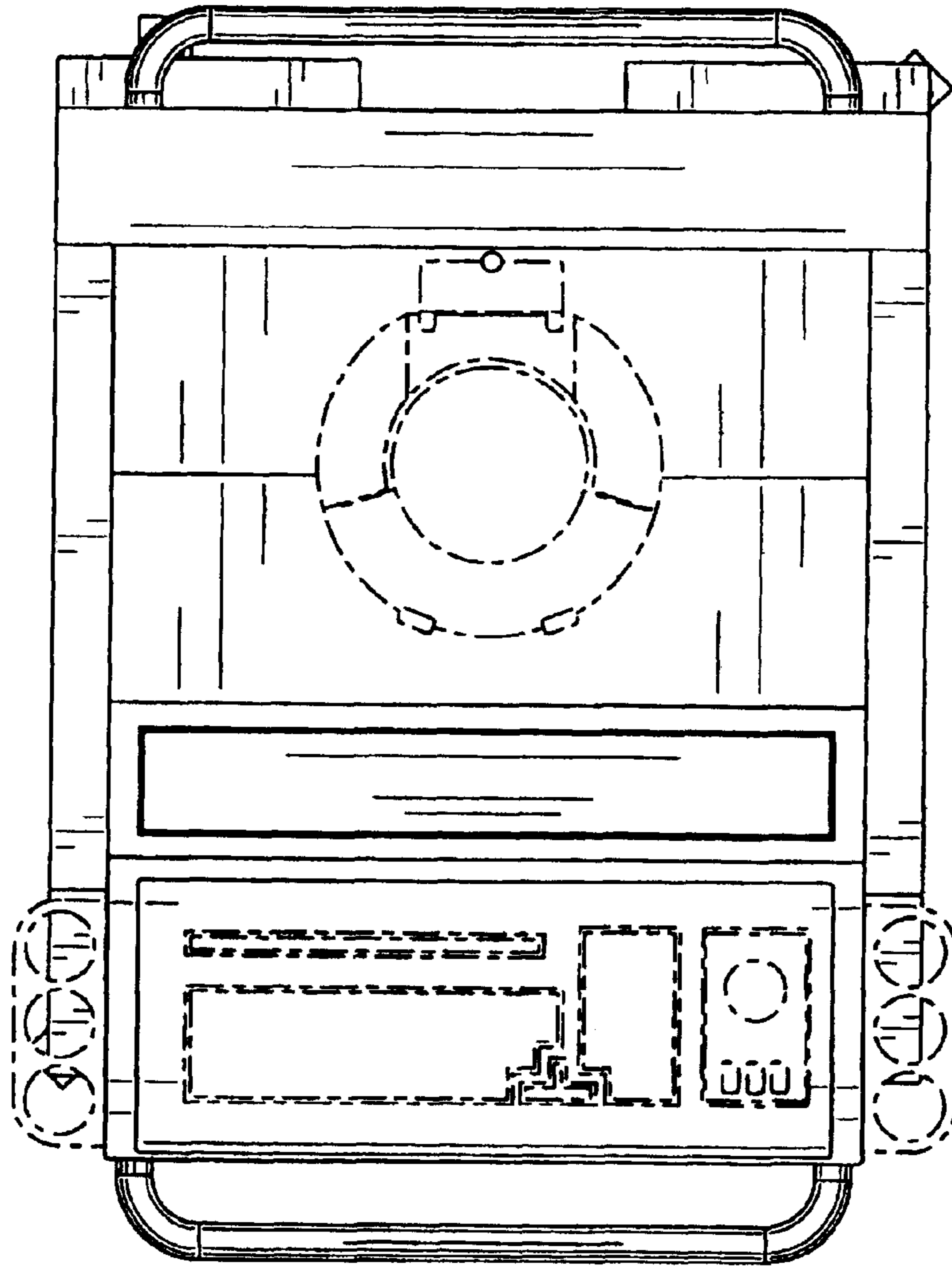


FIG. 6

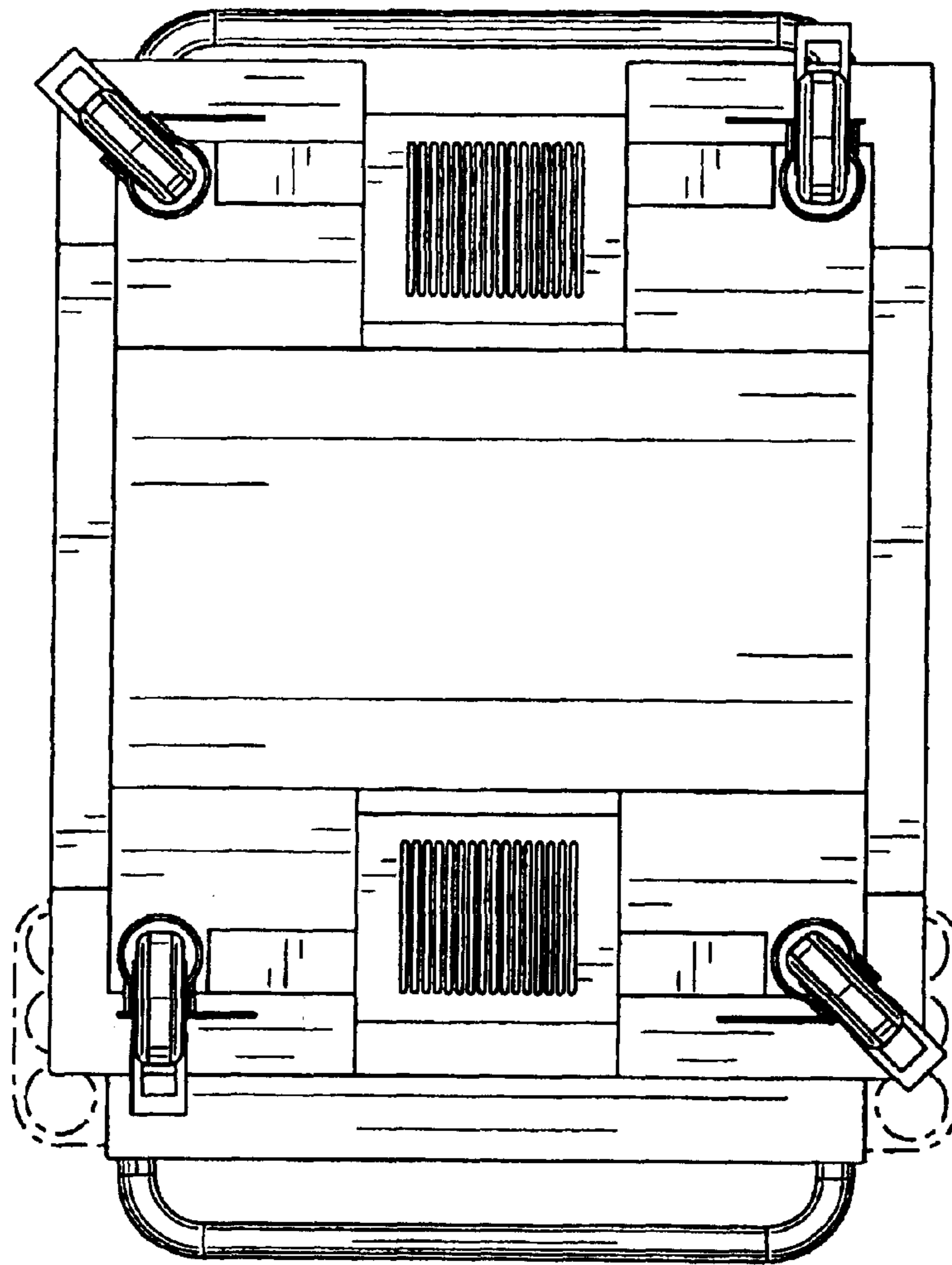


FIG. 7



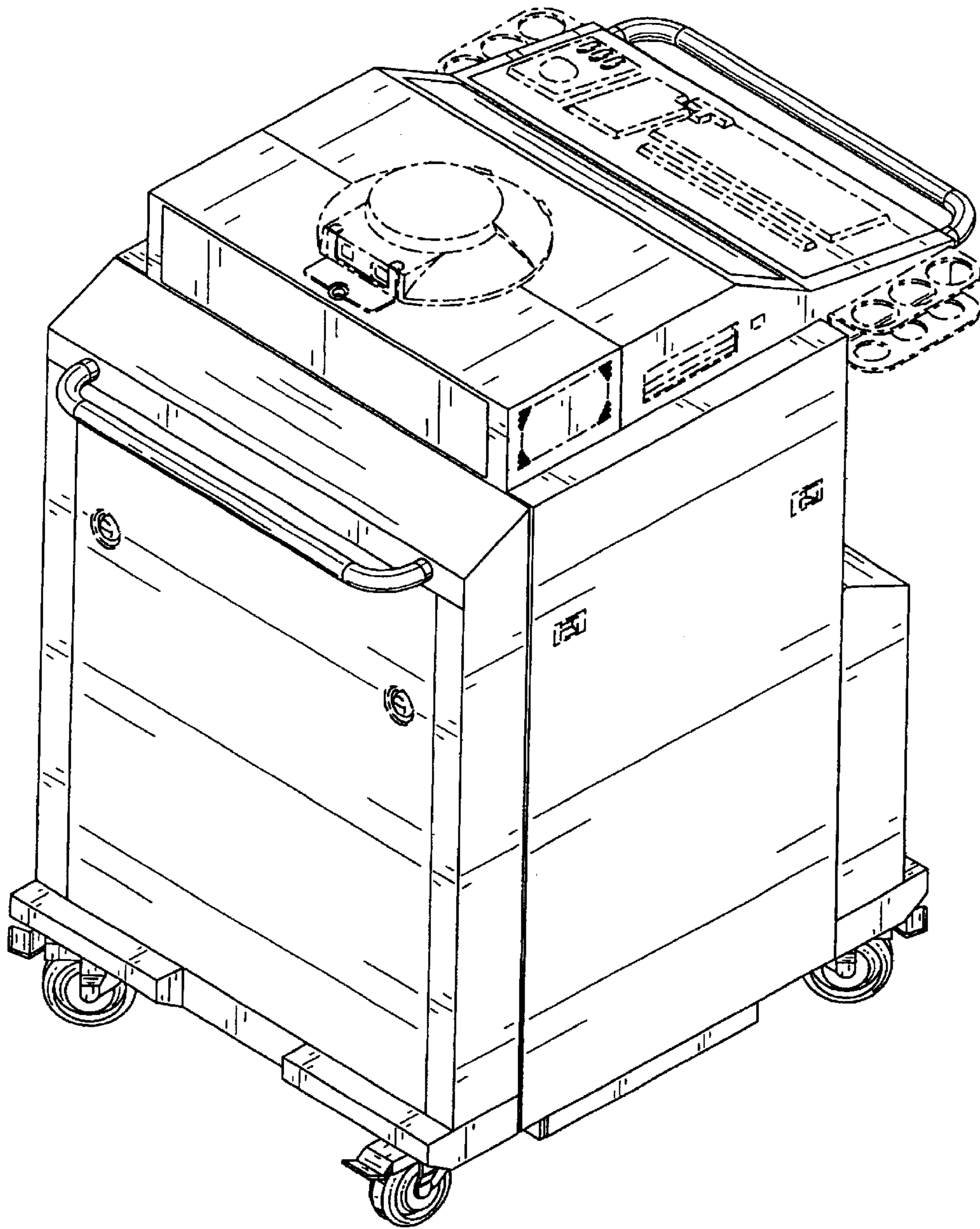


FIG. 8