



US00D541941S

(12) **United States Design Patent**
Nakanishi et al.

(10) **Patent No.:** **US D541,941 S**

(45) **Date of Patent:** **** May 1, 2007**

(54) **SPHYGMOMANOMETER**

(75) Inventors: **Takefumi Nakanishi**, Kyoto (JP);
Kenji Eda, Osaka (JP); **Takahide Tanaka**, Shiga (JP); **Yosuke Fujii**, Osaka (JP); **Tadashi Koike**, Kyoto (JP);
So Noguchi, Osaka (JP); **Shuji Tsuruta**, Osaka (JP); **Masashi Kitamura**, Mie (JP); **Izumi Hachimaru**, Kyoto (JP)

D473,308 S * 4/2003 Nakanishi D24/165
D475,788 S * 6/2003 Inagaki et al. D24/165
D496,104 S * 9/2004 Eda et al. D24/165
D520,638 S * 5/2006 Zeindler D24/166
D526,415 S * 8/2006 Yang D24/169

* cited by examiner

Primary Examiner—Louis S. Zarfaz
Assistant Examiner—Anhdao Doan
(74) *Attorney, Agent, or Firm*—Dickey & Pierce, P.L.C.

(73) Assignee: **Omron Healthcare Co., Ltd.**, Kyoto (JP)

(57) **CLAIM**

The ornamental design for a sphygmomanometer, as shown and described.

(**) Term: **14 Years**

DESCRIPTION

(21) Appl. No.: **29/252,752**

FIG. 1 is a perspective view of a sphygmomanometer showing our new design;
FIG. 2 is a front elevational view thereof;
FIG. 3 is a rear elevational view thereof;
FIG. 4 is a top plan view thereof;
FIG. 5 is a bottom plan view thereof;
FIG. 6 is a right side elevational view thereof;
FIG. 7 is a left side elevational view thereof; and,
FIG. 8 is a top plan view in the direction of reference arrow 8 of FIG. 6 thereof.

(22) Filed: **Jan. 27, 2006**

(30) **Foreign Application Priority Data**

Jul. 27, 2005 (JP) 2005-021800

(51) **LOC (8) Cl.** **24-02**

(52) **U.S. Cl.** **D24/165**

(58) **Field of Classification Search** D24/165–169,
D24/186; 600/479, 480, 481, 482, 485, 490,
600/493, 495, 500

See application file for complete search history.

The broken lines shown in the drawings are for illustrative purposes only and form no part of the claimed design.

(56) **References Cited**

U.S. PATENT DOCUMENTS

D437,414 S * 2/2001 Kern et al. D24/165

1 Claim, 6 Drawing Sheets

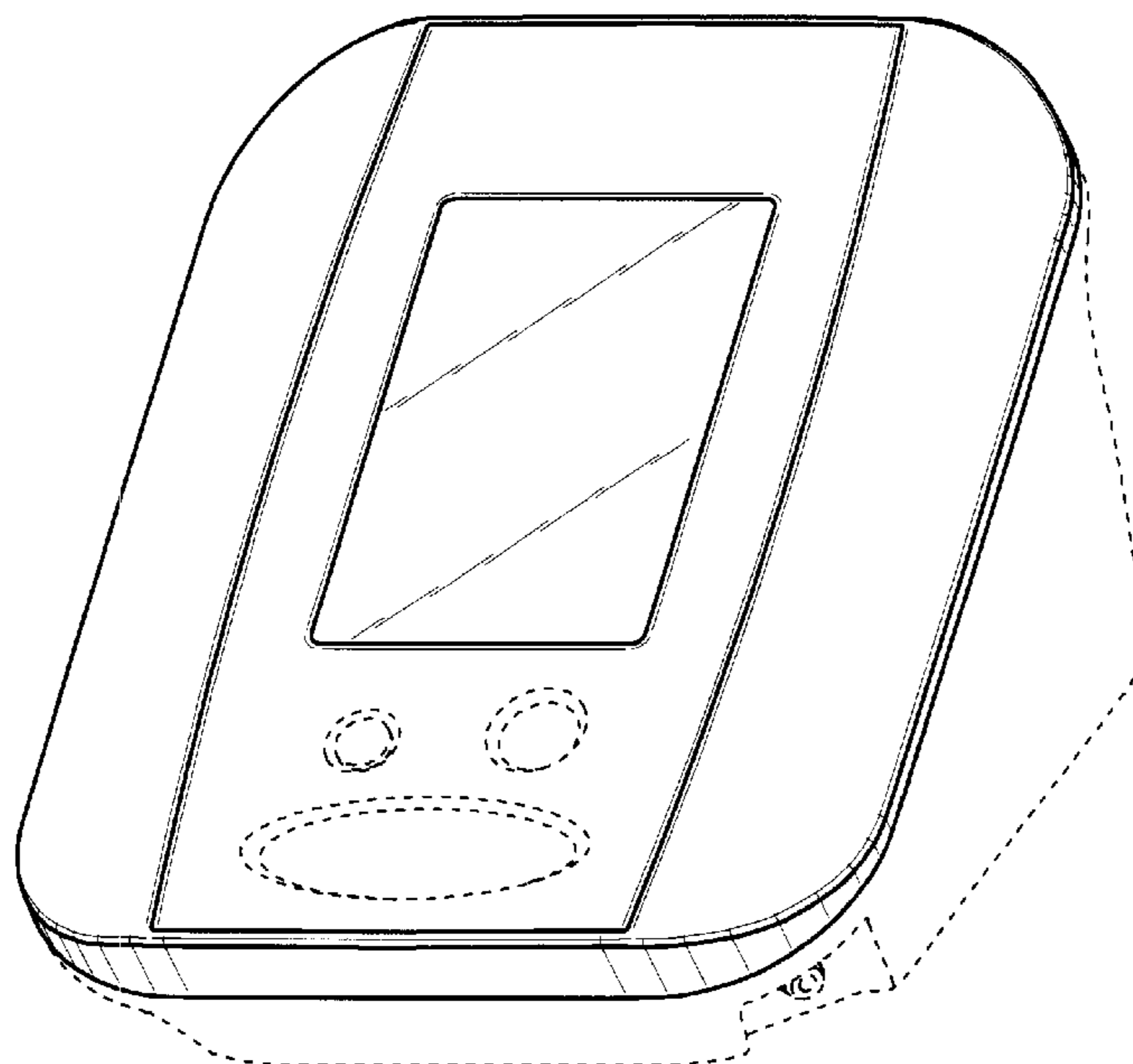


Fig. 1

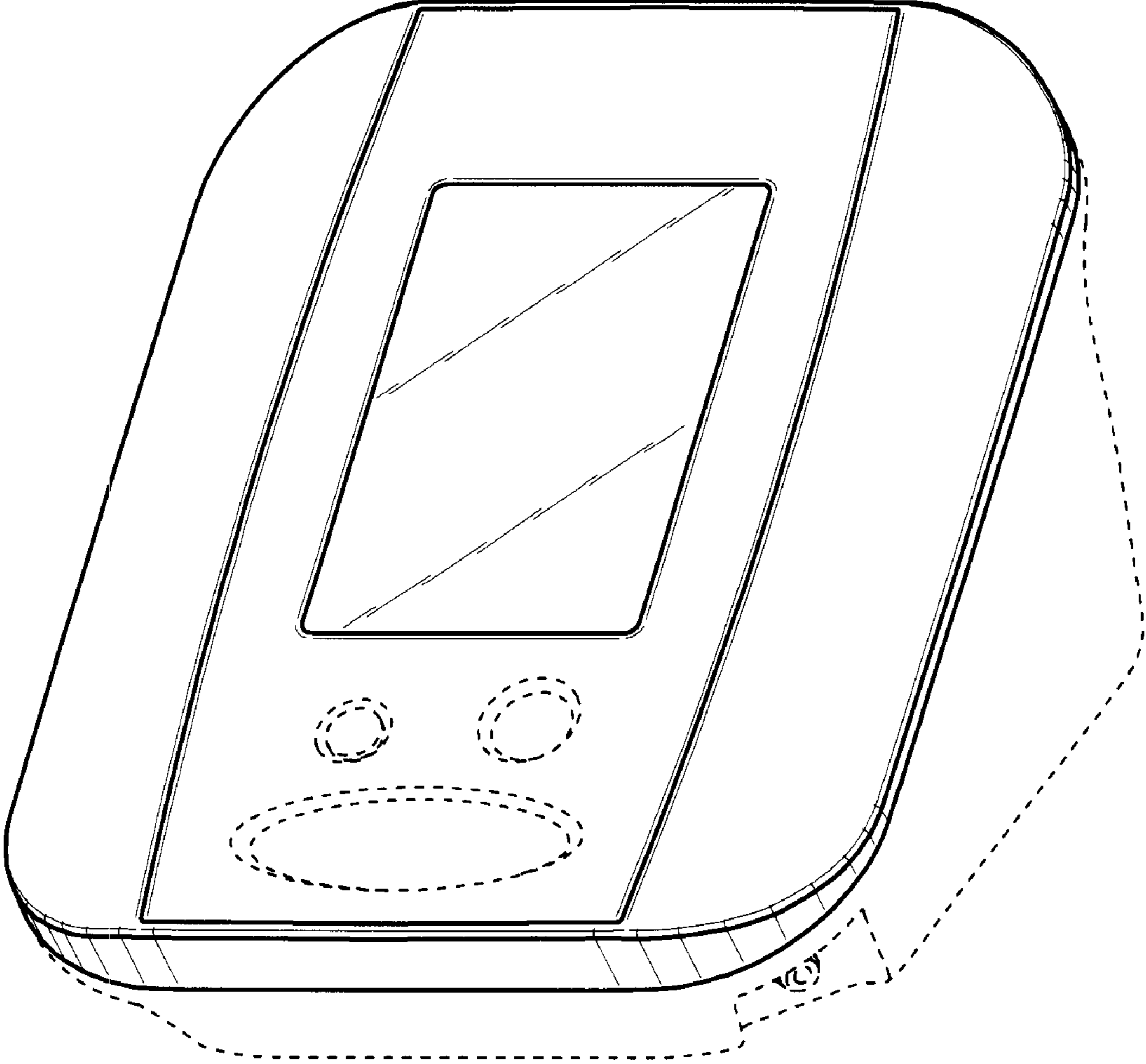


Fig. 2

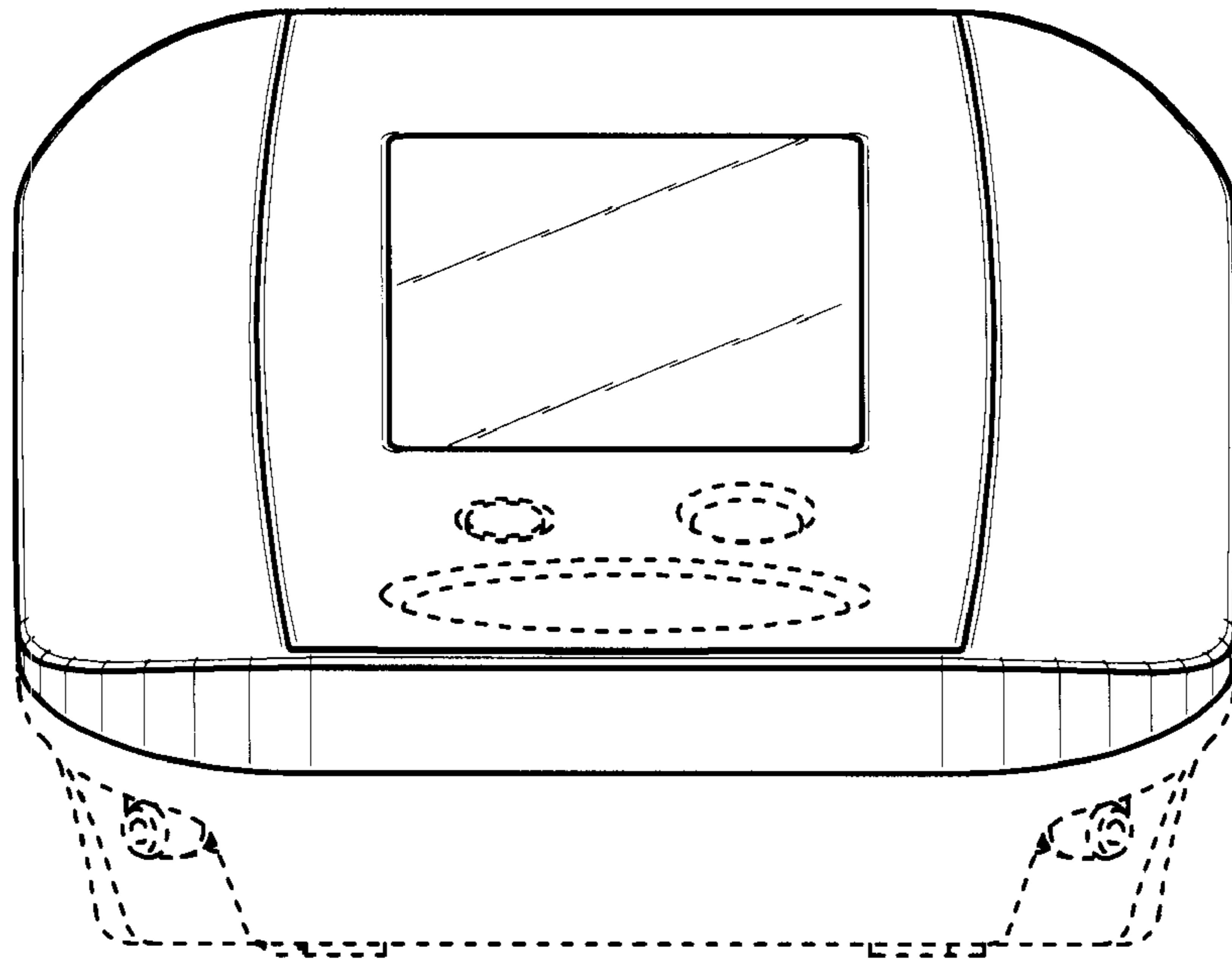


Fig. 3

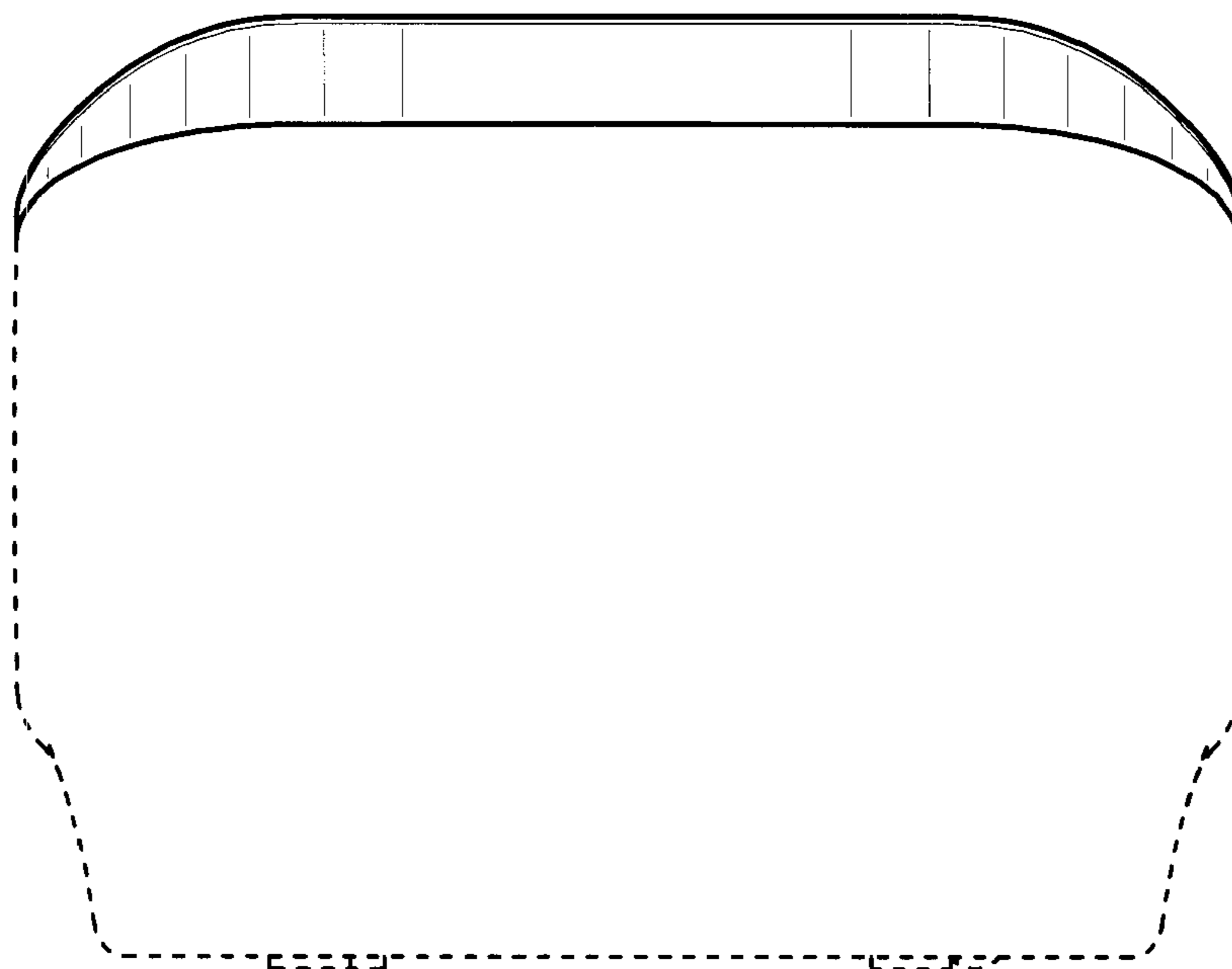


Fig. 4

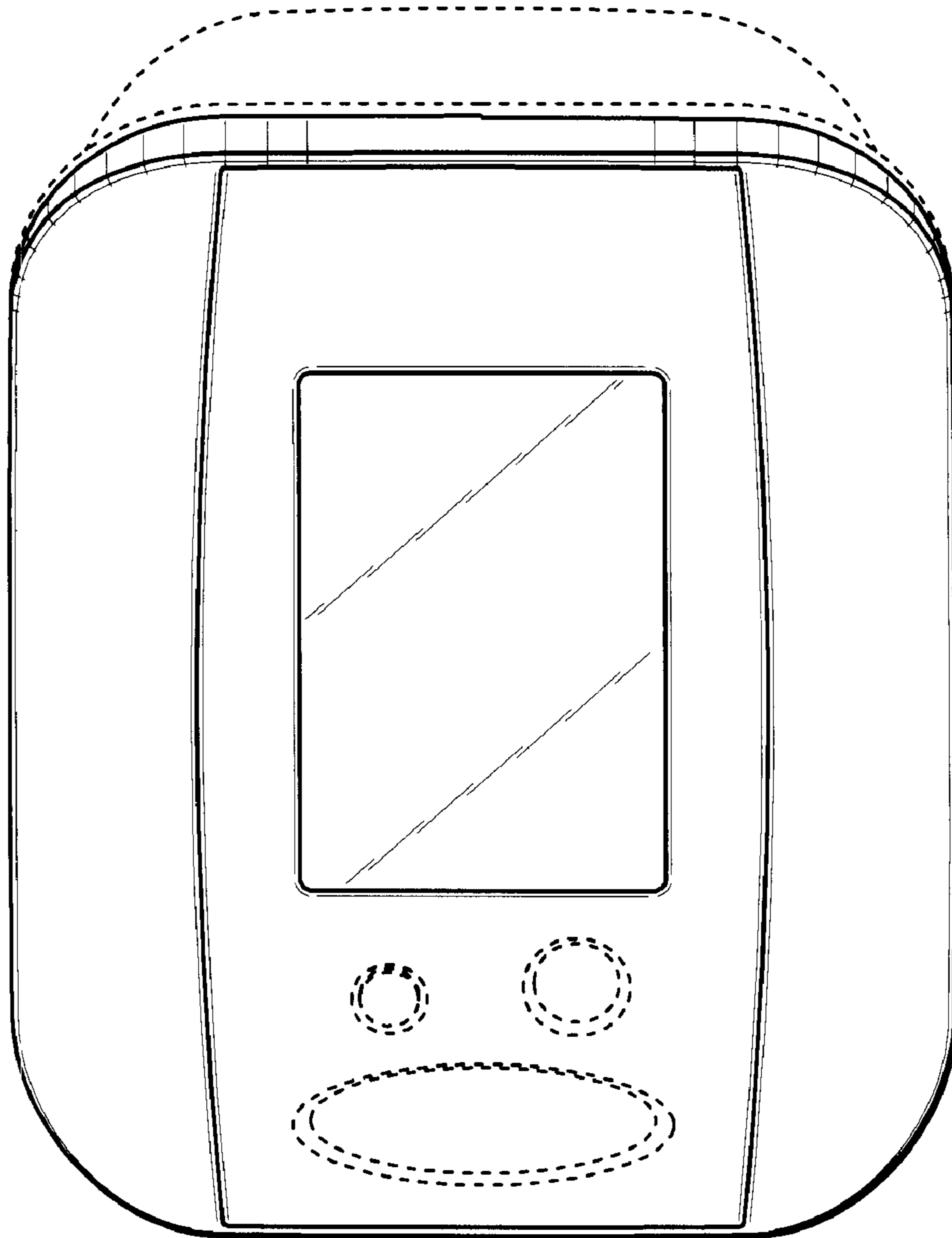


Fig. 5

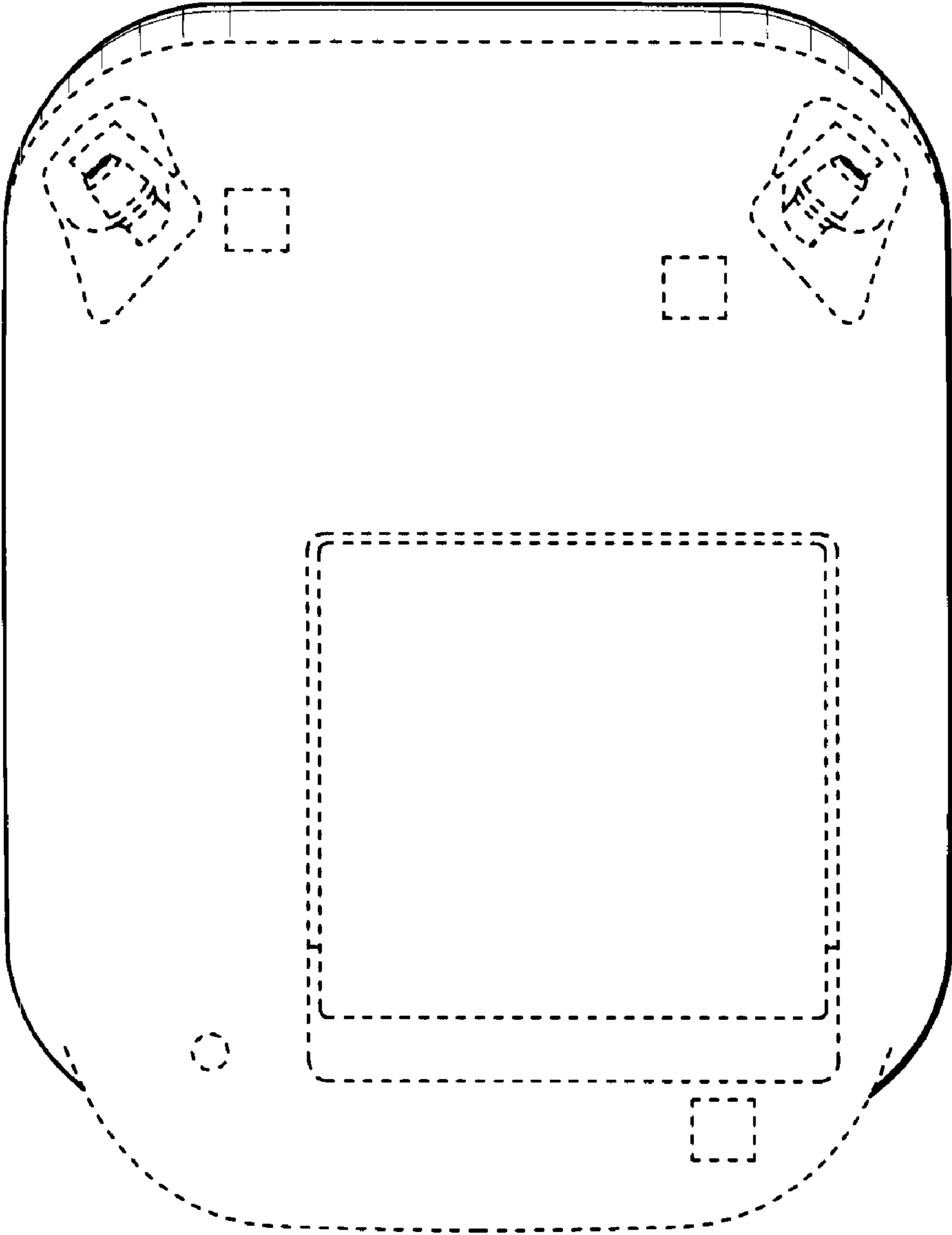


Fig. 6

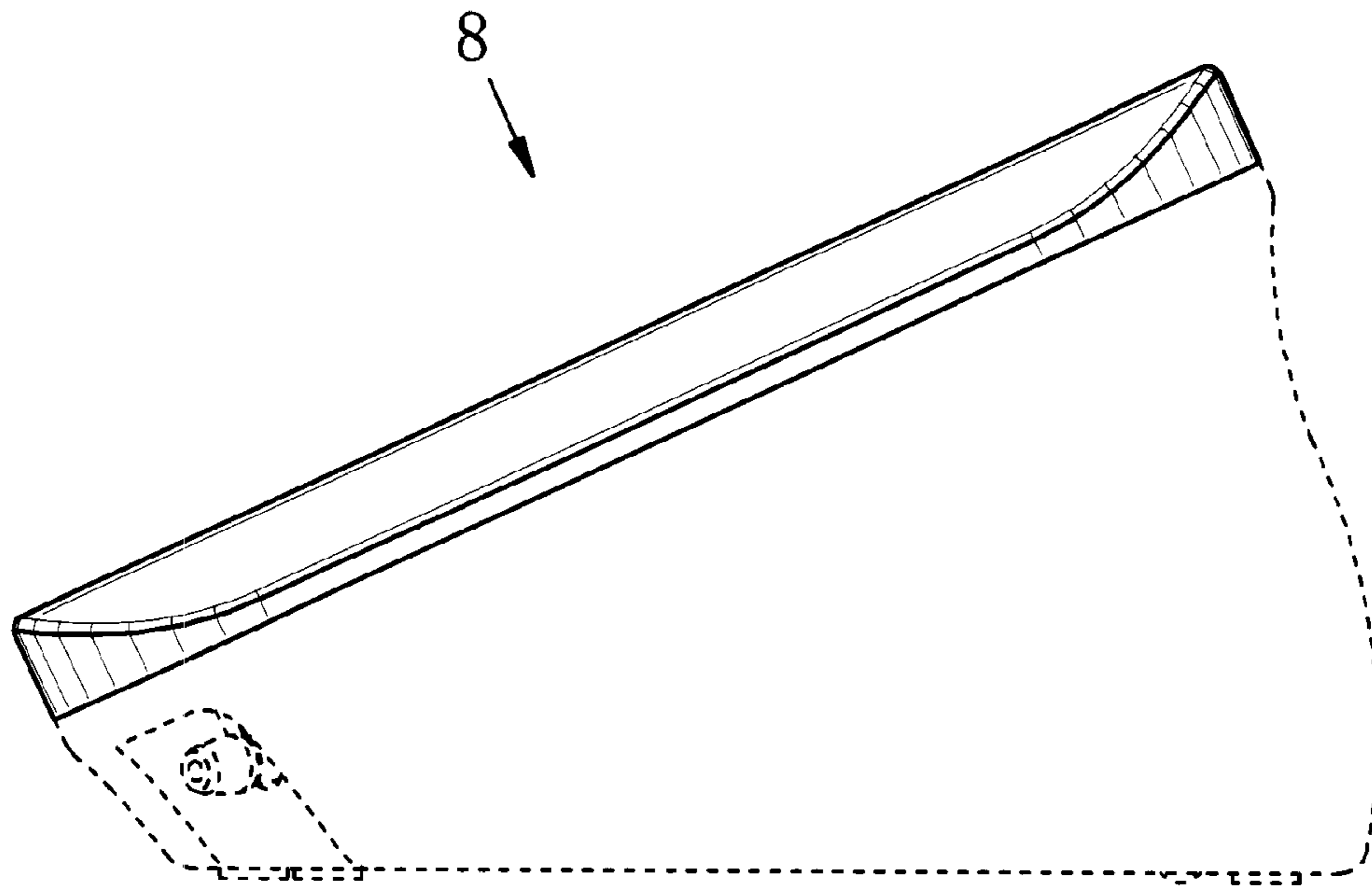


Fig. 7

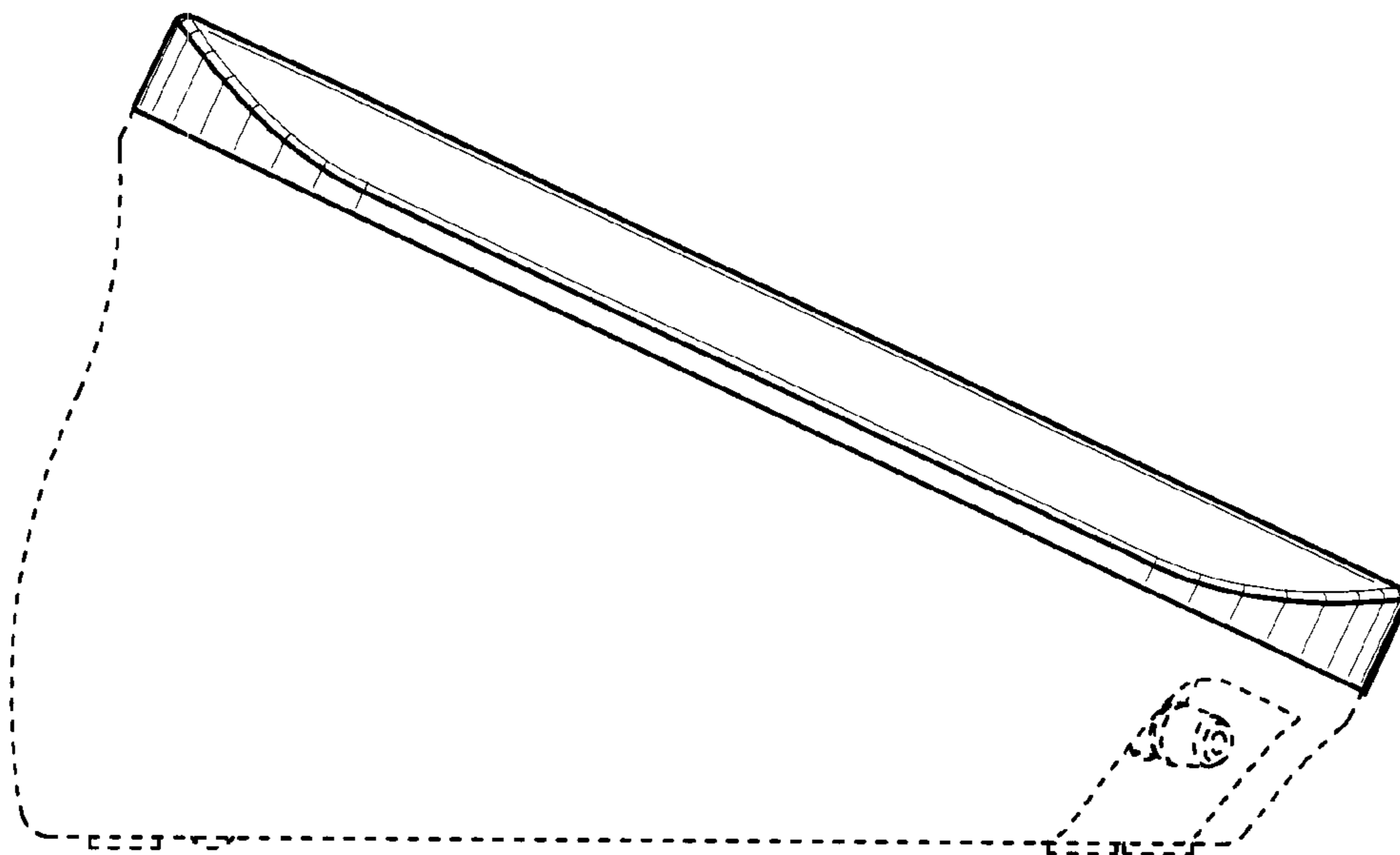


Fig. 8

