

US00D541939S

(12) **United States Design Patent**
Persson

(10) **Patent No.:** **US D541,939 S**

(45) **Date of Patent:** **** May 1, 2007**

(54) **TRACHEOSTOMA BUTTON**

(75) Inventor: **Jan-Ove Persson**, Hoor (SE)

(73) Assignee: **Atos Medical AB**, Hörby (SE)

(**) Term: **14 Years**

(21) Appl. No.: **29/230,134**

(22) Filed: **May 17, 2005**

(51) **LOC (8) Cl.** **24-03**

(52) **U.S. Cl.** **D24/155**

(58) **Field of Classification Search** D24/180-181,
D24/176, 155-156, 127-129, 110, 107; 433/37-43,
433/76, 173, 29, 32; D26/38, 46; 607/36;
362/804, 171, 183, 200; D32/31-32, 39;
D23/262; D10/64, 74, 70; D9/423
See application file for complete search history.

(56) **References Cited**

U.S. PATENT DOCUMENTS

D128,314 S	*	7/1941	Kelly	D23/262
D257,063 S	*	9/1980	Galindo	D24/127
D258,526 S	*	3/1981	Nederman	D23/262
D309,021 S	*	7/1990	Beevers	D24/127

D314,434 S	*	2/1991	Kamen	D24/127
D480,454 S	*	10/2003	Filer	D23/262
D483,441 S	*	12/2003	Dole et al.	D23/262
D493,214 S	*	7/2004	Snyder et al.	D23/262
D516,212 S	*	2/2006	Persson et al.	D24/128
D517,665 S	*	3/2006	Wilk et al.	D23/262

* cited by examiner

Primary Examiner—Charles A. Rademaker

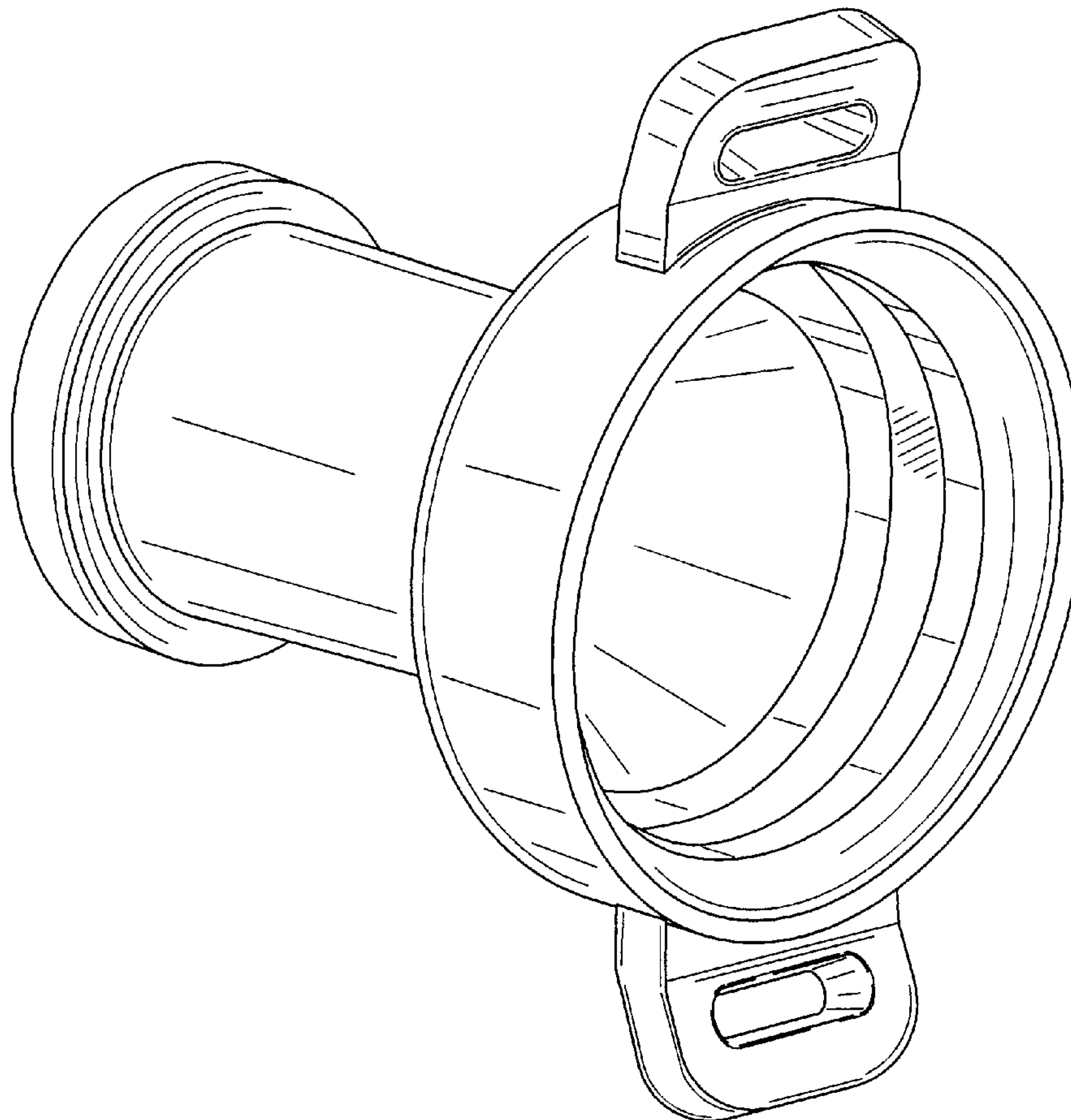
(57) **CLAIM**

The ornamental design for a tracheostoma button, as shown and described.

DESCRIPTION

FIG. 1 is a side elevation of a tracheostoma button showing my new design;
FIG. 2 is a side elevation of the side opposite that shown in FIG. 1 in an inverted position;
FIG. 3 is a front elevation thereof;
FIG. 4 is a rear elevation thereof;
FIG. 5 is a side perspective view thereof; and,
FIG. 6 is a side perspective view taken from the side opposite that shown in FIG. 5.

1 Claim, 6 Drawing Sheets



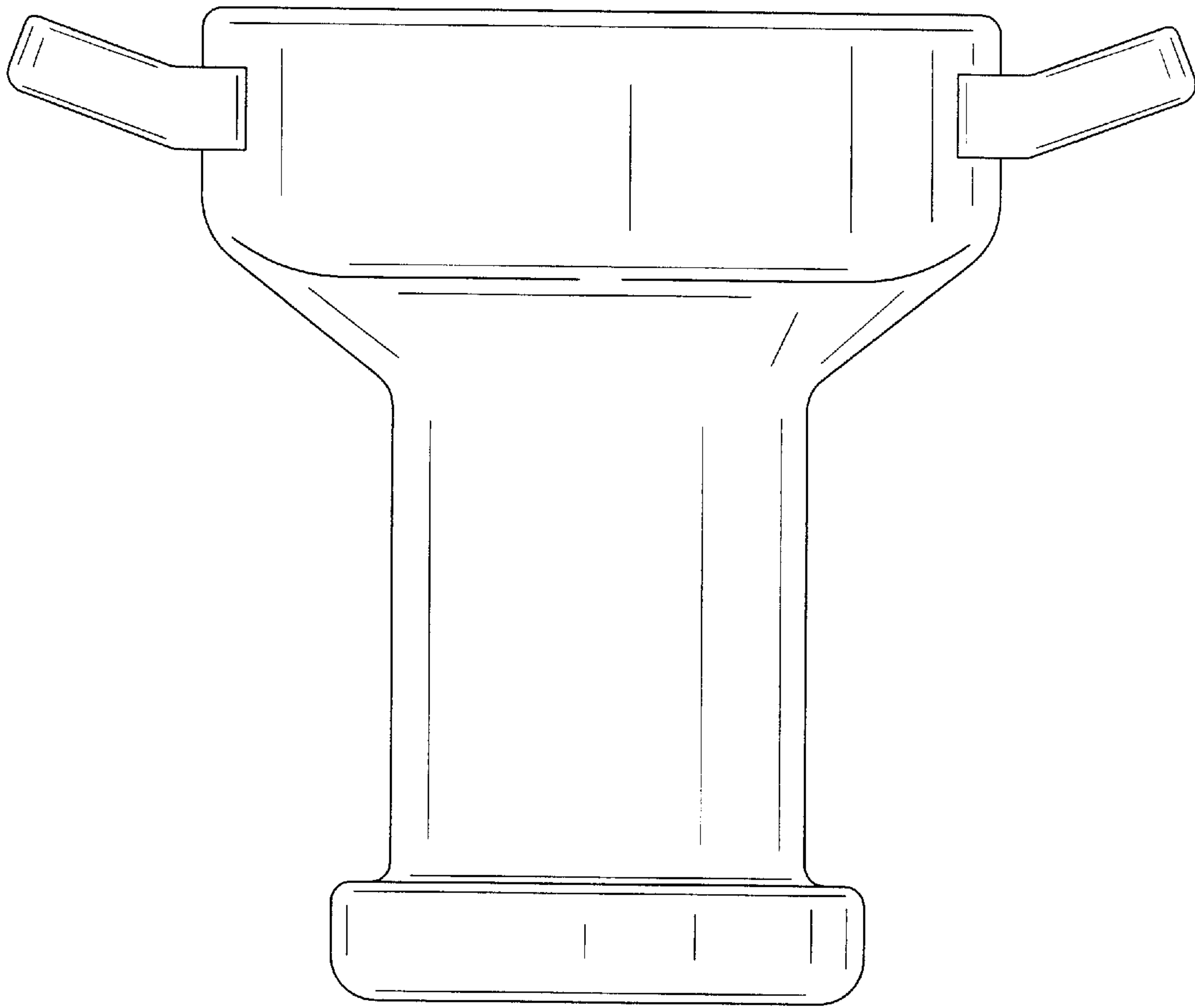


FIG. 1

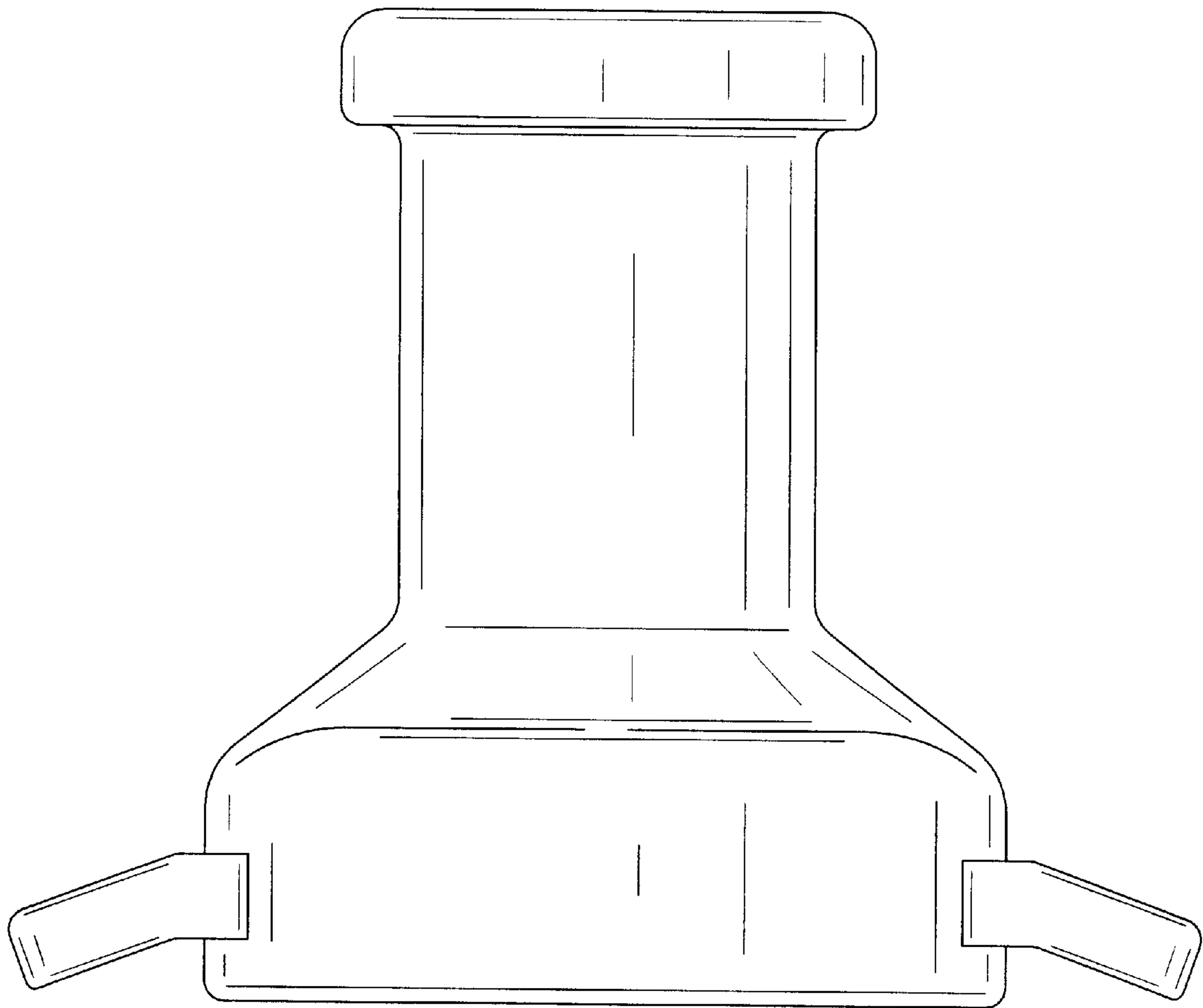


FIG. 2

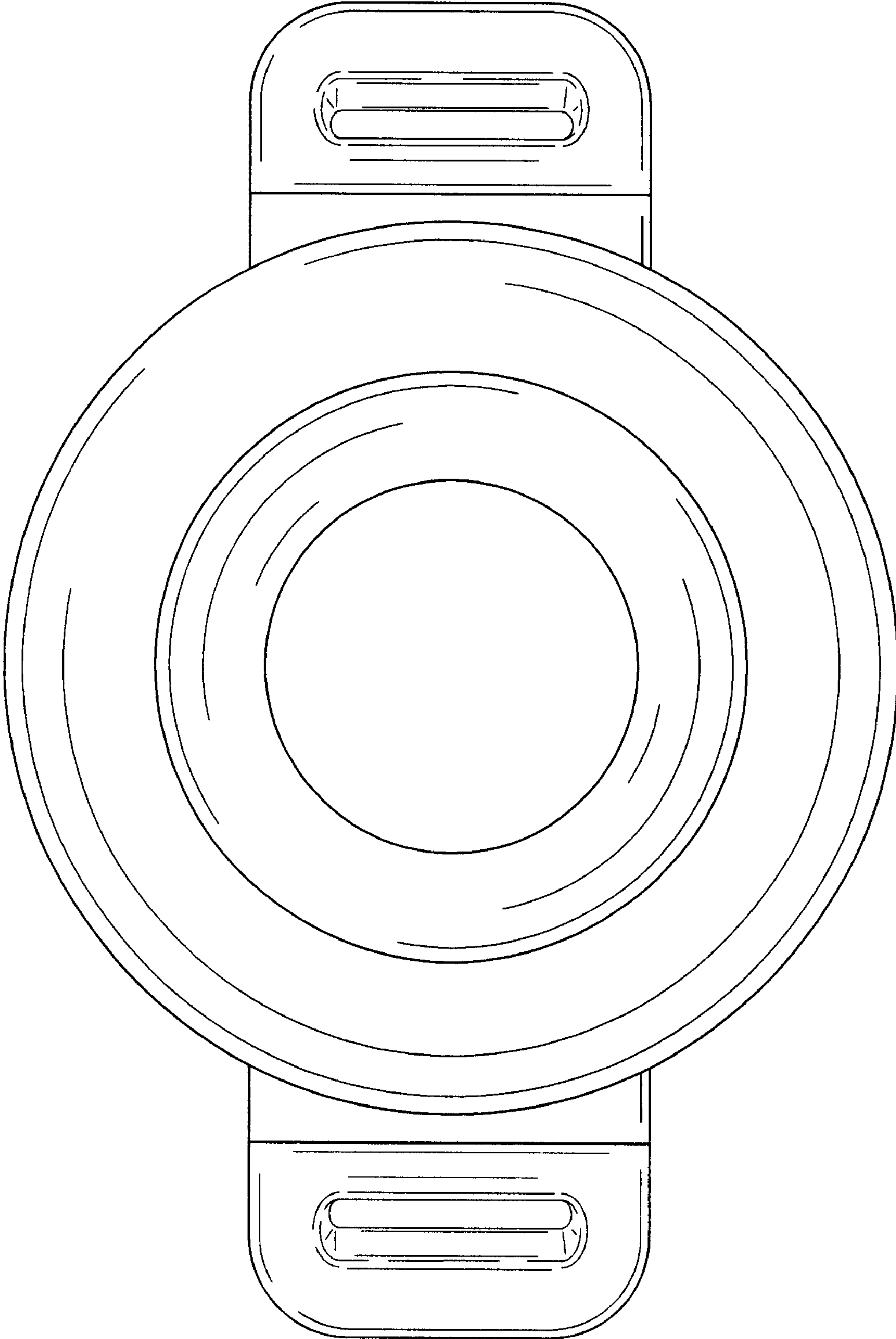


FIG. 3

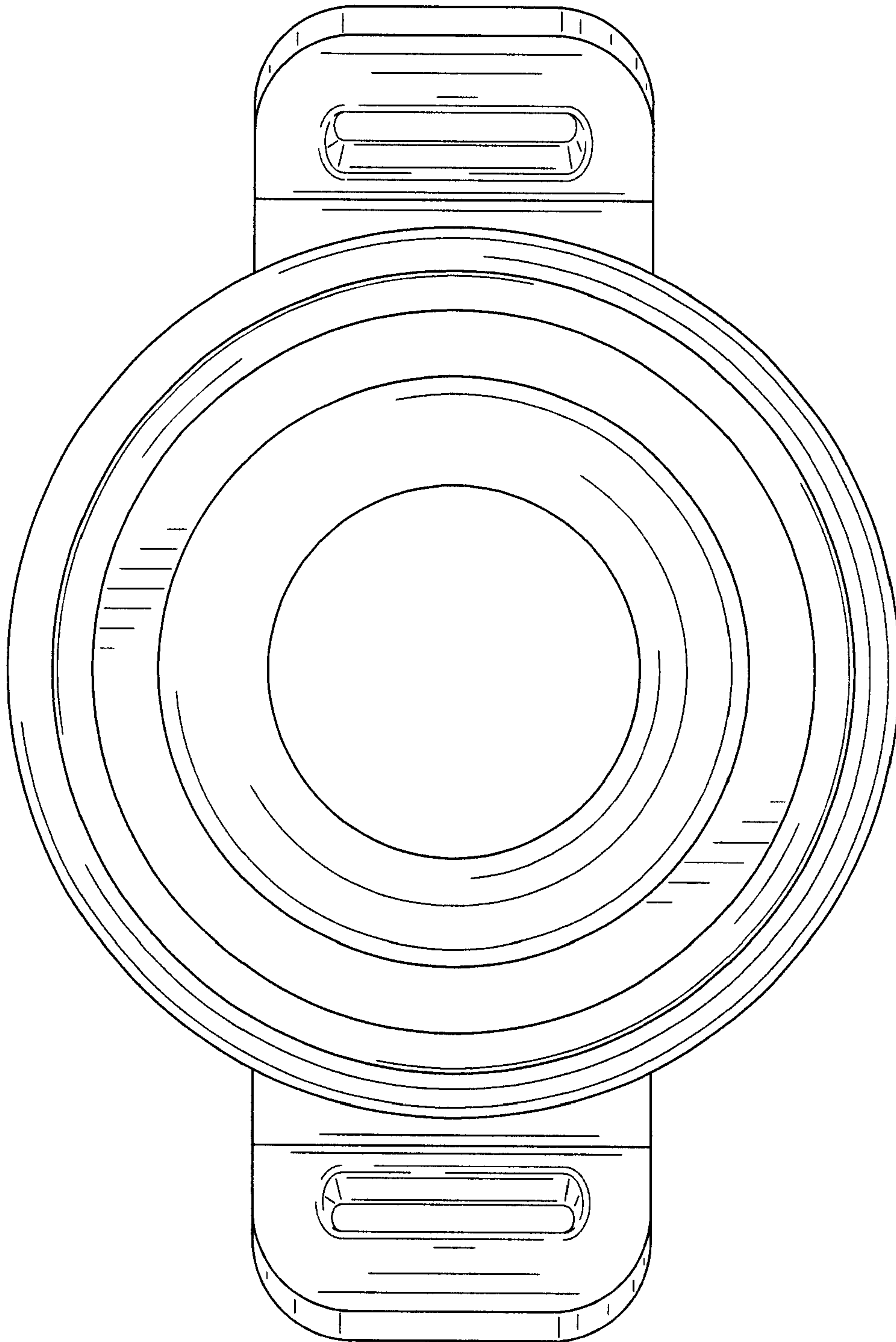


FIG. 4

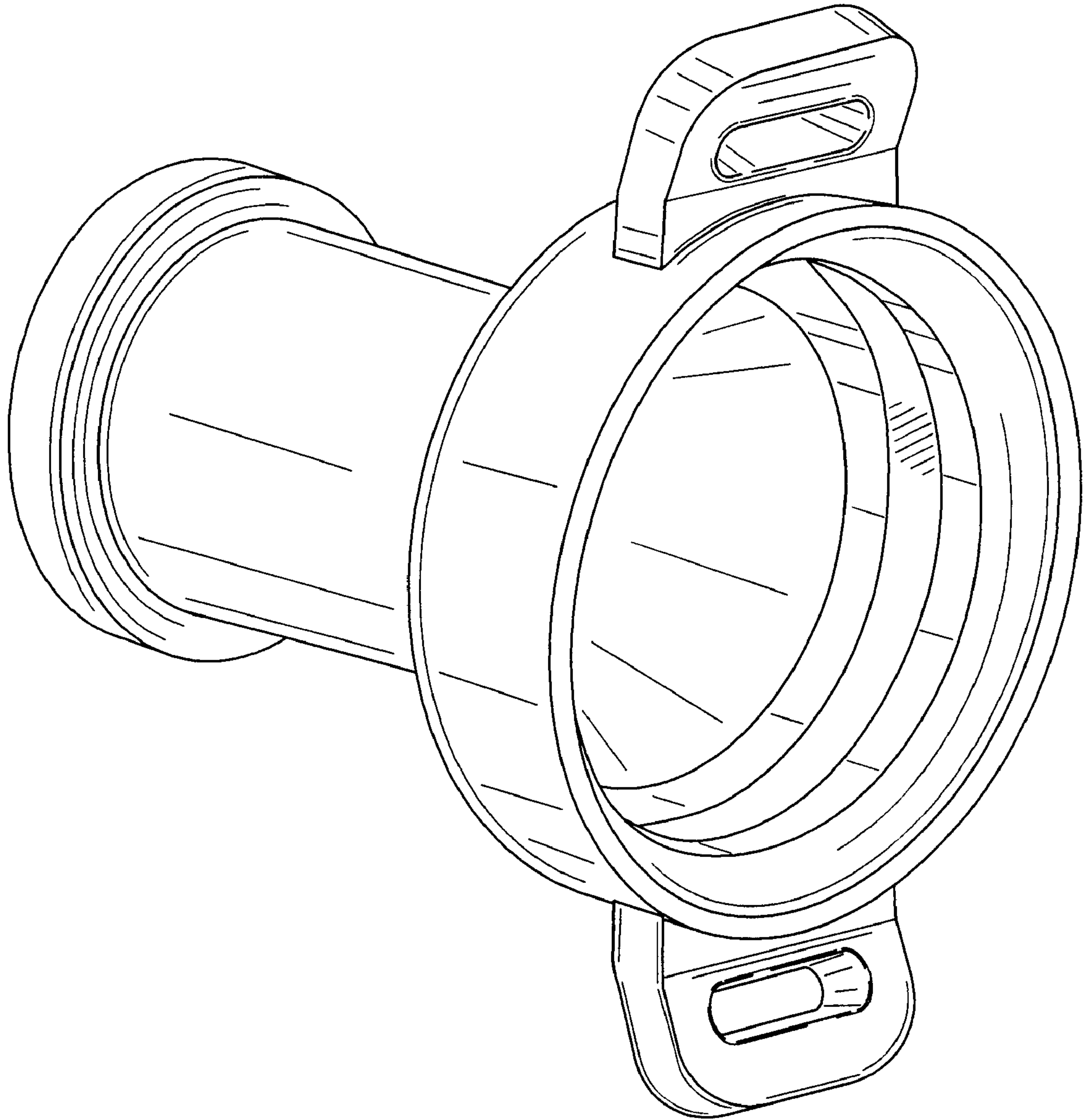


FIG. 5

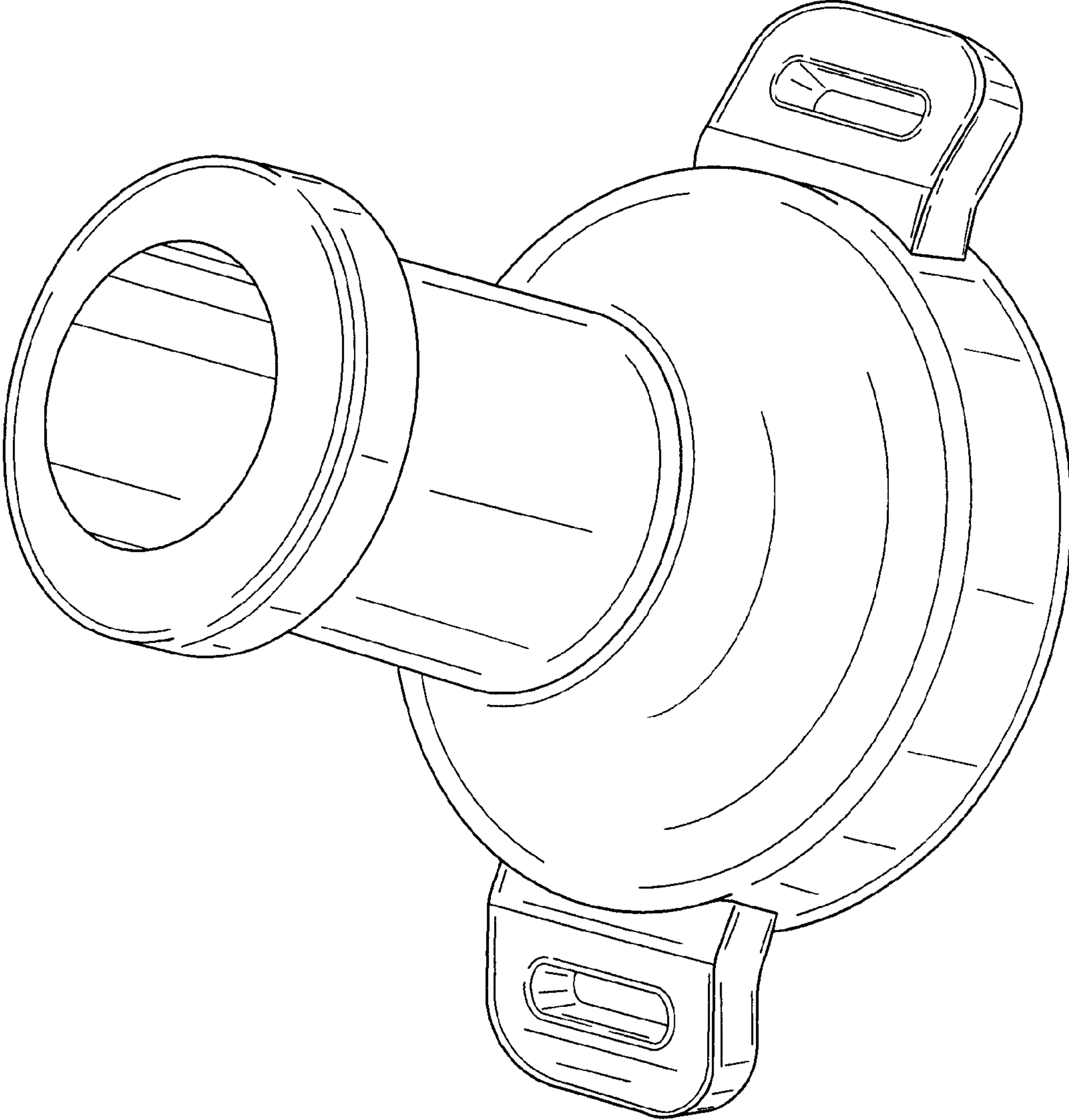


FIG. 6