



US00D541936S

(12) **United States Design Patent**
Patterson

(10) **Patent No.:** **US D541,936 S**

(45) **Date of Patent:** **** May 1, 2007**

(54) **CATHETER APPARATUS**

(75) Inventor: **Ryan Patterson**, Kaysville, UT (US)

(73) Assignee: **C.R. Bard, Inc.**, Murray Hill, NJ (US)

(**) Term: **14 Years**

(21) Appl. No.: **29/233,449**

(22) Filed: **Jul. 1, 2005**

(51) **LOC (8) Cl.** **24-01**

(52) **U.S. Cl.** **D24/130; D24/112; 604/523**

(58) **Field of Classification Search** D24/112,
D24/130, 108; 604/22, 35, 158, 164.02, 164.13,
604/167, 171, 240, 264, 433, 523, 524, 528,
604/533

See application file for complete search history.

(56) **References Cited**

U.S. PATENT DOCUMENTS

D272,651 S	*	2/1984	Mahurkar	D24/112
5,222,966 A	*	6/1993	Perkins et al.	606/159
5,441,510 A	*	8/1995	Simpson et al.	606/159
6,478,775 B1	*	11/2002	Galt et al.	604/158
6,869,417 B1	*	3/2005	Walters et al.	604/164.1
6,872,192 B2	*	3/2005	Nash et al.	604/164.02
D523,956 S	*	6/2006	Guala	D24/108
7,066,925 B2	*	6/2006	Gately et al.	604/523
2002/0032432 A1	*	3/2002	Nash et al.	604/533

2002/0065492 A1	*	5/2002	McGuckin et al.	604/264
2004/0249338 A1	*	12/2004	DeCant et al.	604/43
2005/0033264 A1	*	2/2005	Redinger	604/523
2005/0197633 A1	*	9/2005	Schwartz et al.	604/264
2006/0004325 A1	*	1/2006	Hamatake et al.	604/43
2006/0015127 A1	*	1/2006	Chien	606/167
2006/0041246 A1	*	2/2006	Provost-tine et al.	604/528
2006/0100603 A1	*	5/2006	Thwaites	604/533

* cited by examiner

Primary Examiner—Louis S. Zarfaz

Assistant Examiner—Eric L. Goodman

(74) *Attorney, Agent, or Firm*—Stoel Rives LLP

(57) **CLAIM**

The ornamental design for a catheter apparatus, as shown and described.

DESCRIPTION

FIG. 1 is a perspective view of a catheter apparatus according to the present invention;

FIG. 2 is a top view thereof;

FIG. 3 is a bottom view thereof;

FIG. 4 is a right side elevation view thereof;

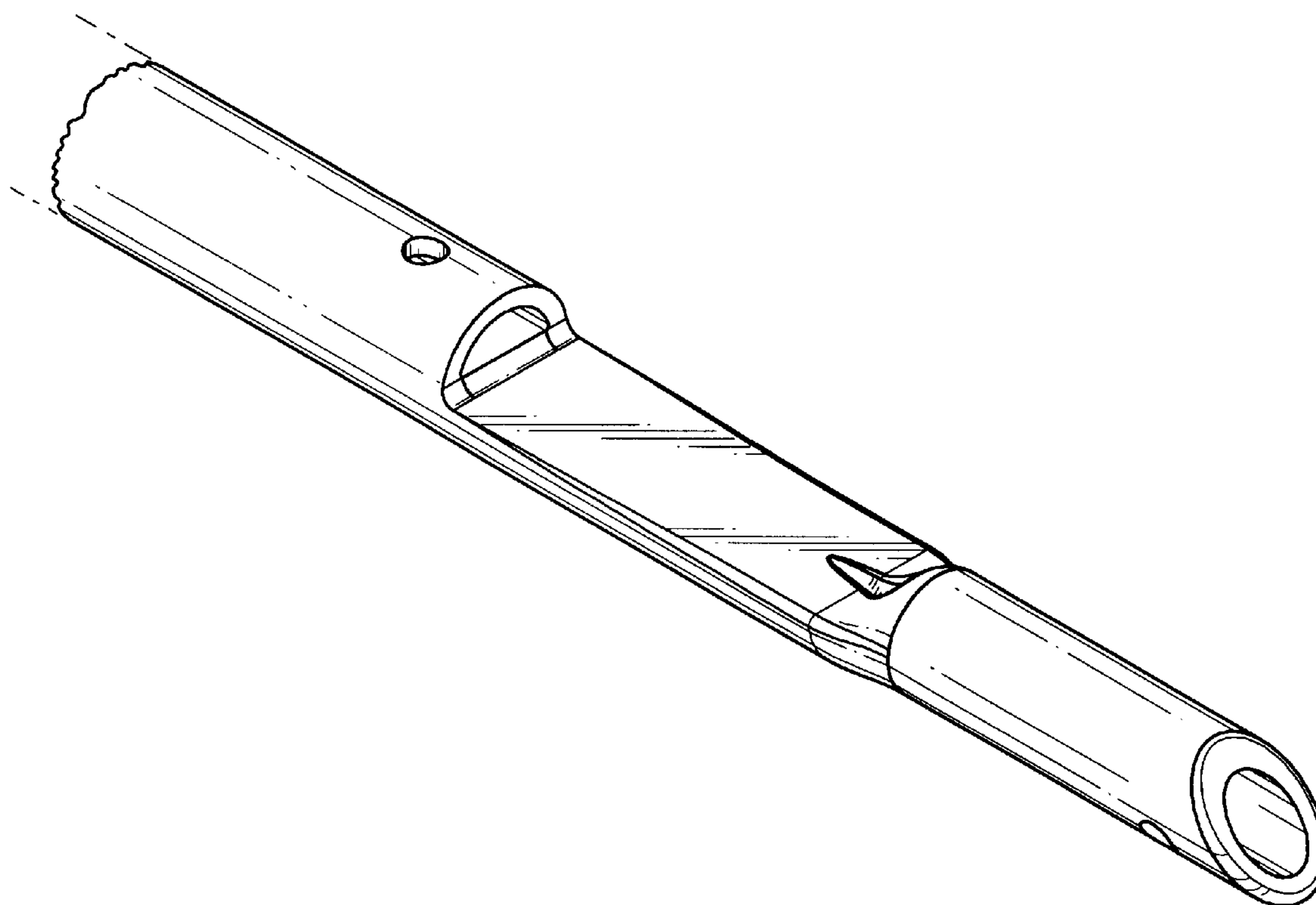
FIG. 5 is a left side elevation view thereof;

FIG. 6 is a front view thereof; and,

FIG. 7 is a rear view thereof.

The broken line showing is for illustrative purposes only and forms no part of the claimed design.

1 Claim, 1 Drawing Sheet



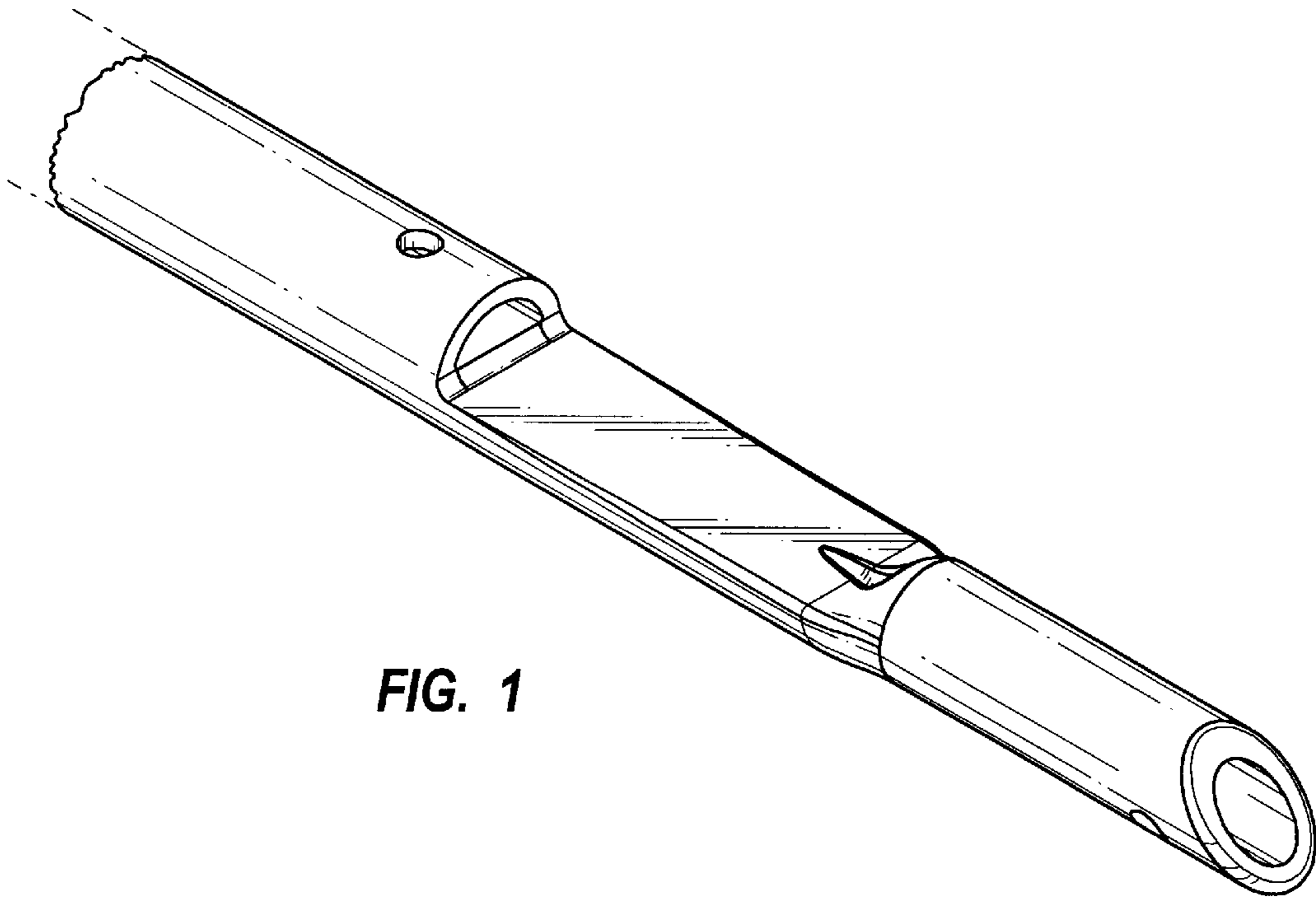


FIG. 1

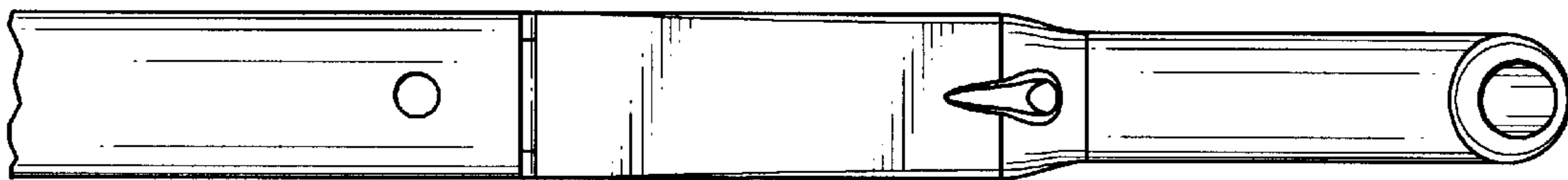


FIG. 2

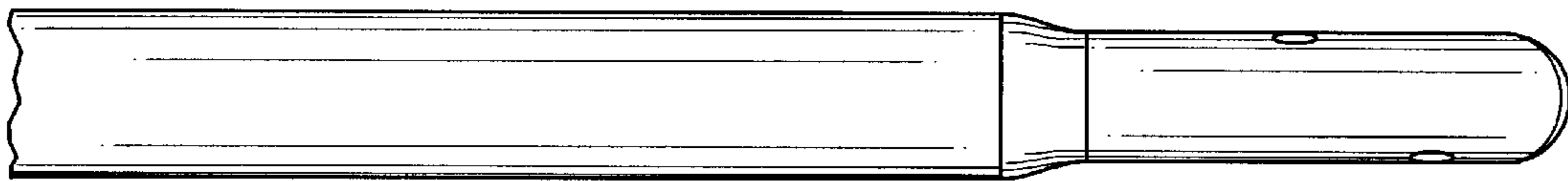


FIG. 3

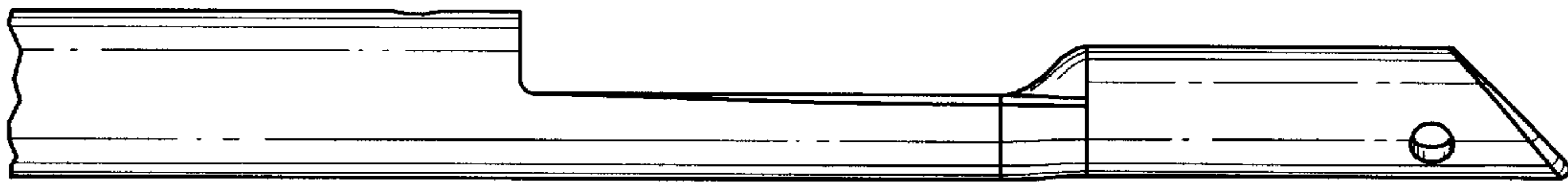


FIG. 4

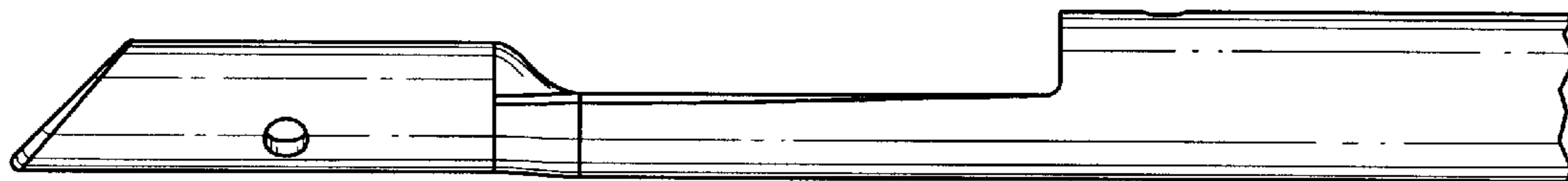


FIG. 5

FIG. 6

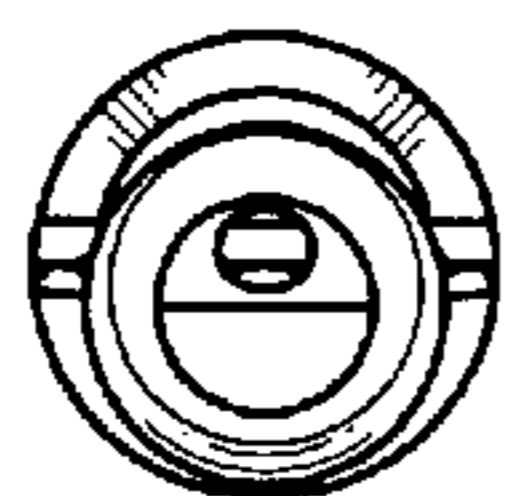


FIG. 7

