



US00D541934S

(12) **United States Design Patent**
Gomez

(10) **Patent No.:** **US D541,934 S**

(45) **Date of Patent:** **** May 1, 2007**

(54) **CATHETER STABILIZATION AND SUPPORT DEVICE**

(76) Inventor: **Roy C. Gomez**, 281 Linwood Dr.,
Richlands, VA (US) 24641

(**) Term: **14 Years**

(21) Appl. No.: **29/252,133**

(22) Filed: **Jan. 19, 2006**

(51) **LOC (8) Cl.** **24-99**

(52) **U.S. Cl.** **D24/128**

(58) **Field of Classification Search** D24/112,
D24/128, 130, 140, 190; 128/DIG. 6, DIG. 26;
604/174, 179

See application file for complete search history.

5,810,781 A	9/1998	Bierman
5,827,207 A	10/1998	MacMorran
5,845,643 A	12/1998	Vergano et al.
D404,817 S	1/1999	Gomez
5,925,007 A	7/1999	Ashline
6,042,568 A	3/2000	Gomez
6,258,066 B1	7/2001	Urich
D469,530 S	1/2003	Gomez
6,520,940 B1	2/2003	Gomez

* cited by examiner

Primary Examiner—Louis S. Zarfes

Assistant Examiner—Eric L. Goodman

(74) *Attorney, Agent, or Firm*—Thompson Hine LLP

(57) **CLAIM**

The design for a catheter stabilization and support device, as shown and described.

(56) **References Cited**

U.S. PATENT DOCUMENTS

4,316,461 A	2/1982	Marais et al.	
4,517,971 A	5/1985	Sorbonne	
4,846,807 A	7/1989	Safadago	
4,862,904 A	9/1989	West et al.	
4,870,976 A	10/1989	Denny	
4,945,925 A	8/1990	Garcia	
5,018,534 A	5/1991	Grant	
5,131,412 A	7/1992	Rankin	
5,279,574 A	1/1994	Forren	
5,291,903 A	3/1994	Reeves	
5,339,834 A	8/1994	Marcelli	
5,413,120 A	5/1995	Grant	
D362,072 S	* 9/1995	Sternberg D24/190
5,577,516 A	11/1996	Schaeffer	
5,682,905 A	11/1997	Grant	
5,785,057 A	7/1998	Fischer	

DESCRIPTION

FIG. 1 is a front perspective view of one embodiment of the catheter stabilization and support device of the present invention;

FIG. 2 is a top view of the catheter stabilization and support device of FIG. 1;

FIG. 3 is a front end view of the catheter stabilization and support device of FIG. 1;

FIG. 4 is a back end view of the catheter stabilization and support device of FIG. 1; and,

FIG. 5 is a side view of the catheter stabilization and support device of FIG. 1.

The broken lines are for illustrative purposes only and do not constitute any part of the claimed design.

1 Claim, 3 Drawing Sheets

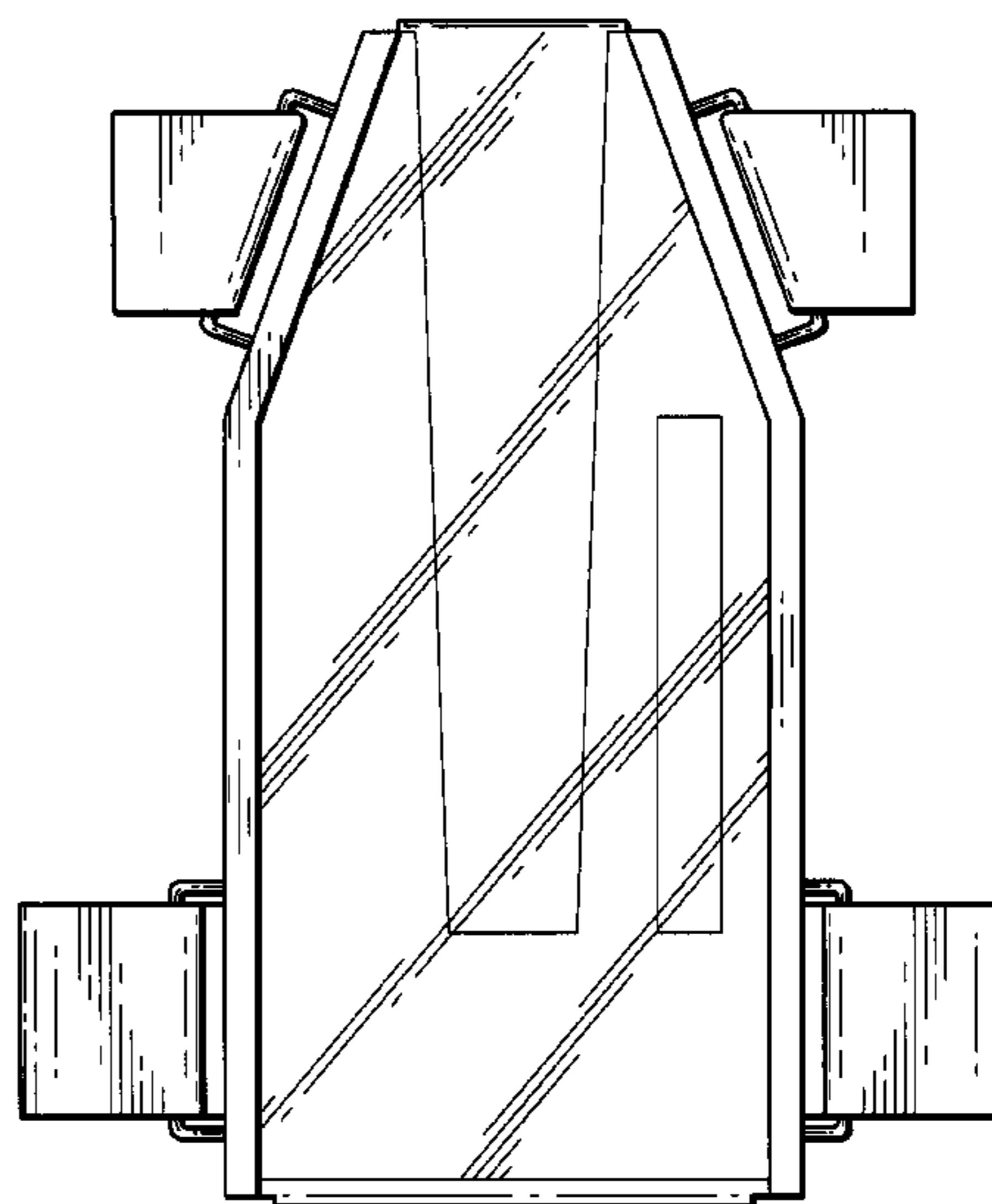
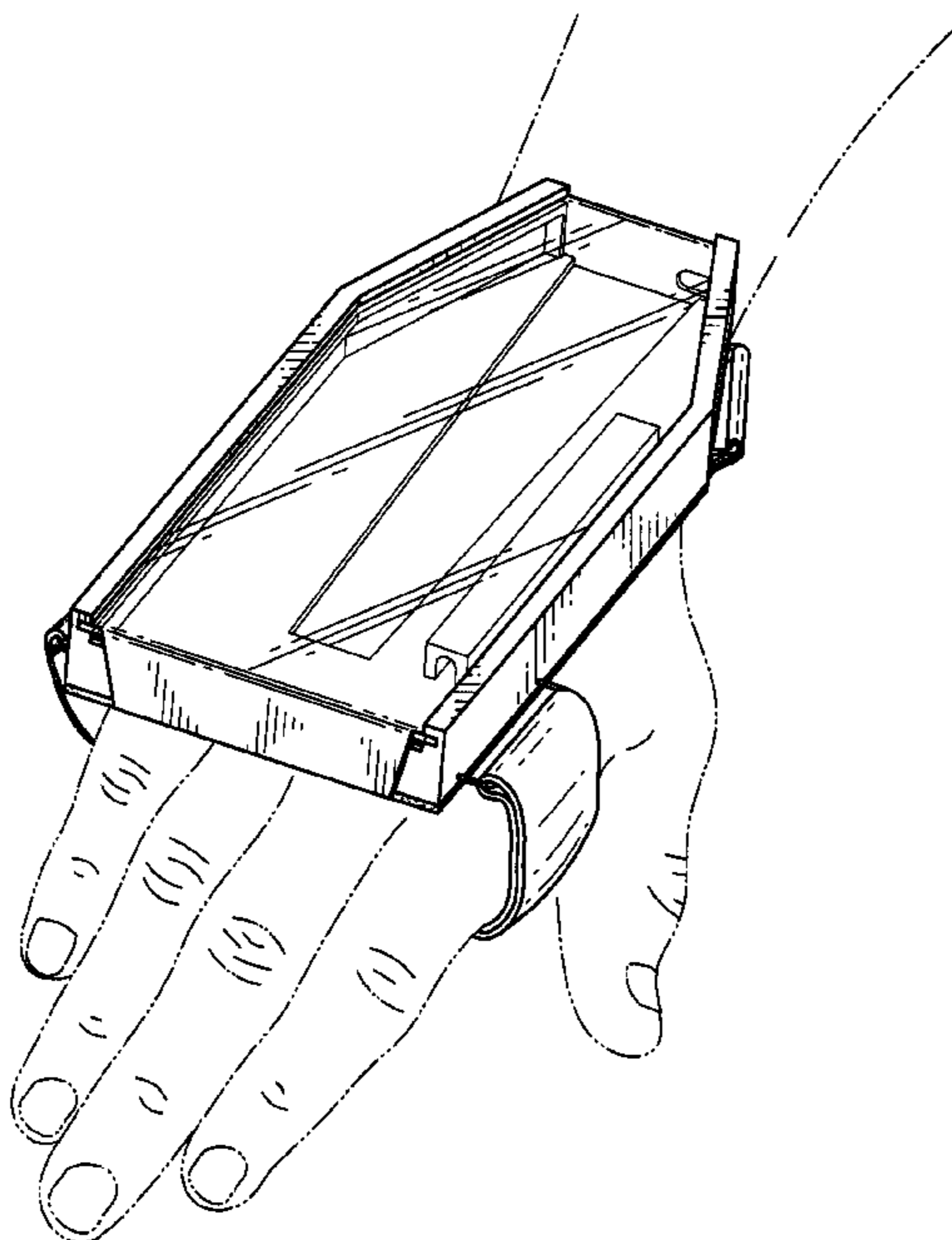


FIG. 1

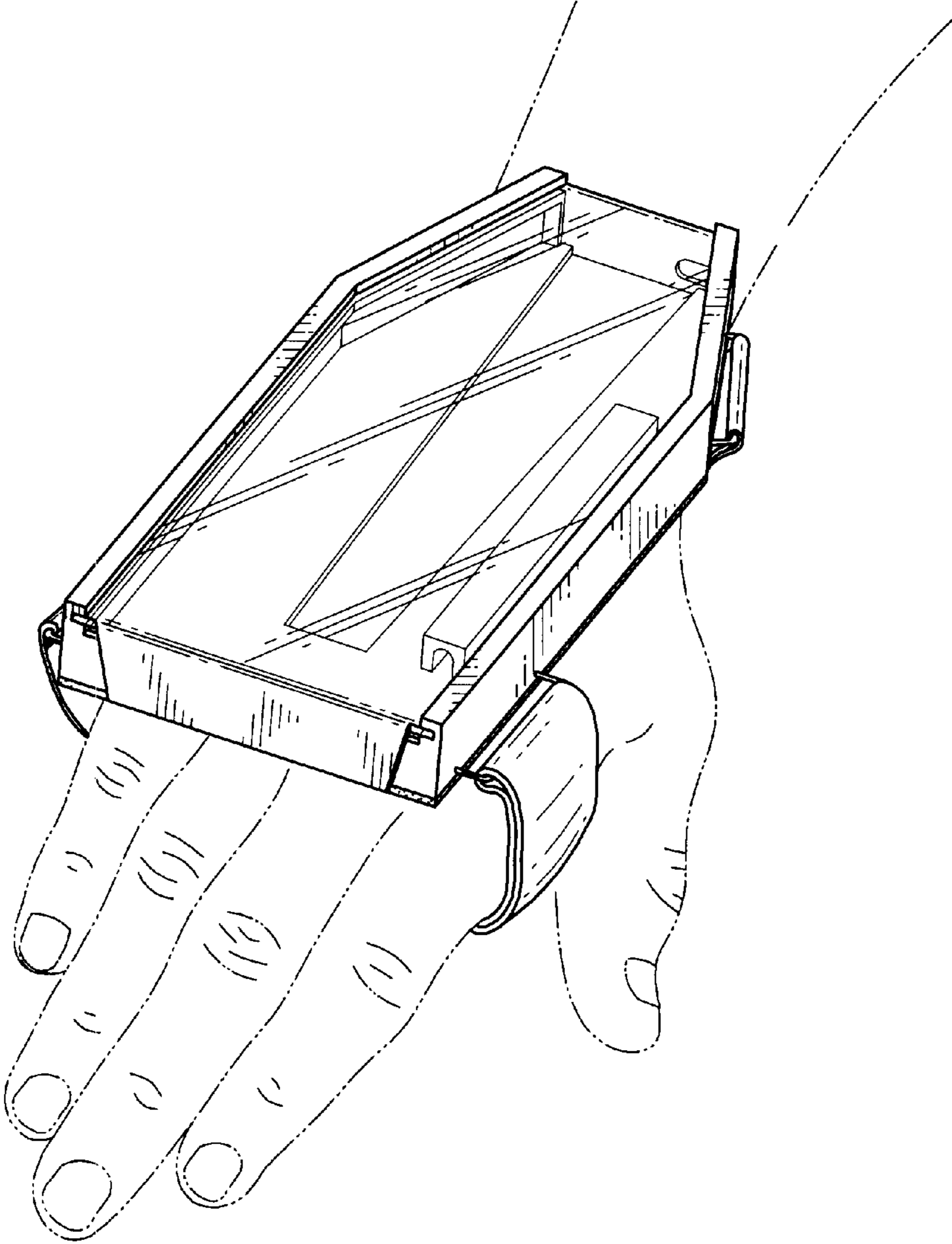


FIG. 2

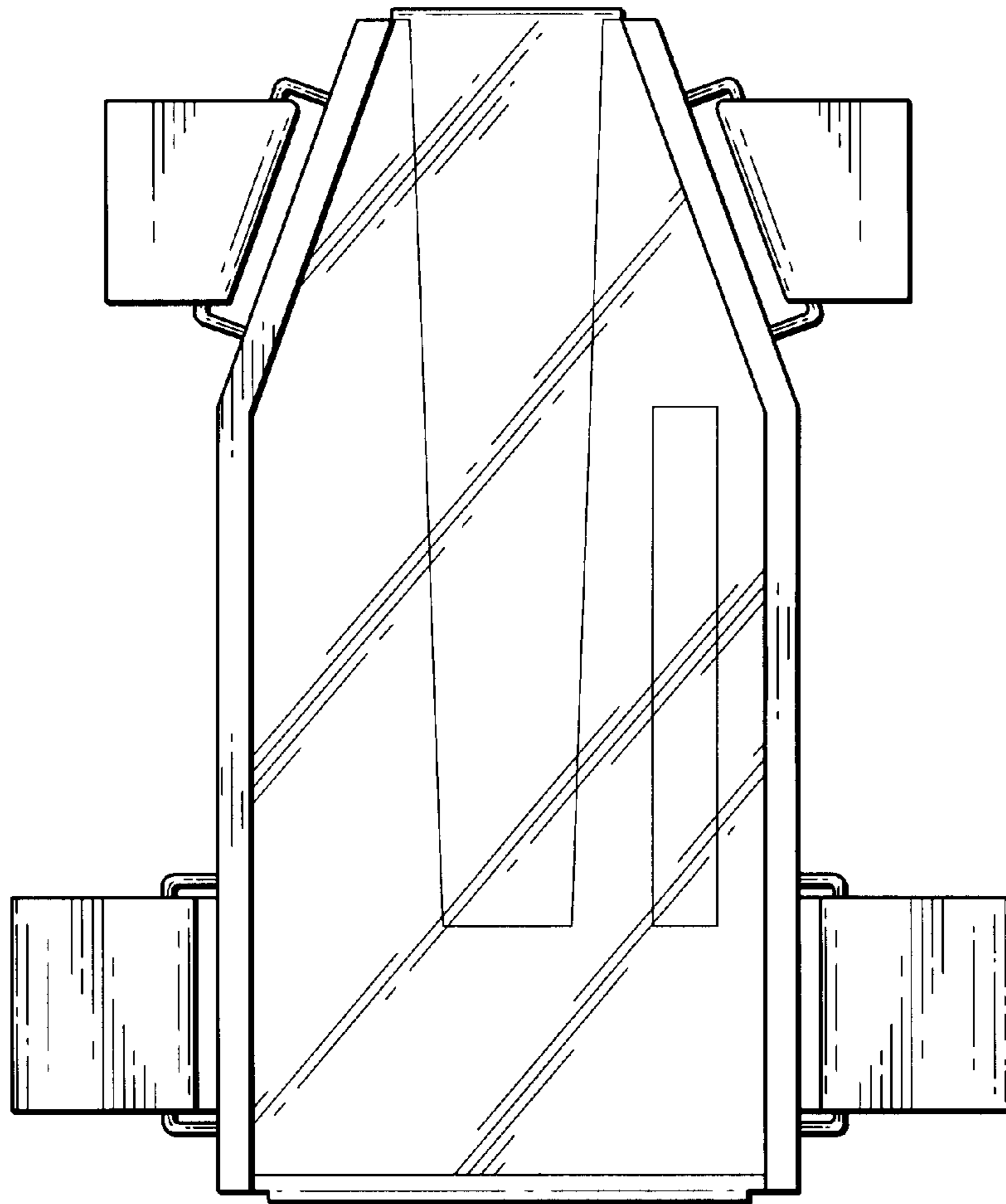


FIG. 3

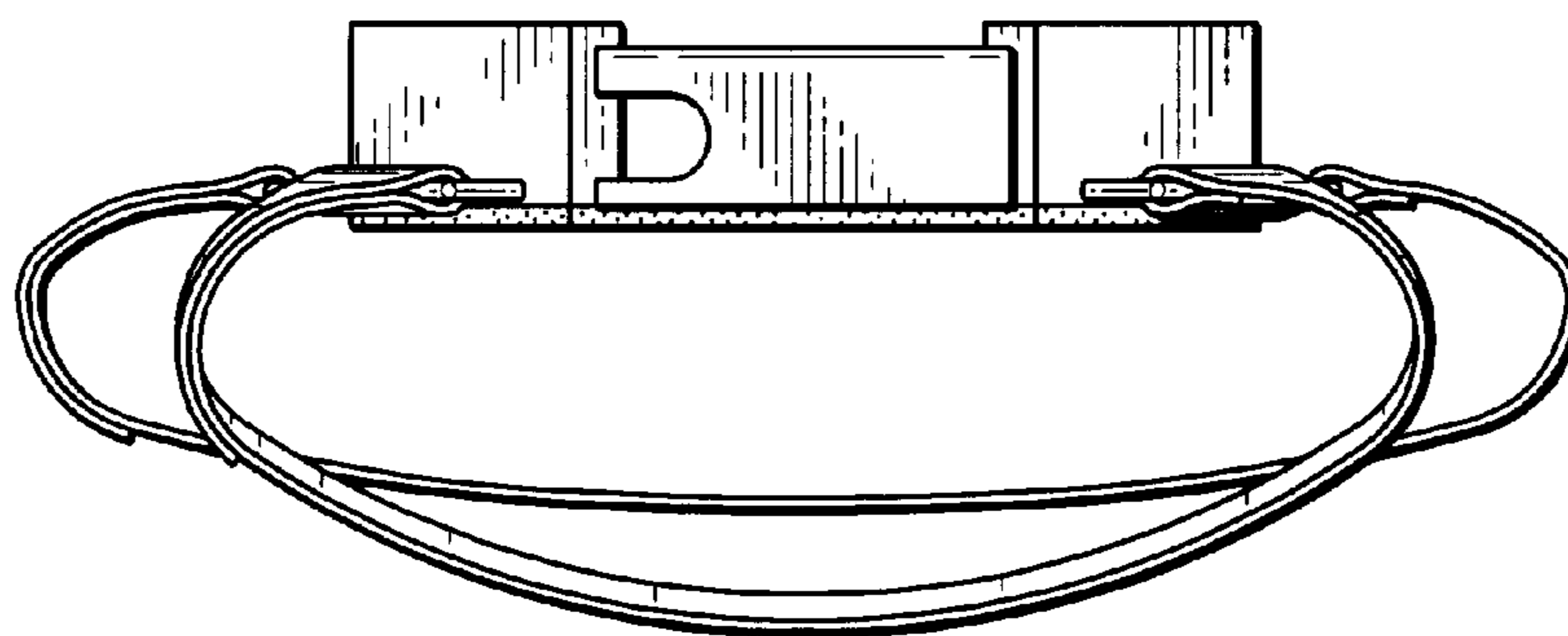


FIG. 4

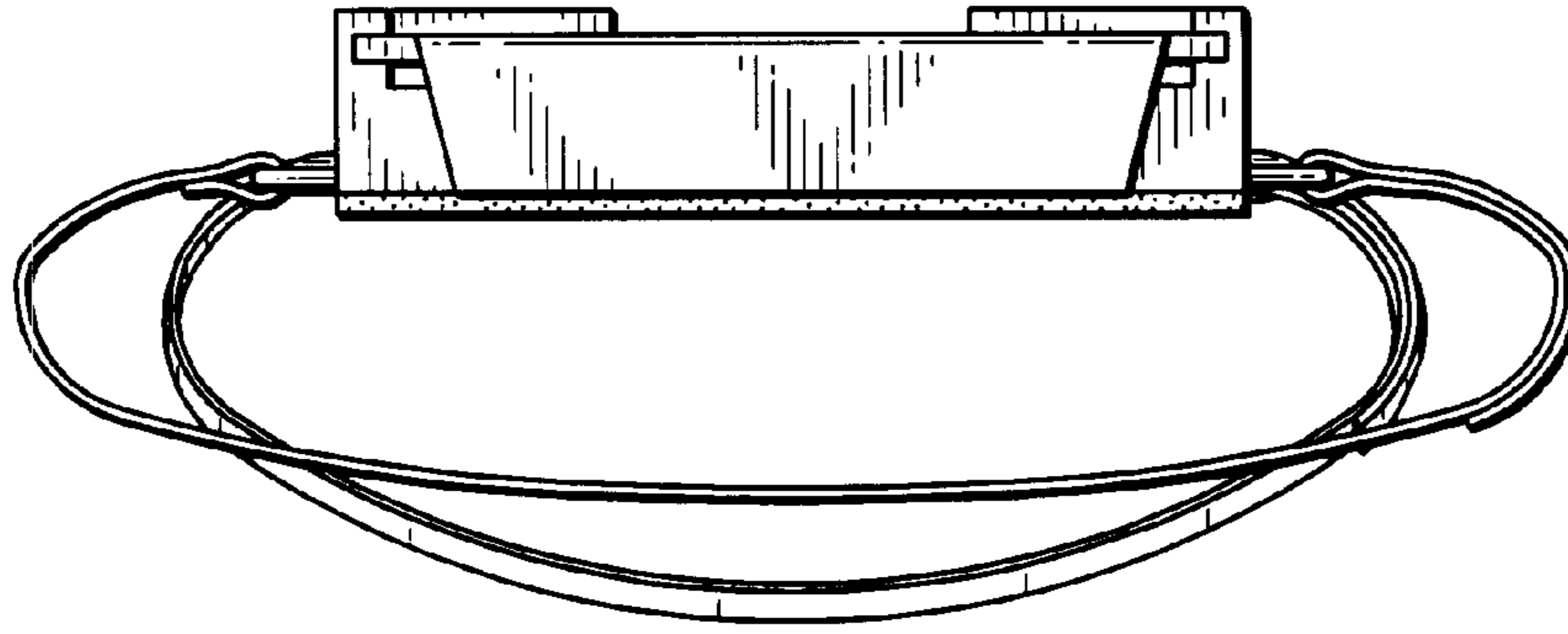


FIG. 5

