

US00D541930S

(12) **United States Design Patent**
Pickett

(10) **Patent No.:** **US D541,930 S**

(45) **Date of Patent:** **** May 1, 2007**

(54) **CEILING FAN HOUSING**

(76) **Inventor:** **Mark Pickett**, 1419 E. Palm St.,
Altadena, CA (US) 91001

(**) **Term:** **14 Years**

(21) **Appl. No.:** **29/257,339**

(22) **Filed:** **Apr. 3, 2006**

(51) **LOC (8) Cl.** **23-04**

(52) **U.S. Cl.** **D23/411**

(58) **Field of Classification Search** D23/411,
D23/377, 379, 385; 416/5; 392/364

See application file for complete search history.

(56) **References Cited**

U.S. PATENT DOCUMENTS

D406,332 S * 3/1999 Liu D23/411
D504,173 S * 4/2005 Cohen D23/411

* cited by examiner

Primary Examiner—Lisa Lichtenstein

(74) *Attorney, Agent, or Firm*—Parsons & Goltry; Michael
W. Goltry; Robert A. Parsons

(57) **CLAIM**

The ornamental design for a ceiling fan housing, as shown
and described.

DESCRIPTION

FIG. 1 is a top perspective view of a ceiling fan housing
showing my new design;

FIG. 2 is a bottom perspective view thereof;

FIG. 3 is a top plan view thereof;

FIG. 4 is a bottom plan view thereof; and,

FIG. 5 is a front elevational view thereof, the rear elevational
view thereof, the left side elevational view thereof, and the
right side elevational view thereof being substantially the
same thereof.

The broken line showing of the ceiling fan support rod is
included for the purpose of illustrating environmental struc-
ture and forms no part of the claimed design.

1 Claim, 5 Drawing Sheets

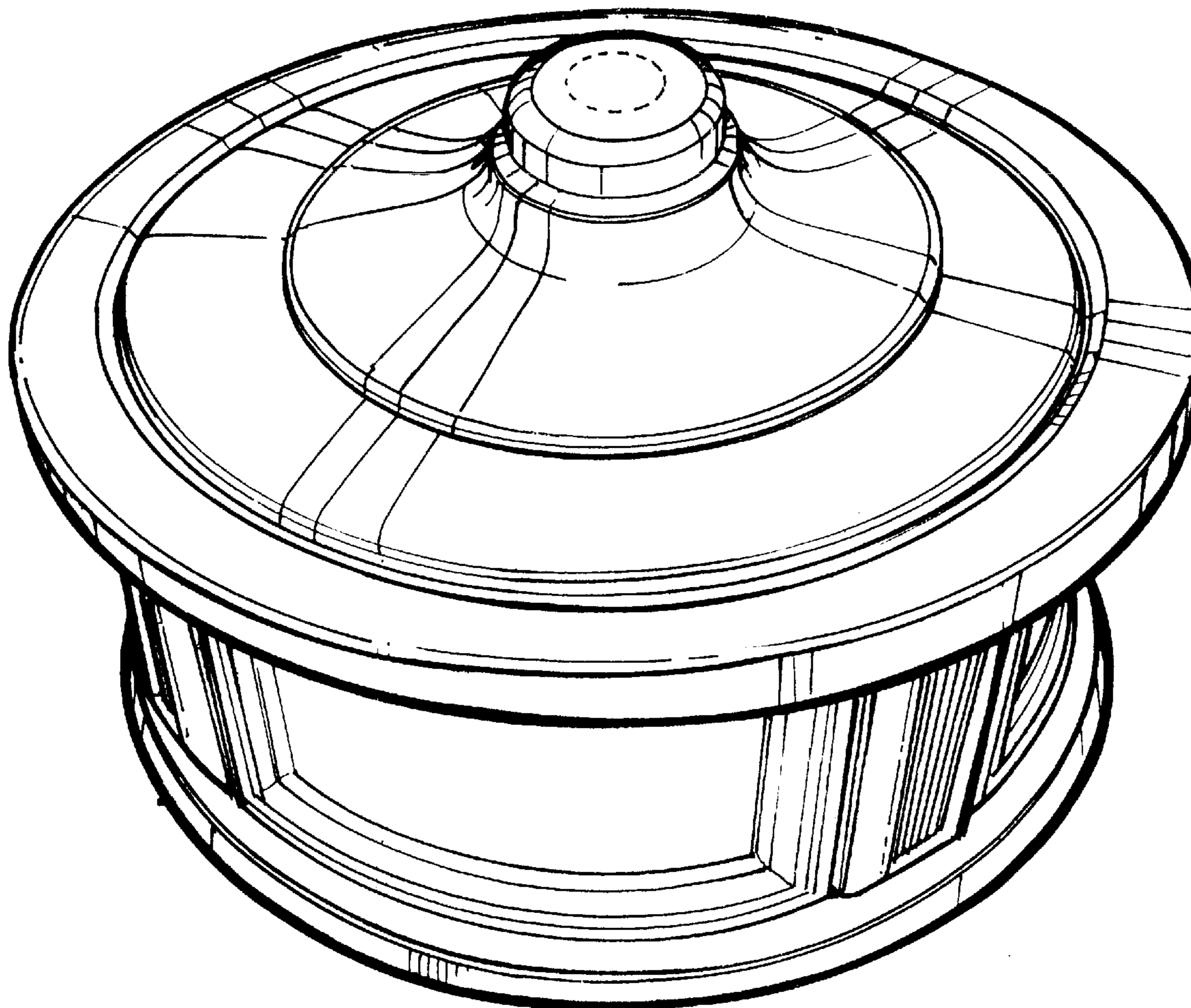


FIGURE 1

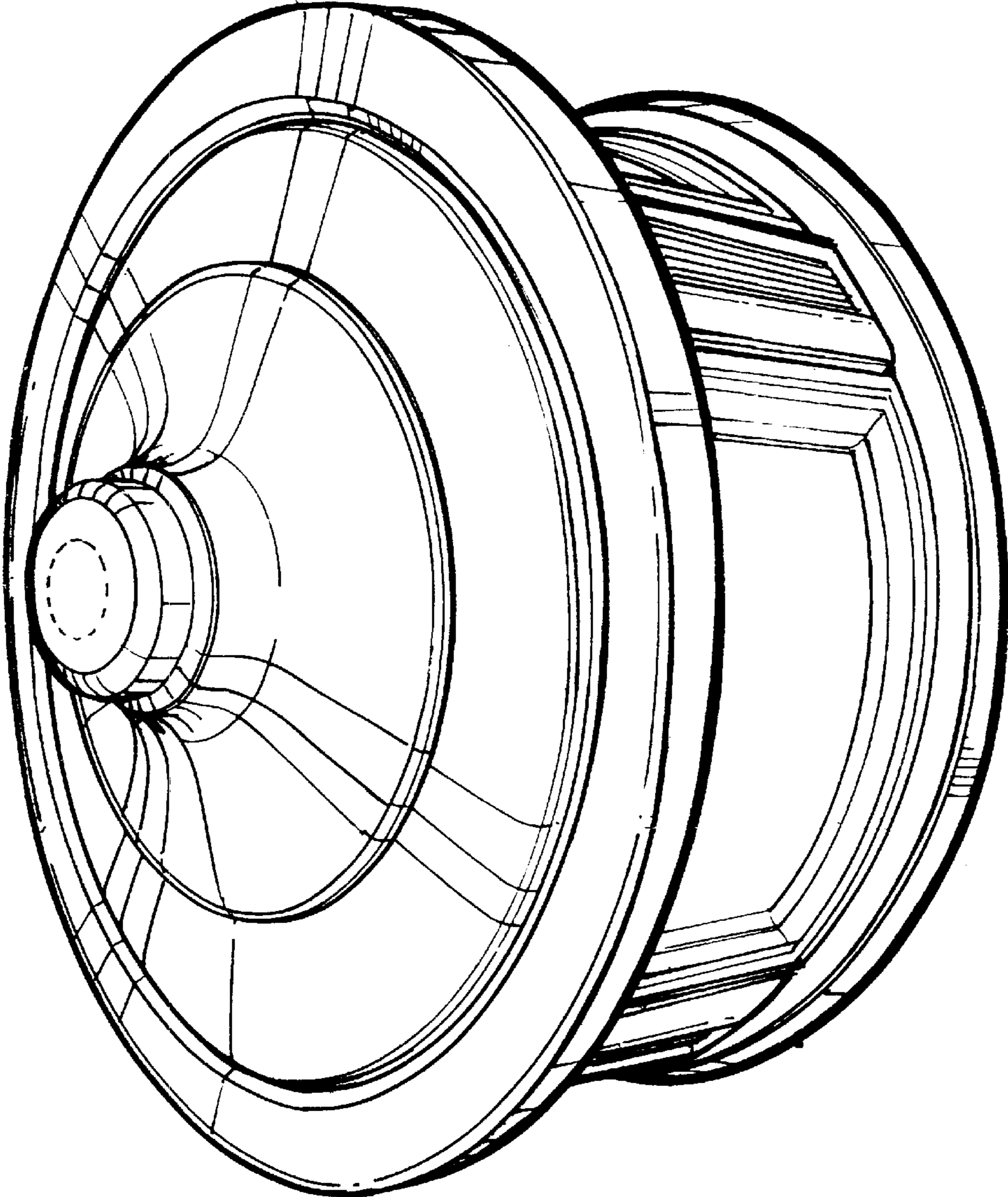
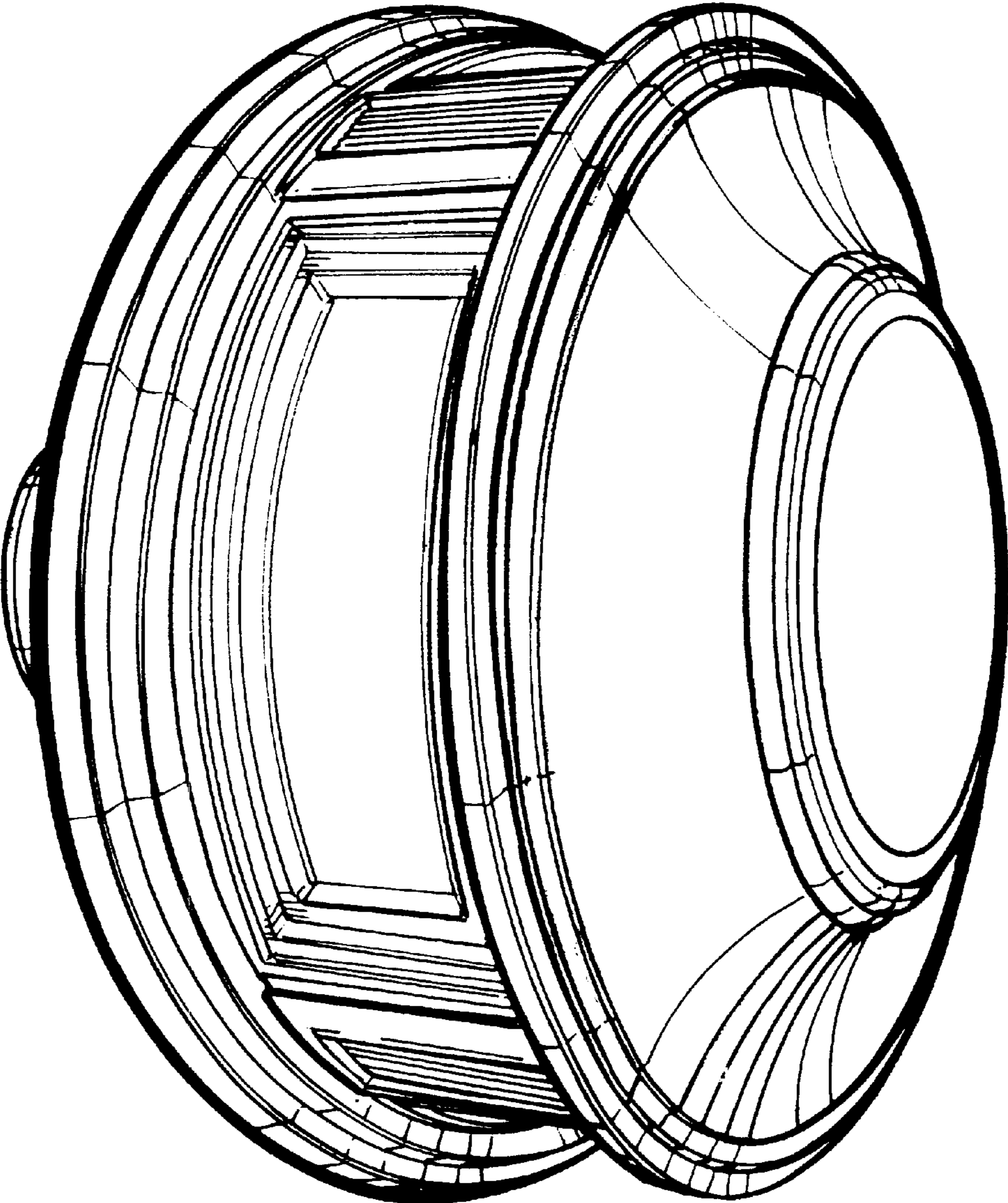


FIGURE 2



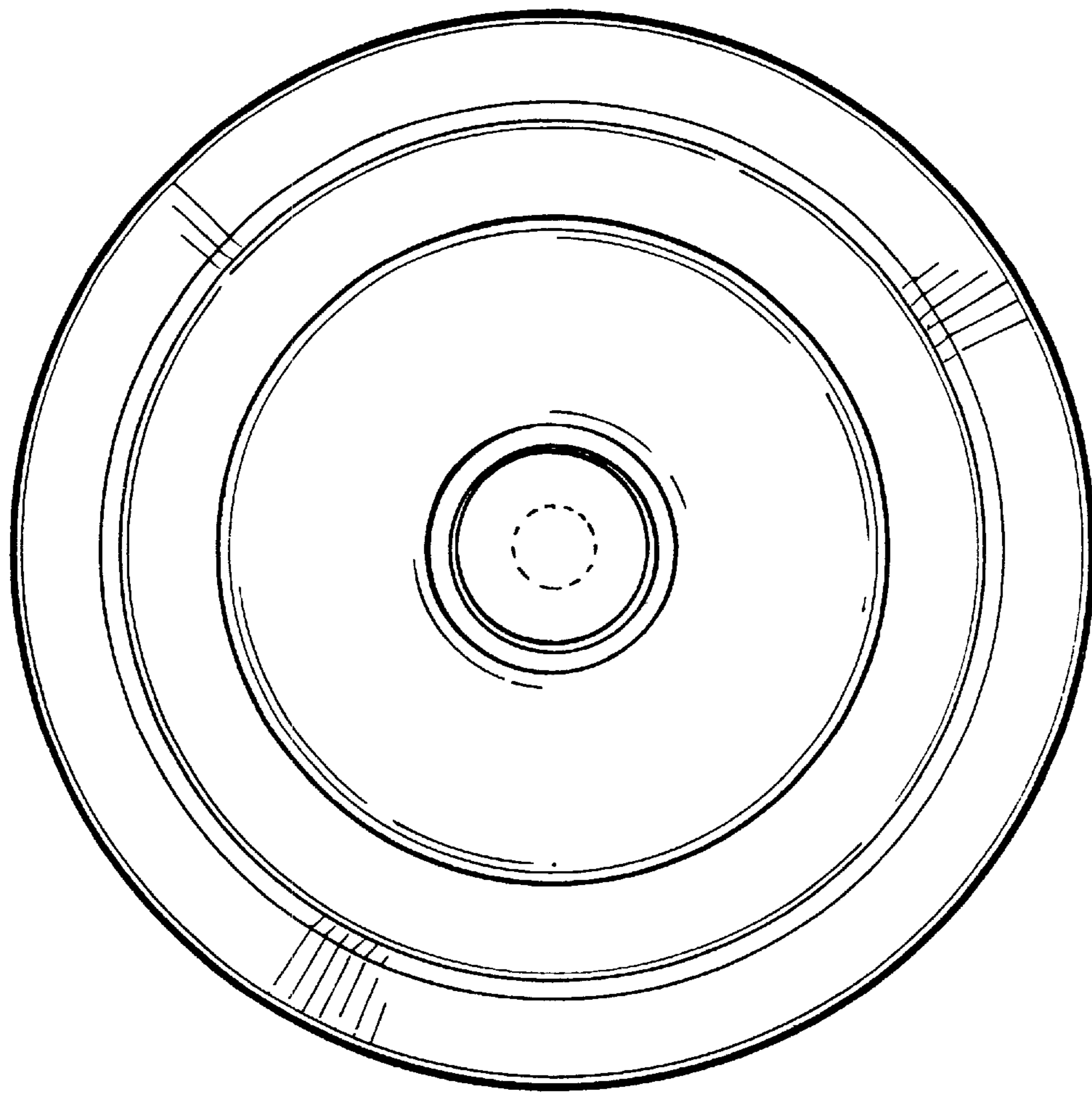


FIGURE 3

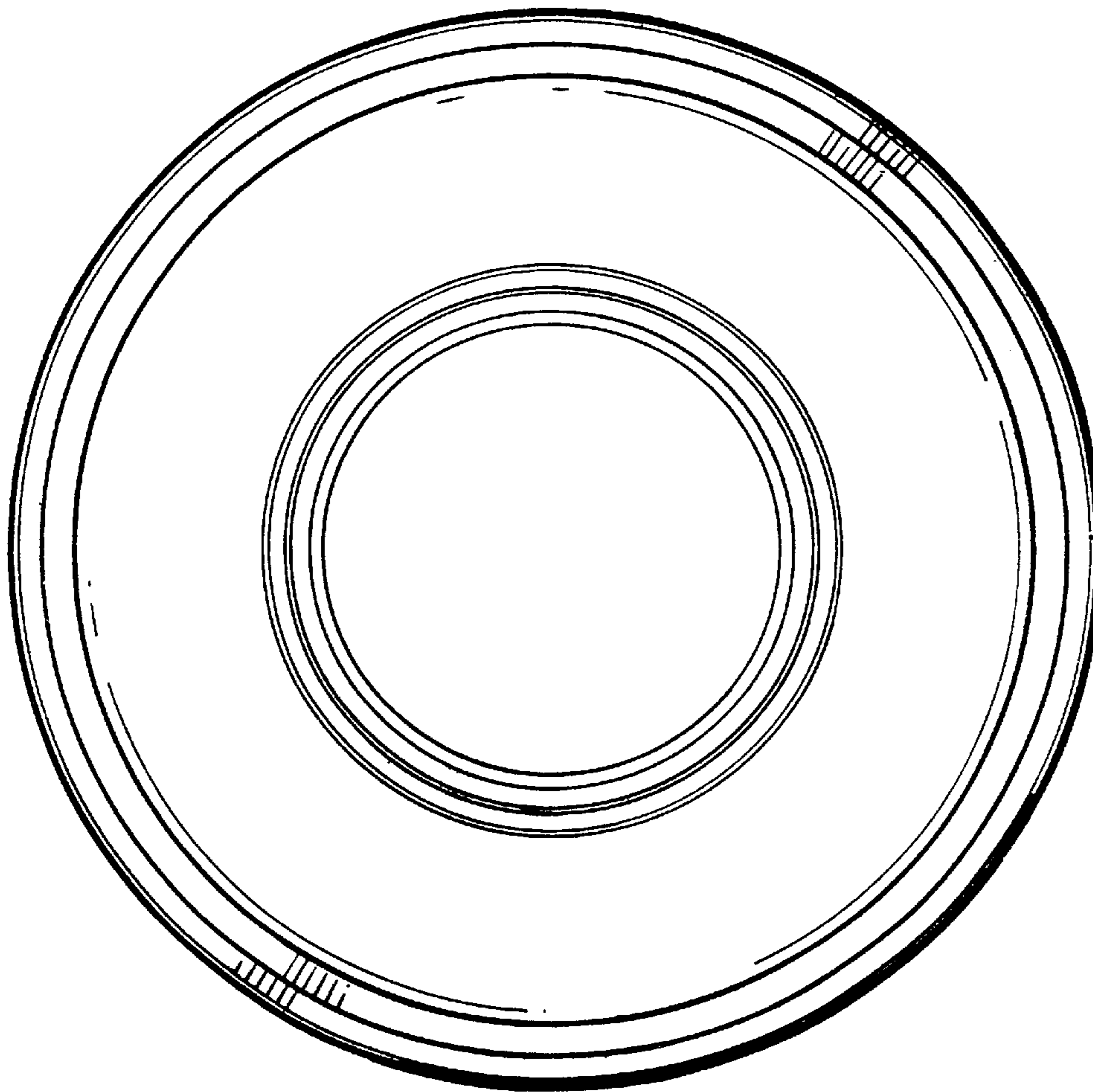


FIGURE 4

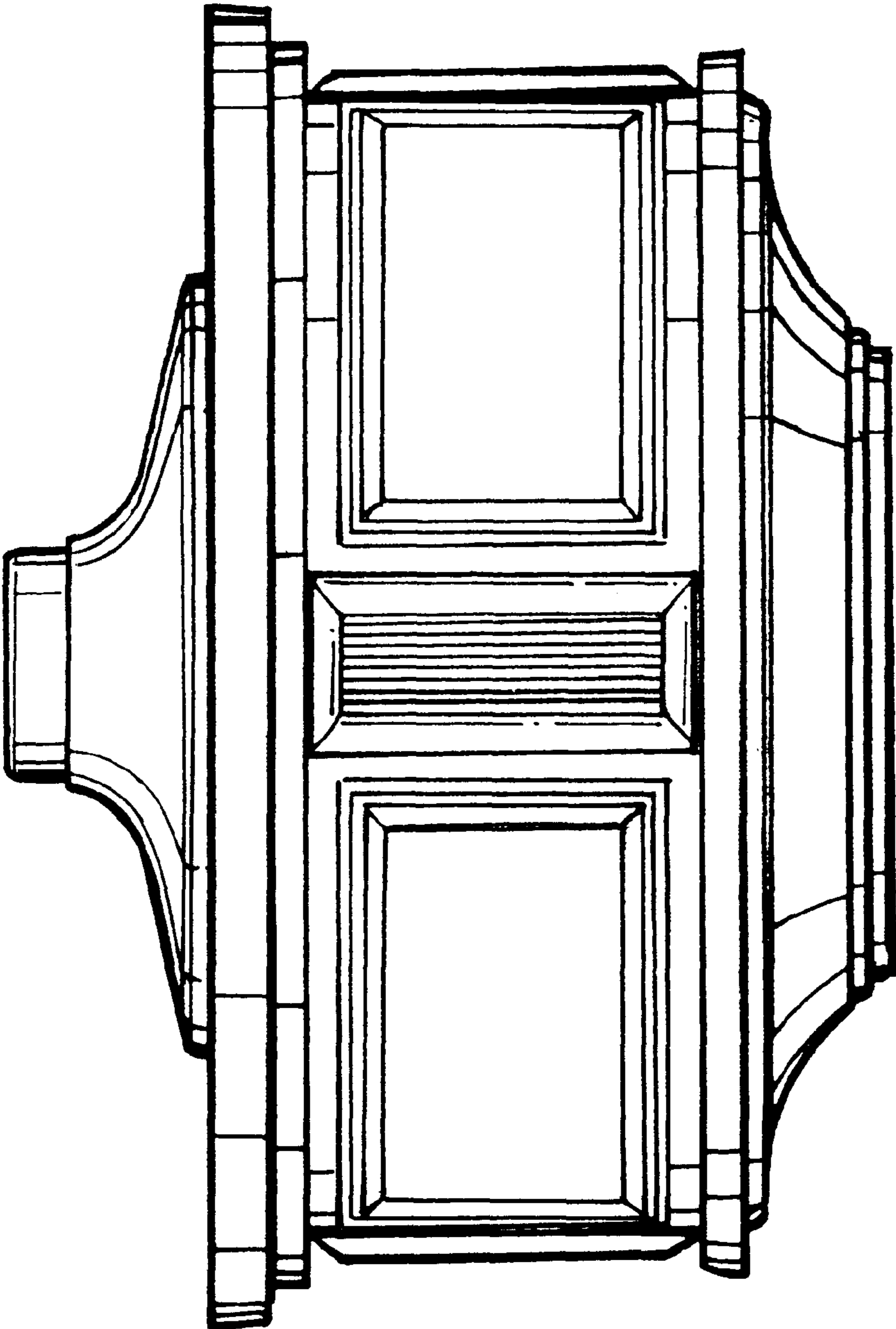


FIGURE 5