



US00D541929S

(12) **United States Design Patent**
Russak et al.

(10) **Patent No.:** **US D541,929 S**

(45) **Date of Patent:** **** May 1, 2007**

(54) **DUAL FAN HEAD UNIT**

D352,105 S * 11/1994 Chen D23/380
D457,618 S * 5/2002 Lee et al. D23/382

(75) Inventors: **Stephen Russak**, Demarest, NJ (US);
Anthony DeMore, Chardon, OH (US);
Alvaro Miguel Pinto de Araujo, Vila
Nova de Gaia (PT)

* cited by examiner

Primary Examiner—Lisa Lichtenstein

(74) *Attorney, Agent, or Firm*—Darby & Darby

(73) Assignee: **Kaz, Incorporated**, New York, NY
(US)

(57) **CLAIM**

The ornamental design for a dual fan head unit, as shown
and described.

(**) Term: **14 Years**

DESCRIPTION

(21) Appl. No.: **29/252,229**

FIG. 1 is a top front perspective view of my new design for
a dual fan head unit;

(22) Filed: **Jan. 18, 2006**

FIG. 2 is an enlarged front elevation view thereof;

(51) **LOC (8) Cl.** **23-04**

FIG. 3 is an enlarged right side elevation view thereof;

(52) **U.S. Cl.** **D23/411**

FIG. 4 is an enlarged rear elevation view thereof;

(58) **Field of Classification Search** D23/380,

FIG. 5 is an enlarged bottom plan view thereof; and,

D23/411, 378, 381, 382, 335–336; 416/246,

FIG. 6 is an enlarged top plan view thereof.

416/247 R

See application file for complete search history.

The broken line showing of the fan stand, knobs and
apertures is included for the purpose of illustrating portions
of the dual fan head unit and forms no part of the claimed
design.

(56) **References Cited**

U.S. PATENT DOCUMENTS

2,626,742 A * 1/1953 Turner 416/120

1 Claim, 5 Drawing Sheets

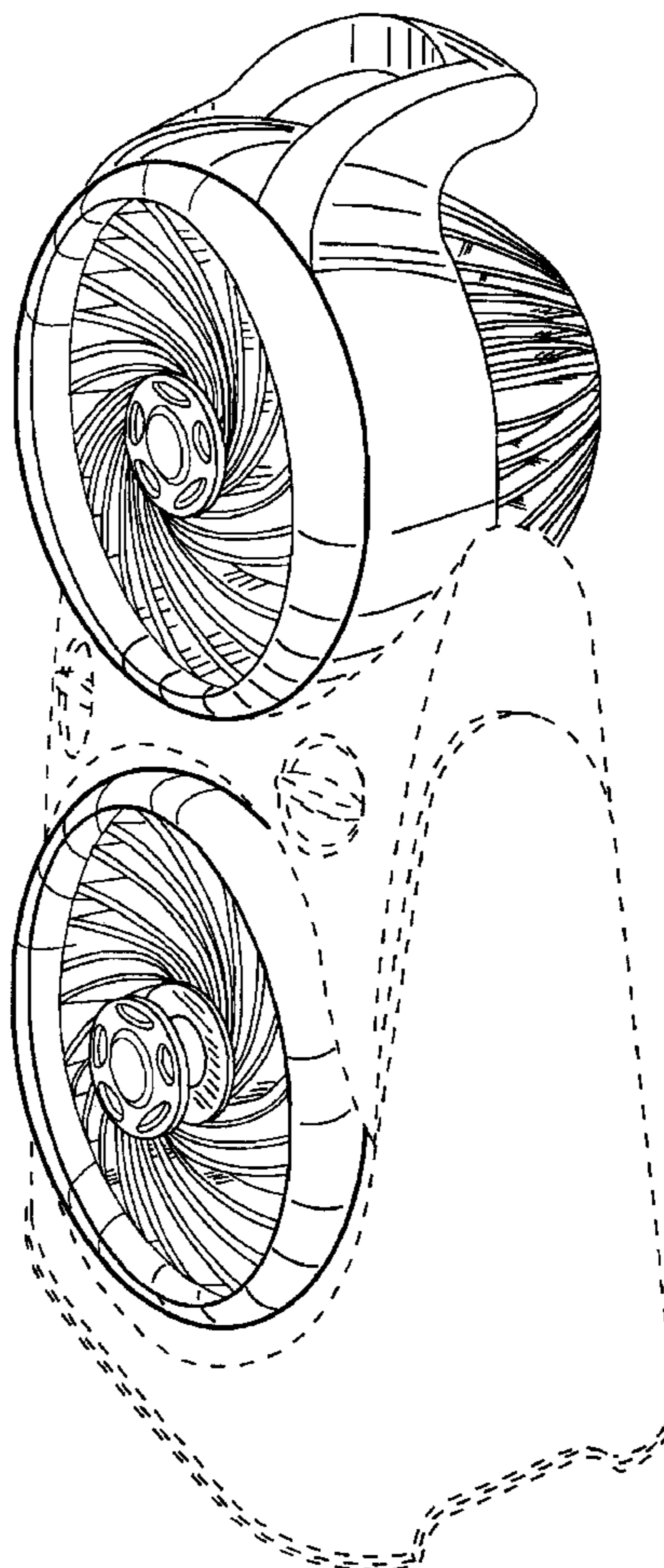


FIG. 1

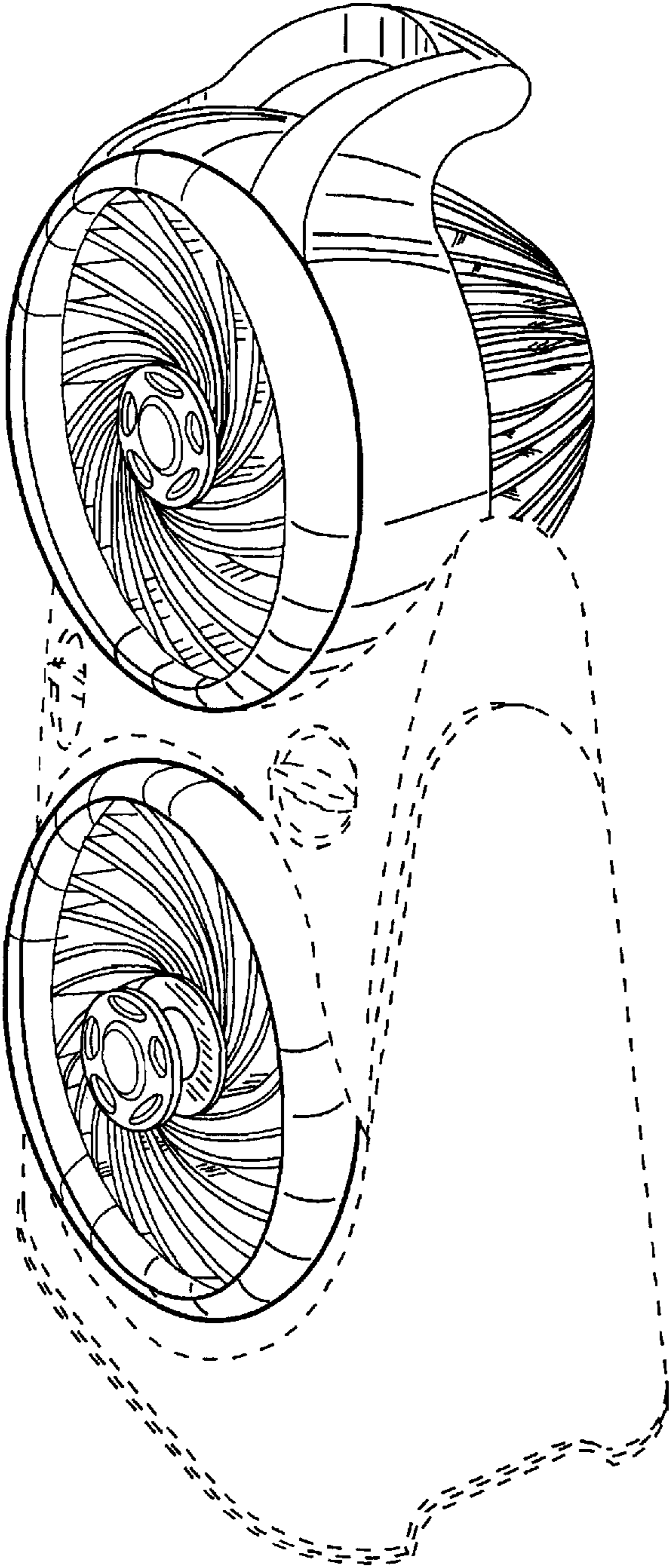


FIG. 2

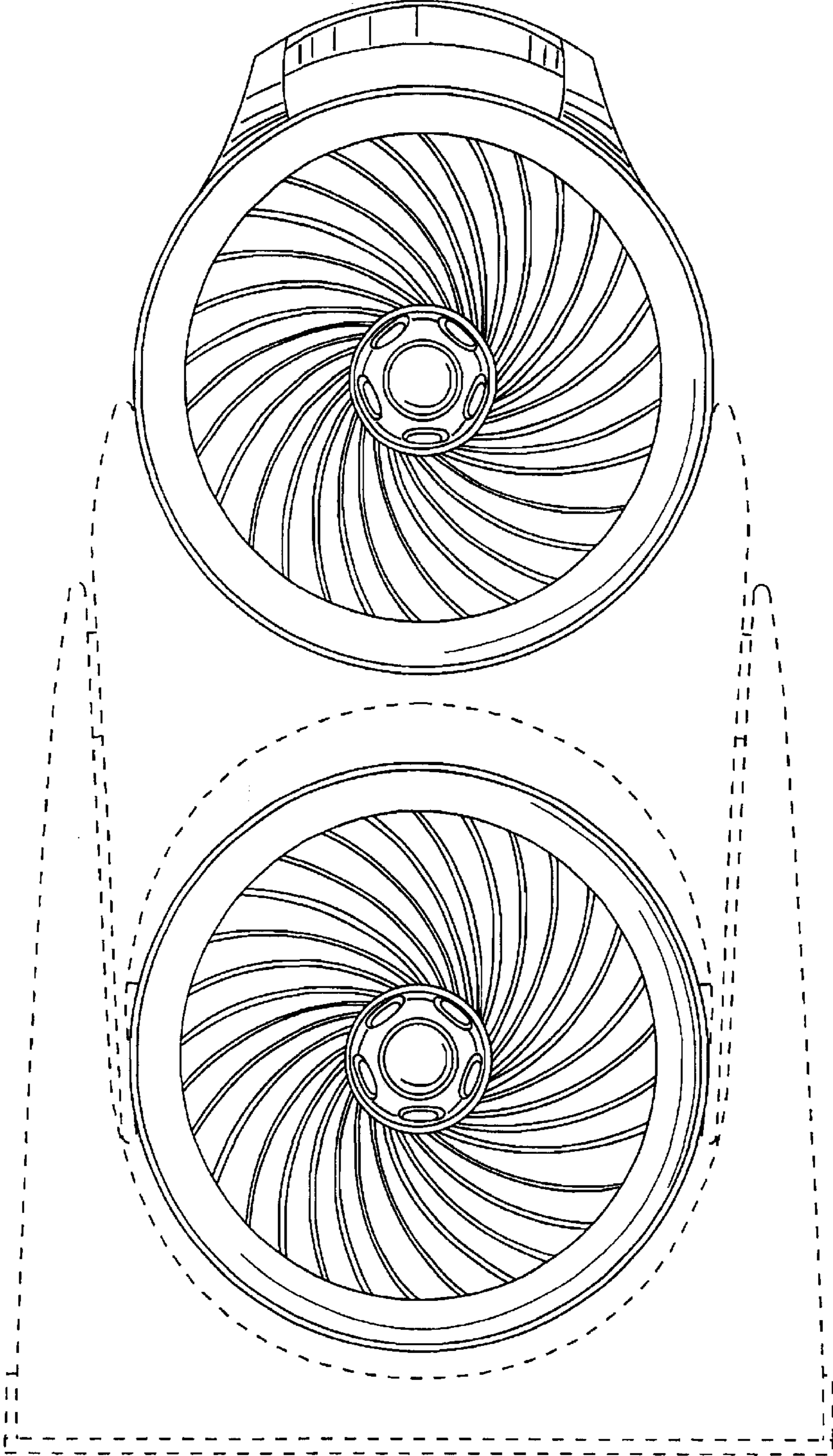


FIG. 3

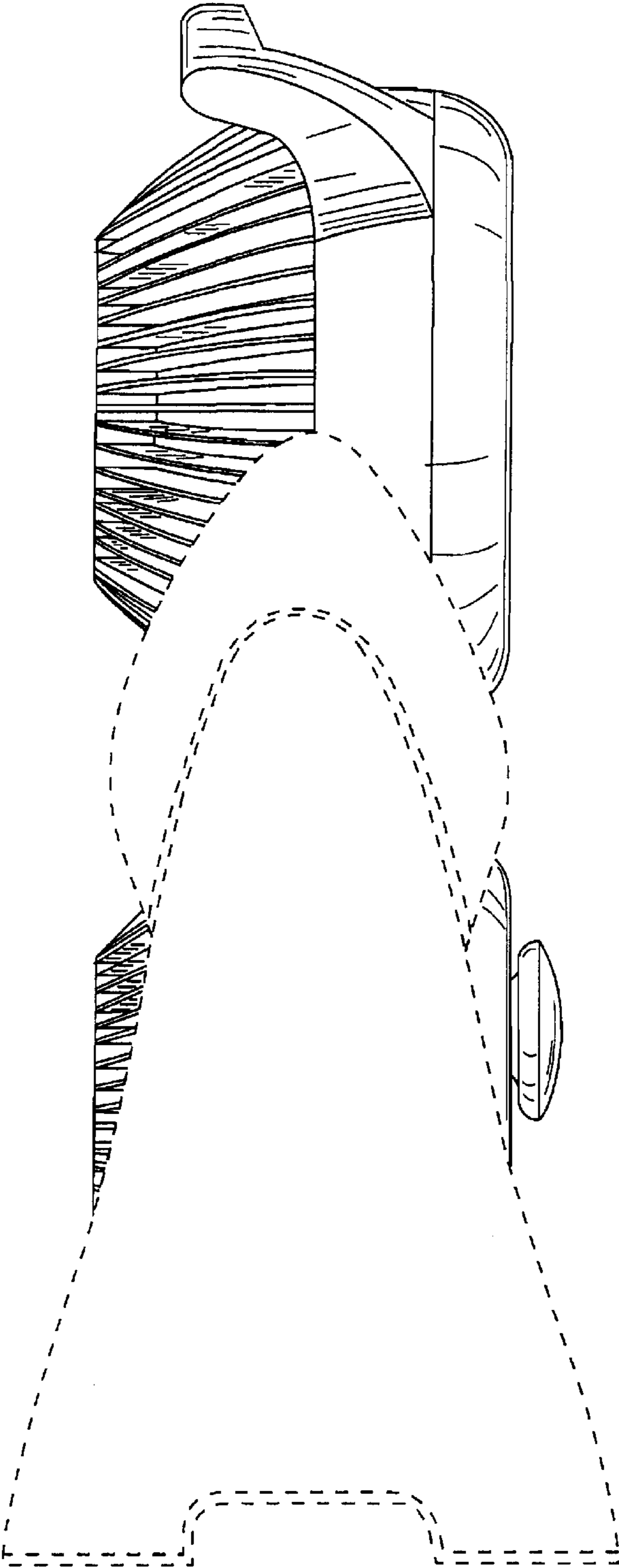


FIG. 4

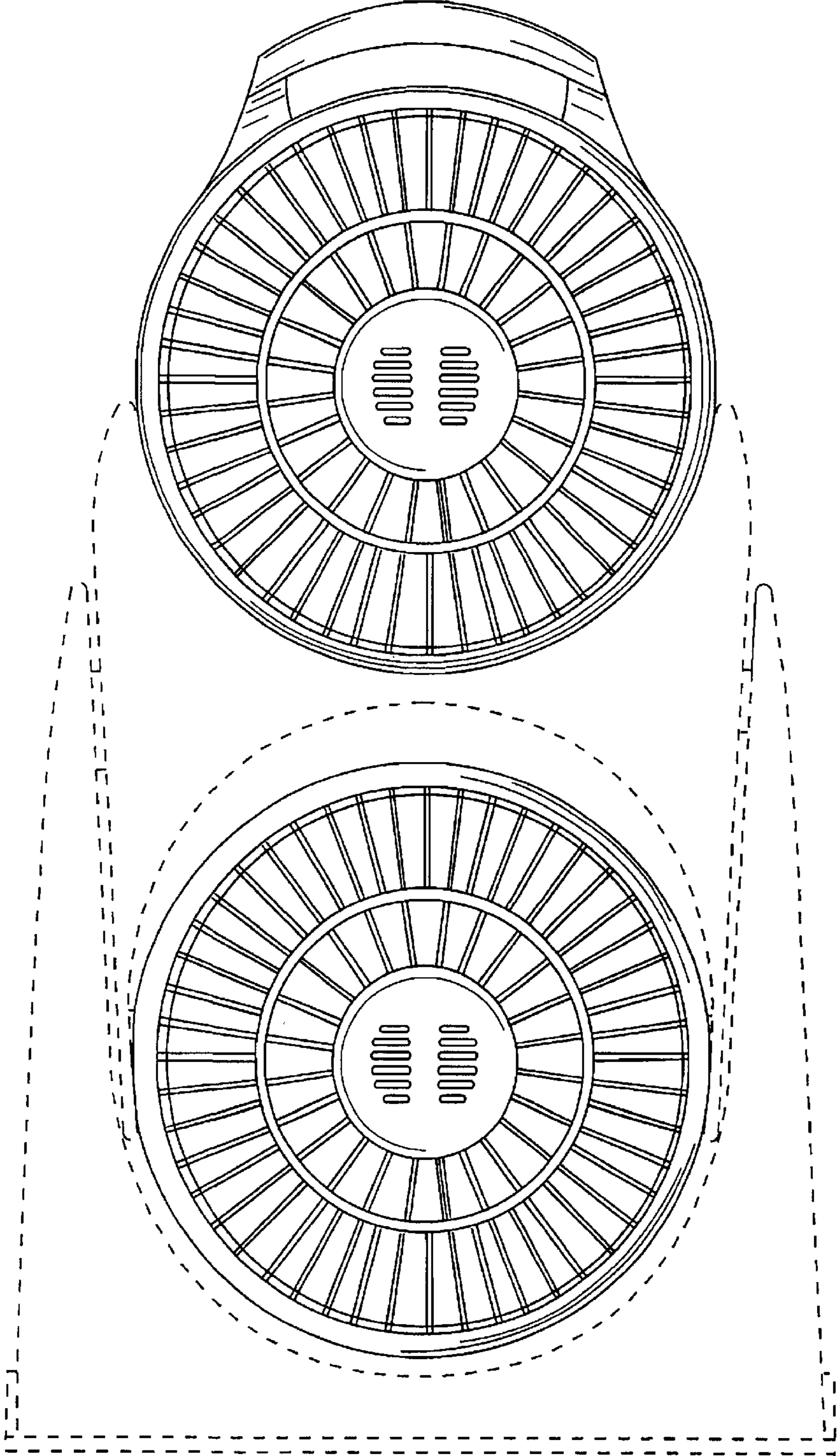


FIG. 5

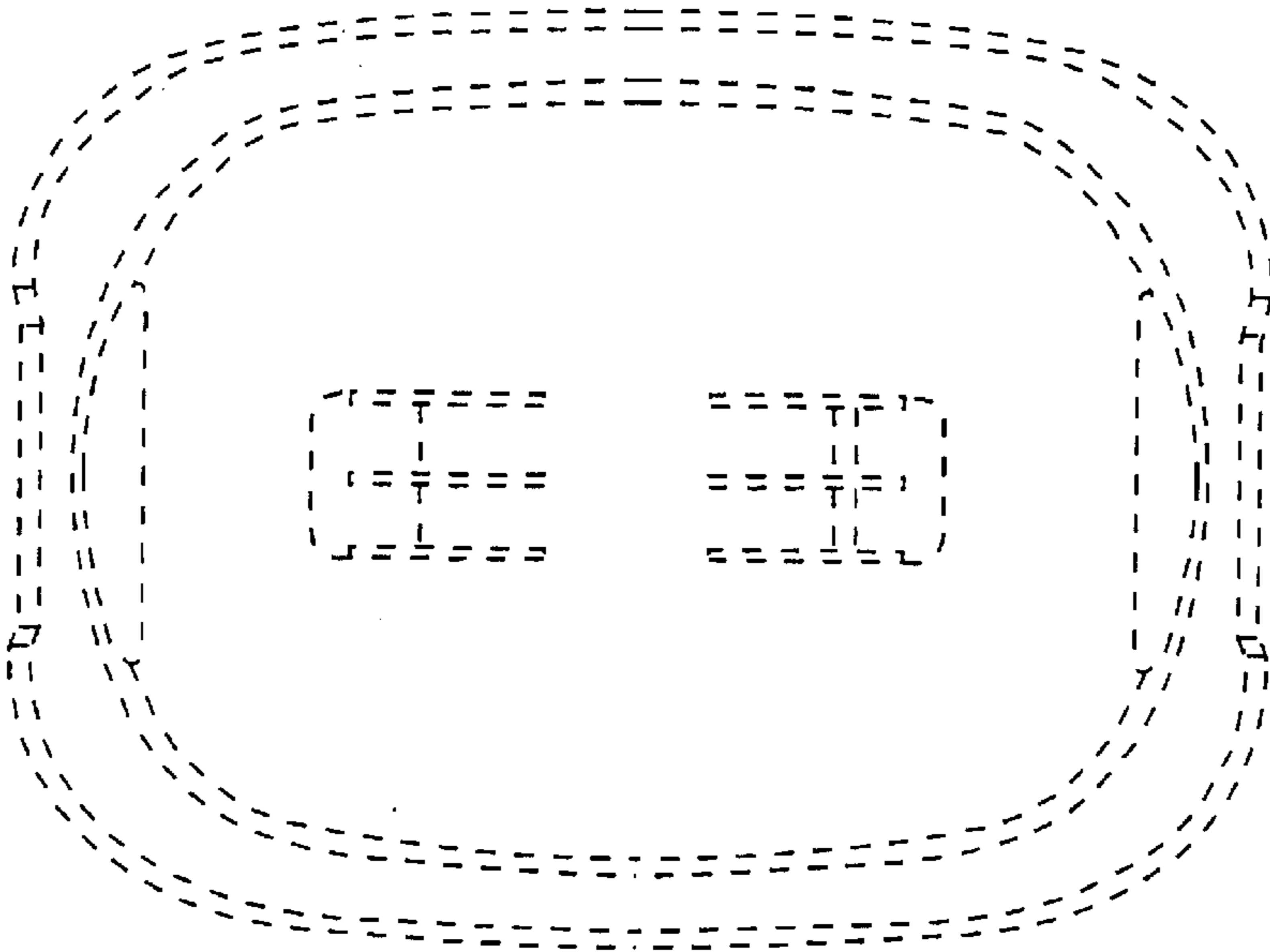


FIG. 6

