



US00D541926S

(12) **United States Design Patent** (10) **Patent No.:** **US D541,926 S**
Russak et al. (45) **Date of Patent:** **** May 1, 2007**

(54) **FAN HEAD**

D421,114 S * 2/2000 Lozzio et al. D23/382
D440,648 S * 4/2001 Lee et al. D23/382

(75) Inventors: **Stephen Russak**, Demarest, NJ (US);
Anthony DeMore, Chardon, OH (US);
Alvaro Miguel Pinto de Araujo, Vila
Nova de Gaia (PT)

* cited by examiner

Primary Examiner—Lisa Lichtenstein
(74) *Attorney, Agent, or Firm*—Darby & Darby

(73) Assignee: **Kaz, Incorporated**, New York, NY
(US)

(57) **CLAIM**

The ornamental design for a fan head, as shown and described.

(**) Term: **14 Years**

DESCRIPTION

(21) Appl. No.: **29/252,226**

FIG. 1 is a top front perspective view of my new design for a fan head;

(22) Filed: **Jan. 18, 2006**

FIG. 2 is a front elevation view thereof;

(51) **LOC (8) Cl.** **23-04**

FIG. 3 is a left side elevation view thereof;

(52) **U.S. Cl.** **D23/382**

FIG. 4 is a top plan view thereof;

(58) **Field of Classification Search** D23/370,

FIG. 5 is a rear elevation view thereof; and,

D23/381, 382, 332, 335–336, 411, 412; 416/247 R,

FIG. 6 is a bottom plan view thereof.

416/246

See application file for complete search history.

The broken line showing of a fan stand is included for the purpose of illustrating environmental structure and forms no part of the claimed design.

(56) **References Cited**

U.S. PATENT DOCUMENTS

D400,242 S * 10/1998 Litvin D23/382

1 Claim, 2 Drawing Sheets

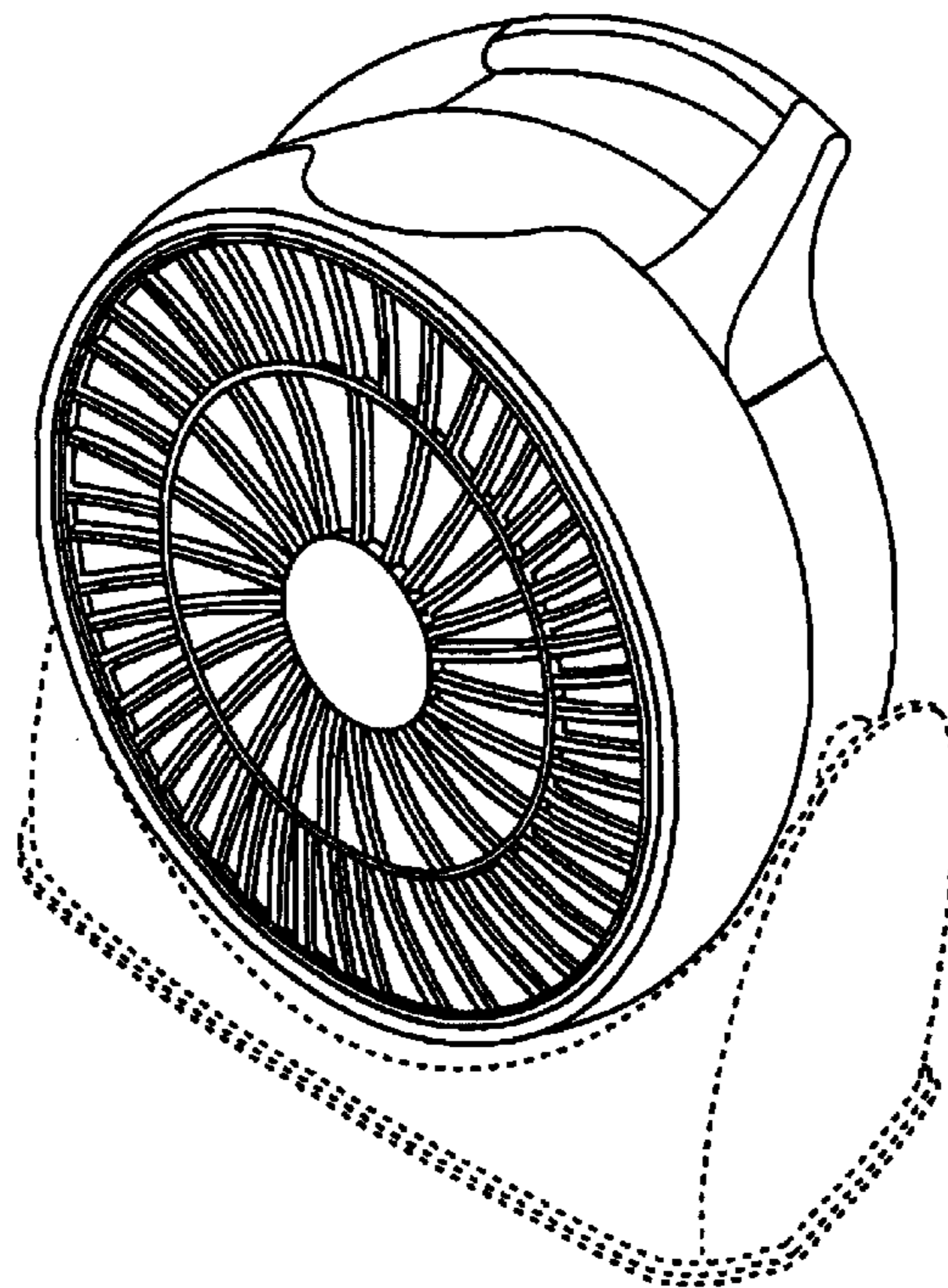


FIG. 1

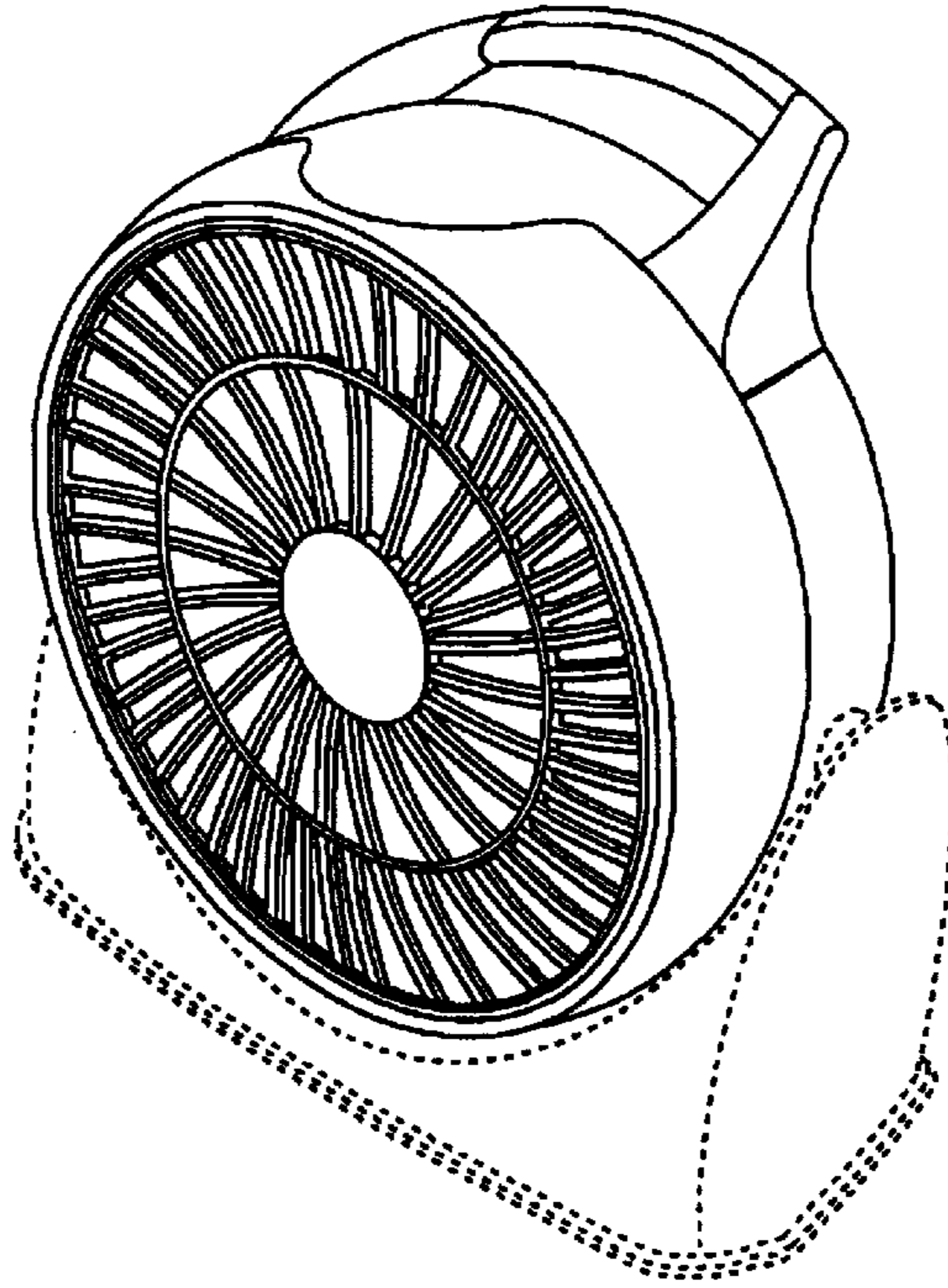


FIG. 2

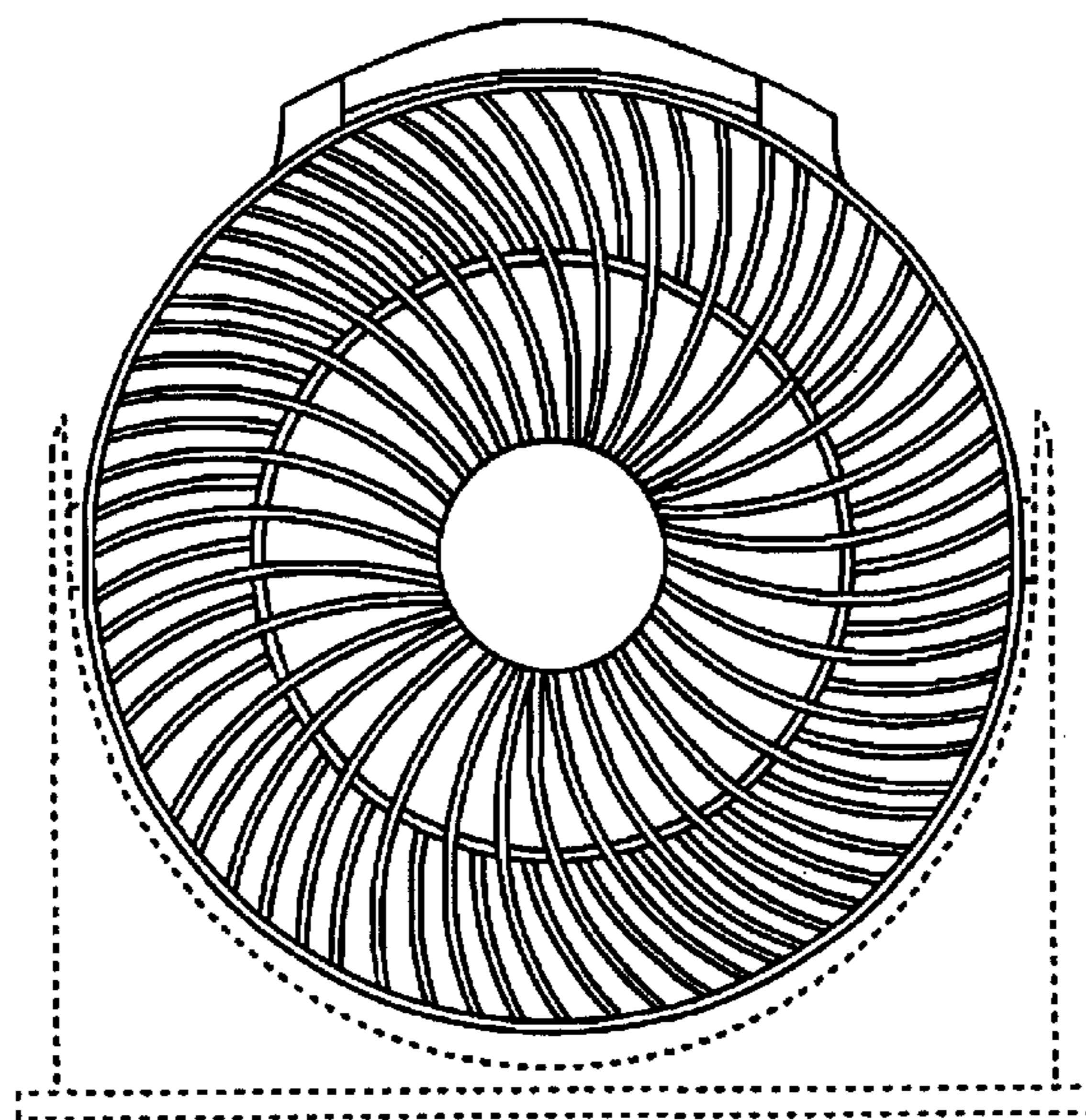


FIG. 3

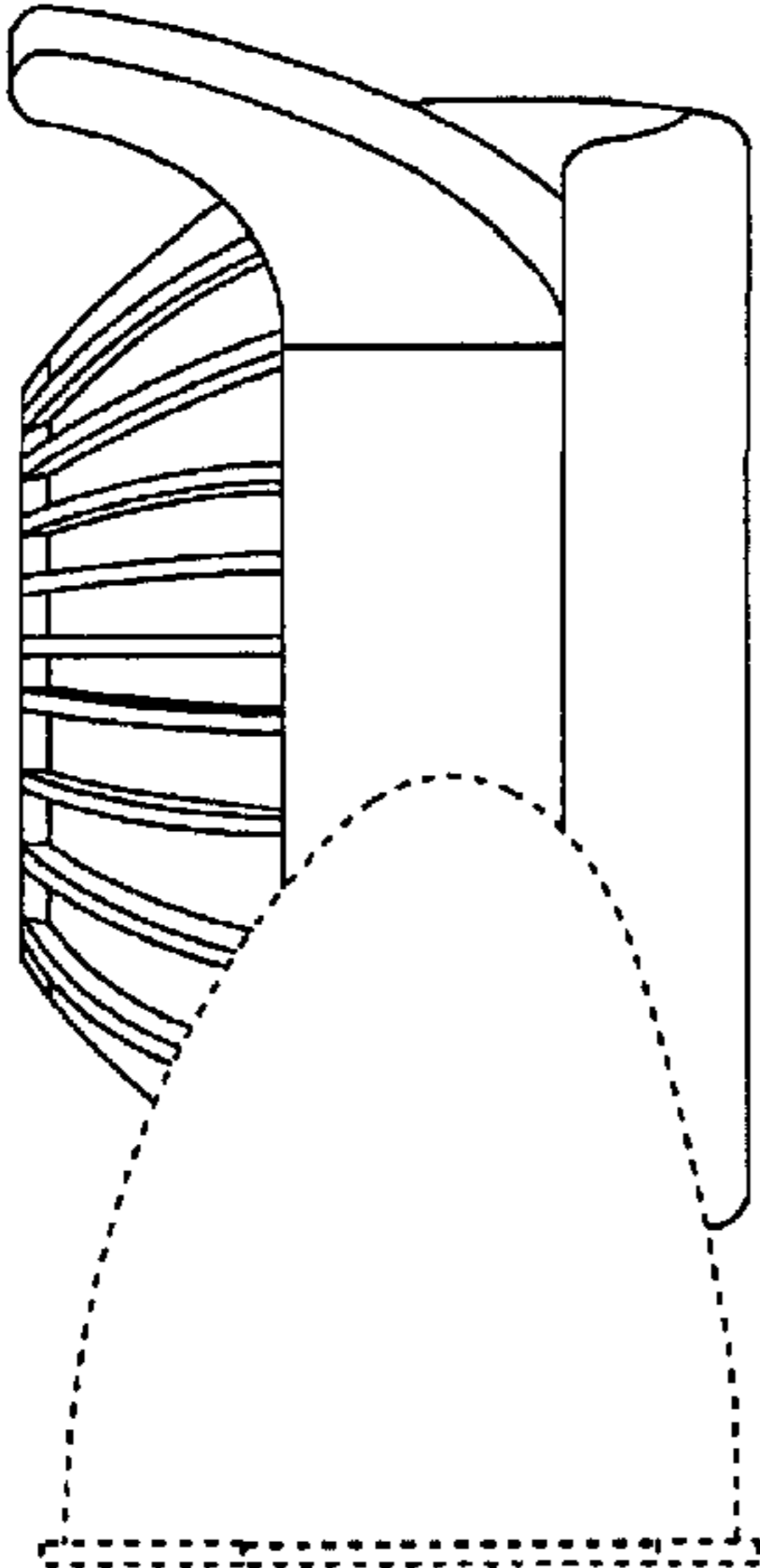


FIG. 4

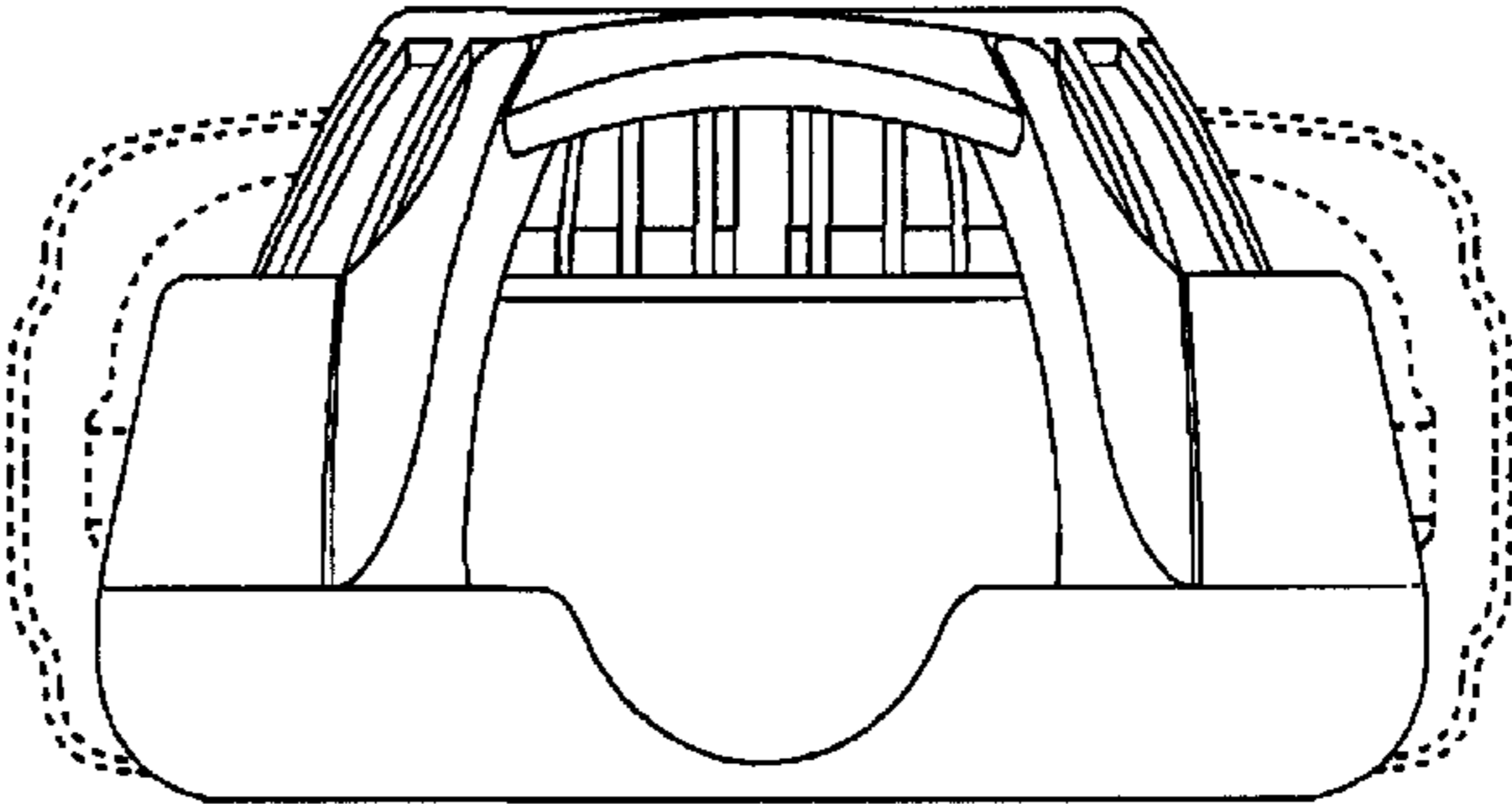


FIG. 5

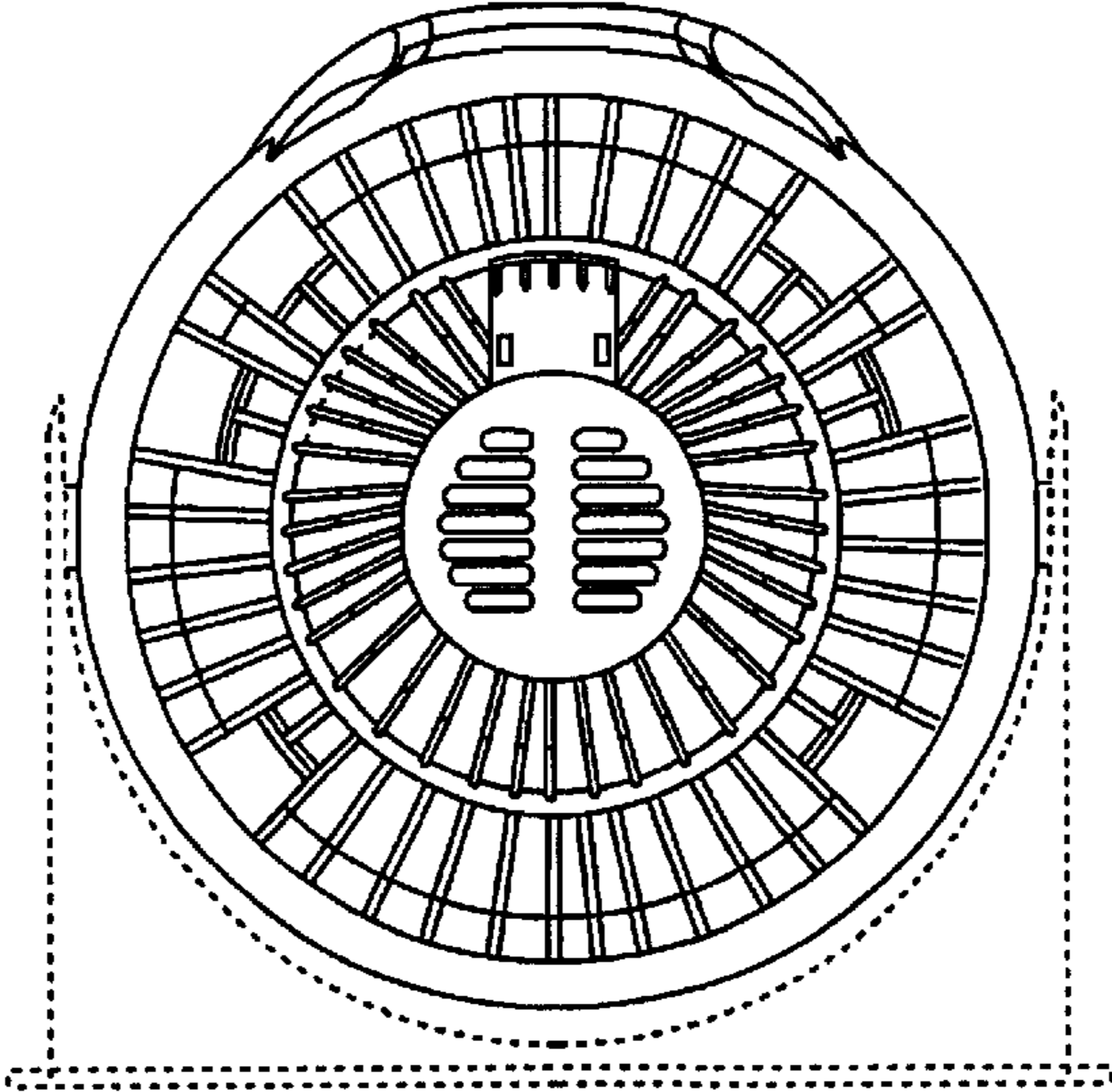


FIG. 6

