



US00D541917S

(12) **United States Design Patent**  
**Pfeiffer**

(10) **Patent No.:** **US D541,917 S**

(45) **Date of Patent:** **\*\* May 1, 2007**

(54) **AIR CONDITIONER UNIT FOR A VEHICLE**

6,339,934 B1 \* 1/2002 Yoon et al. .... 62/244  
6,718,787 B1 \* 4/2004 Hille et al. .... 62/279  
D495,041 S \* 8/2004 Thomas ..... D23/325

(75) Inventor: **Peter Pfeiffer**, Boeblingen (DE)

\* cited by examiner

(73) Assignee: **DaimlerChrysler AG**, Stuttgart (DE)

*Primary Examiner*—Louis S. Zarfes

(\*\*) Term: **14 Years**

*Assistant Examiner*—Anna K. Dworzecka

(21) Appl. No.: **29/225,840**

(74) *Attorney, Agent, or Firm*—Crowell & Moring LLP

(22) Filed: **Mar. 22, 2005**

(57) **CLAIM**

(30) **Foreign Application Priority Data**

The ornamental design for an air conditioner unit for a vehicle, as shown and described.

Sep. 22, 2004 (DE) ..... 40405378

**DESCRIPTION**

(51) **LOC (8) Cl.** ..... **12-16**

(52) **U.S. Cl.** ..... **D23/325**

(58) **Field of Classification Search** ..... D23/325,  
D23/373, 324; 62/239, 244, 61, 279  
See application file for complete search history.

FIG. 1 is a left, front perspective view of an air conditioner unit for a vehicle according to my novel design, the right, front perspective view being mirror symmetrical;

FIG. 2 is a left side view thereof, the right side view being mirror symmetrical;

FIG. 3 is a top view thereof;

FIG. 4 is a front view thereof;

FIG. 5 is a rear view thereof; and,

FIG. 6 is a left, front perspective view thereof, the right, front perspective view being mirror symmetrical. This figure shows the placement of the invention on the vehicle.

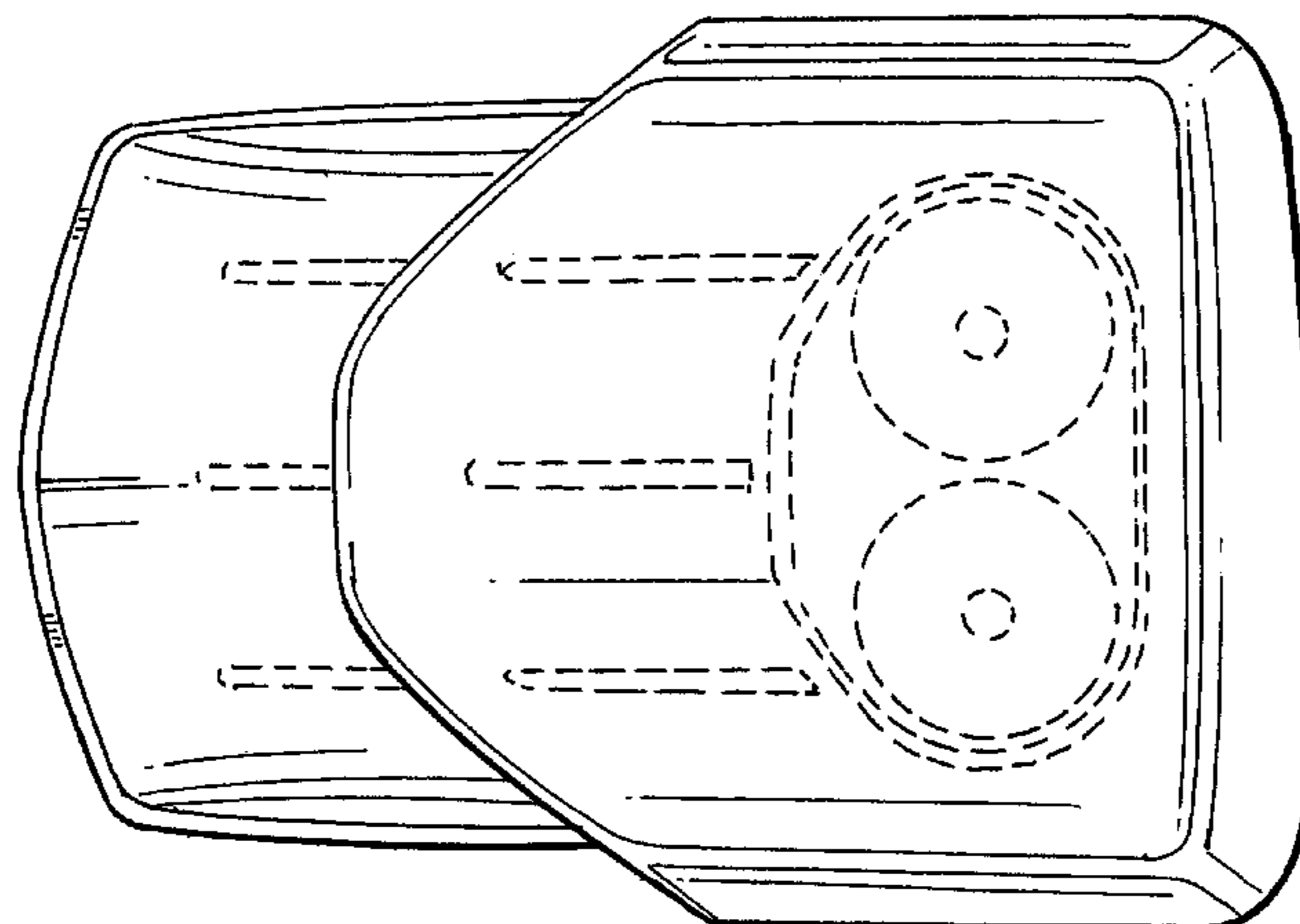
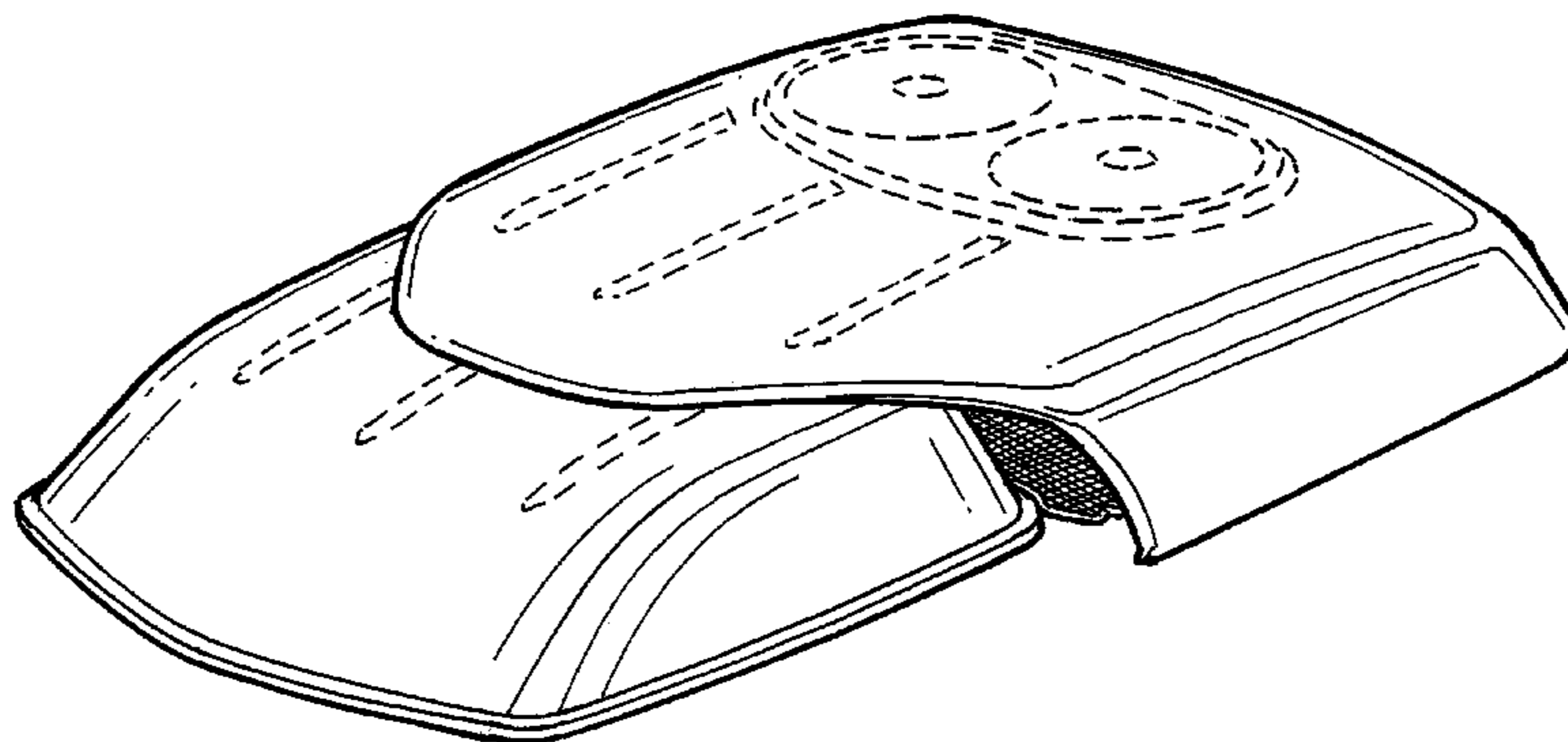
The broken lines are for illustrative purposes only and form no part of the claimed design.

(56) **References Cited**

**U.S. PATENT DOCUMENTS**

- D257,637 S \* 12/1980 Armbruster ..... D23/325
- D284,025 S \* 5/1986 Armstrong ..... D23/325
- 4,672,818 A \* 6/1987 Roth ..... 62/239
- 4,759,270 A \* 7/1988 Lindeen ..... 454/94
- D306,341 S \* 2/1990 Bales et al. .... D23/325
- D367,524 S \* 2/1996 Waldschmidt et al. .... D23/325
- 5,588,301 A \* 12/1996 Deroche, Sr. .... 62/61
- D435,639 S \* 12/2000 Slavonia et al. .... D23/325

**1 Claim, 3 Drawing Sheets**



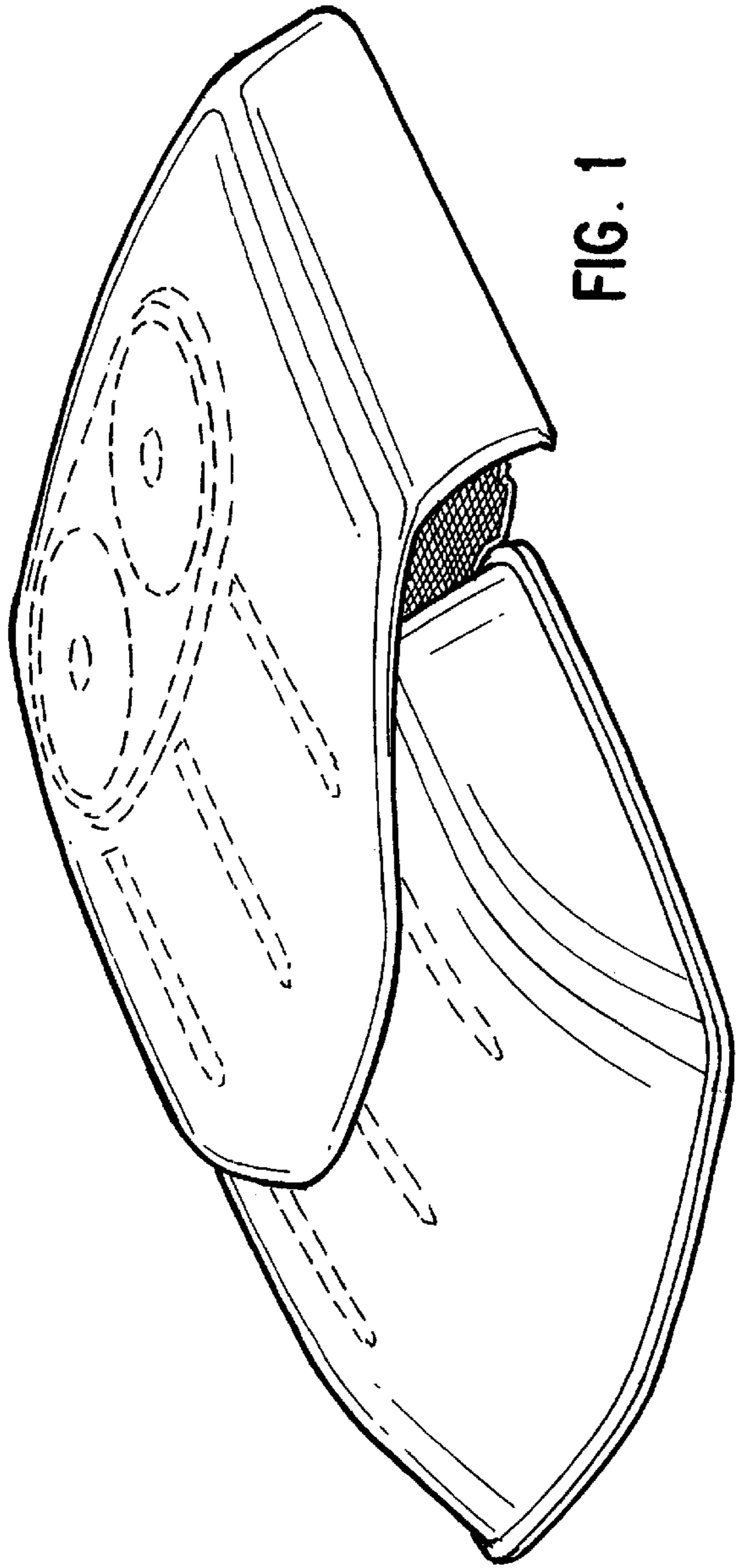


FIG. 1

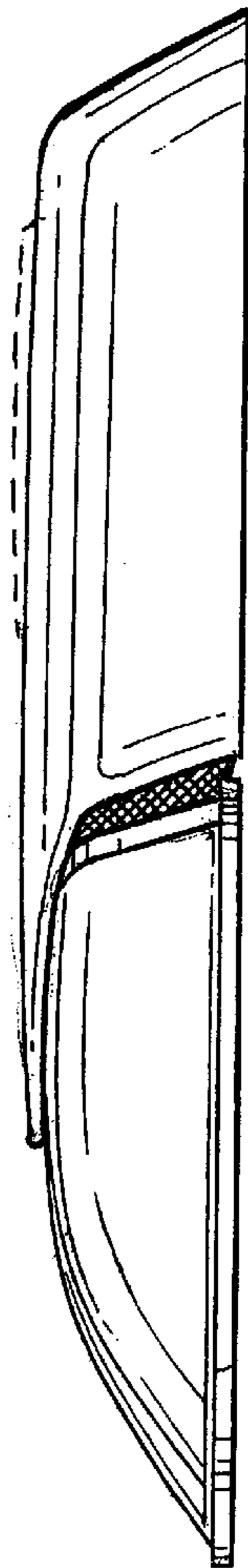


FIG. 2

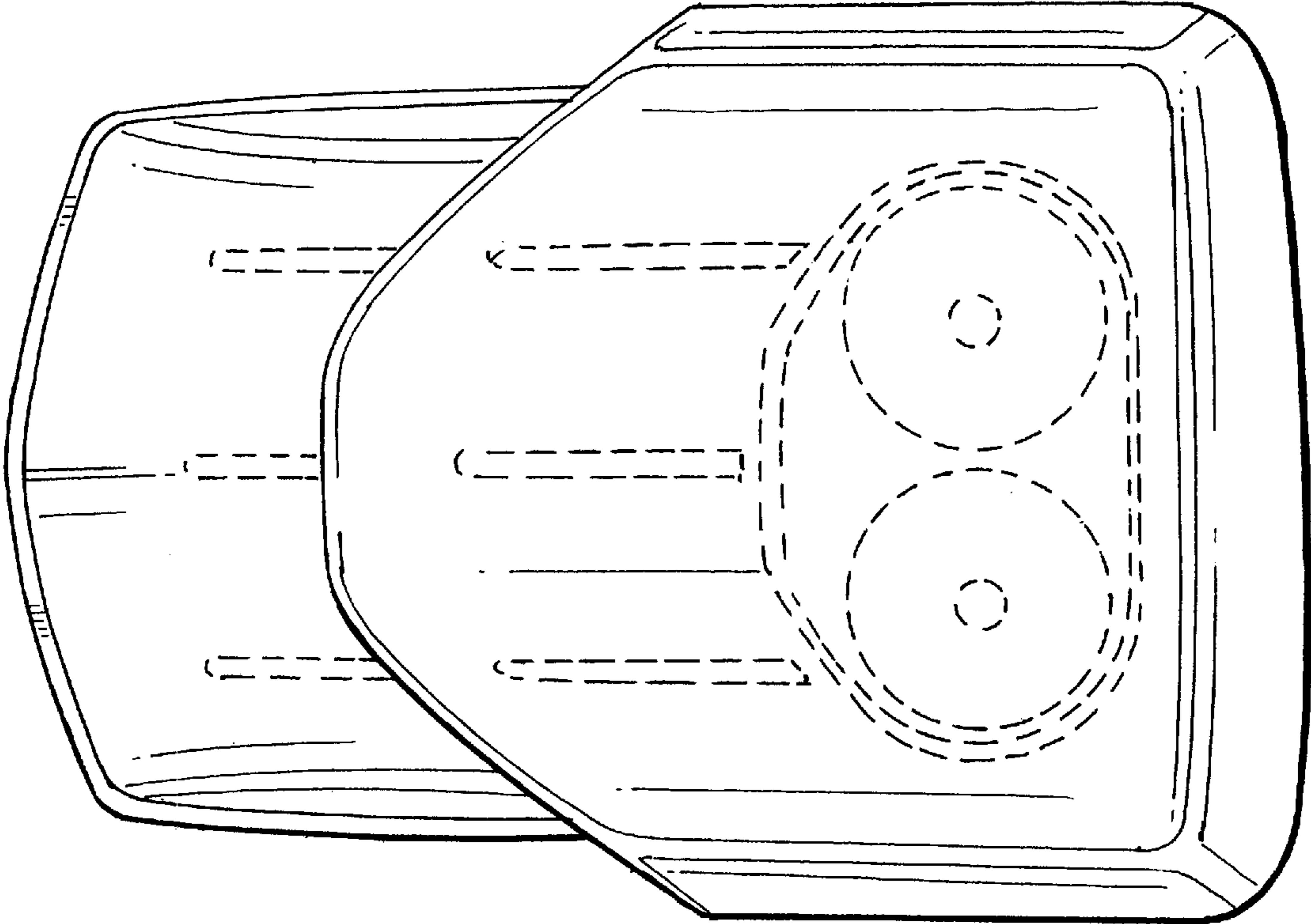


FIG. 3

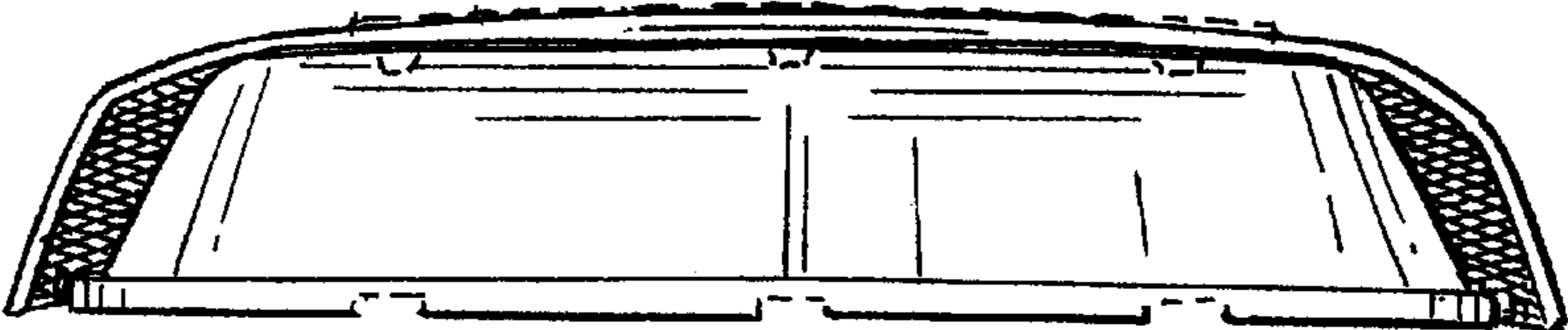


FIG. 4

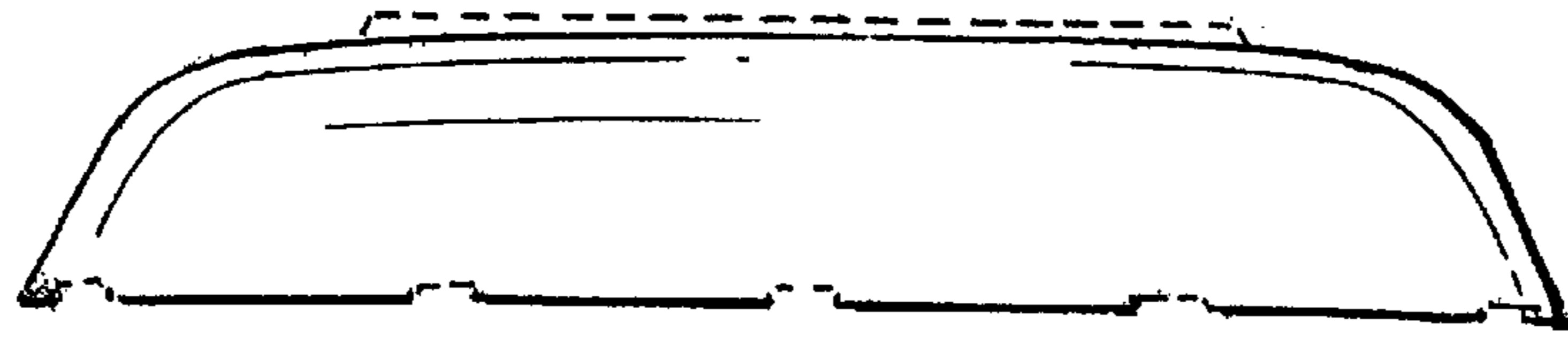


FIG. 5

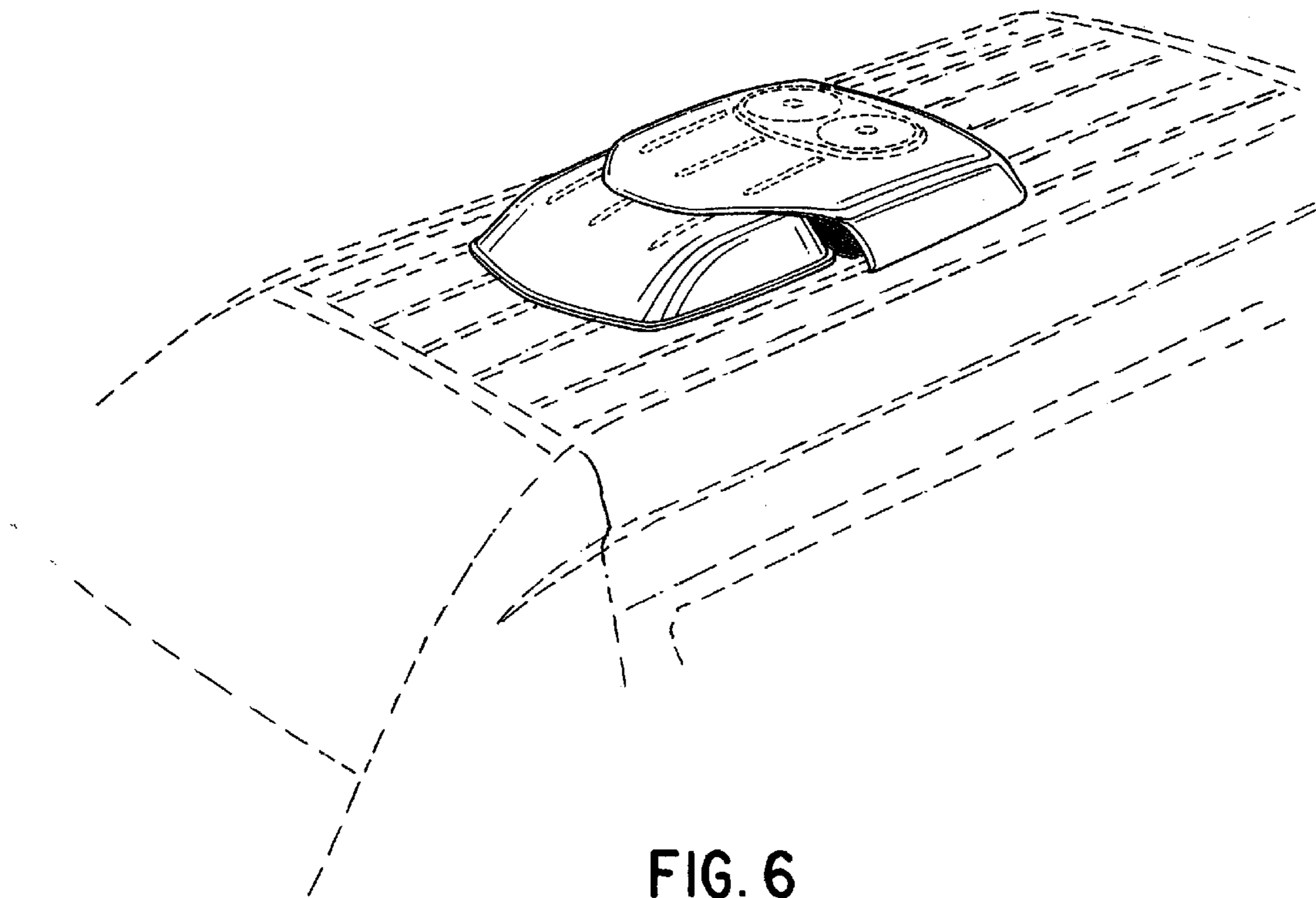


FIG. 6