



US00D541916S

(12) **United States Design Patent** (10) **Patent No.:** **US D541,916 S**
Noyer et al. (45) **Date of Patent:** **** May 1, 2007**

(54) **CORDLESS FORCED AIR HEATER**

(76) Inventors: **Robert W. Noyer**, 6062 CR 74, Carr,
CO (US) 80612; **Robert G. Noyer**,
4243 Harthollow Rd., Washington, VT
(US) 05625

(**) Term: **14 Years**

(21) Appl. No.: **29/247,932**

(22) Filed: **Jul. 20, 2006**

(51) **LOC (8) Cl.** **23-03**

(52) **U.S. Cl.** **D23/314**

(58) **Field of Classification Search** D23/314,
D23/335, 332, 326, 336, 386, 339, 328, 324,
D23/379; 431/354, 173, 252; 432/222, 62;
126/110 C, 110 B; 392/488, 383, 374; 165/122
See application file for complete search history.

(56) **References Cited**

U.S. PATENT DOCUMENTS

- D318,106 S * 7/1991 Arold et al. D23/314
- D318,326 S * 7/1991 Arold et al. D23/314
- D421,296 S * 2/2000 Kemp D23/314

* cited by examiner

Primary Examiner—Louis S. Zarfes

Assistant Examiner—Anna Dworzecka

(74) *Attorney, Agent, or Firm*—Cochran Freund & Young
LLC; Samuel M. Freund

(57) **CLAIM**

The ornamental design for a cordless forced air heater, as
shown and described.

DESCRIPTION

FIG. 1 is an isometric view of a cordless forced air heater
showing my new design.

FIG. 2 is a front plan view thereof.

FIG. 3 is a top plan view thereof.

FIG. 4 is a left side plan view thereof.

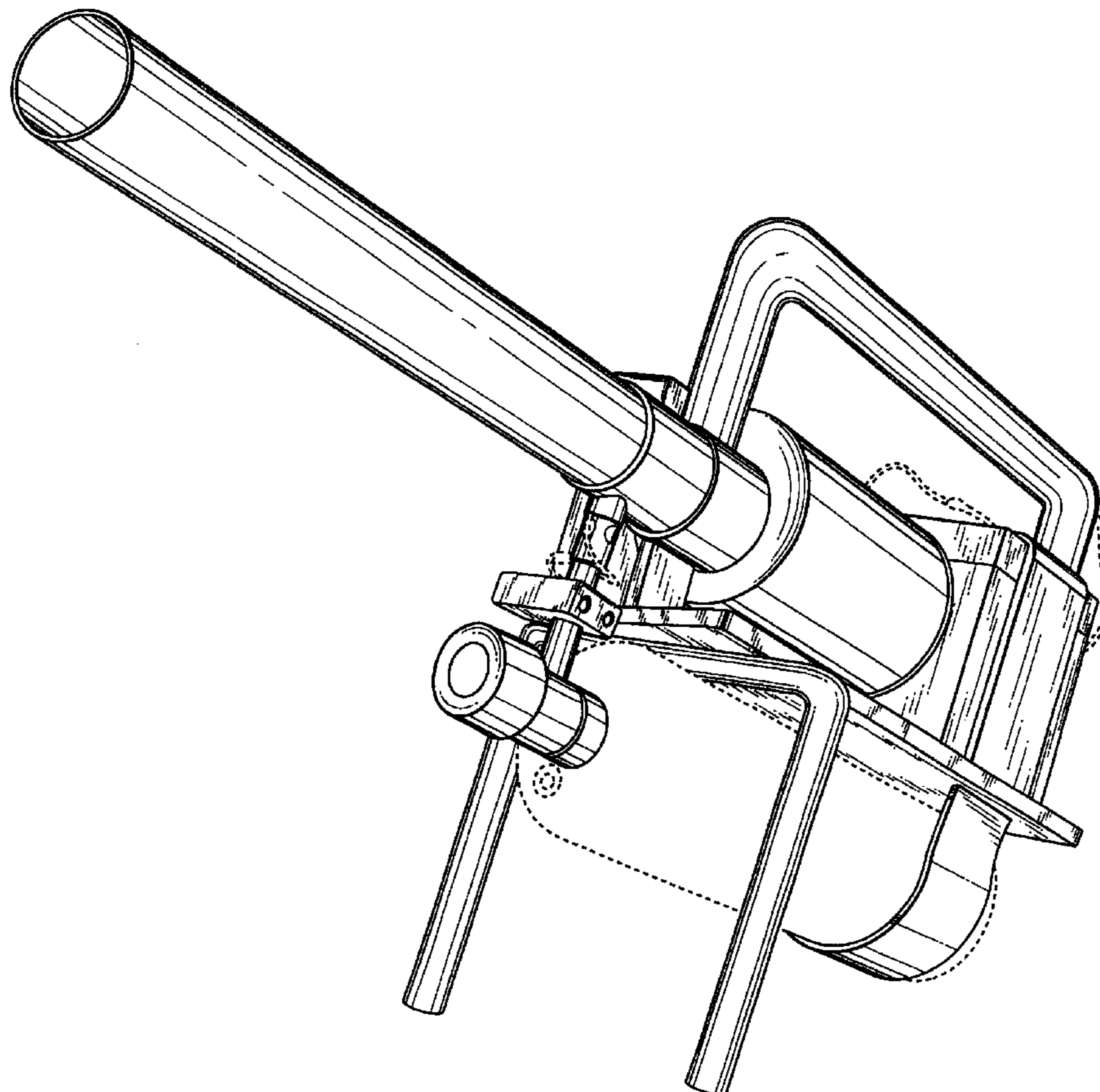
FIG. 5 is a right side plan view thereof.

FIG. 6 is a rear plan view thereof; and,

FIG. 7 is a bottom plan view thereof.

The broken lines immediately adjacent to the shaded areas
represent the boundaries of the claimed design and form no
part thereof, while the other broken lines show environment
and form no part of the claimed design.

1 Claim, 7 Drawing Sheets



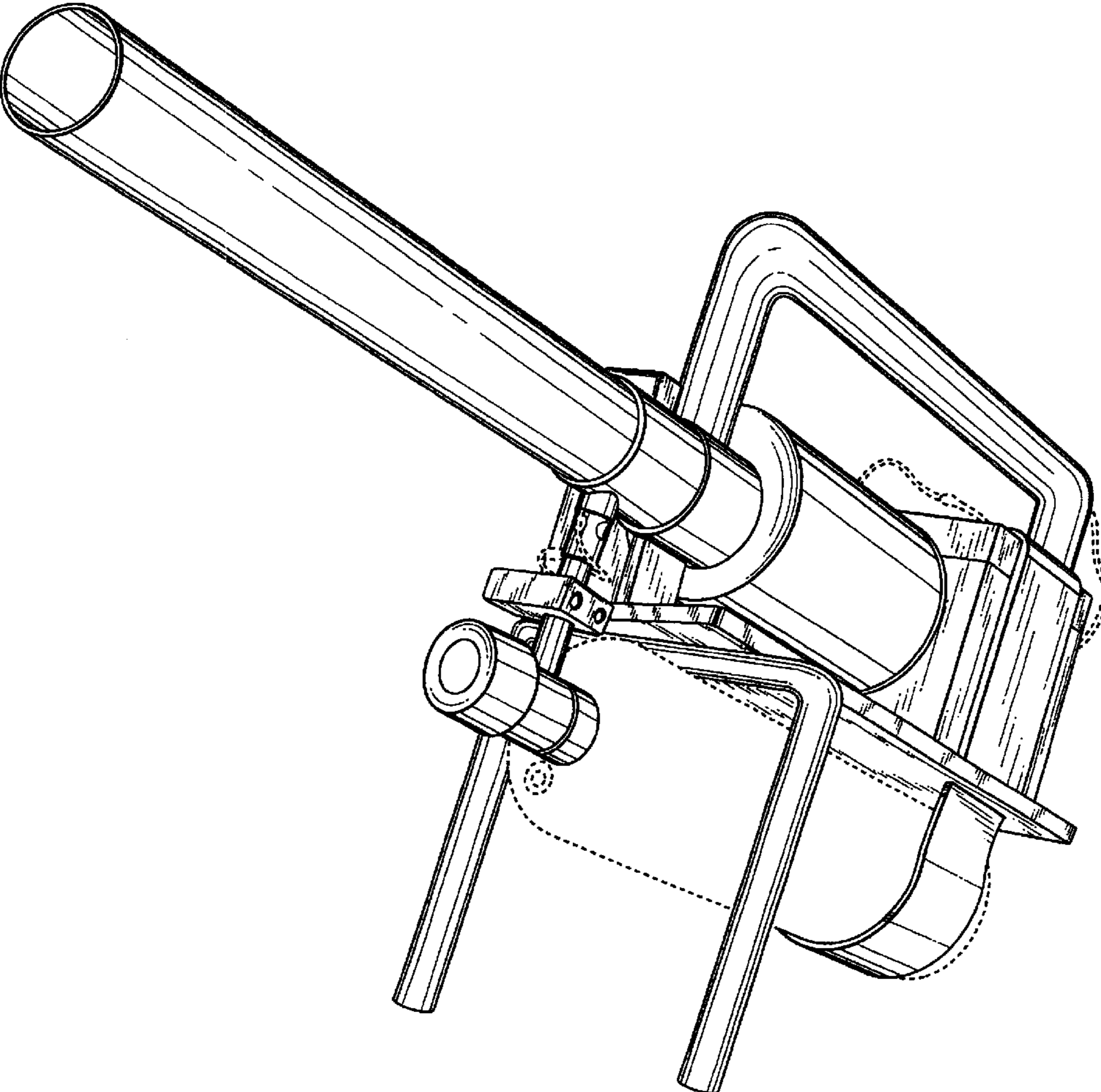


FIG. 1

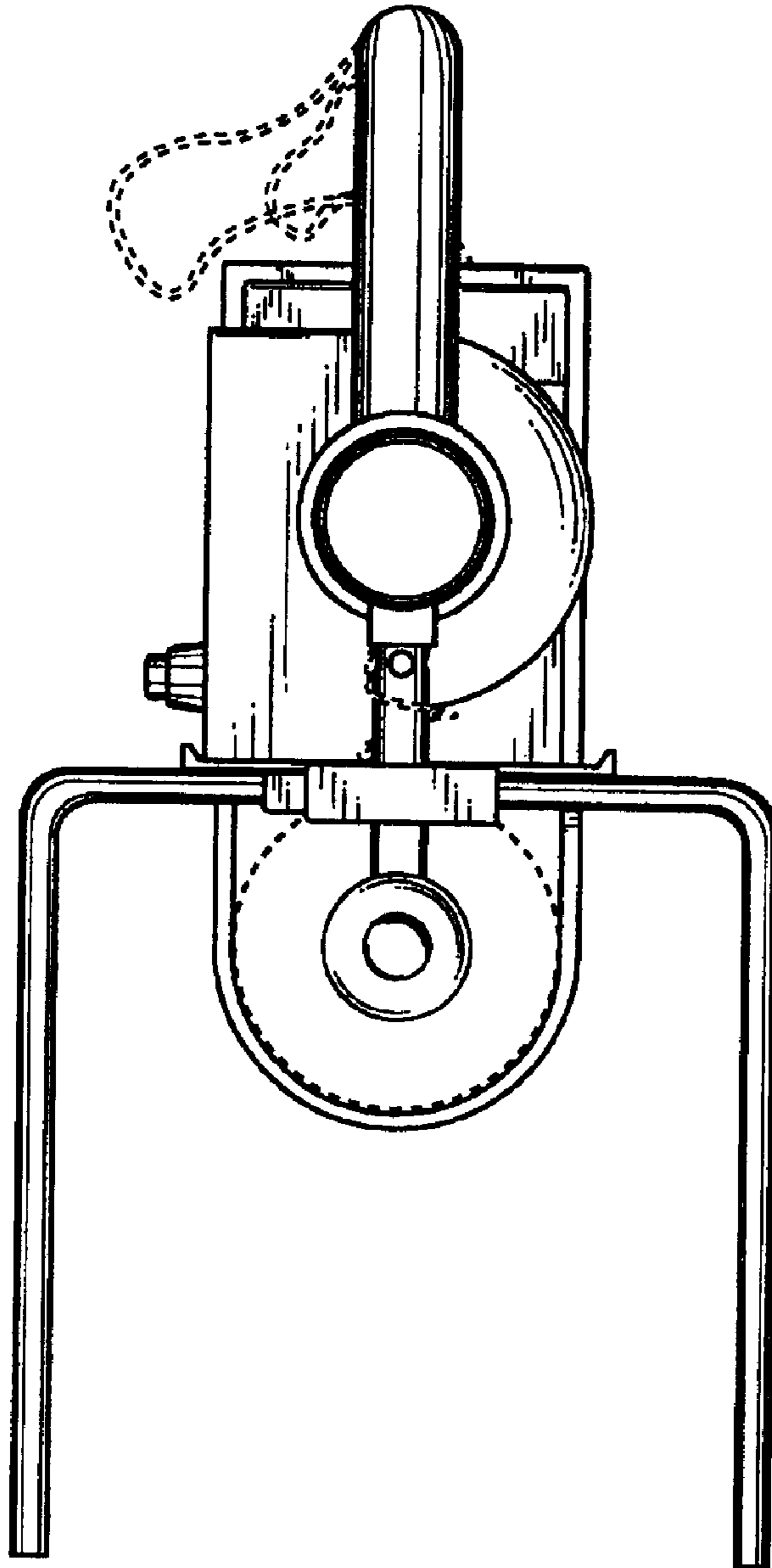


FIG. 2

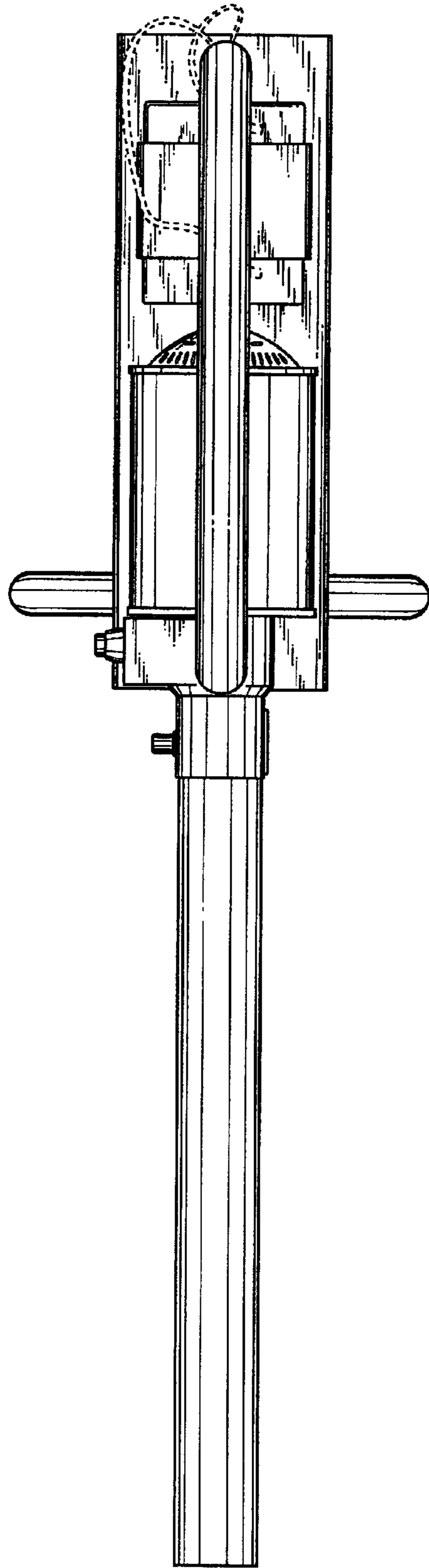


FIG. 3

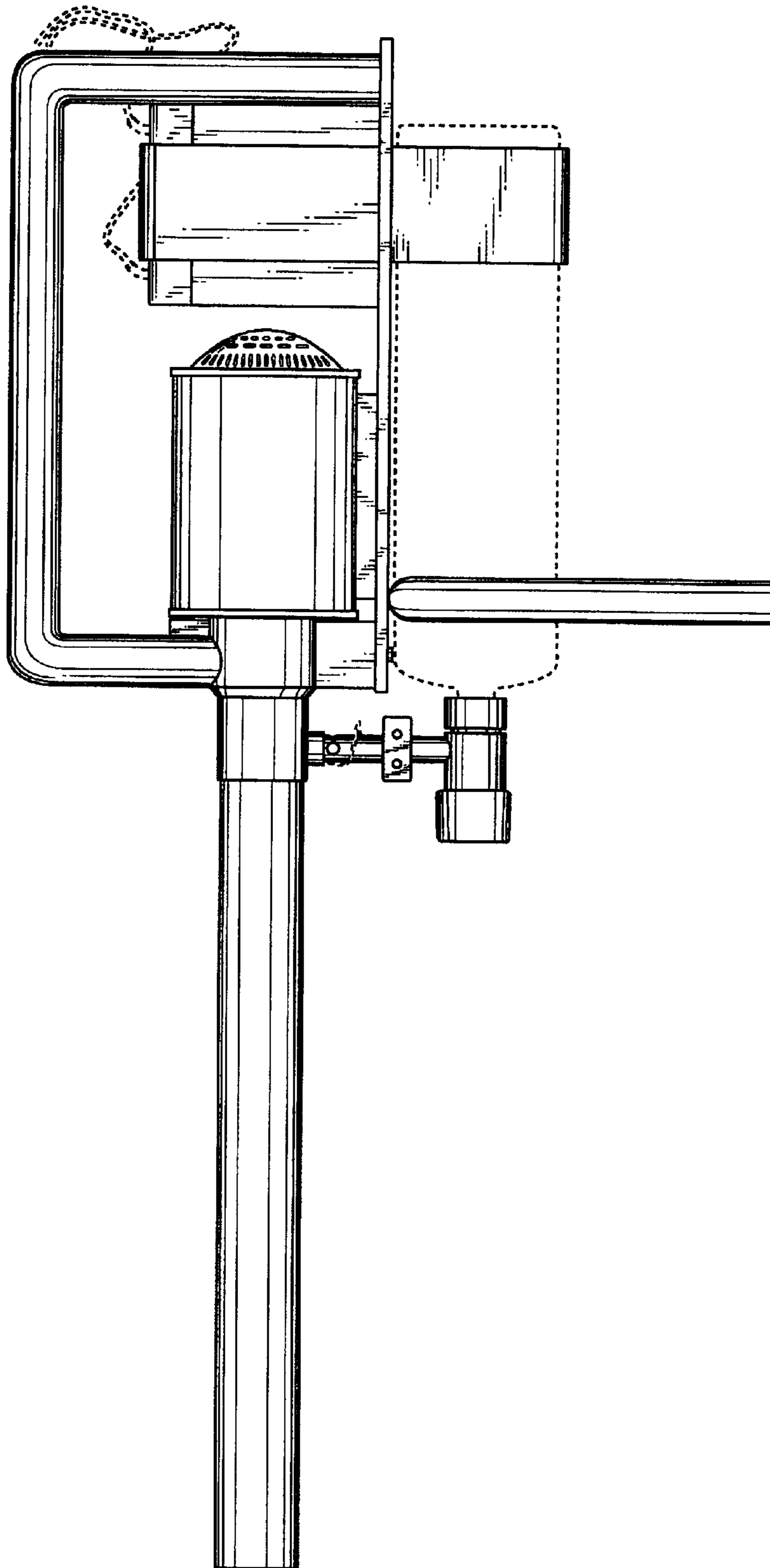


FIG. 4

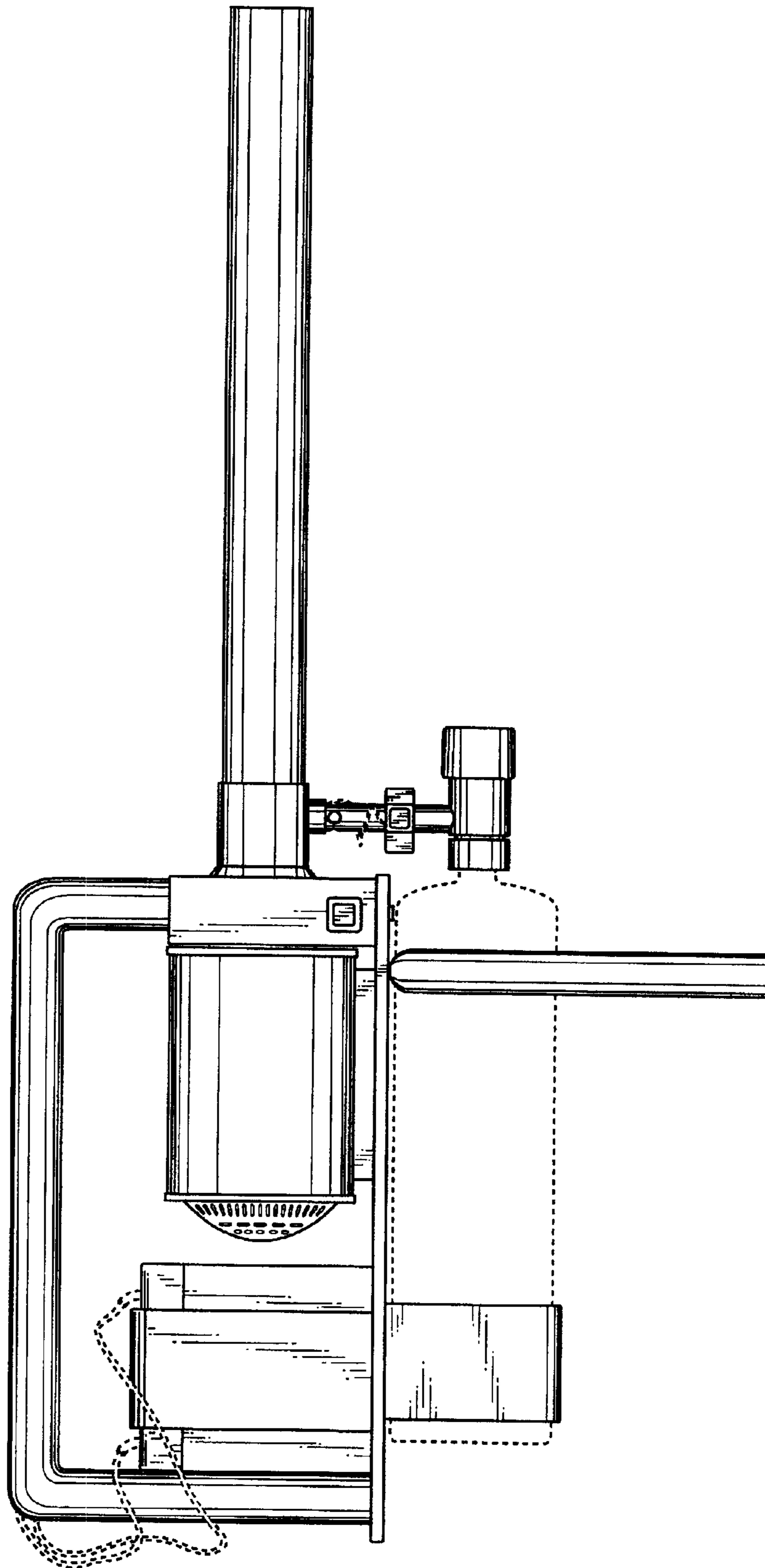


FIG. 5

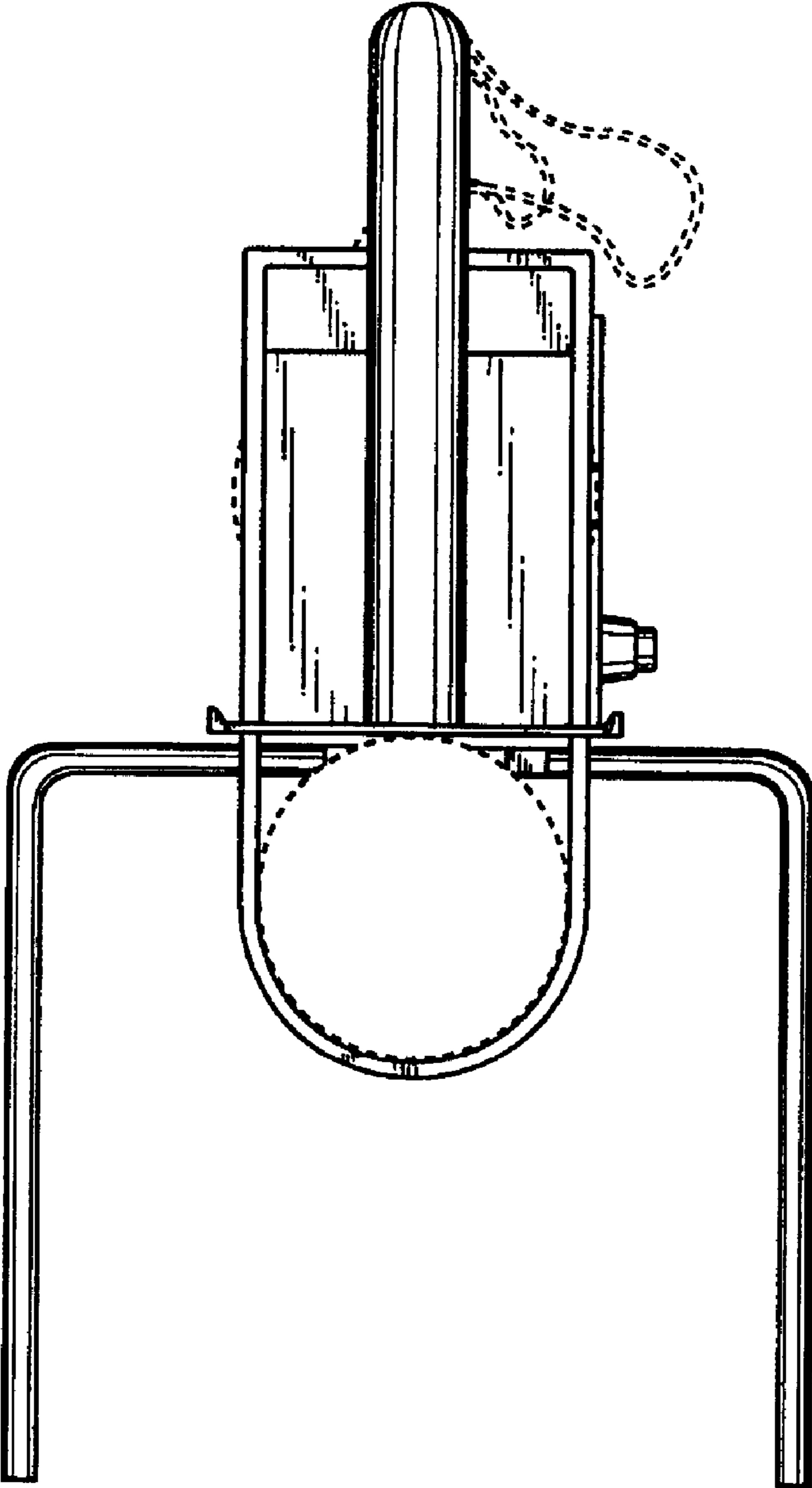


FIG. 6

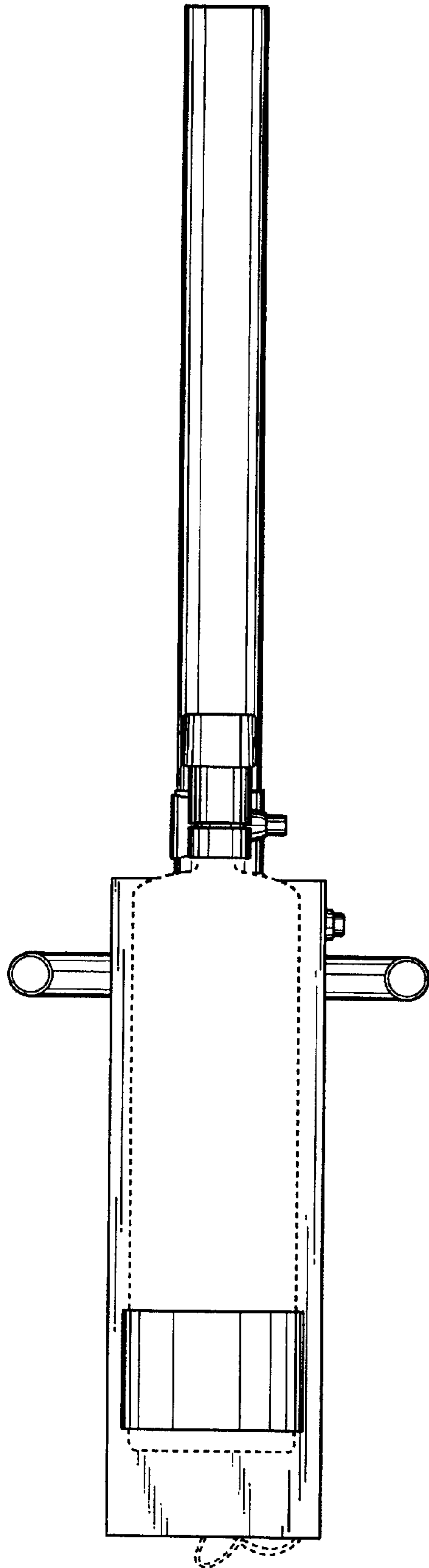


FIG. 7