

US00D541914S

(12) **United States Design Patent**  
**Kennard**

(10) **Patent No.:** **US D541,914 S**

(45) **Date of Patent:** **\*\* May 1, 2007**

(54) **TANK HANDLE**

(75) Inventor: **Dan Kennard**, Norcross, GA (US)

(73) Assignee: **Fusion Hardware Group, Inc.**,  
Norcross, GA (US)

(\*\*) Term: **14 Years**

(21) Appl. No.: **29/246,520**

(22) Filed: **Apr. 21, 2006**

(51) **LOC (8) Cl.** ..... **23-02**

(52) **U.S. Cl.** ..... **D23/309**

(58) **Field of Classification Search** ..... D23/303,  
D23/309, 250; D6/546, 550; 4/246.3, 661;  
D8/313-314

See application file for complete search history.

(56) **References Cited**

**U.S. PATENT DOCUMENTS**

D391,342 S \* 2/1998 Donahue et al. .... D23/250

D433,104 S \* 10/2000 Spangler ..... D23/250

D441,056 S \* 4/2001 Warshawsky et al. .... D23/250

\* cited by examiner

*Primary Examiner*—Robert A. Delehanty

(74) *Attorney, Agent, or Firm*—Leong C. Lei

(57) **CLAIM**

The ornamental design for a tank handle, as shown and described.

**DESCRIPTION**

FIG. 1 is a perspective view of a tank handle showing my new design;

FIG. 2 is a front elevational view thereof;

FIG. 3 is a left side elevational view thereof;

FIG. 4 is a right side elevational view thereof;

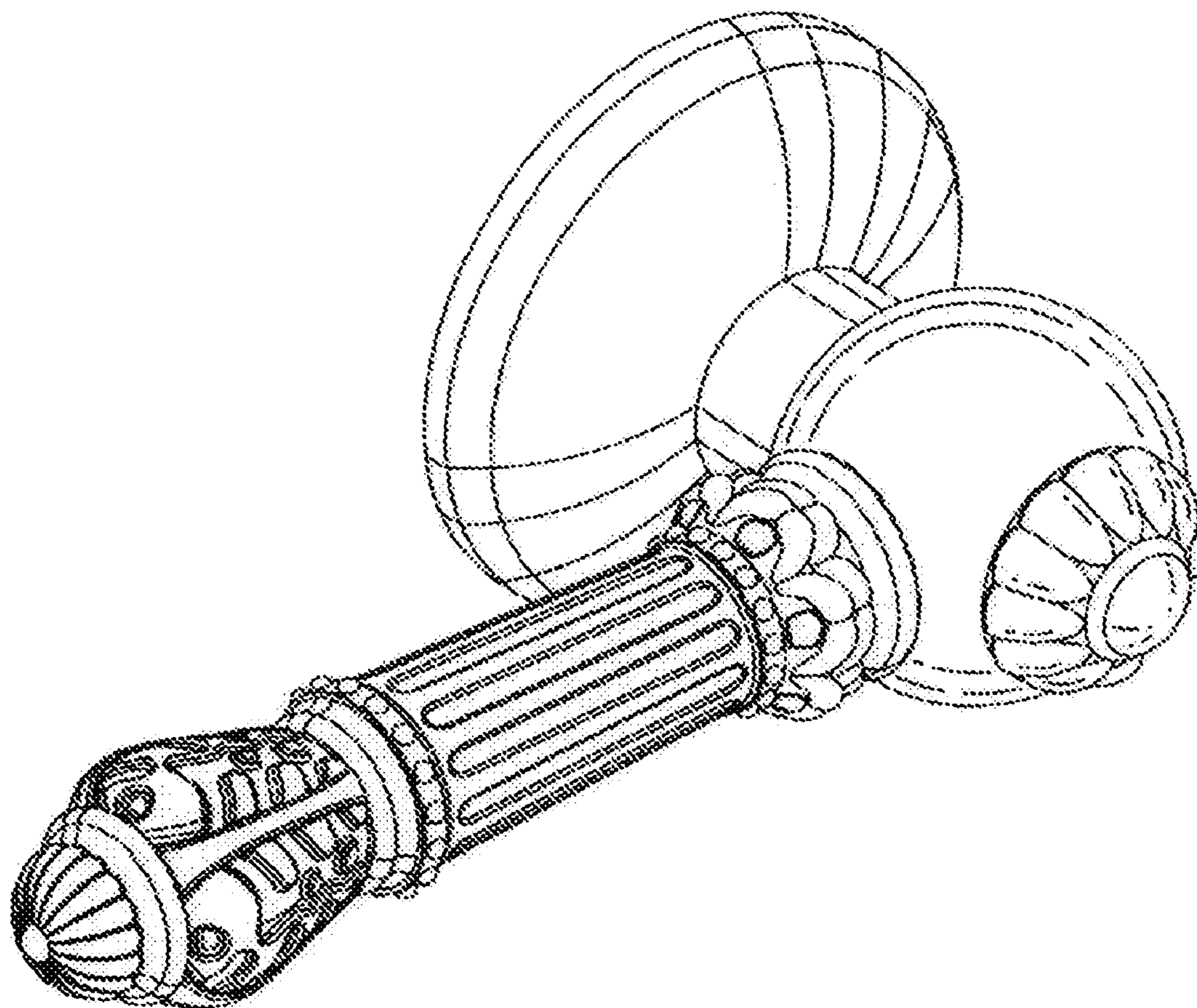
FIG. 5 is a top plan view thereof;

FIG. 6 is a bottom plan view thereof; and,

FIG. 7 is another perspective view thereof, with a linking rod of a water tank engaged.

The dotted line showing of the linking rod of a water tank is for illustrative purposes only and forms no part of the claimed design.

**1 Claim, 5 Drawing Sheets**



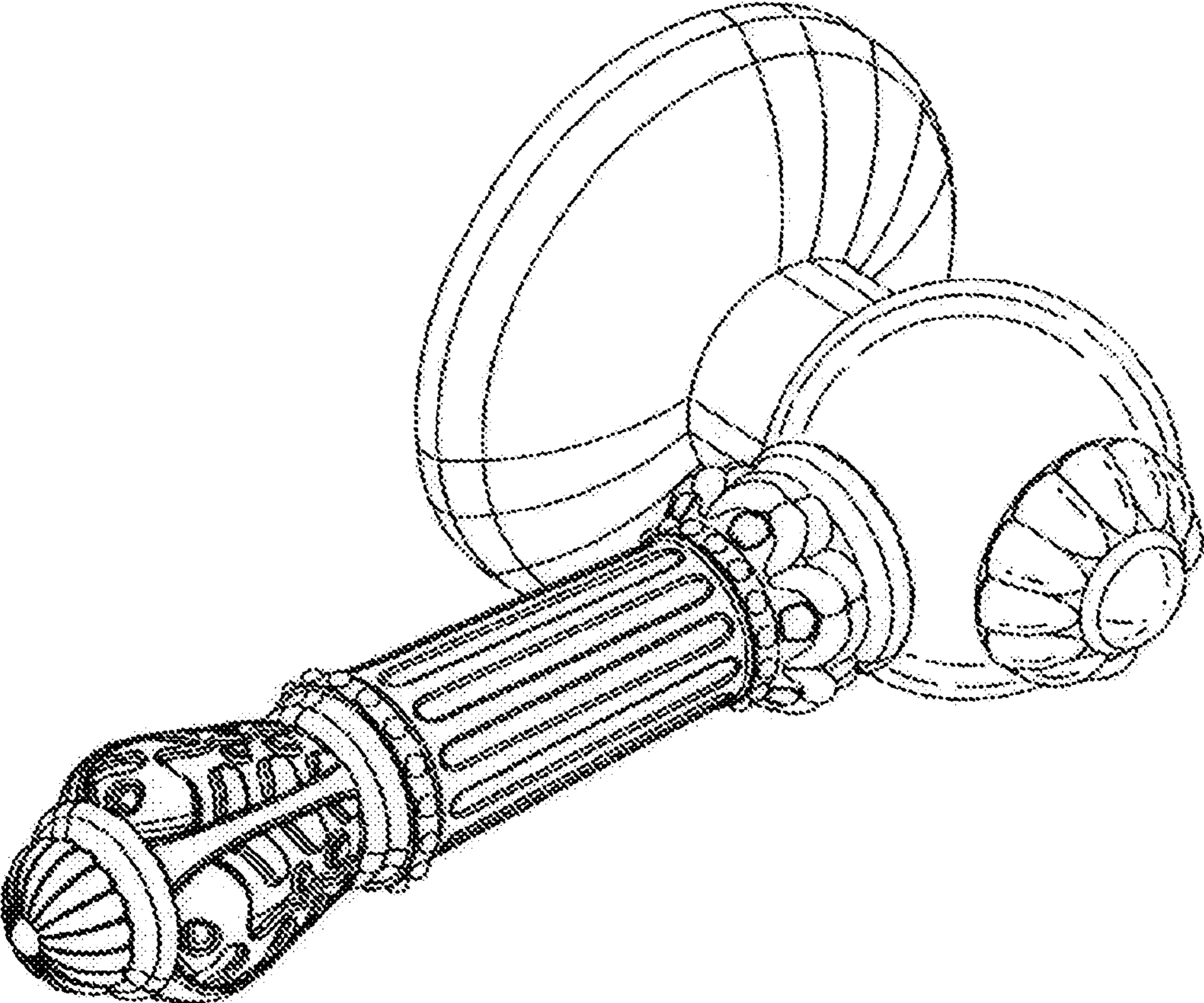


FIG. 1

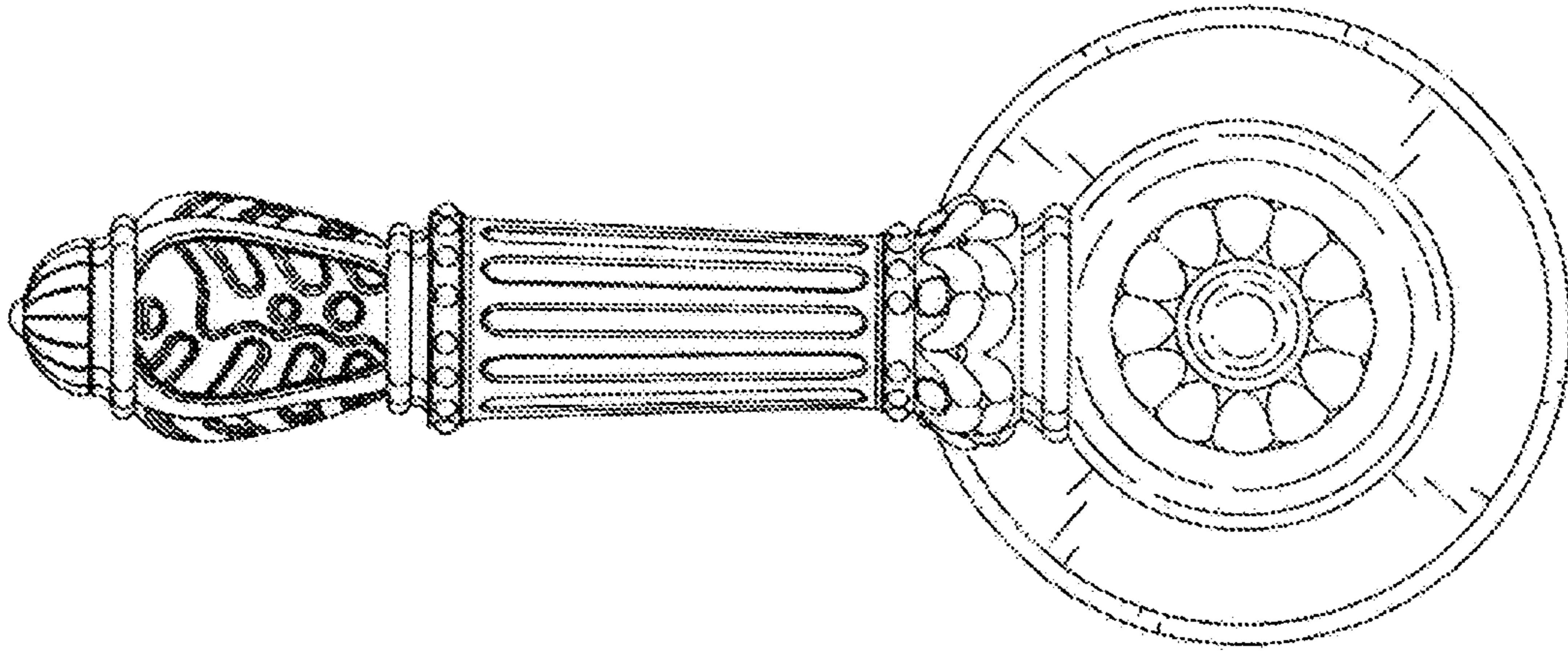


FIG. 2

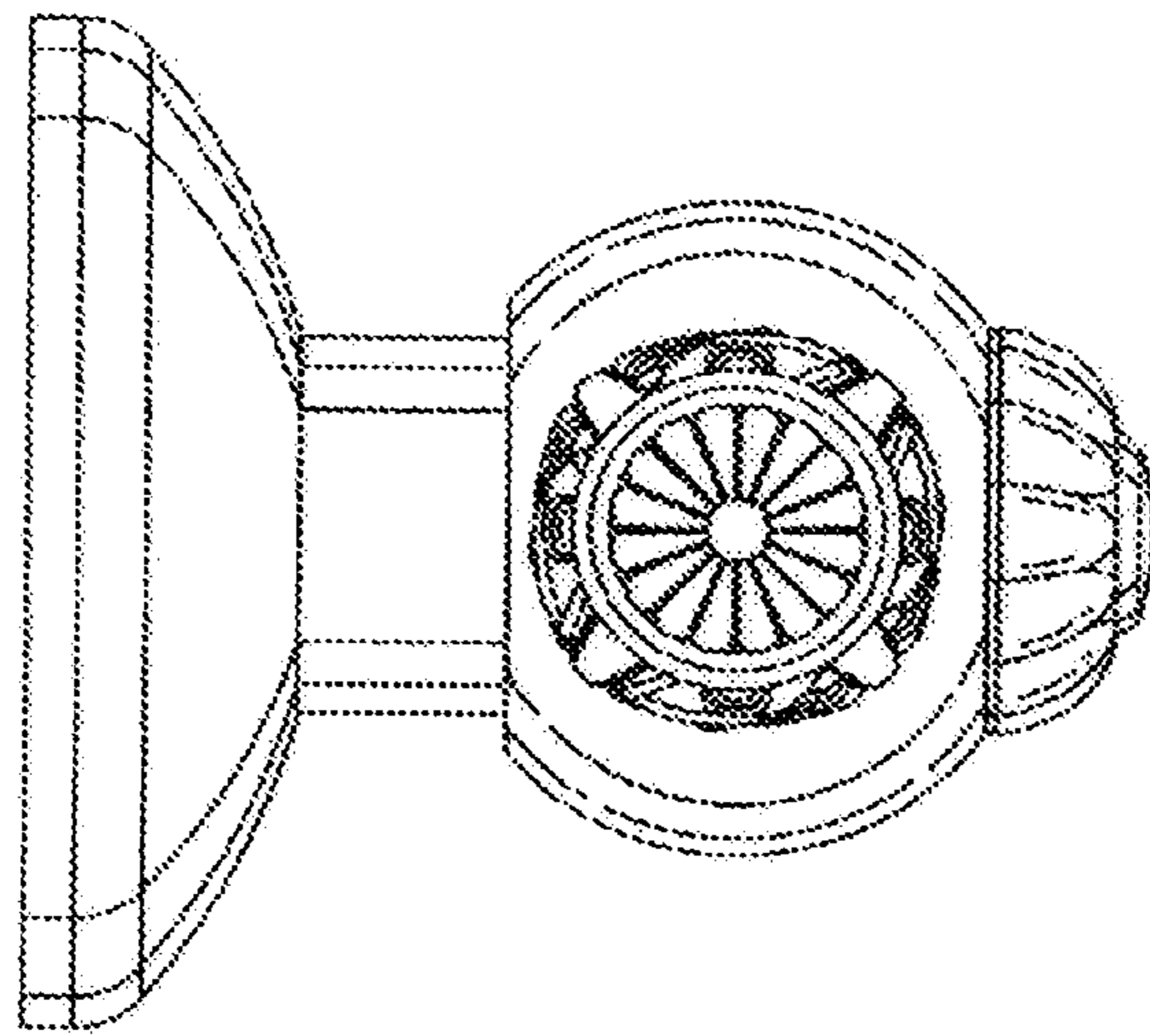


FIG. 3

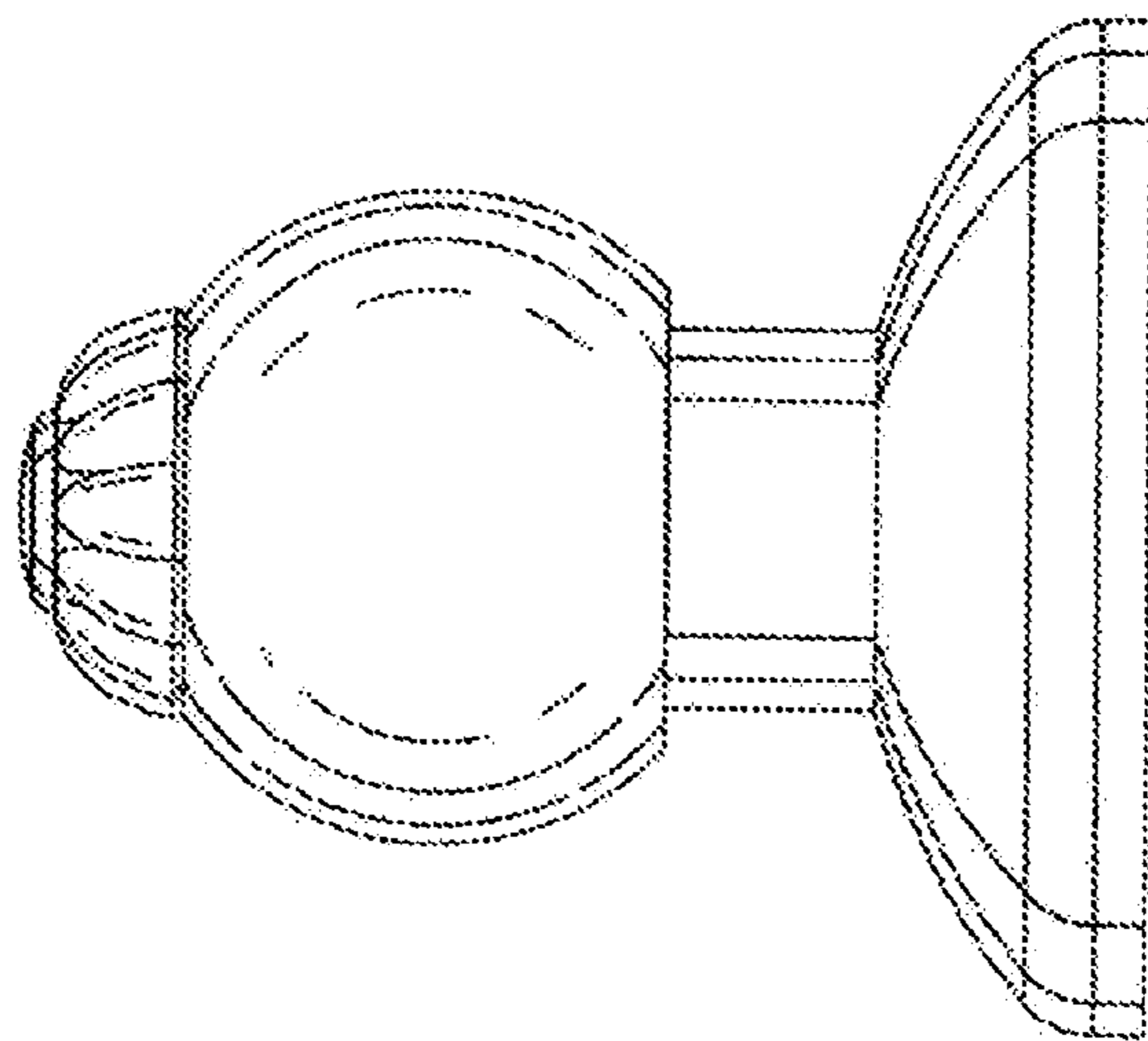


FIG. 4

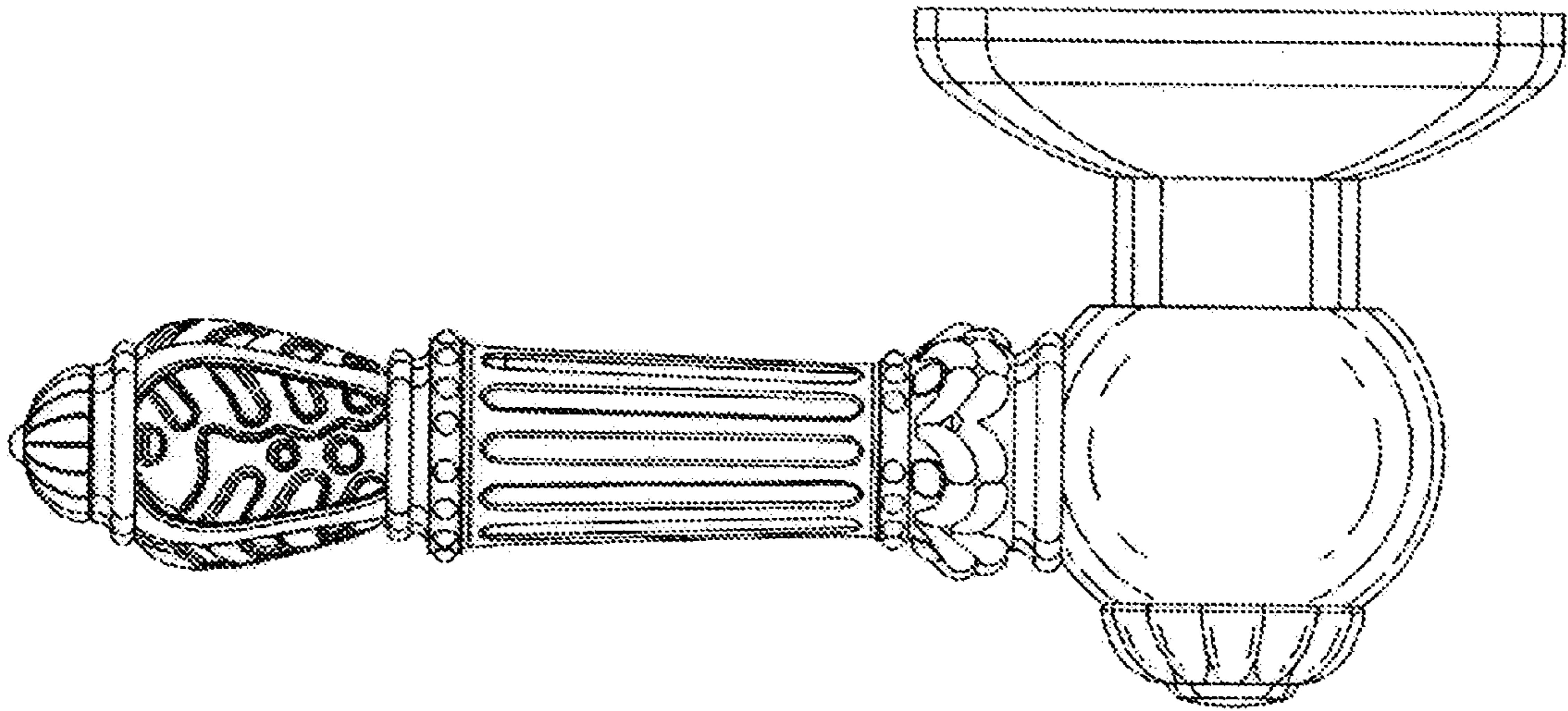


FIG. 5

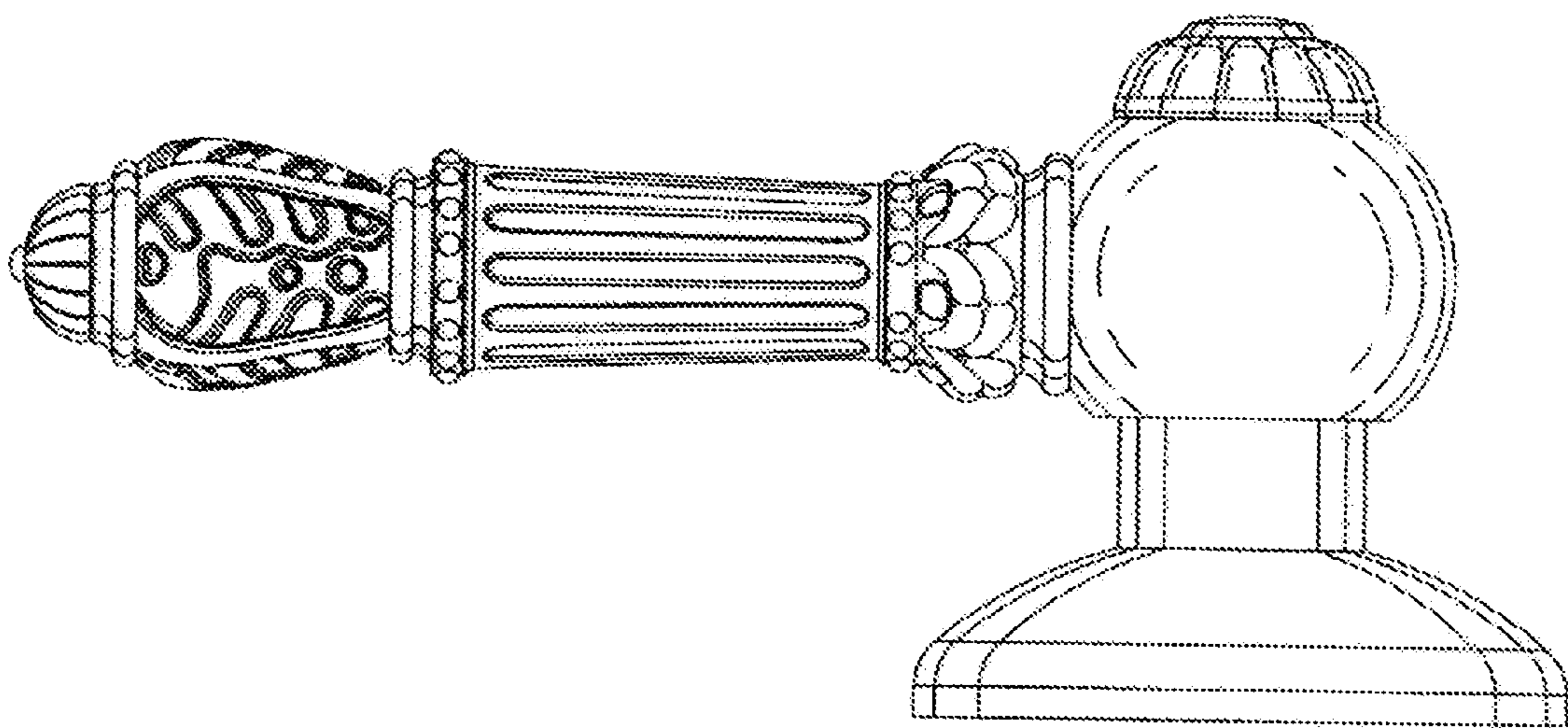


FIG. 6

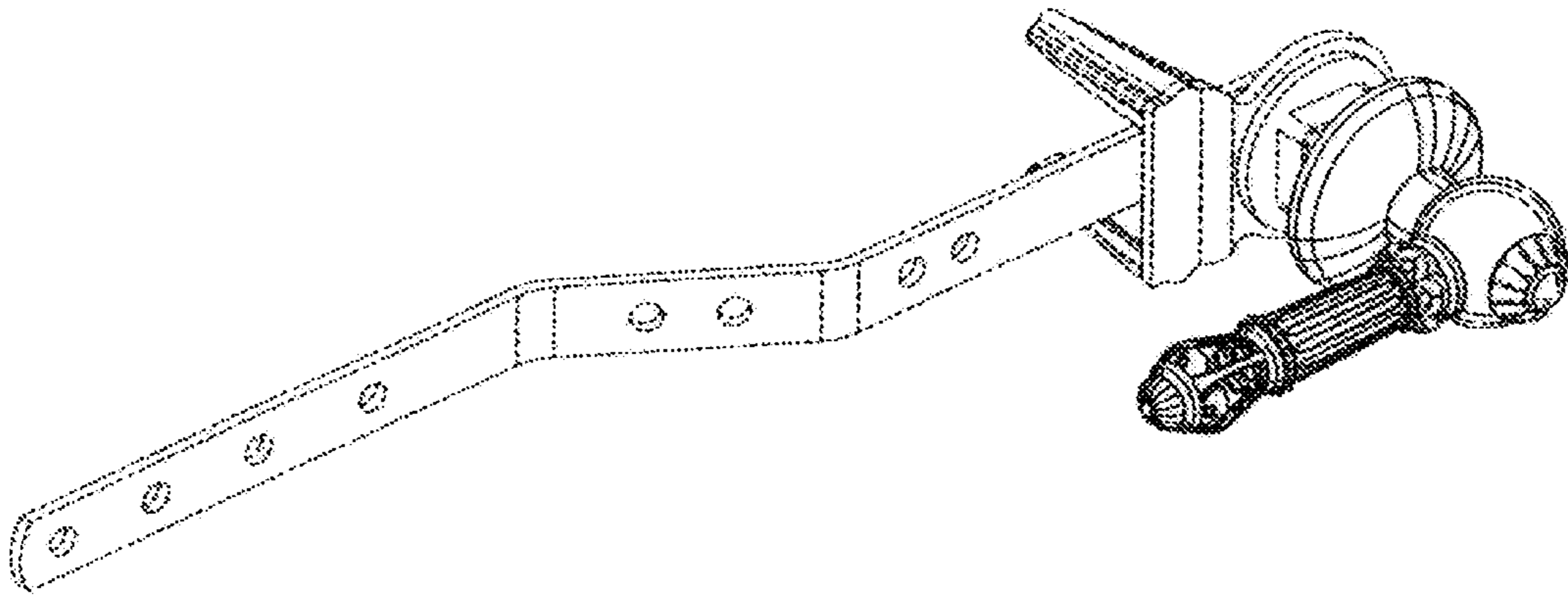


FIG. 7