



US00D541913S

(12) **United States Design Patent** (10) **Patent No.:** **US D541,913 S**  
**Piatt** (45) **Date of Patent:** **\*\* May 1, 2007**

(54) **SHOWER BASE**

(75) Inventor: **James M. Piatt**, Sheboygan, WI (US)

(73) Assignee: **Kohler Co.**, Kohler, WI (US)

(\*\*) Term: **14 Years**

(21) Appl. No.: **29/251,684**

(22) Filed: **Jan. 11, 2006**

(51) **LOC (8) Cl.** ..... **23-02**

(52) **U.S. Cl.** ..... **D23/304**

(58) **Field of Classification Search** ..... D23/283,  
D23/303-305; 4/552, 596-604, 612-614,  
4/900, DIG. 15

See application file for complete search history.

(56) **References Cited**

**U.S. PATENT DOCUMENTS**

D255,829 S *	7/1980	Swenson	.....	D23/283
5,168,586 A *	12/1992	Small	.....	4/605
D351,019 S *	9/1994	Moore et al.	.....	D23/283
D496,095 S *	9/2004	Rooke et al.	.....	D23/304
D523,124 S *	6/2006	Lebrun et al.	.....	D23/283
2005/0081290 A1 *	4/2005	Stimpson	.....	4/613

**OTHER PUBLICATIONS**

Kohler Co., Acrylic Shower Receptors, The Bold Look of Kohler catalog, copyright 2004, pp. 7.33, 7.34, and 7.35, Kohler, Wisconsin.

Mira Showers, Mira Flight Rectangle Shower Tray.

\* cited by examiner

*Primary Examiner*—Robert A. Delehanty

(74) *Attorney, Agent, or Firm*—Quarles & Brady LLP

(57) **CLAIM**

The ornamental design for a shower base, as shown and described.

**DESCRIPTION**

In a preferred embodiment, the nature of this product is as a shower receptor for a shower plumbing fixture.

FIG. 1 is a top, right, front perspective view of a shower receptor of my new design;

FIG. 2 is a top plan view thereof;

FIG. 3 is a front elevational view thereof;

FIG. 4 is a right side elevational view thereof;

FIG. 5 is a left side elevational view thereof;

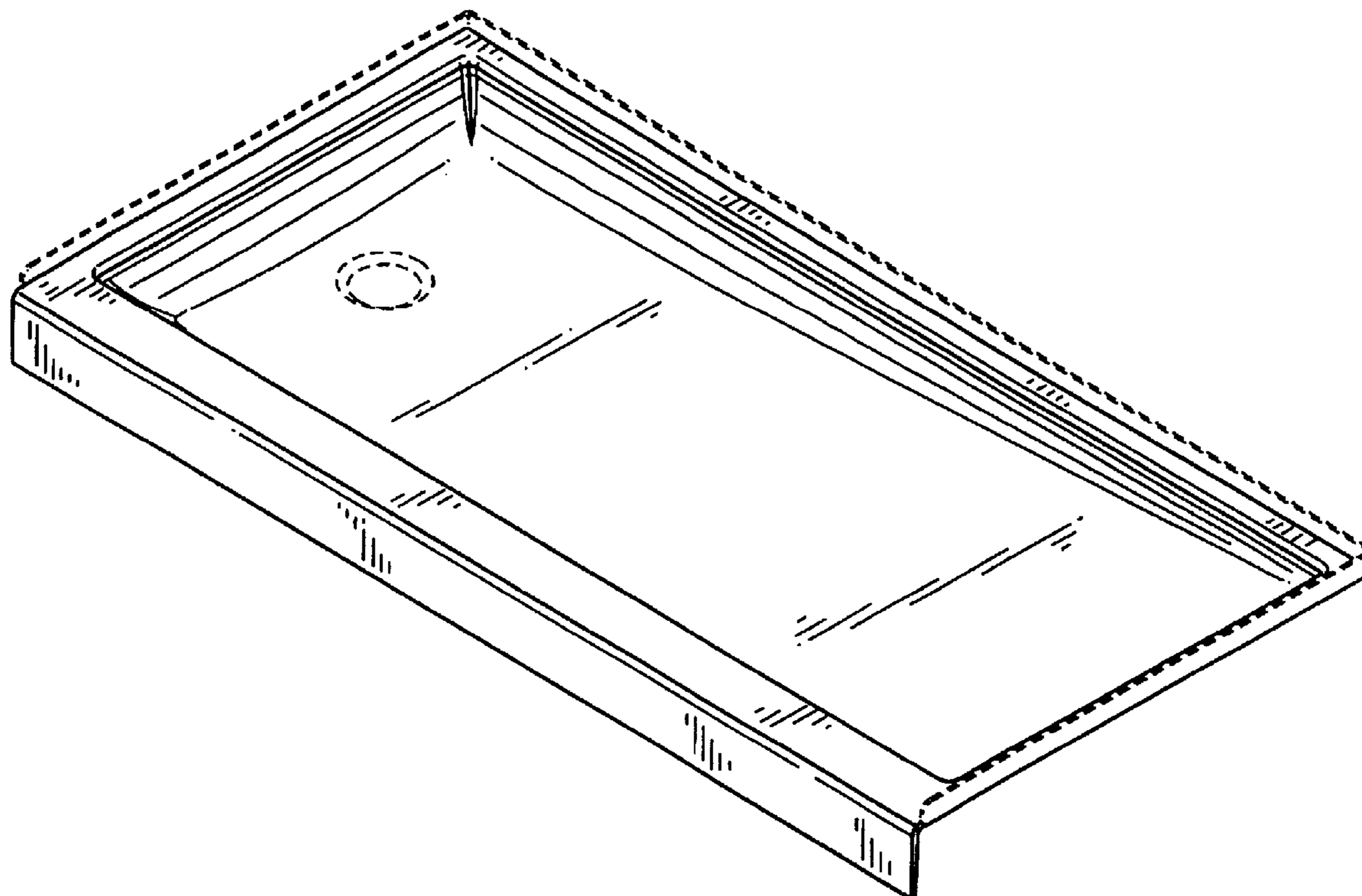
FIG. 6 is a rear elevational view thereof;

FIG. 7 is a bottom plan view thereof; and,

FIG. 8 is a top, left front perspective view of another embodiment of my new design, the front elevational view being identical to FIG. 3, the top plan, left side elevational, right side elevational, rear elevational, and bottom plan views being mirror images of FIGS. 2, 4, 5, 6 and 7, respectively.

The broken line representations of a drain in FIGS. 1-2 and 4-8 and flange structure in FIGS. 1-6 and 8 are for the purpose of illustration only, and form no part of the claimed design.

**1 Claim, 4 Drawing Sheets**



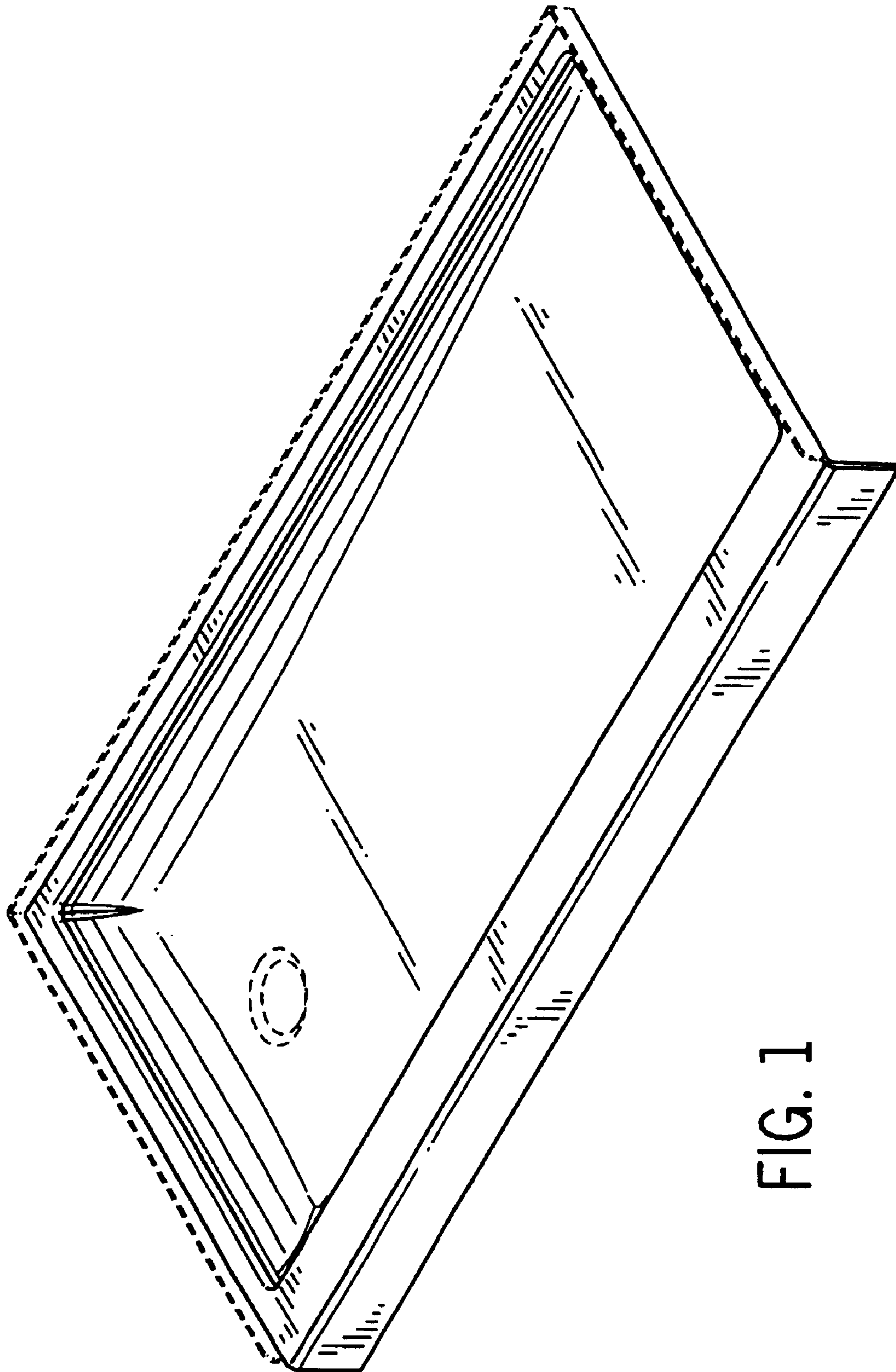


FIG. 1

FIG. 2

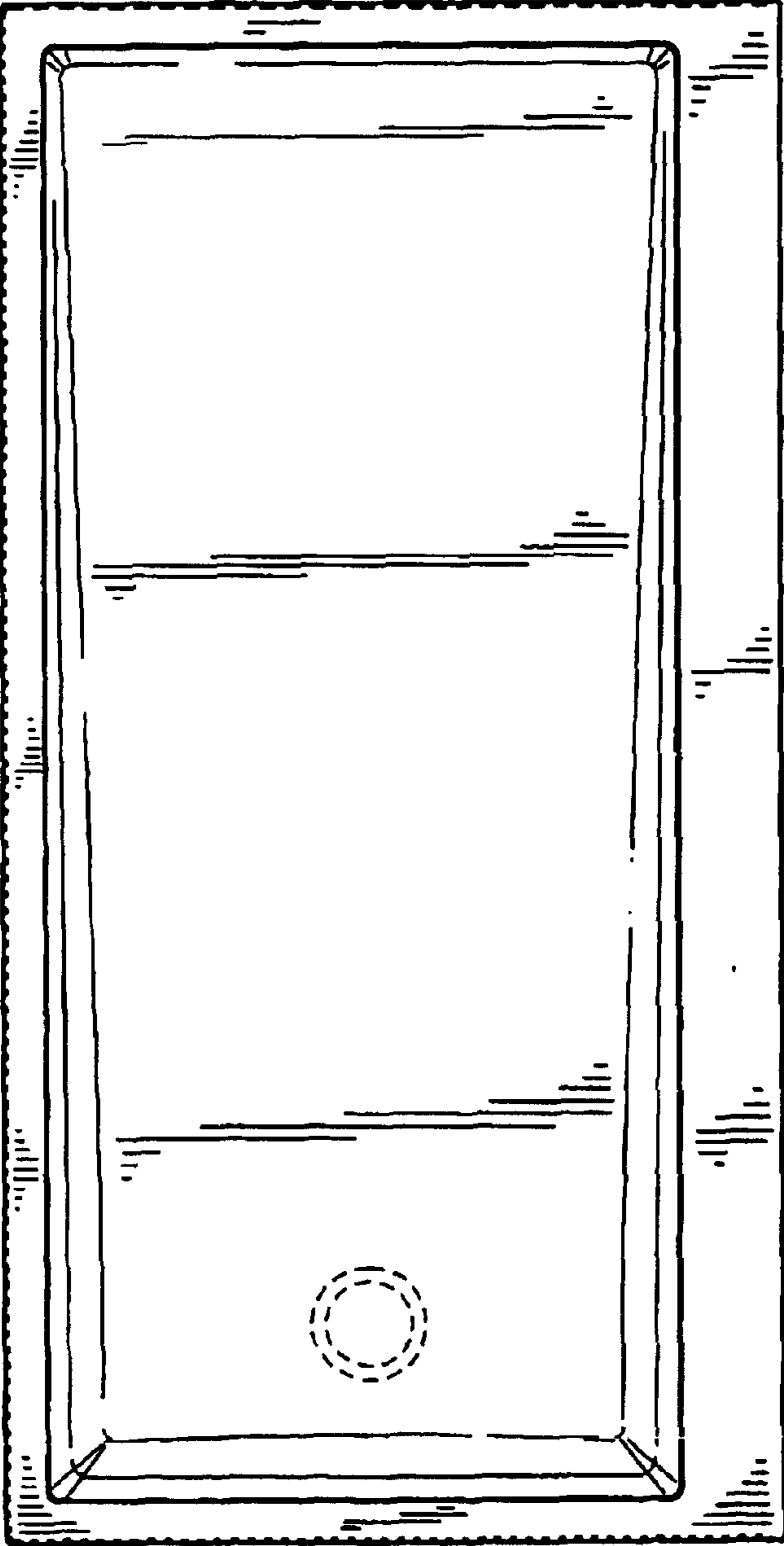
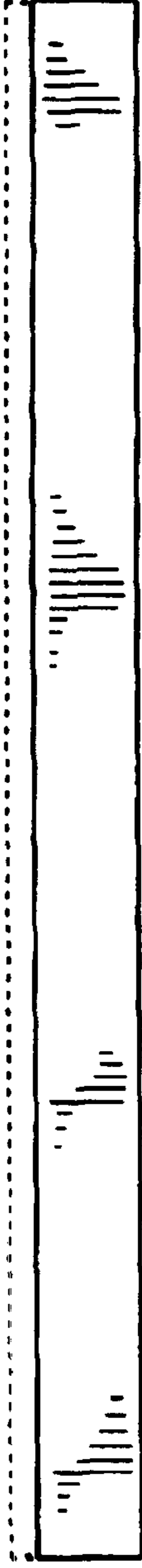
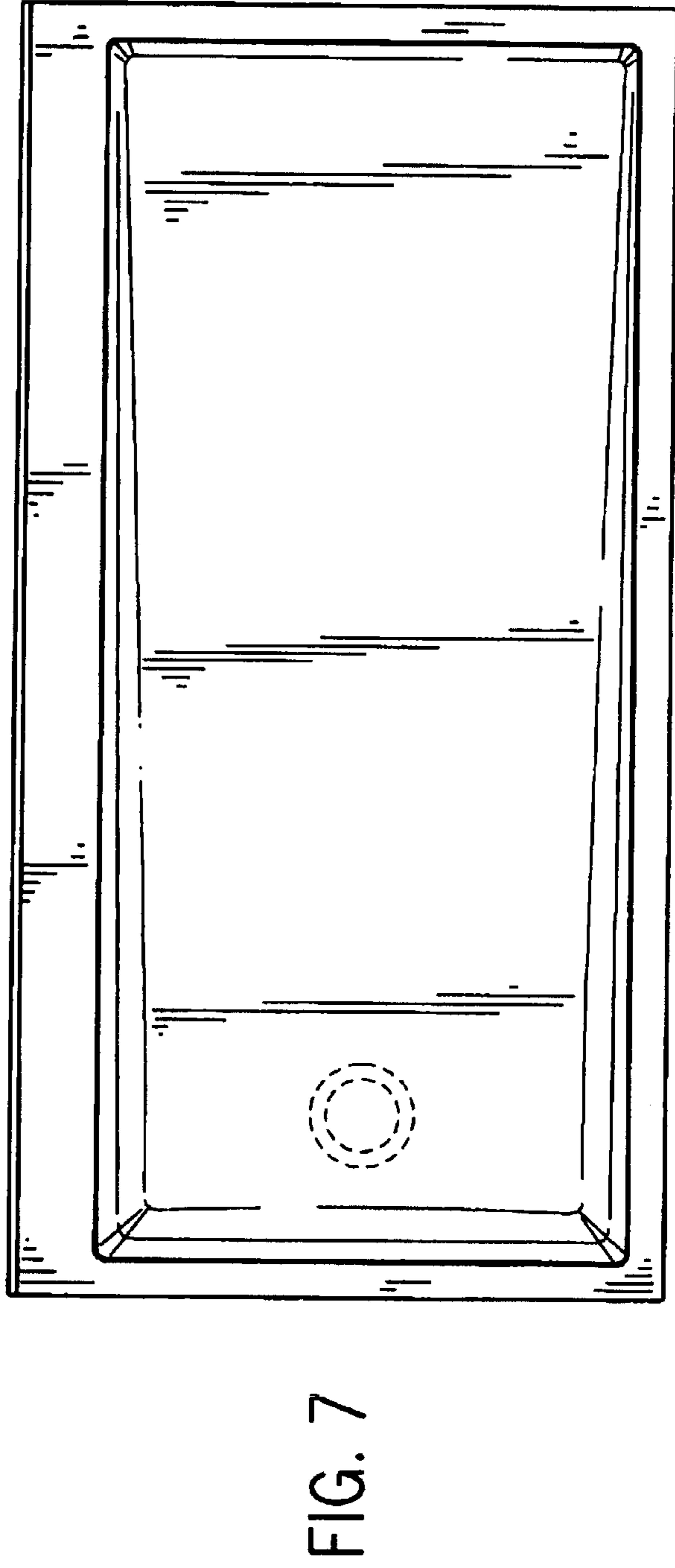
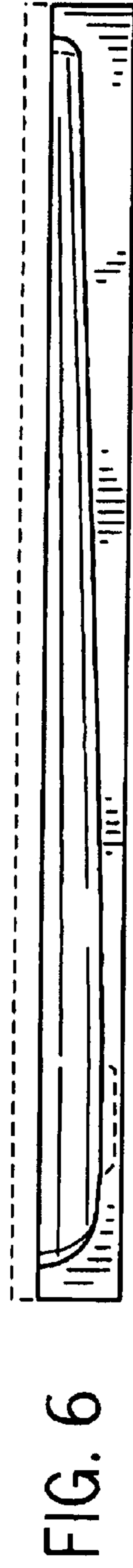


FIG. 3





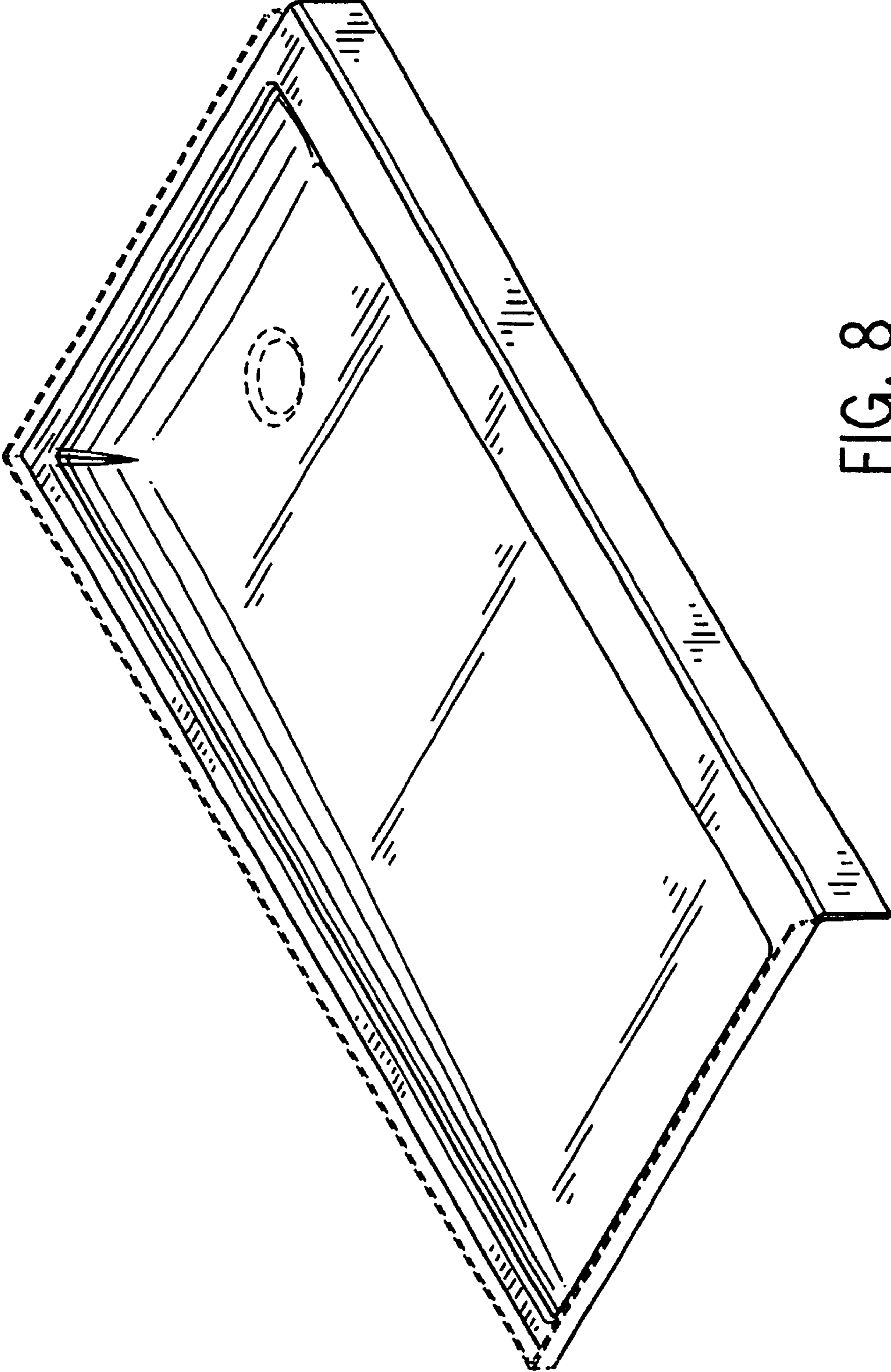


FIG. 8