



US00D541912S

(12) **United States Design Patent**
Ziemann

(10) **Patent No.:** **US D541,912 S**

(45) **Date of Patent:** **** May 1, 2007**

(54) **SINK**

2,993,088 A * 7/1961 Camp 4/636
D508,555 S * 8/2005 Ziemann D23/293.1

(75) Inventor: **Brigitte Ziemann**, Eppingen (DE)

* cited by examiner

(73) Assignee: **Blanco GmbH + Co KG** (DE)

Primary Examiner—Robert A. Delehanty
(74) *Attorney, Agent, or Firm*—Hanley, Flight & Zimmerman, LLC

(**) Term: **14 Years**

(21) Appl. No.: **29/242,599**

(22) Filed: **Nov. 10, 2005**

(57) **CLAIM**

The ornamental design for a “sink,” as shown and described.

(30) **Foreign Application Priority Data**

May 11, 2005 (EM) 000344775

DESCRIPTION

(51) **LOC (8) Cl.** **23-02**

FIG. 1 is a top, left perspective view of a sink showing my new design.

(52) **U.S. Cl.** **D23/293.1**

FIG. 2 is a top plan view of the sink of FIG. 1.

(58) **Field of Classification Search** D23/270–271,
D23/273, 284–287, 291, 293.1, 303, 308;
4/619, 624–625, 630, 661, DIG. 15; D21/524

FIG. 3 is a bottom plan view of the sink of FIG. 1.

FIG. 4 is a front view of the sink of FIG. 1.

See application file for complete search history.

FIG. 5 is a rear view of the sink of FIG. 1.

FIG. 6 is a right side view of the sink of FIG. 1; and,

FIG. 7 is a left side view of the sink of FIG. 1.

(56) **References Cited**

U.S. PATENT DOCUMENTS

D25,035 S * 12/1895 Ball et al. D23/293.1

1 Claim, 7 Drawing Sheets

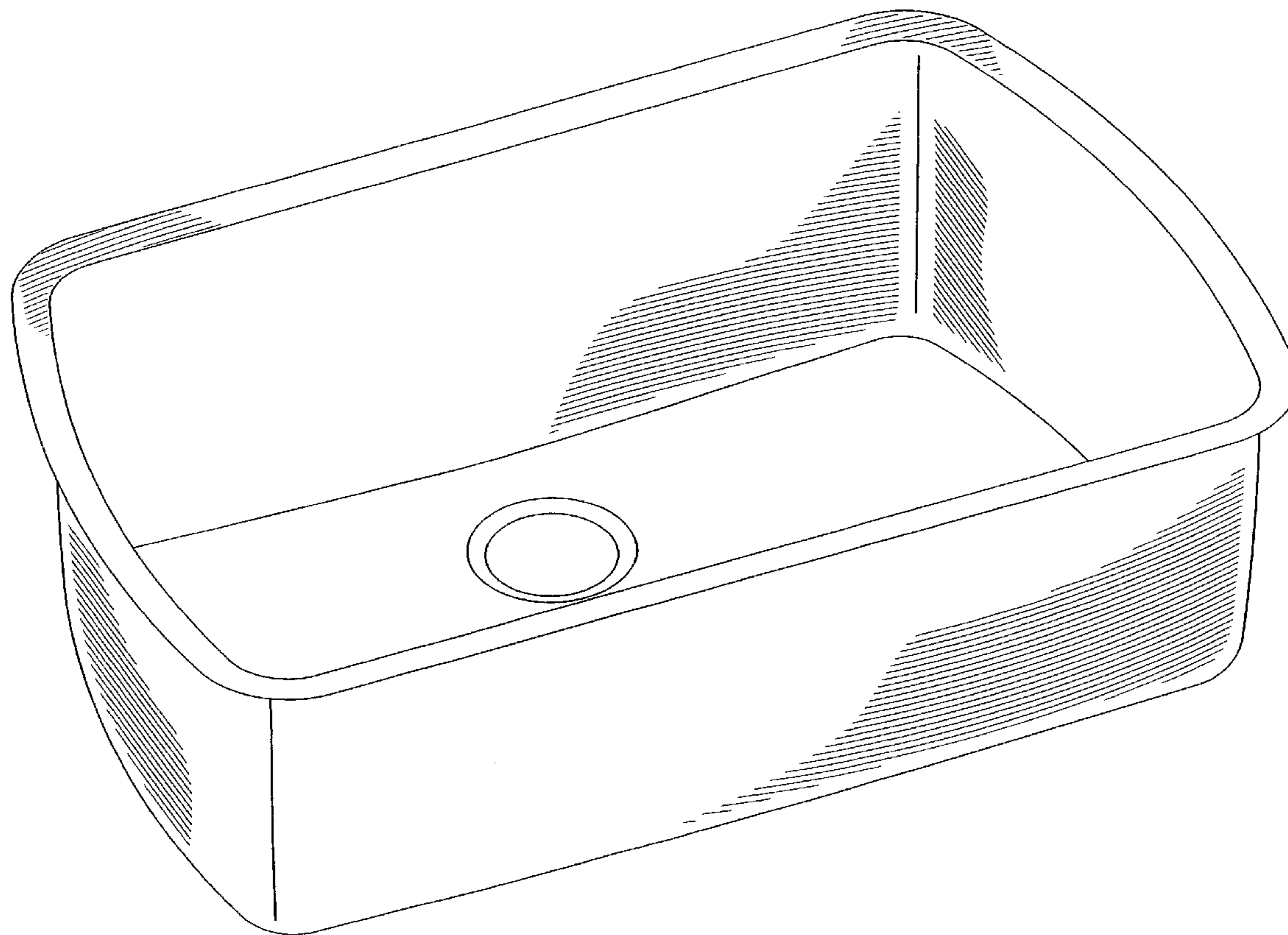


Fig. 1

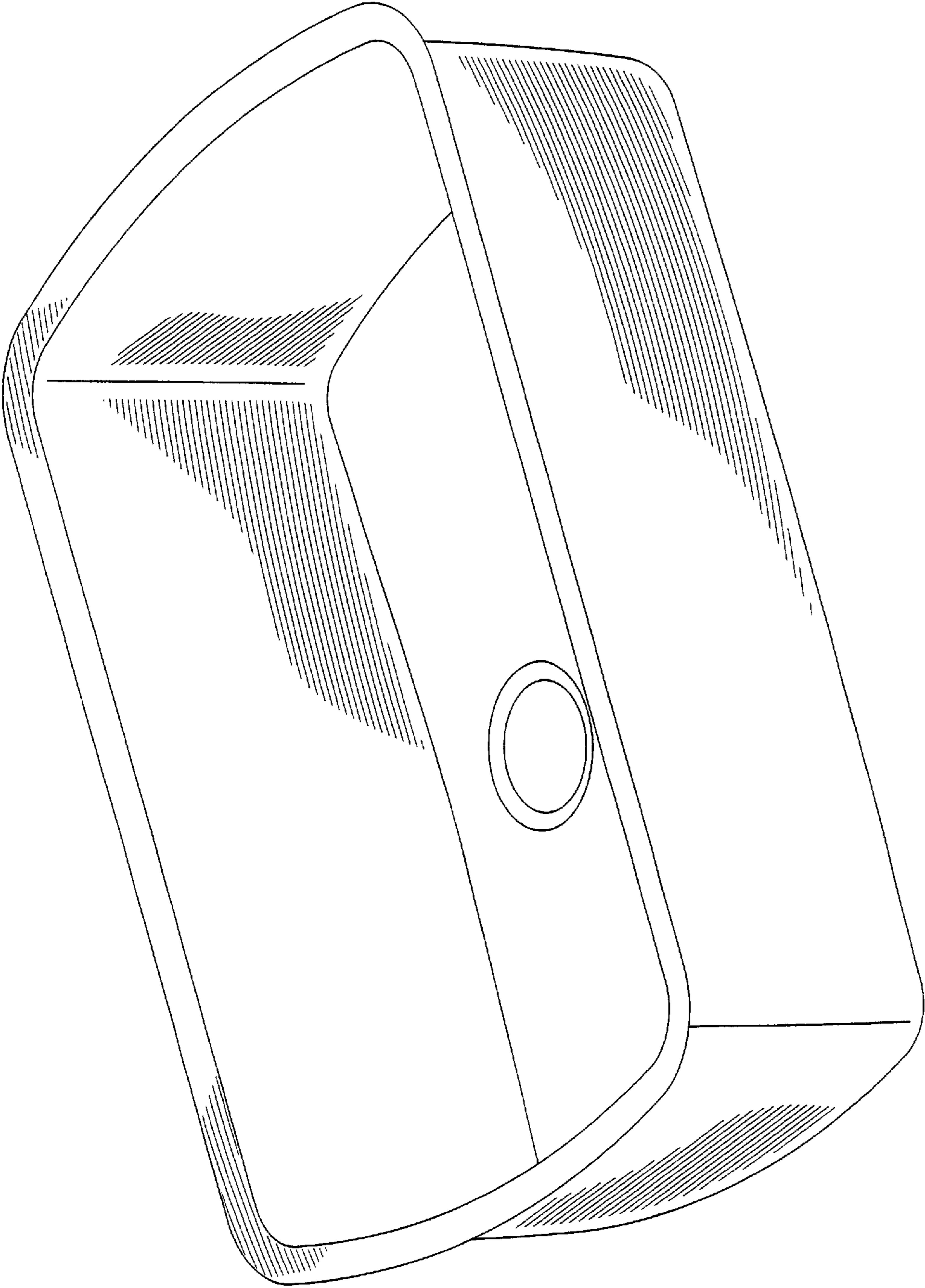


Fig. 2

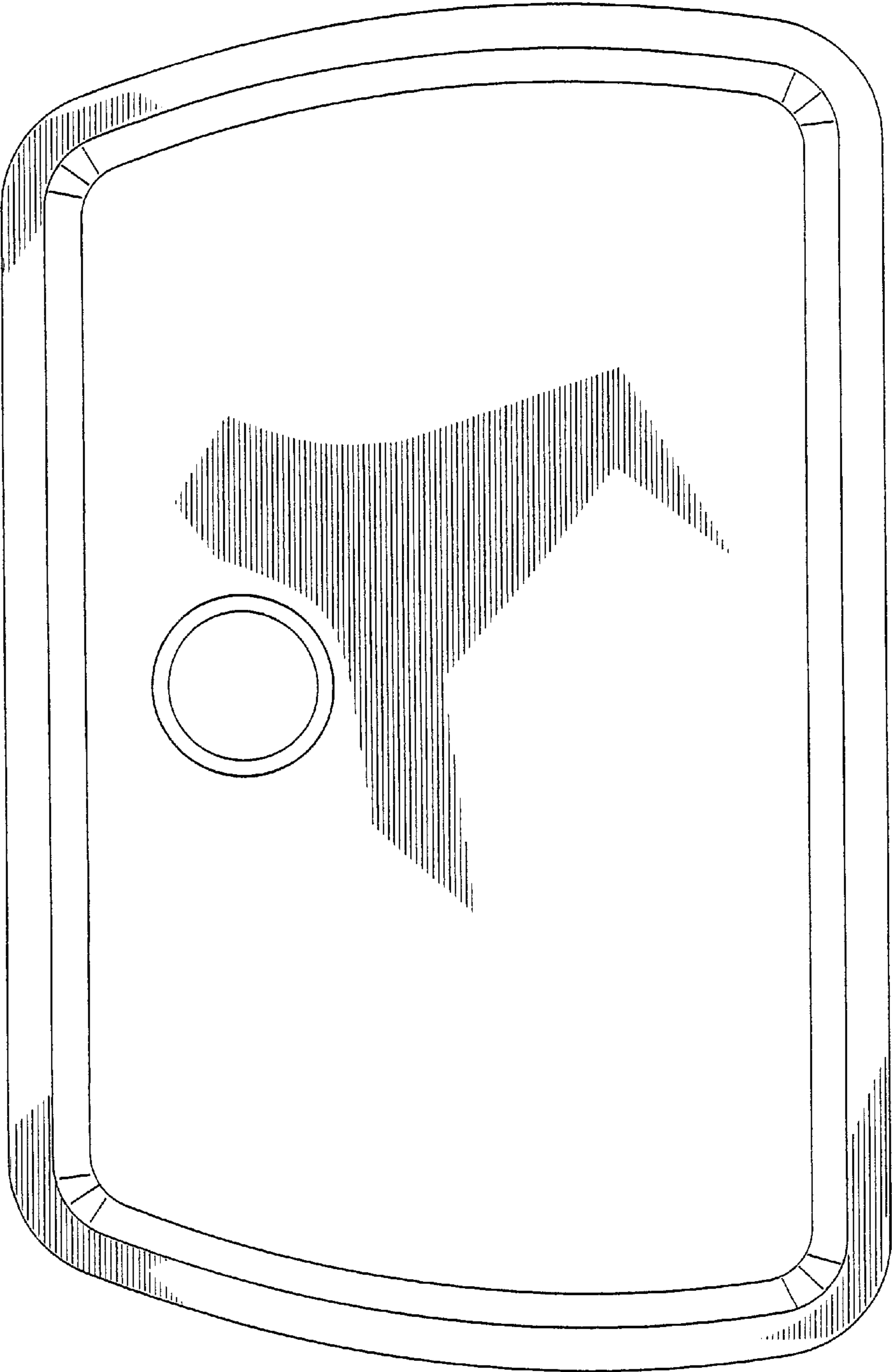


Fig. 3

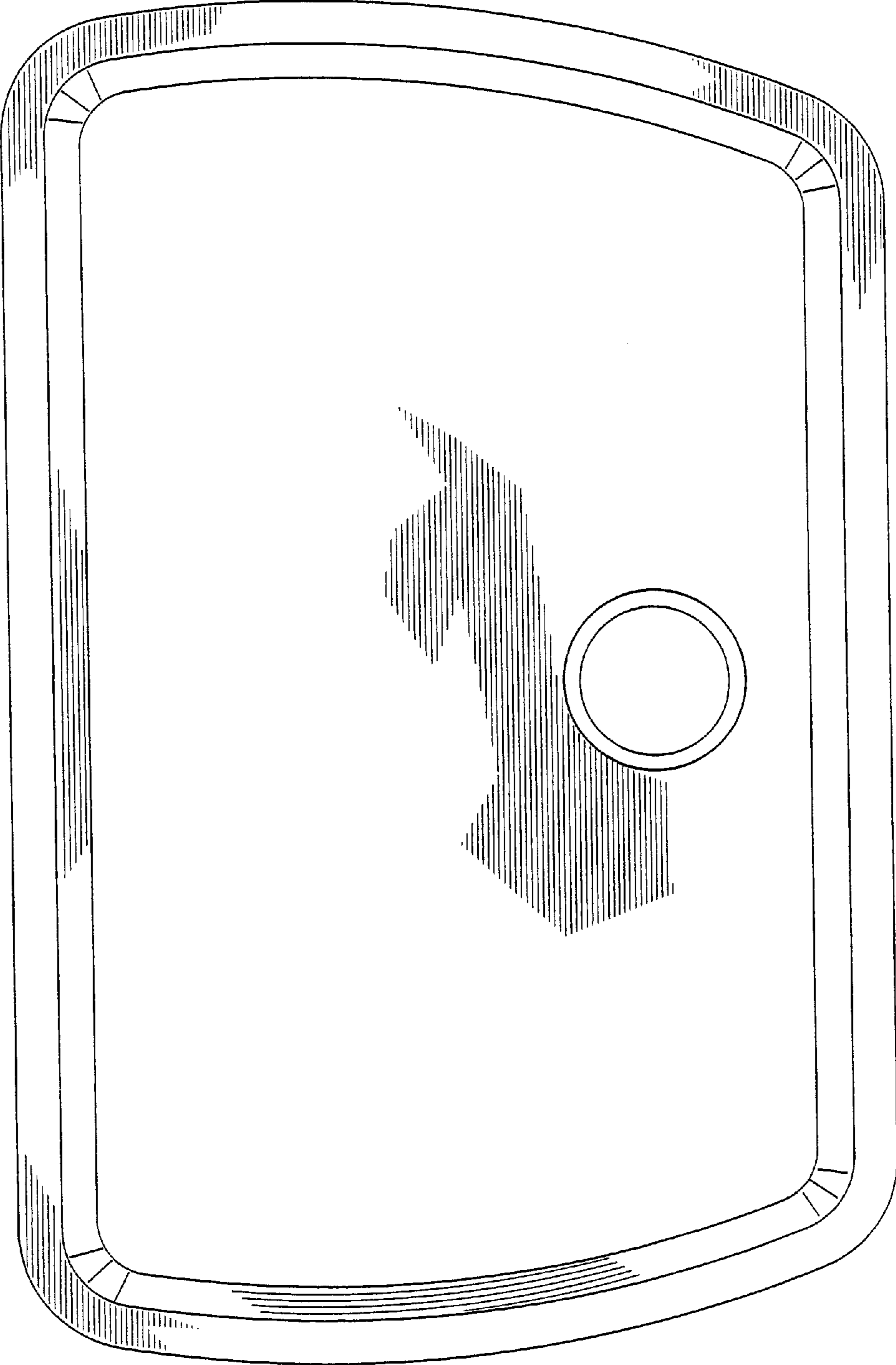


Fig. 4

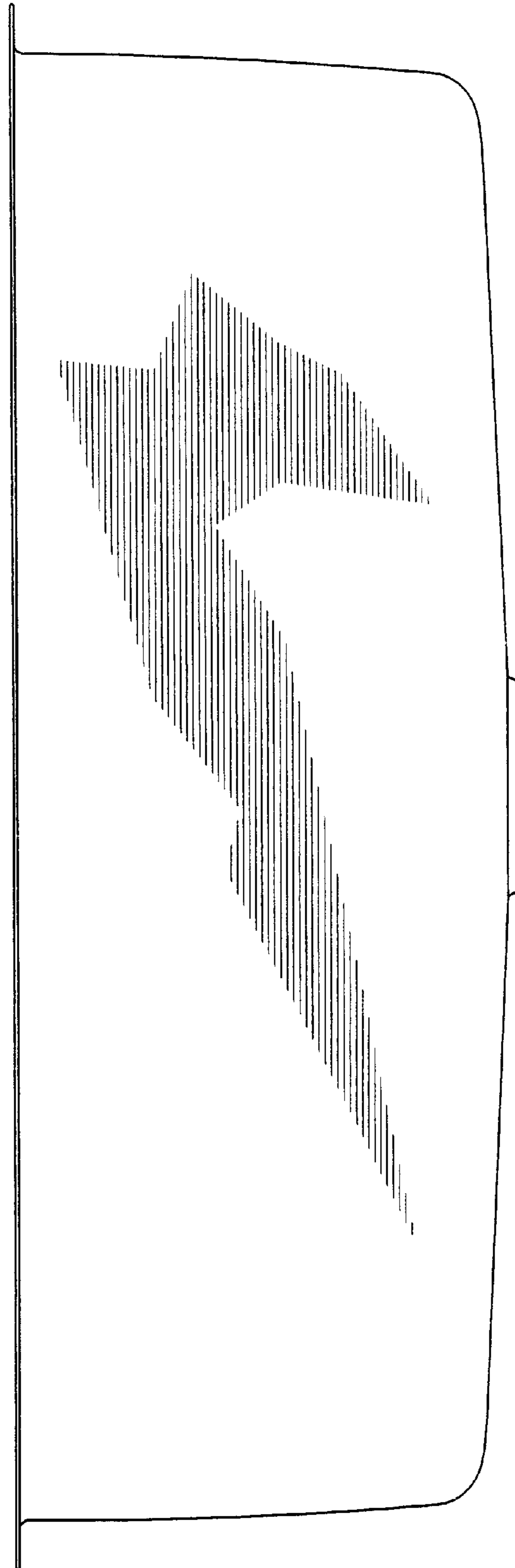


Fig. 5

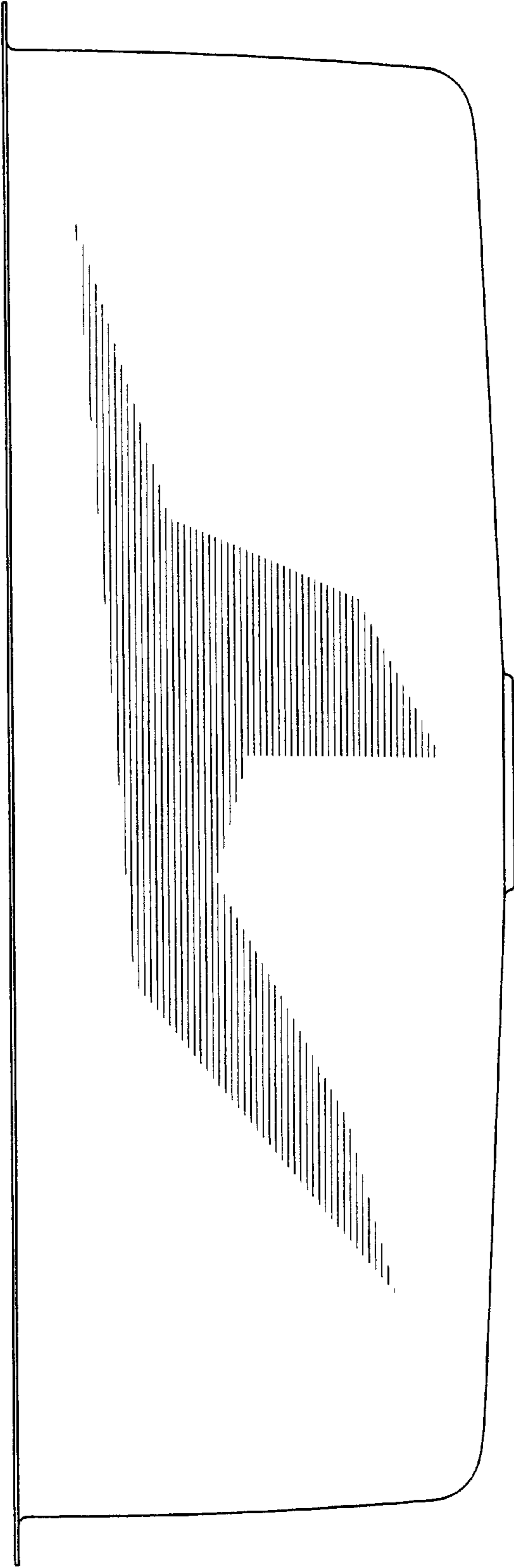


Fig. 6

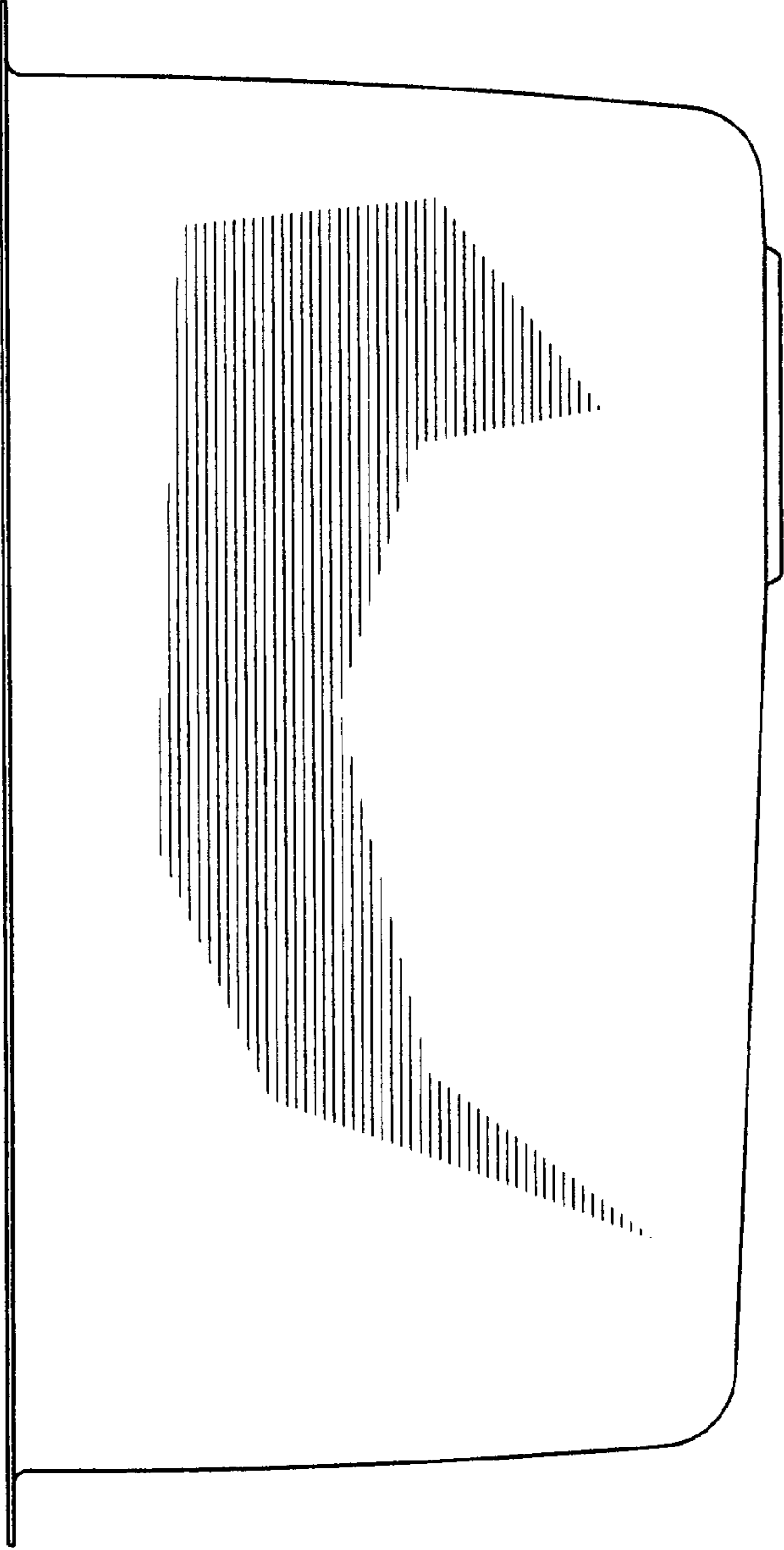


Fig. 7

