



US00D541910S

(12) **United States Design Patent**  
**Gilbert**

(10) **Patent No.:** **US D541,910 S**

(45) **Date of Patent:** **\*\* May 1, 2007**

(54) **HANDLE**

(75) **Inventor:** **Christopher Jon Gilbert**, Moreland Hills, OH (US)

(73) **Assignee:** **Moen Incorporated**, North Olmsted, OH (US)

(\*\*) **Term:** **14 Years**

(21) **Appl. No.:** **29/258,407**

(22) **Filed:** **Apr. 20, 2006**

(51) **LOC (8) Cl.** ..... **23-01**

(52) **U.S. Cl.** ..... **D23/252**

(58) **Field of Classification Search** ..... D23/238-257;  
D8/300-322, DIG. 3; 16/110.1; 4/675-678;  
137/801

See application file for complete search history.

(56) **References Cited**

**U.S. PATENT DOCUMENTS**

D83,156 S	1/1931	Graff	
D271,560 S	* 11/1983	Valli	D8/308
D314,129 S	* 1/1991	Zanini	D8/301
D345,901 S	* 4/1994	Fojtasek et al.	D8/308
D355,578 S	2/1995	Mark et al.	
D443,679 S	6/2001	Lord	
D443,917 S	6/2001	Lord	
D444,213 S	6/2001	Lord	
D444,853 S	7/2001	Lord	
D444,854 S	7/2001	Lord	
D458,829 S	6/2002	Zoerner	
D477,053 S	7/2003	Schonherr et al.	
D477,057 S	7/2003	Schonherr et al.	

D498,822 S	11/2004	Lin	
D498,824 S	11/2004	Lin	
D509,568 S	* 9/2005	Blattner et al.	D23/252
D509,569 S	* 9/2005	Svendsen et al.	D23/252

\* cited by examiner

*Primary Examiner*—Louis S. Zarfaz

*Assistant Examiner*—Gregory Andoll

(74) *Attorney, Agent, or Firm*—Calfee, Halter & Griswold LLP

(57) **CLAIM**

The ornamental design for handle, as shown and described.

**DESCRIPTION**

FIG. 1 is a perspective view of one embodiment of the handle of the new design;

FIG. 2 is a front elevational view of the handle of FIG. 1;

FIG. 3 is a rear elevational view of the handle of FIG. 1;

FIG. 4 is a left elevational view of the handle of FIG. 1;

FIG. 5 is a right elevational view of the handle of FIG. 1;

FIG. 6 is a top plan view of the handle of FIG. 1;

FIG. 7 is a bottom plan view of the handle of FIG. 1;

FIG. 8 is a perspective view of another embodiment of the handle of the new design;

FIG. 9 is a front elevational view of the handle of FIG. 8;

FIG. 10 is a rear elevational view of the handle of FIG. 8;

FIG. 11 is a right elevational view of the handle of FIG. 8;

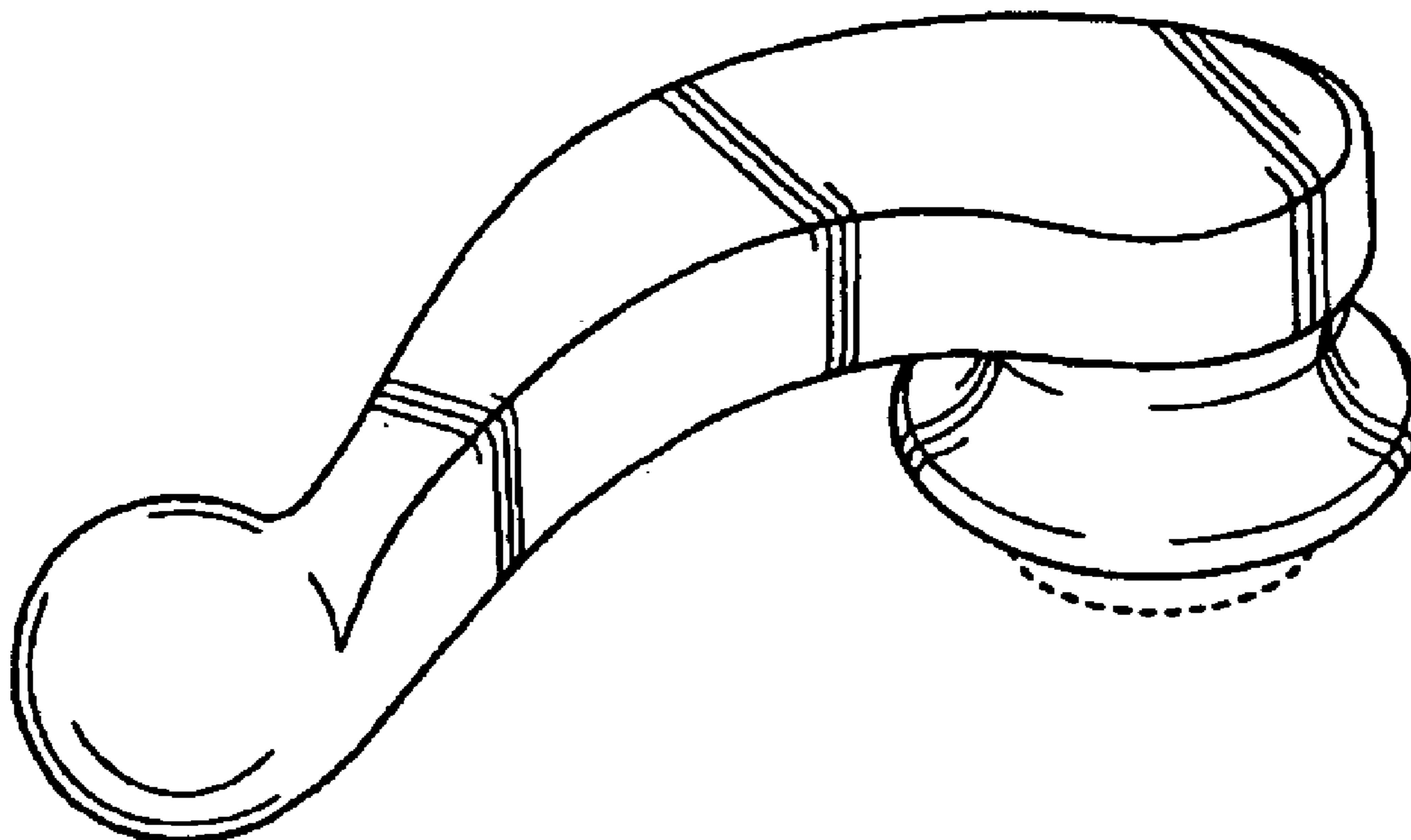
FIG. 12 is a left elevational view of the handle of FIG. 8;

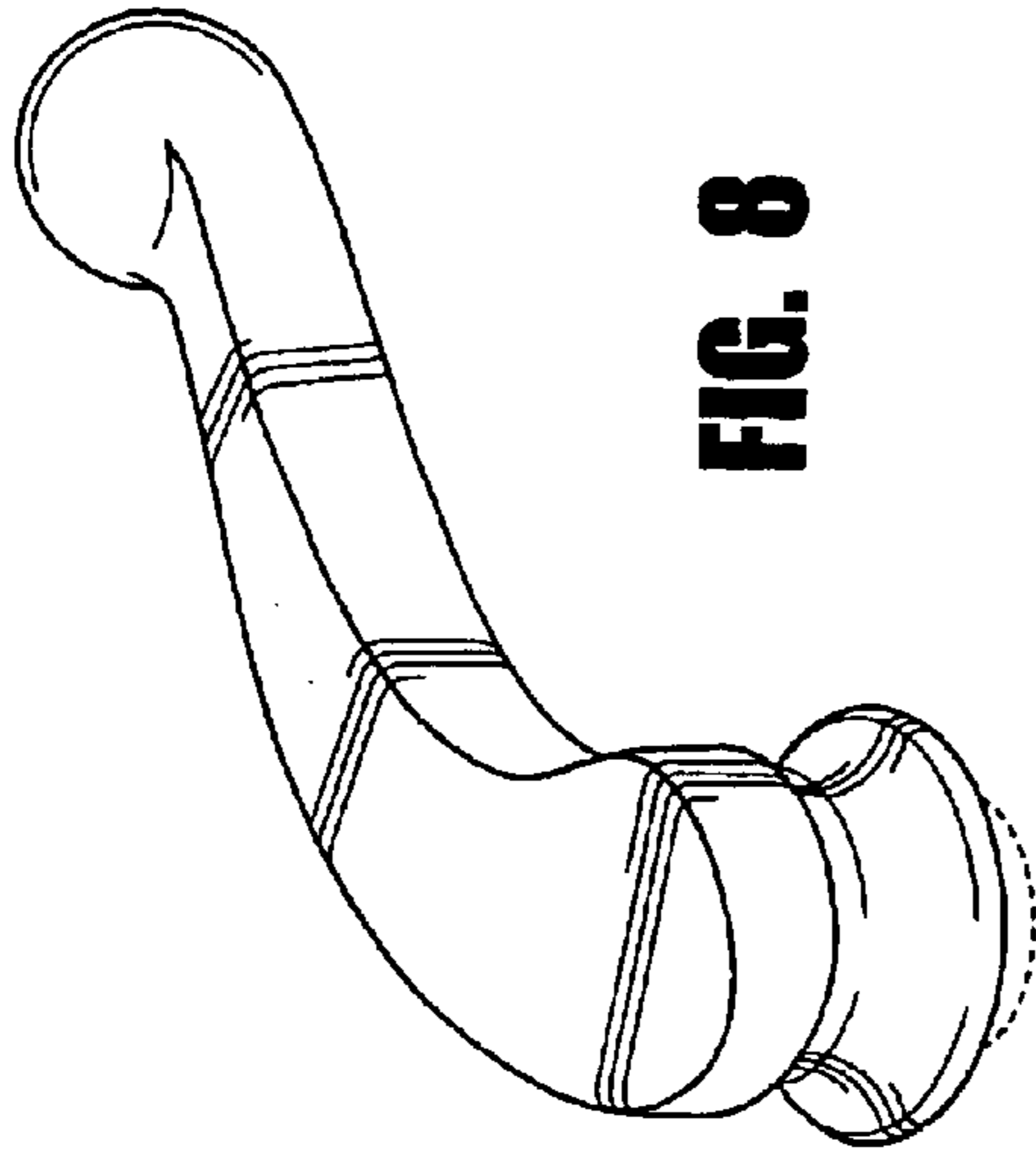
FIG. 13 is a top plan view of the handle of FIG. 8; and,

FIG. 14 is a bottom plan view of the handle of FIG. 8.

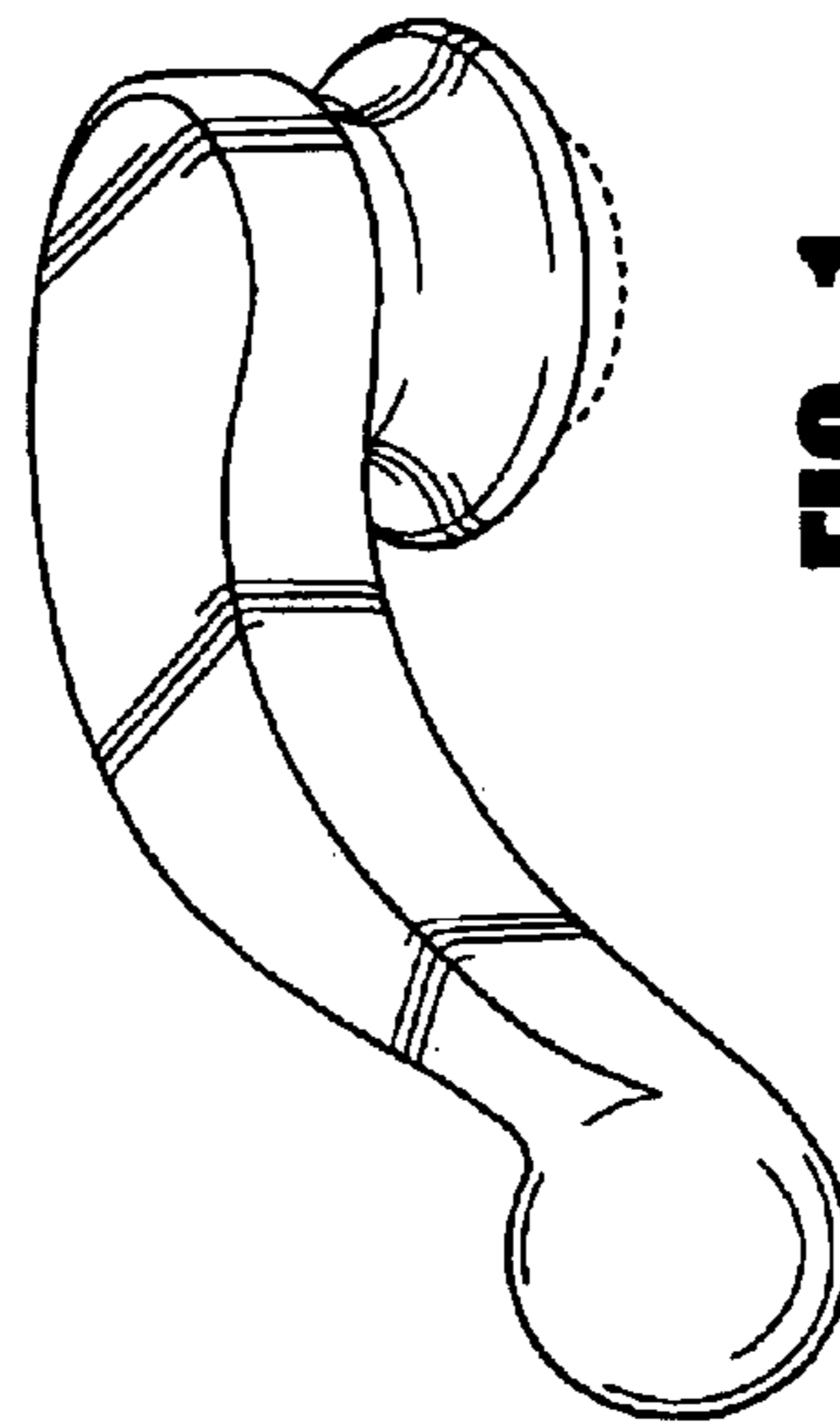
The portions of the Figures shown in broken lines are not part of the claimed design and are for illustration only.

**1 Claim, 3 Drawing Sheets**

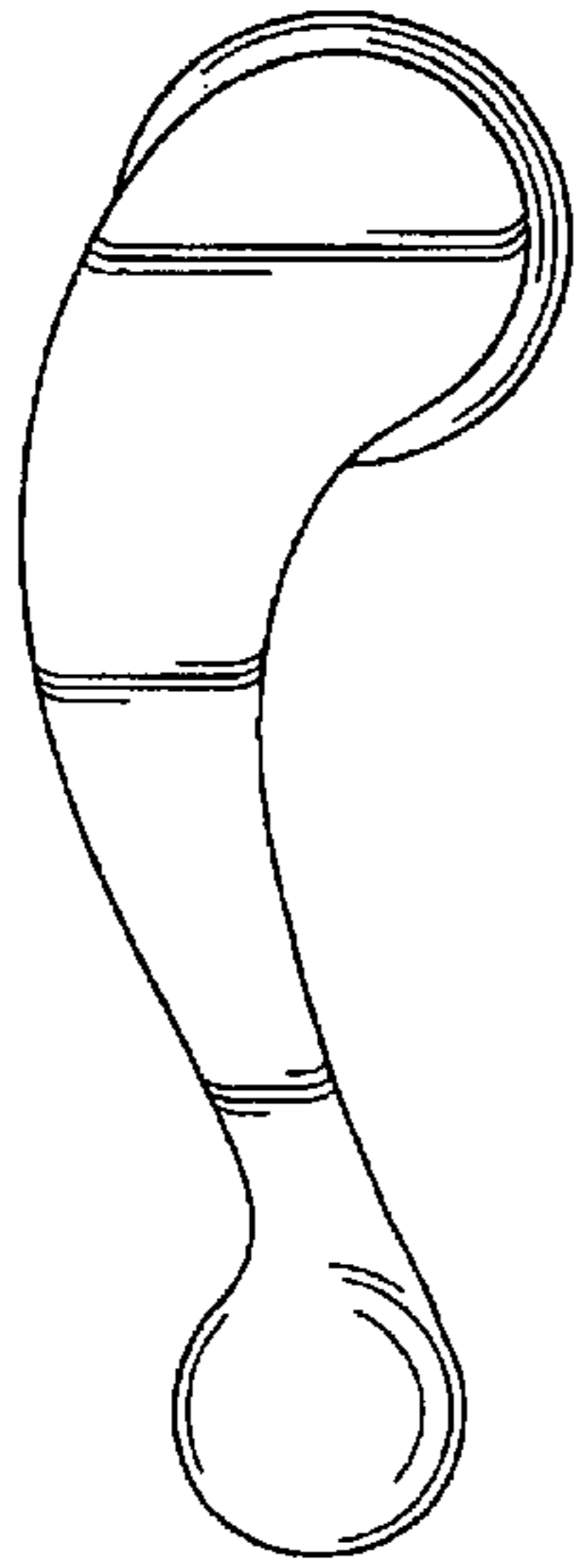




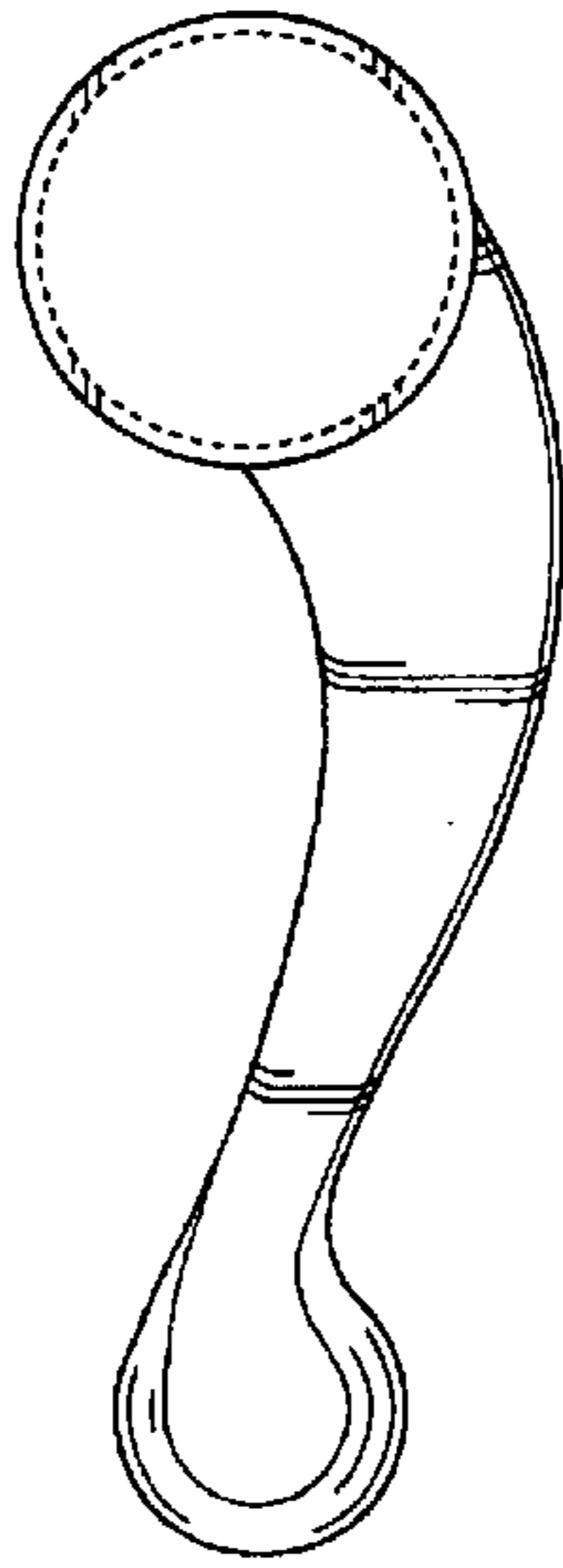
**FIG. 8**



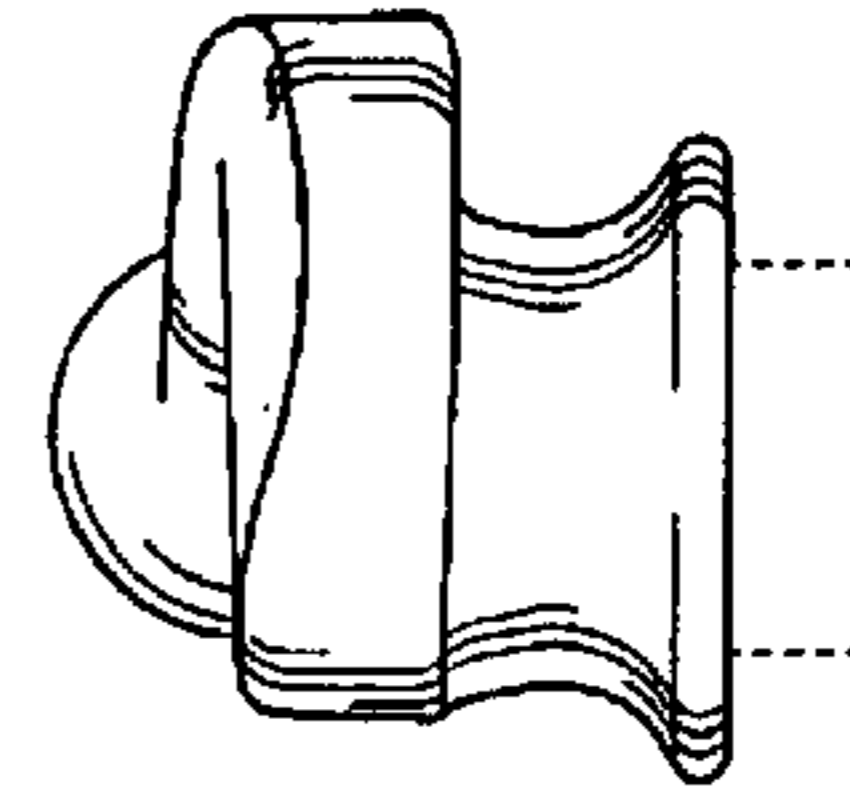
**FIG. 1**



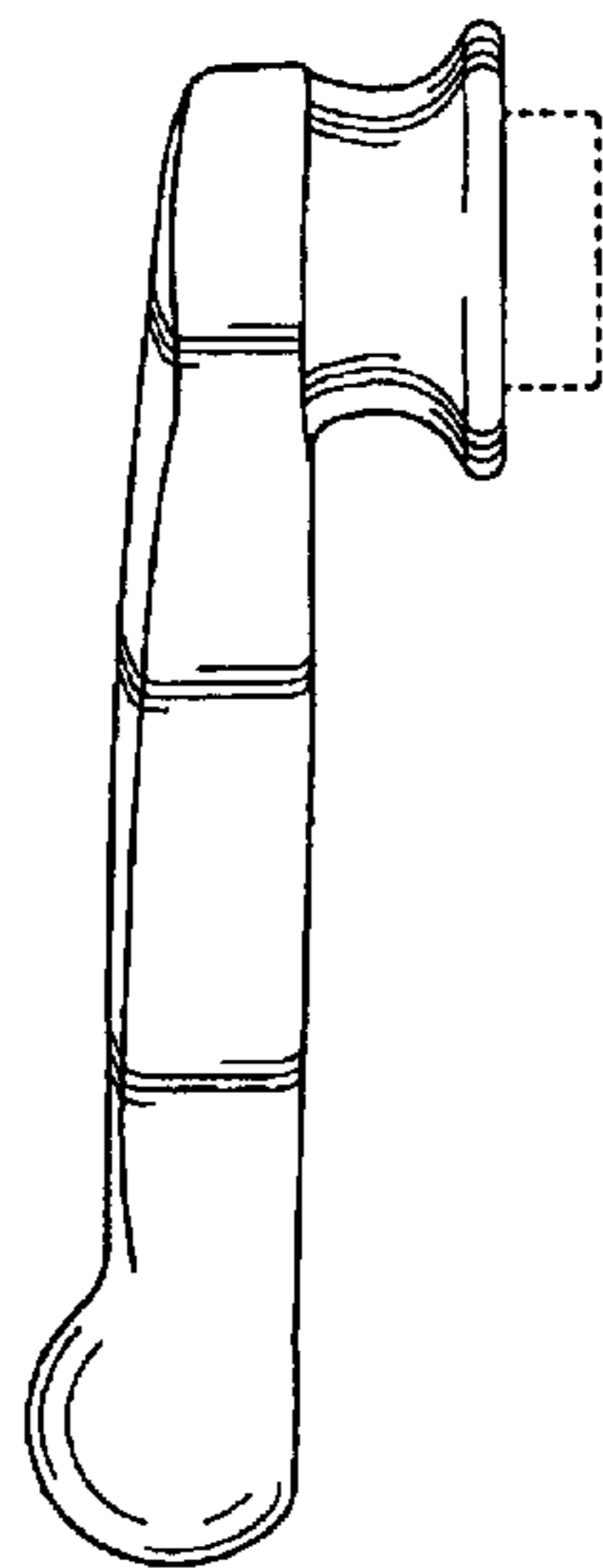
**FIG. 6**



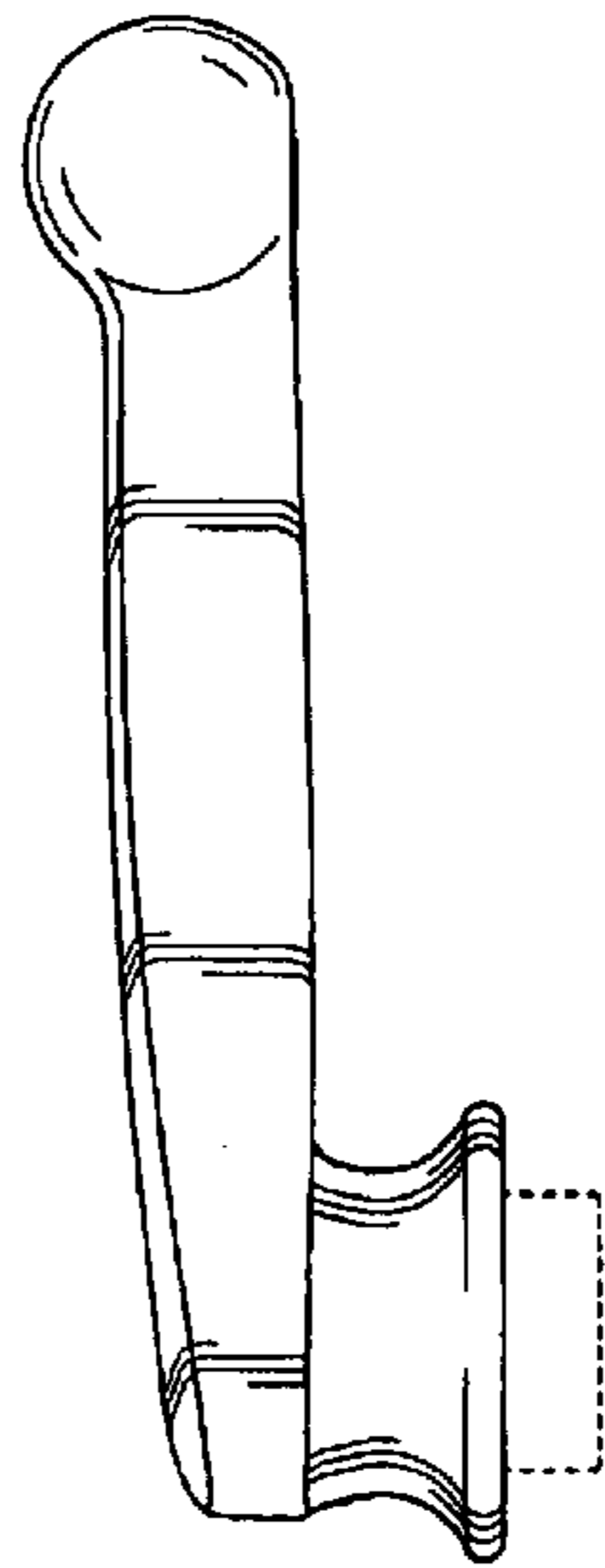
**FIG. 7**



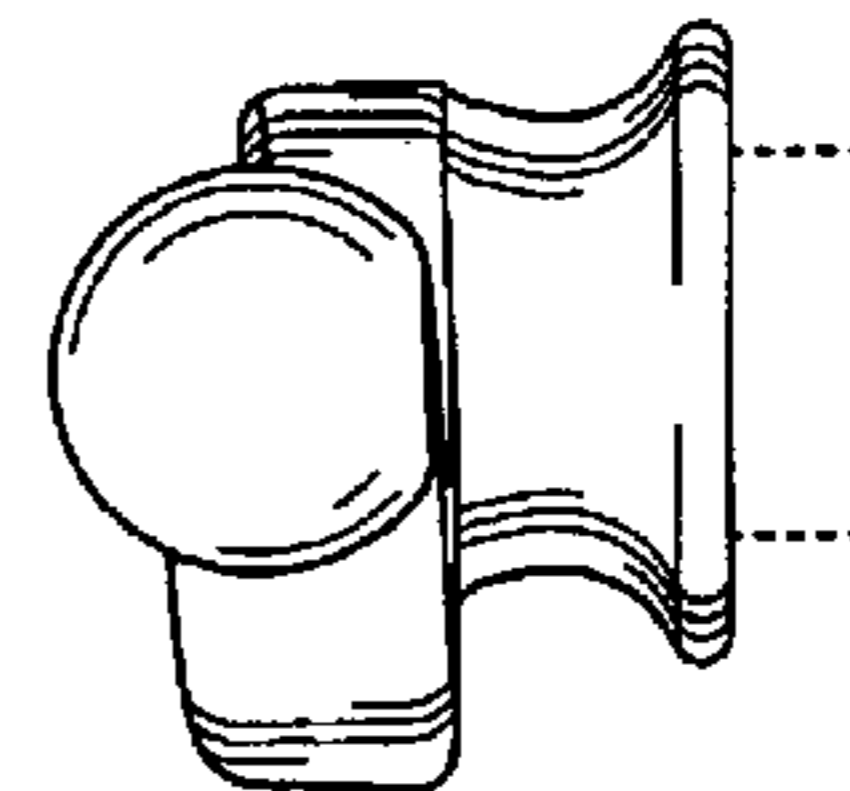
**FIG. 5**



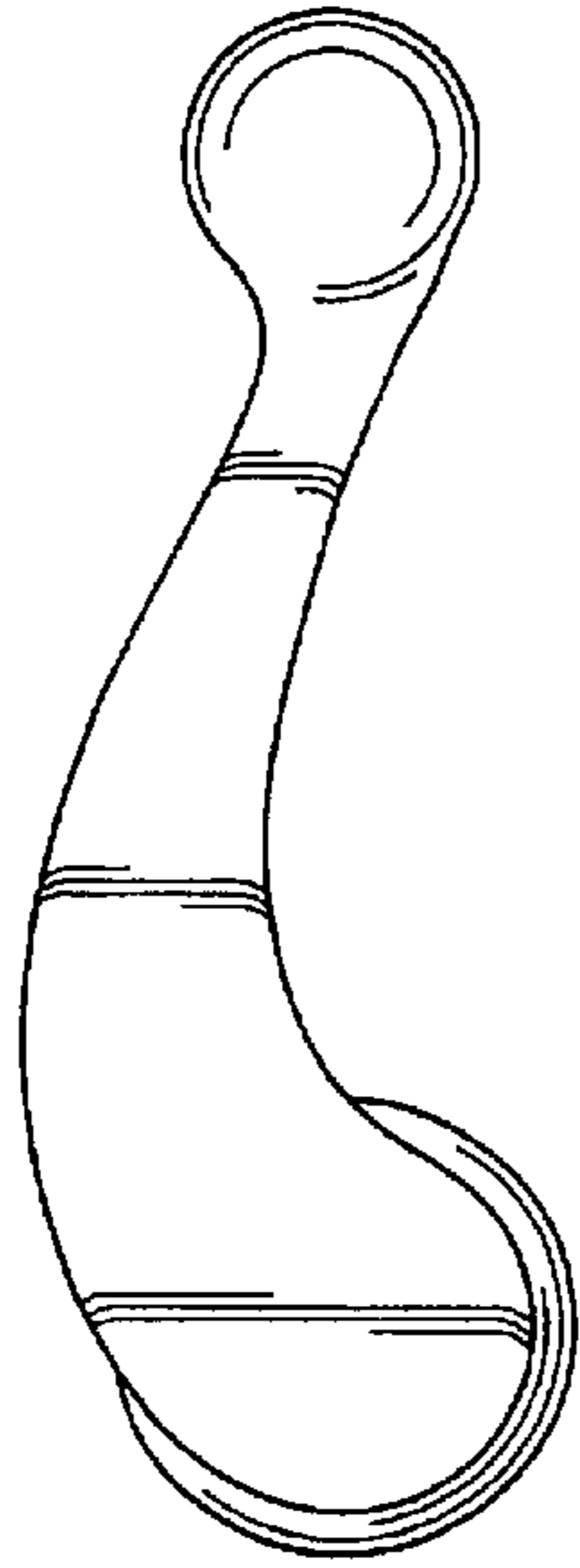
**FIG. 2**



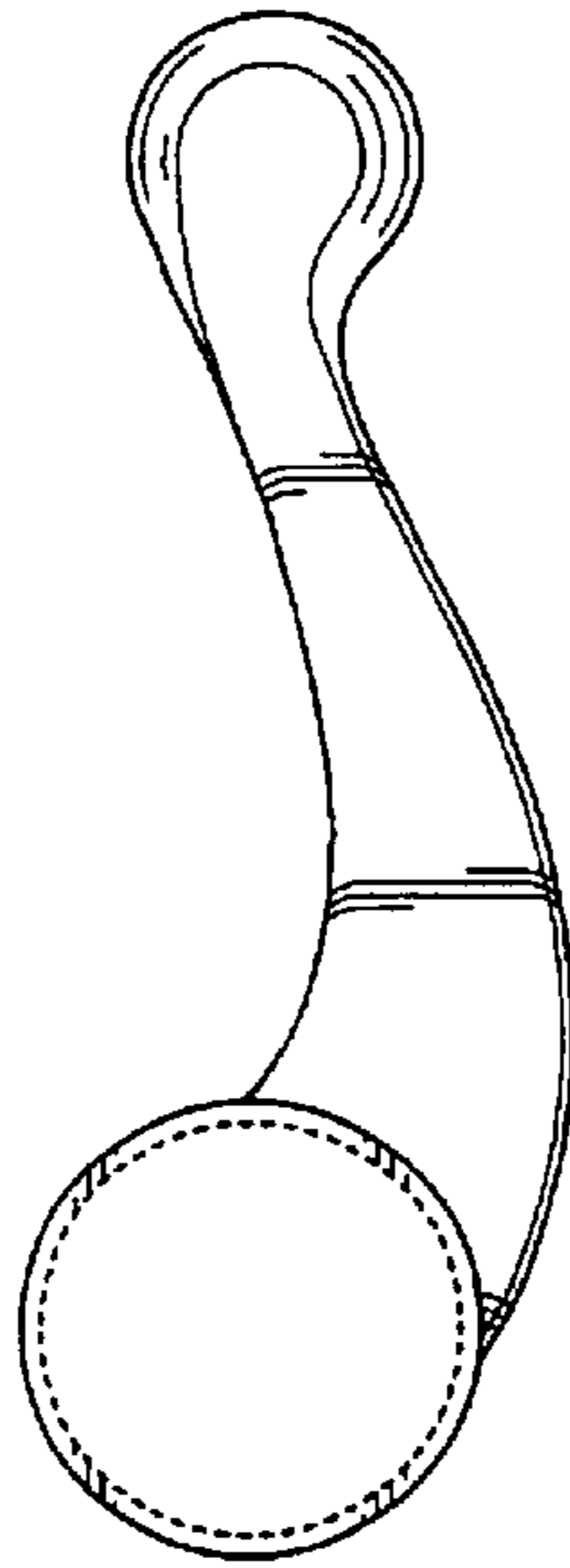
**FIG. 3**



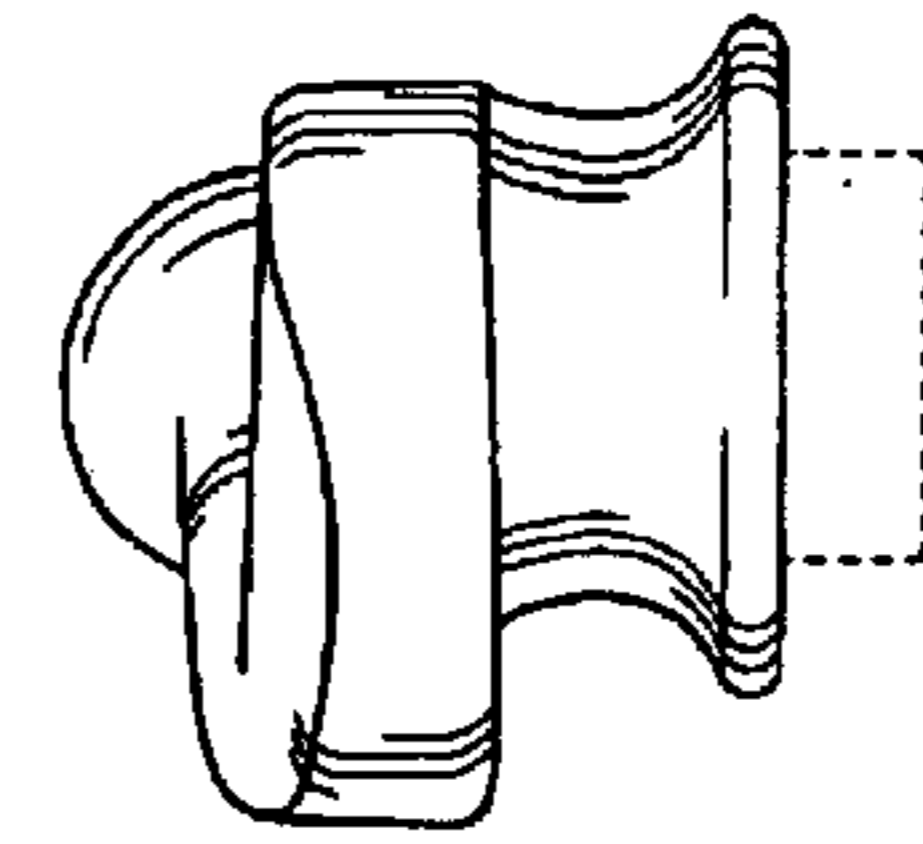
**FIG. 4**



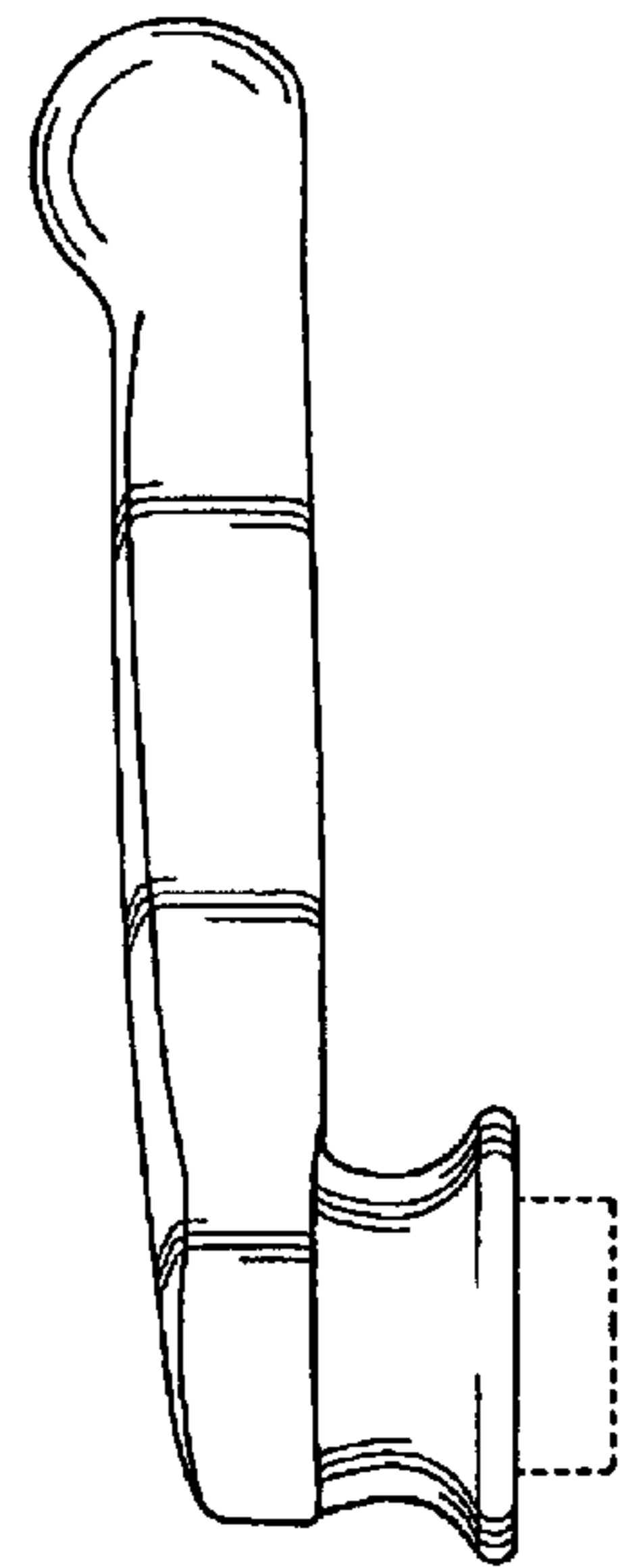
**FIG. 9**



**FIG. 10**



**FIG. 11**



**FIG. 12**

**FIG. 13**

**FIG. 14**