



US00D541907S

(12) **United States Design Patent**
Qing

(10) **Patent No.:** **US D541,907 S**

(45) **Date of Patent:** **** May 1, 2007**

(54) **ELECTRONIC FAUCET**

(75) Inventor: **Liao Song Qing**, Guangdong (CN)

(73) Assignee: **Masco Corporation of Indiana**,
Indianapolis, IN (US)

(**) Term: **14 Years**

(21) Appl. No.: **29/247,186**

(22) Filed: **Jun. 5, 2006**

(51) **LOC (8) Cl.** **23-00**

(52) **U.S. Cl.** **D23/238; D23/255**

(58) **Field of Classification Search** **D23/238-257;**
4/675-678; 137/801

See application file for complete search history.

(56) **References Cited**

U.S. PATENT DOCUMENTS

- D295,065 S * 4/1988 Fabian D23/255
- D325,771 S * 4/1992 Di Maggio D23/238
- D361,826 S * 8/1995 Mine D23/238

- D415,561 S * 10/1999 Lindholm D23/238
- D465,556 S * 11/2002 Ouyoung D23/238
- D530,397 S * 10/2006 Buschmann D23/238

* cited by examiner

Primary Examiner—Louis S. Zarfes

Assistant Examiner—Gregory Andoll

(74) *Attorney, Agent, or Firm*—Kwadjo Adusei-Poku;
Lloyd D. Doigan

(57) **CLAIM**

The ornamental design for an electronic faucet, as shown and described.

DESCRIPTION

FIG. 1 is a front perspective view of an electronic faucet showing my new design;

FIG. 2 is a top plan view thereof;

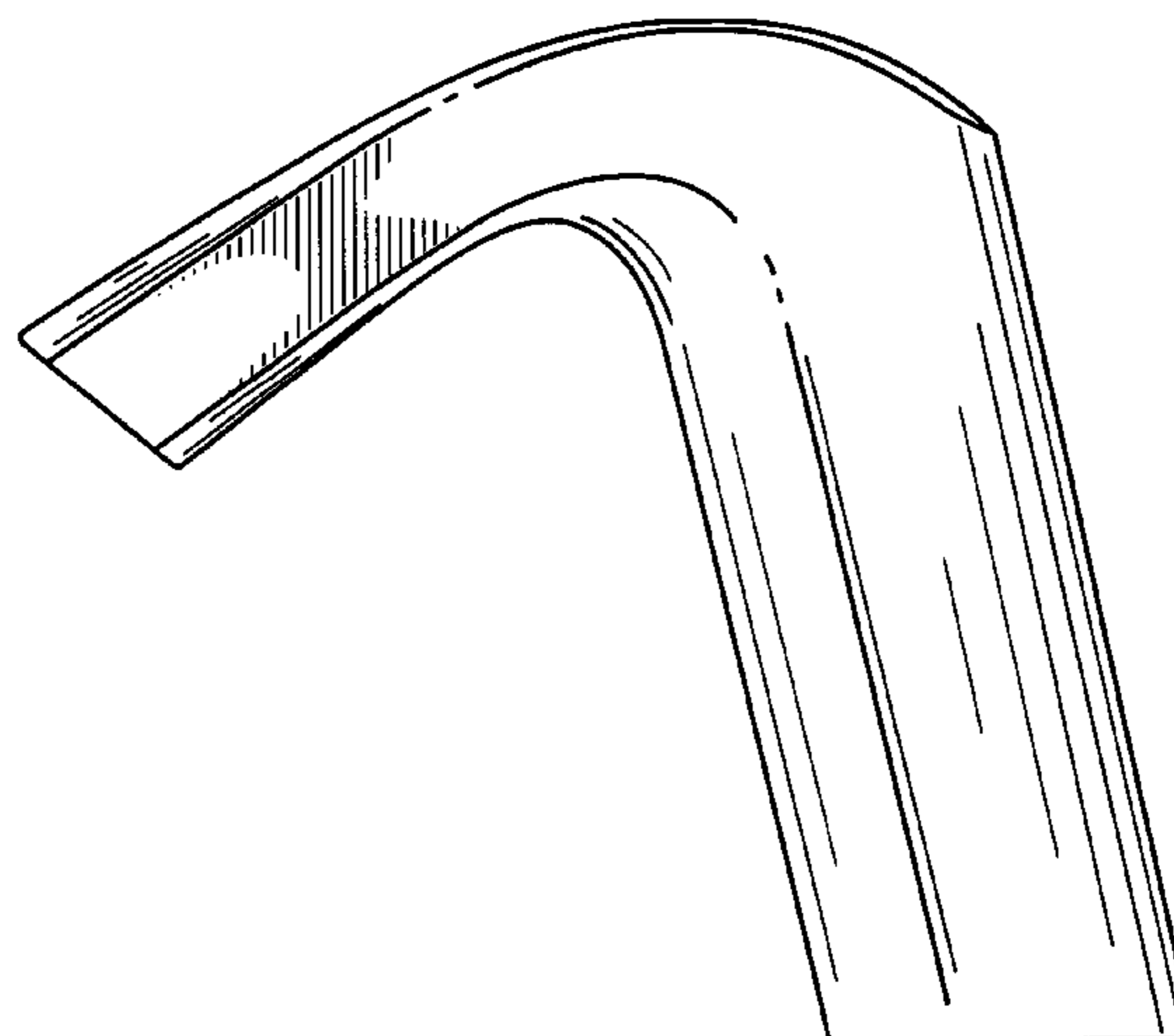
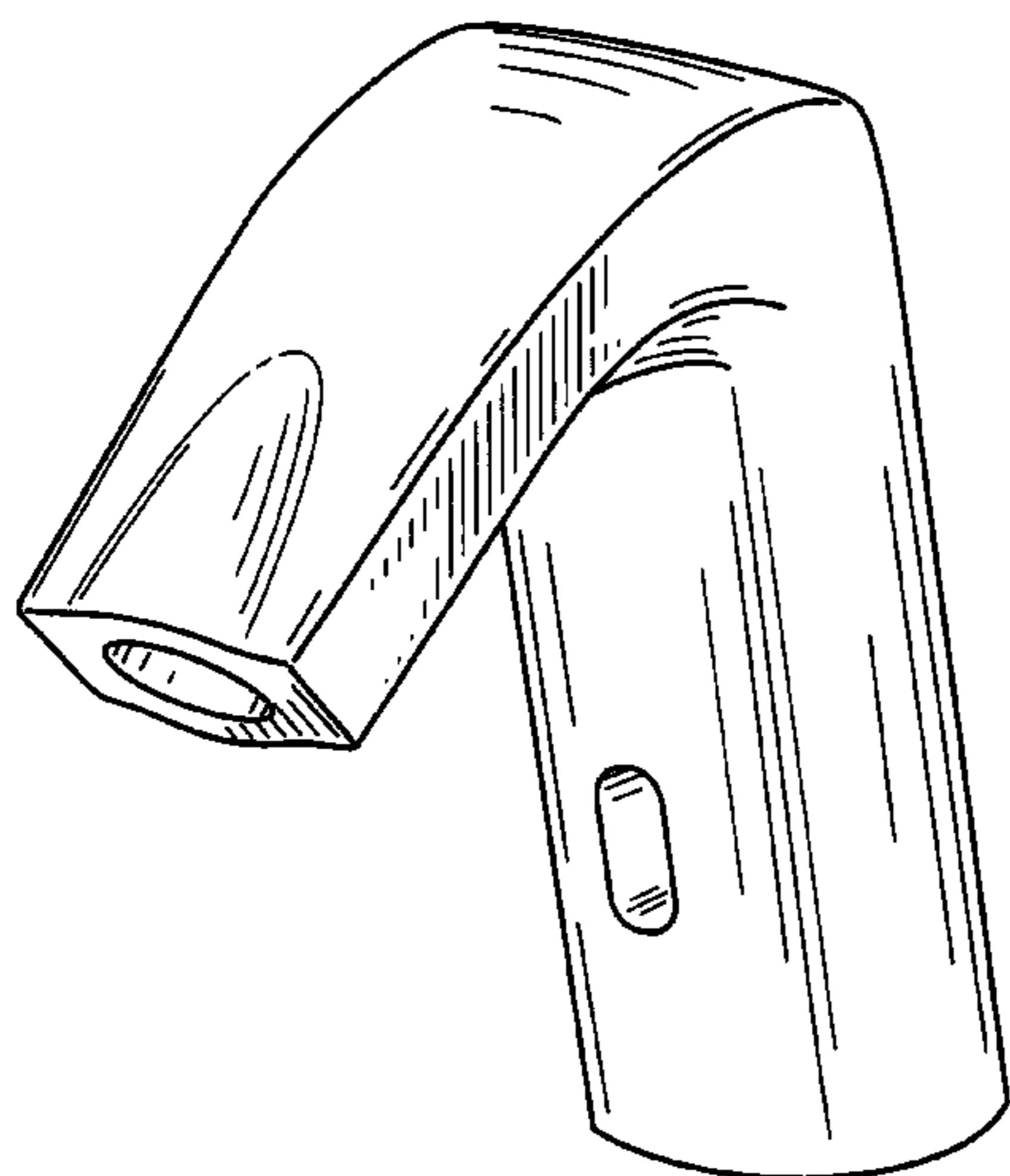
FIG. 3 is a left side elevational view thereof;

FIG. 4 is a right side elevational view thereof;

FIG. 5 is a front elevational view thereof; and,

FIG. 6 is a rear elevational view thereof.

1 Claim, 5 Drawing Sheets



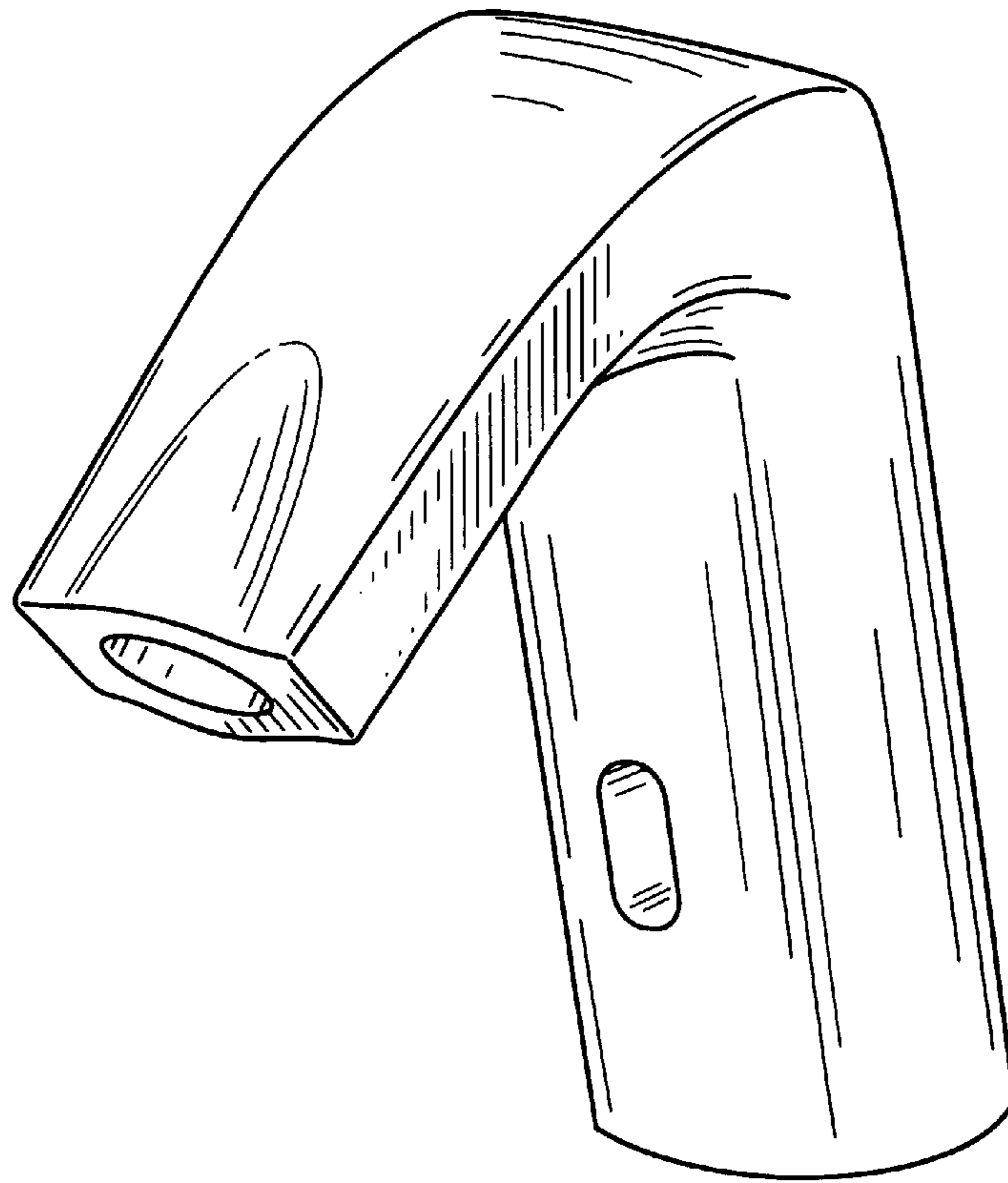


FIG. 1

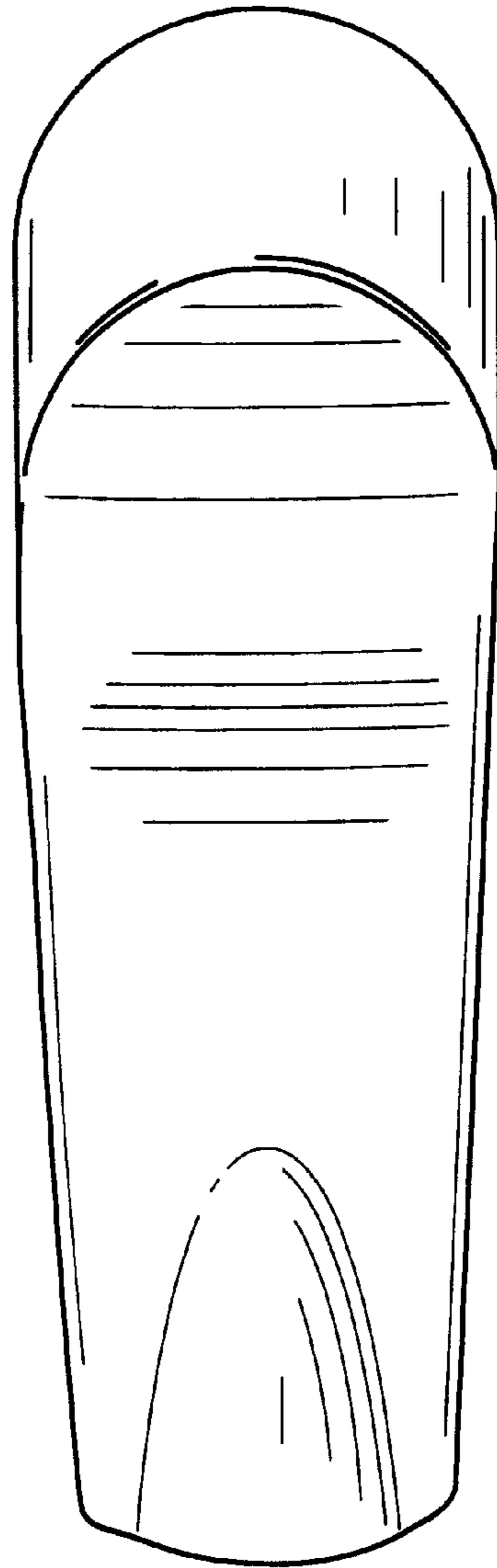


FIG. 2

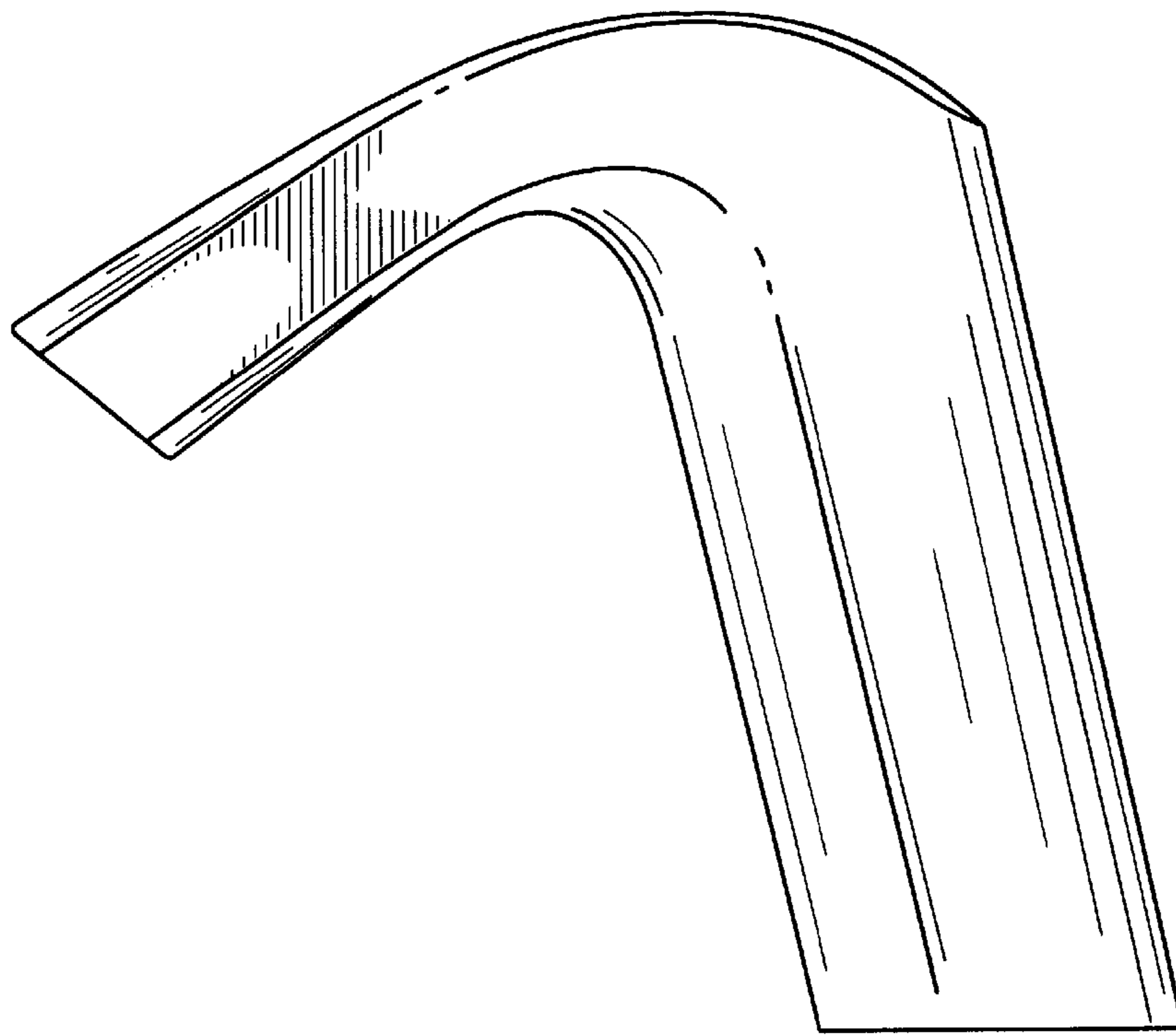


FIG. 3

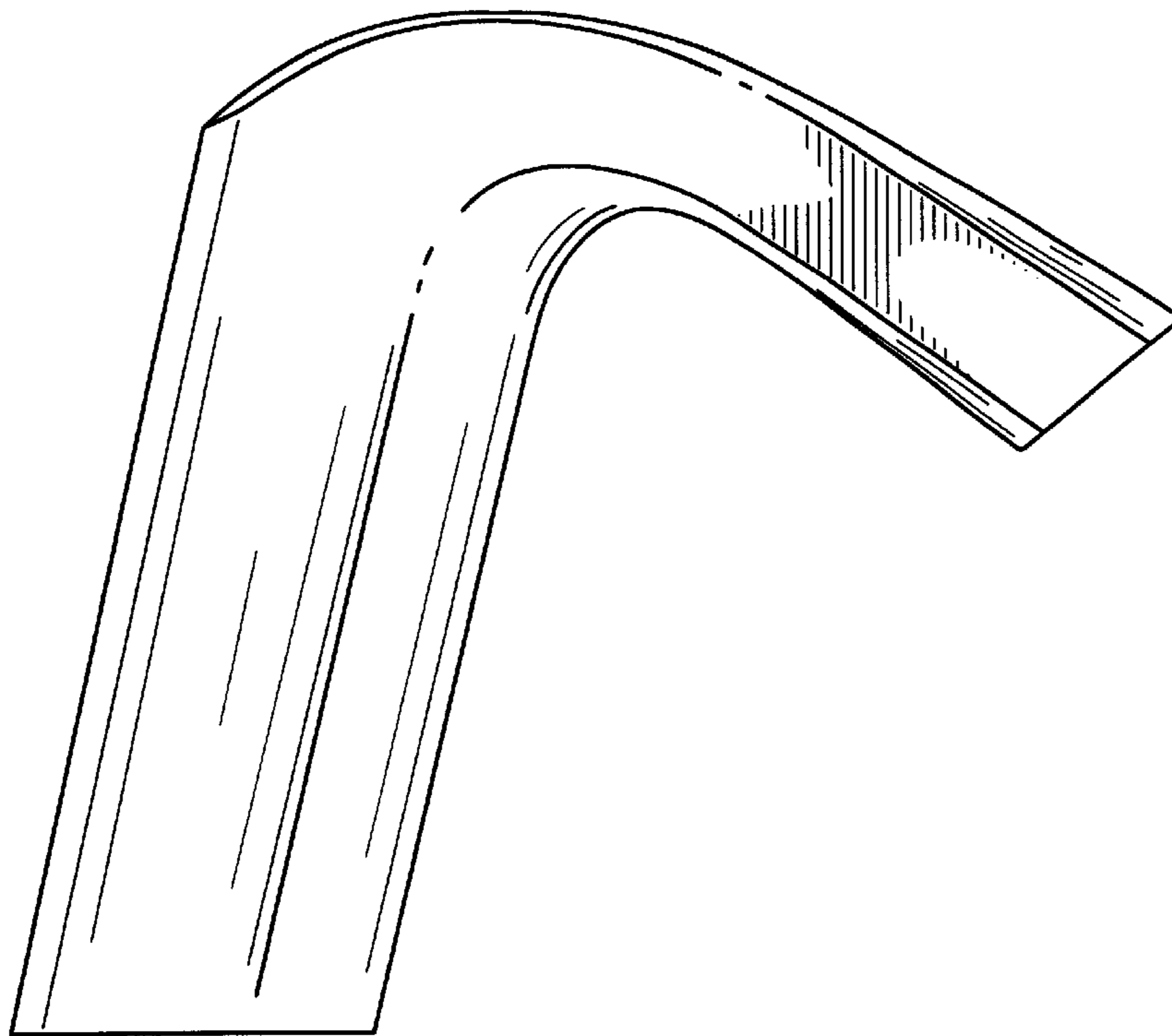


FIG. 4

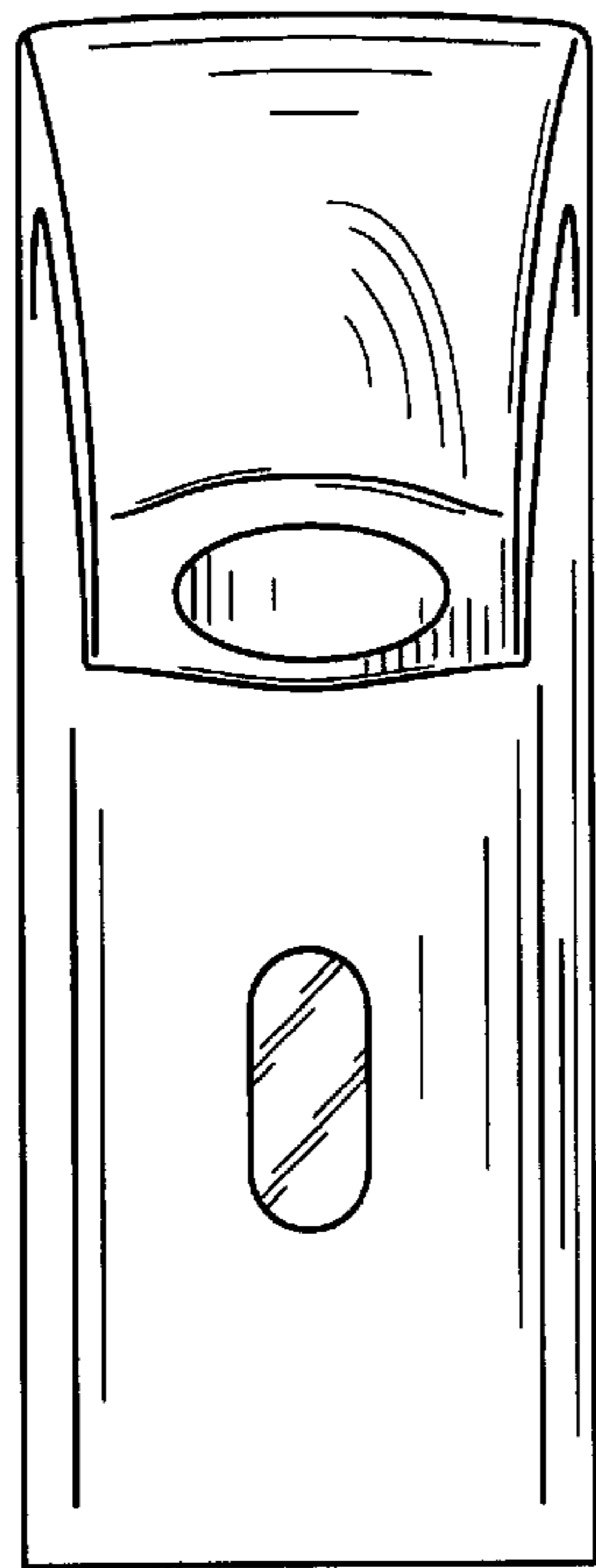


FIG. 5

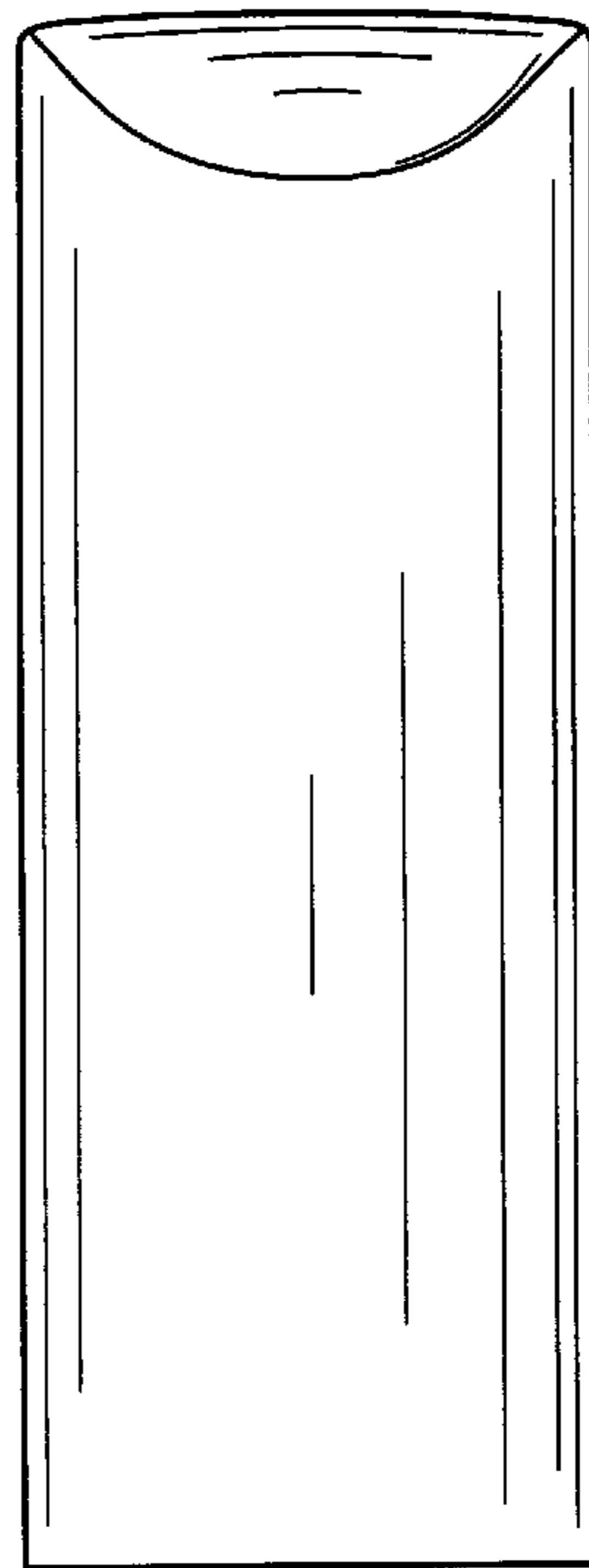


FIG. 6