



US00D541905S

(12) **United States Design Patent**
Yajima et al.

(10) **Patent No.:** **US D541,905 S**

(45) **Date of Patent:** **** May 1, 2007**

(54) **VALVE**

(75) Inventors: **Takashi Yajima**, Kasugai (JP);
Katsunori Hirose, Kasugai (JP)

(73) Assignee: **CKD Corporation**, Aichi (JP)

(**) Term: **14 Years**

(21) Appl. No.: **29/258,286**

(22) Filed: **Apr. 20, 2006**

D298,962 S	12/1988	Bruninga	
D317,248 S	6/1991	Poe	
D368,130 S	* 3/1996	Itafuji D23/233
D427,284 S	6/2000	Sato et al.	
D428,113 S	7/2000	Russo	
D452,134 S	12/2001	Johns	
D457,804 S	5/2002	Sawajiri et al.	
D463,011 S	9/2002	Hirose et al.	
6,622,536 B1	9/2003	Fuller et al.	
6,648,006 B1	* 11/2003	Ostergaard 137/241
6,782,724 B2	8/2004	Kelly	
D504,715 S	* 5/2005	Hagihara D23/235
D511,369 S	11/2005	Croft	

Related U.S. Application Data

(62) Division of application No. 29/207,935, filed on Jun. 22, 2004, now Pat. No. Des. 527,073.

(30) **Foreign Application Priority Data**

Apr. 2, 2004	(JP)	2004-010348
Apr. 2, 2004	(JP)	2004-010349
Apr. 2, 2004	(JP)	2004-010350
Apr. 2, 2004	(JP)	2004-010351

(51) **LOC (8) Cl.** **23-01**

(52) **U.S. Cl.** **D23/233**

(58) **Field of Classification Search** D23/233-237,
D23/244-249; 137/625.25, 353, 505, 505.42,
137/614.19, 116.3; 251/288, 337, 338, 238,
251/215, 216, 218

See application file for complete search history.

(56) **References Cited**

U.S. PATENT DOCUMENTS

363,422 A	*	5/1887	Royle	137/116.3
,730,593 A		6/1903	Ashmusen		
1,752,667 A		4/1930	Hutchings		
2,708,563 A	*	5/1955	Backman et al.	251/215

FOREIGN PATENT DOCUMENTS

JP	1206836	5/2004
JP	1206837	5/2004
JP	1207075	5/2004

* cited by examiner

Primary Examiner—Ian Simmons

Assistant Examiner—Maurice Stevens

(74) *Attorney, Agent, or Firm*—Banner & Witcoff, Ltd.

(57) **CLAIM**

The ornamental design for a valve, as shown and described.

DESCRIPTION

FIG. 1 is a perspective view of a valve according to the present invention;

FIG. 2 is a front view thereof;

FIG. 3 is a rear view thereof;

FIG. 4 is a top plan view thereof;

FIG. 5 is a bottom plan view thereof;

FIG. 6 is a right side elevational view thereof; and,

FIG. 7 is a left side elevational view thereof.

1 Claim, 3 Drawing Sheets

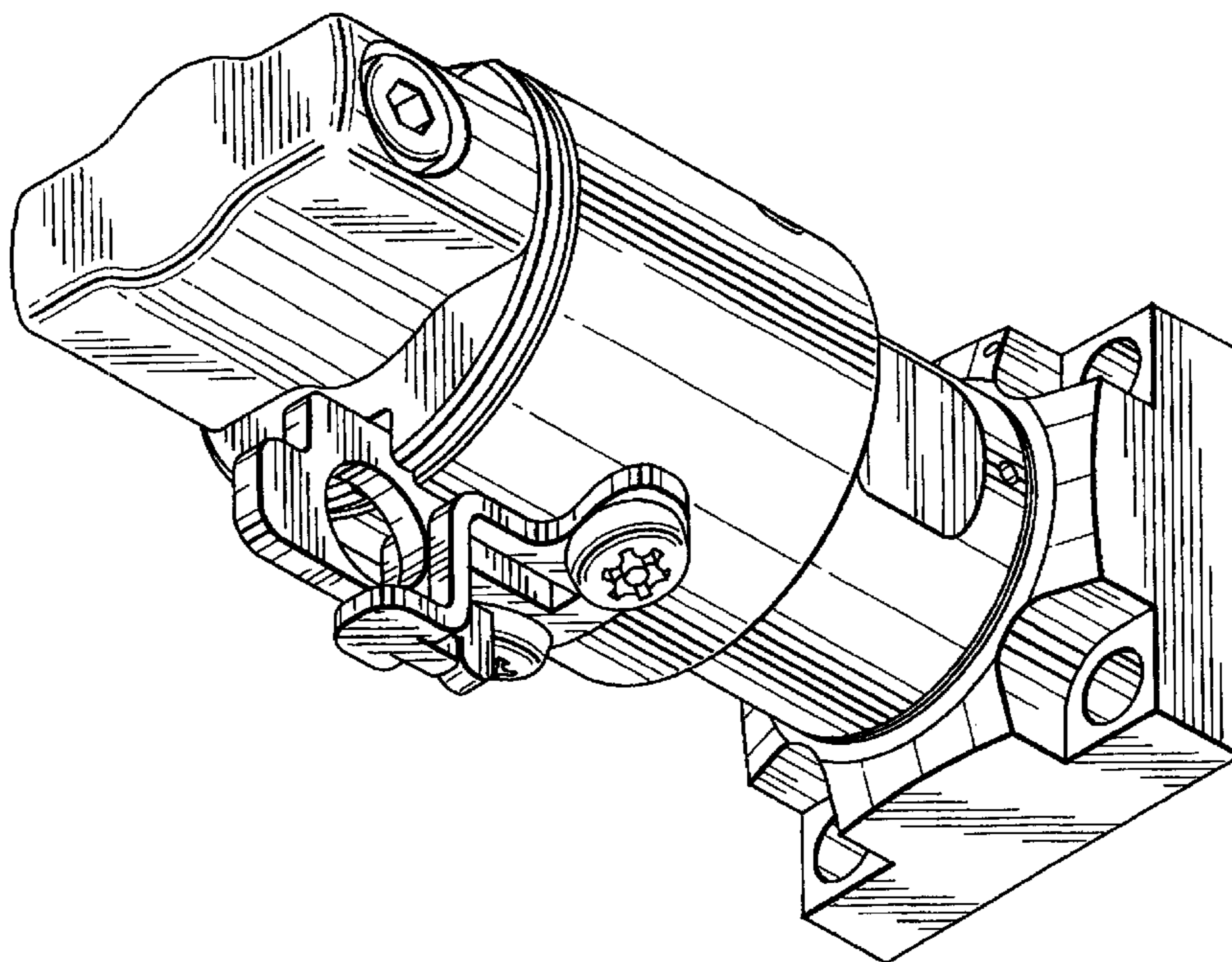


FIG. 1

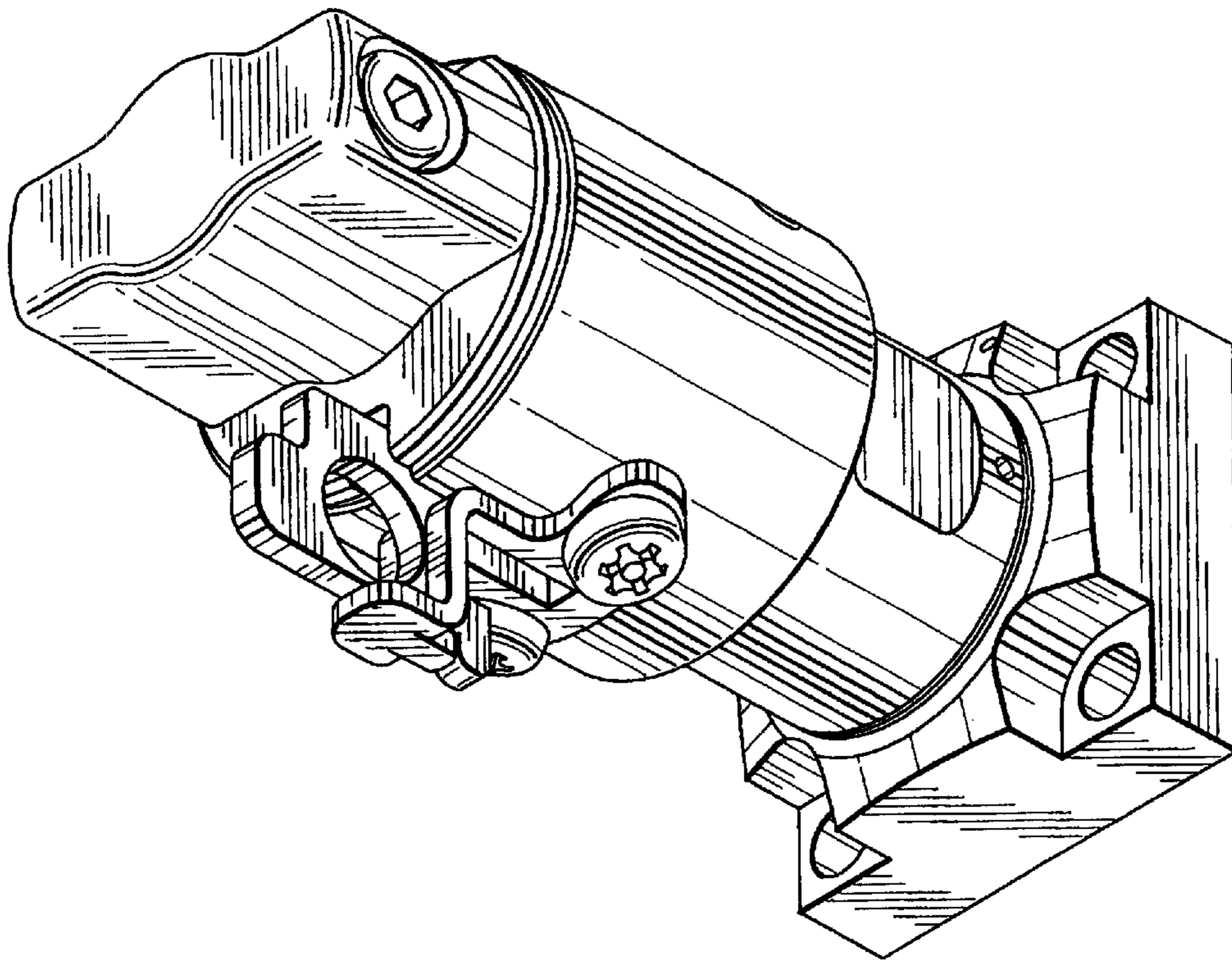


FIG. 2

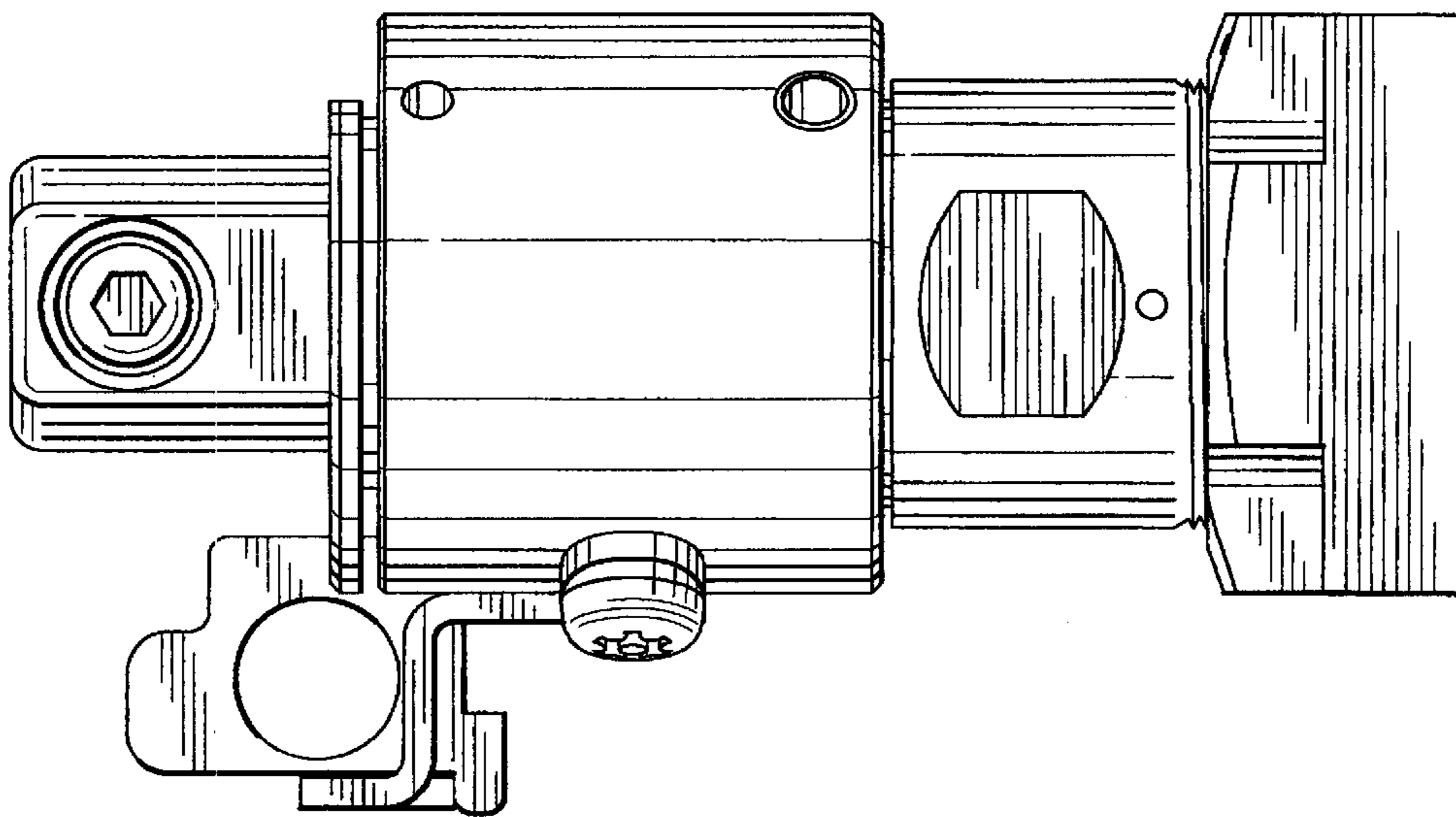


FIG. 3

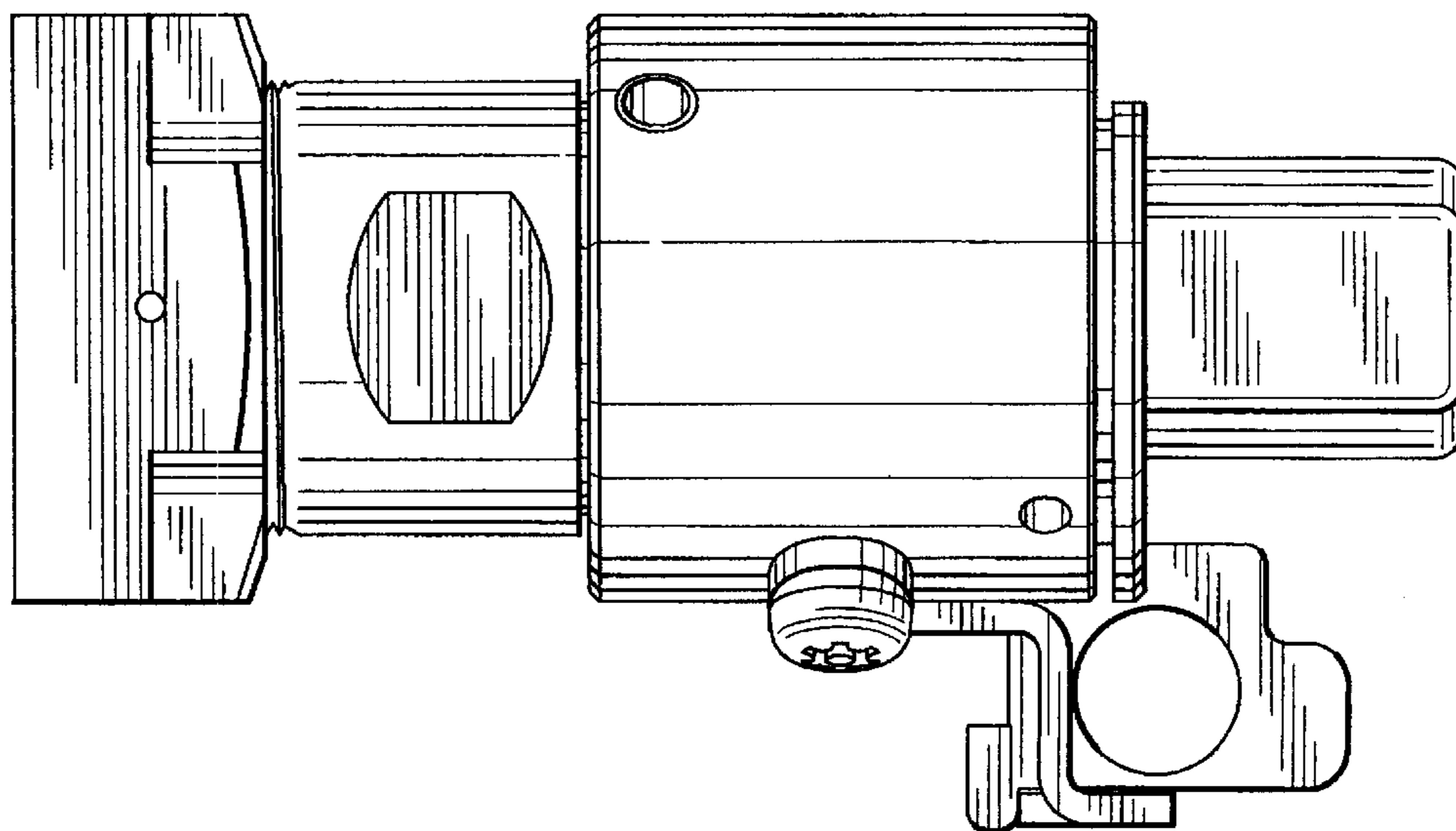


FIG. 4

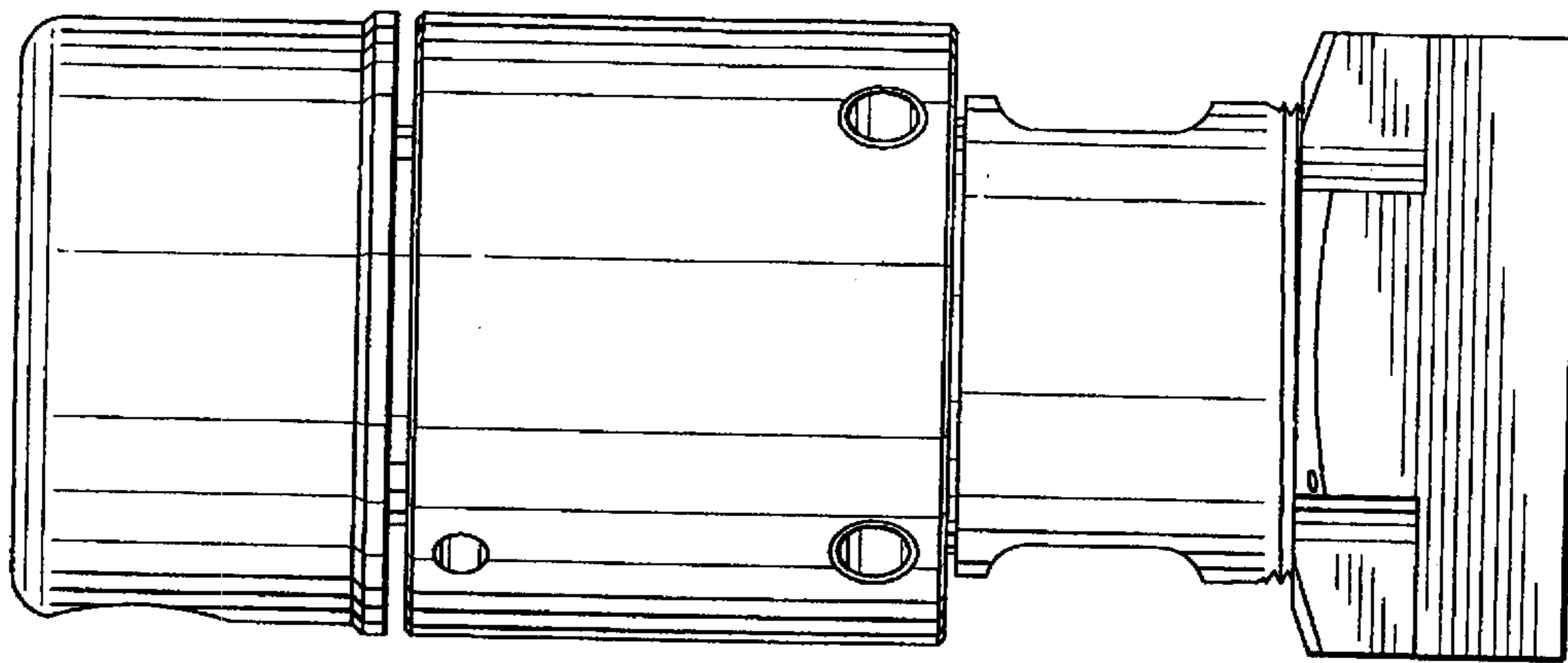


FIG. 5

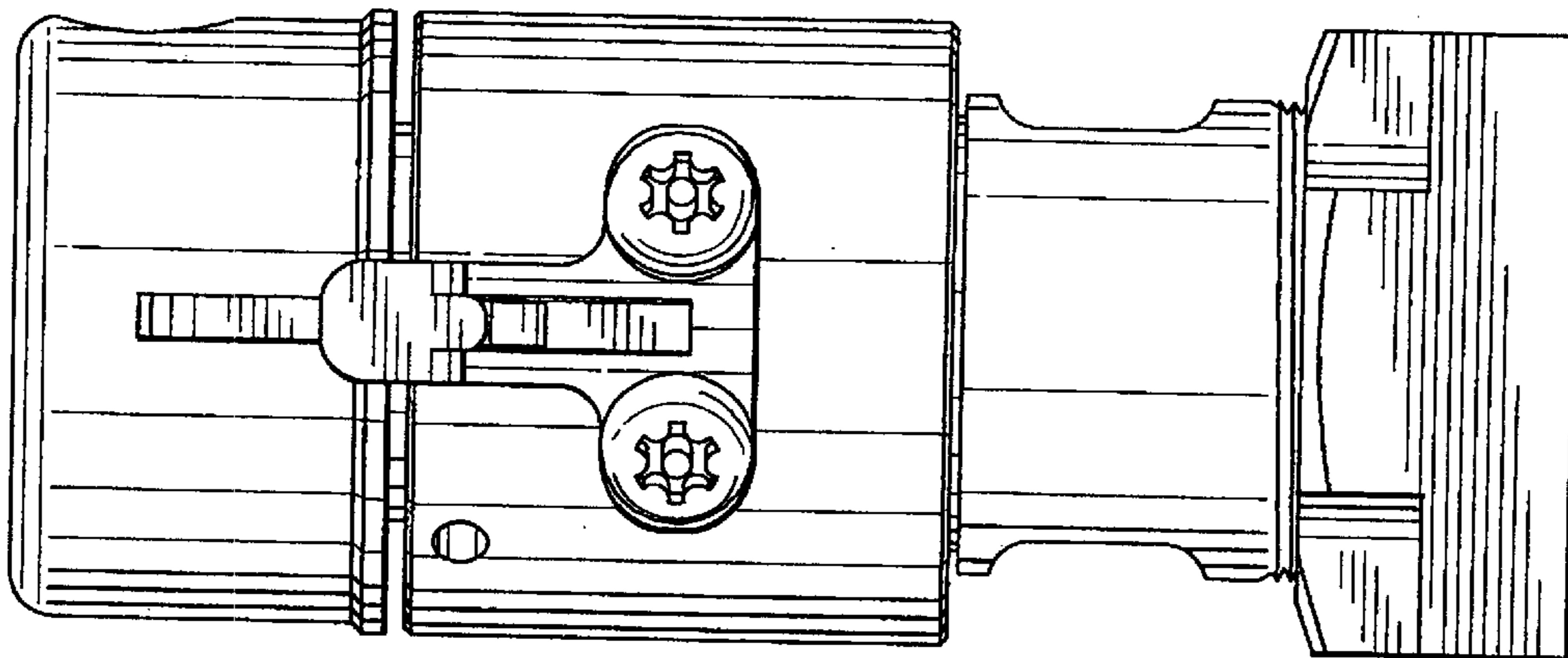


FIG. 6

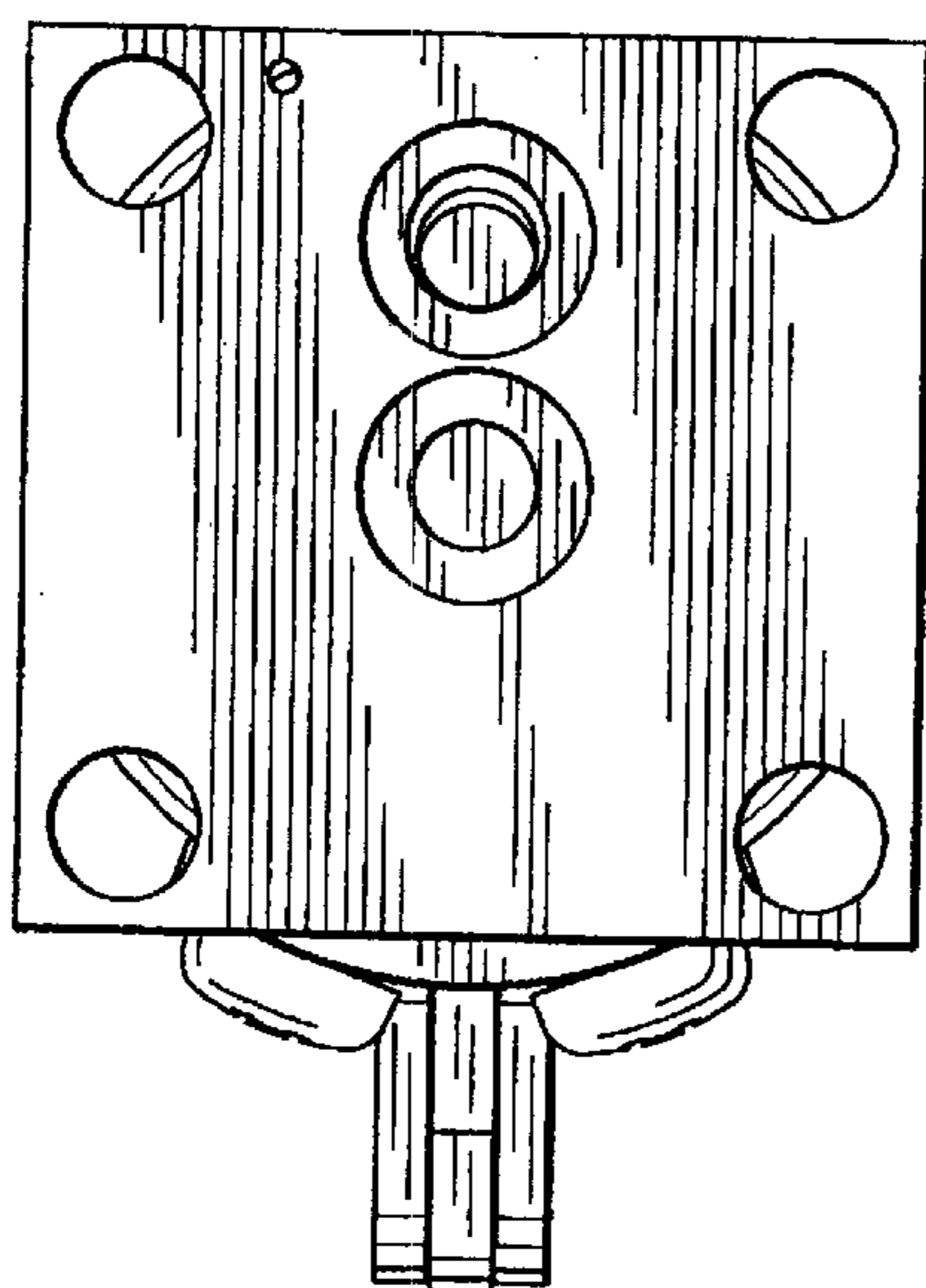


FIG. 7

