

US00D541904S

(12) **United States Design Patent**
Dingler et al.

(10) **Patent No.:** **US D541,904 S**

(45) **Date of Patent:** **** May 1, 2007**

(54) **SHOWERHEAD**

(75) Inventors: **Noah Dingler**, Waterford, MI (US);
Michael Miller, Portage, MI (US);
Kristen Swope, Homer, MI (US);
Dominic Dauntes, Howell, MI (US)

(73) Assignee: **Alsons Corporation**, Hillsdale, MI (US)

(**) Term: **14 Years**

(21) Appl. No.: **29/230,912**

(22) Filed: **May 27, 2005**

(51) **LOC (8) Cl.** **23-01**

(52) **U.S. Cl.** **D23/229**

(58) **Field of Classification Search** D23/213,
D23/223, 226, 229-30; 239/282-3
See application file for complete search history.

(56) **References Cited**

U.S. PATENT DOCUMENTS

D408,499 S * 4/1999 Marshall D23/229

D408,891 S * 4/1999 Marshall D23/229
D410,996 S * 6/1999 Ben-Tsur D23/229
D502,988 S * 3/2005 Wu D23/229
D507,037 S * 7/2005 Wu D23/229
D509,281 S * 9/2005 Berghane et al. D23/229

* cited by examiner

Primary Examiner—Robin Webster

(74) *Attorney, Agent, or Firm*—Edgar A. Zarins; Lloyd D. Doigan

(57) **CLAIM**

The ornamental design for a showerhead, as shown and described.

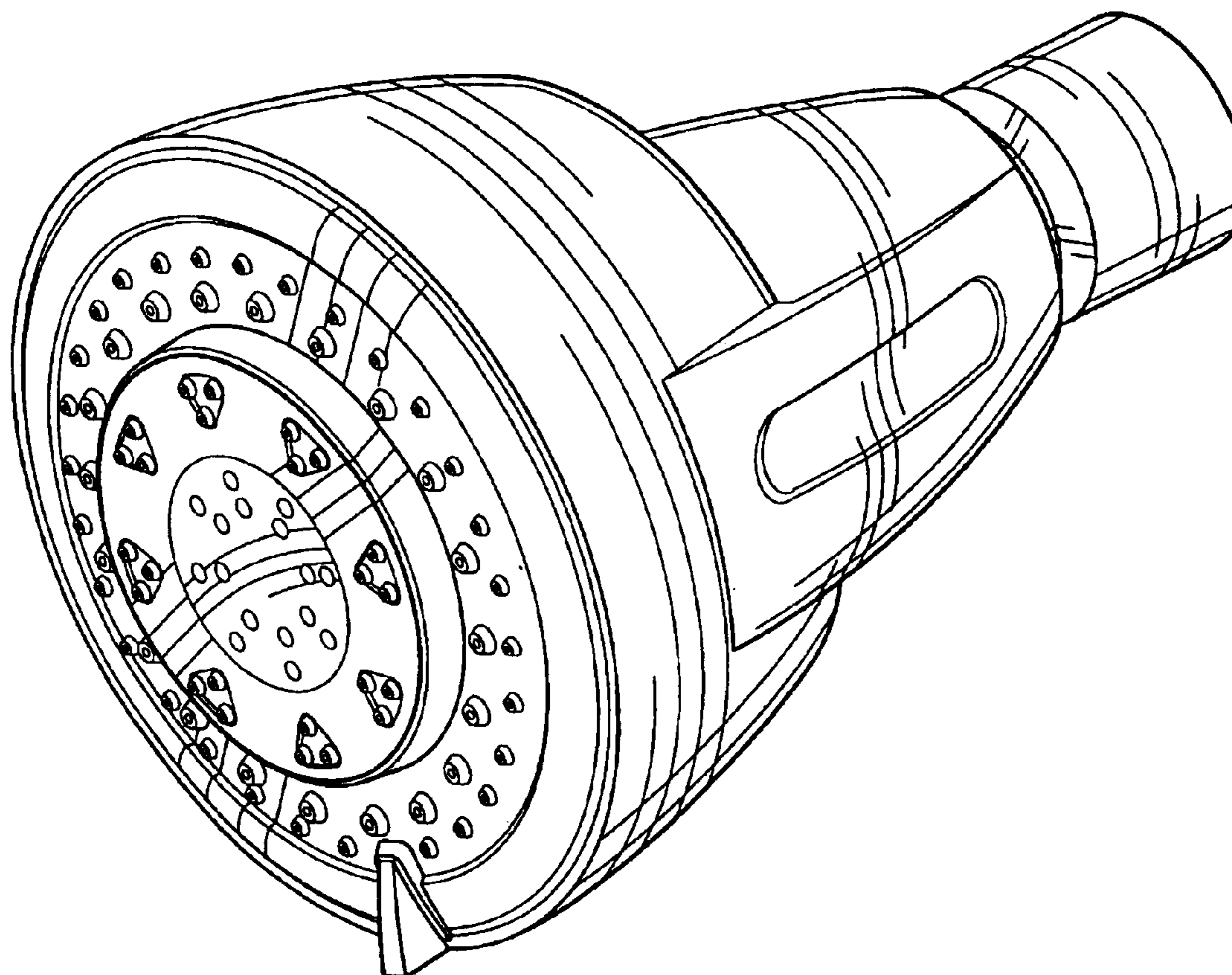
DESCRIPTION

FIG. 1 is a perspective view of a showerhead showing our new design;

FIG. 2 is a first side view thereof; and,

FIG. 3 is a second side view thereof.

1 Claim, 2 Drawing Sheets



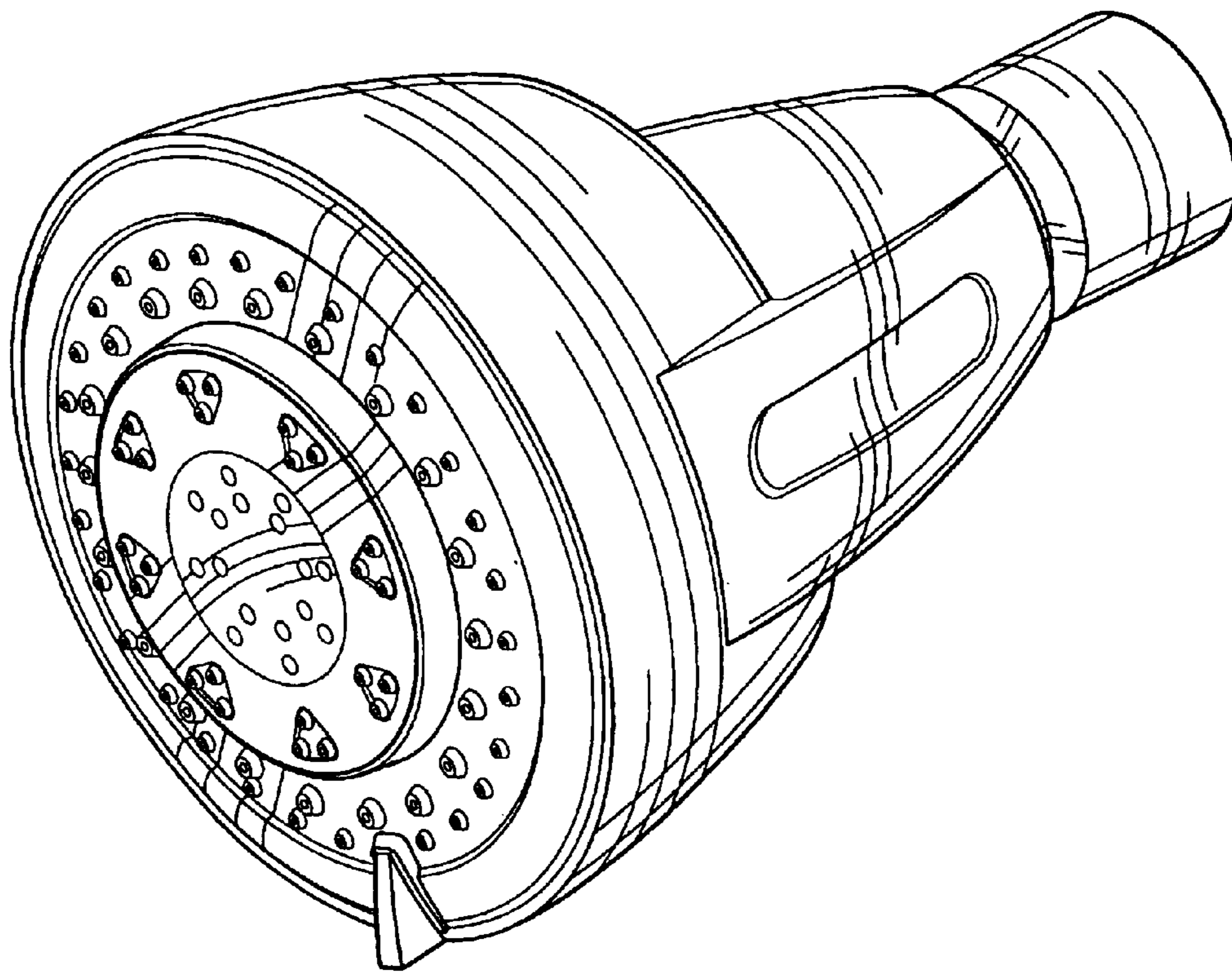


Fig-1

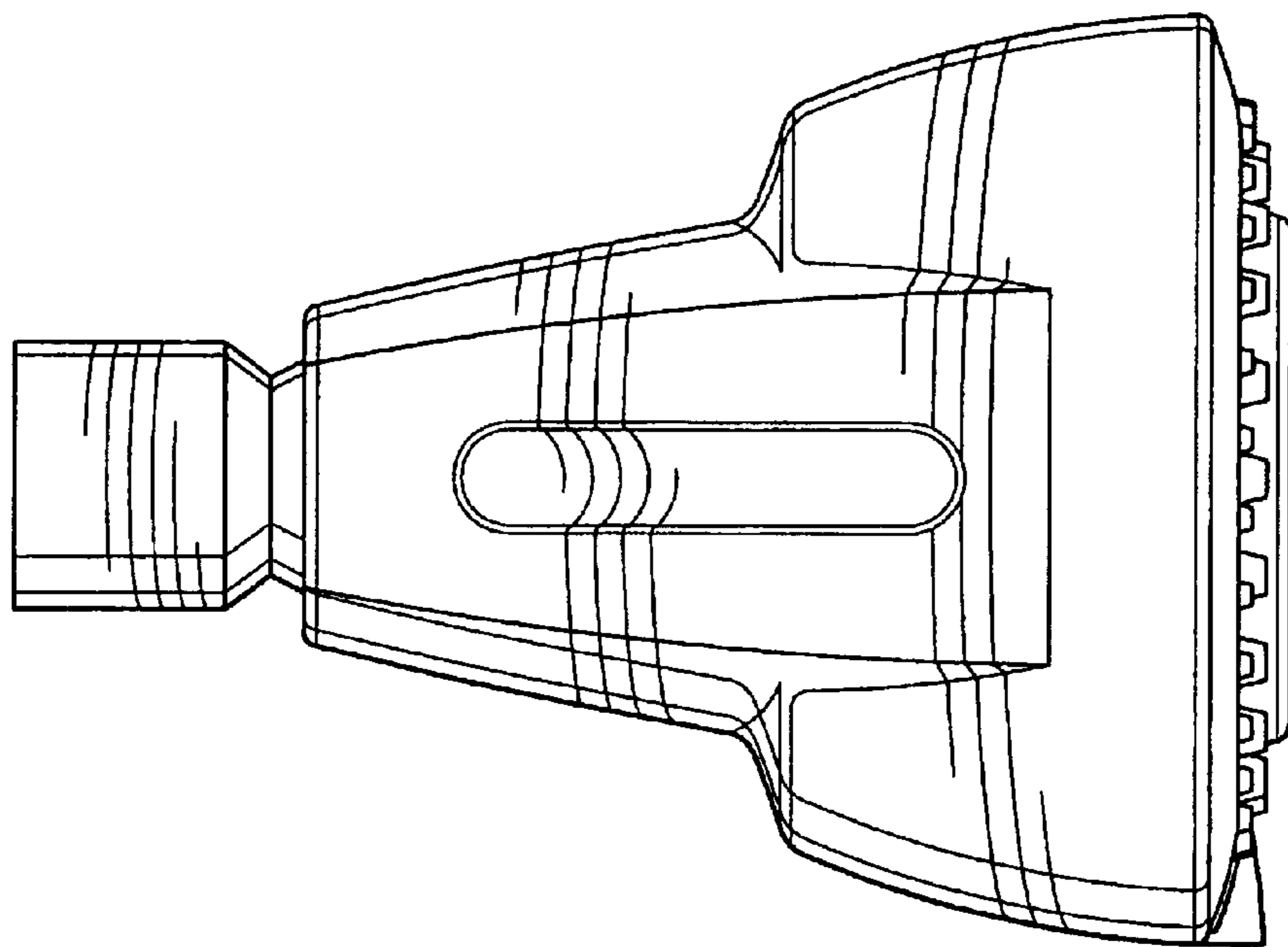


Fig-2

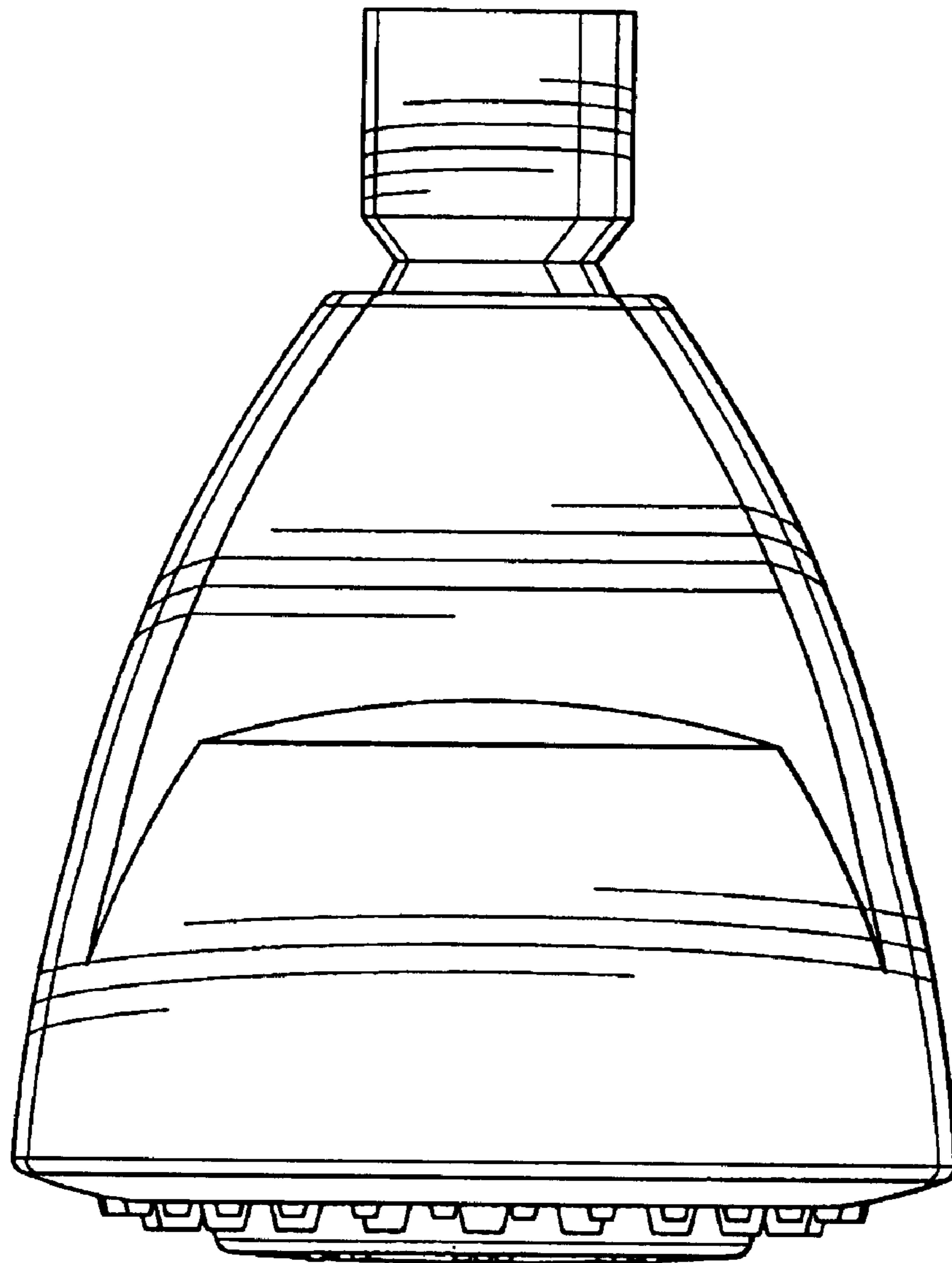


Fig-3