

US00D541903S

(12) **United States Design Patent**
Hopper

(10) **Patent No.:** **US D541,903 S**

(45) **Date of Patent:** **** May 1, 2007**

(54) **TANNING SPRAY KIT**
(75) Inventor: **Timothy George Hopper**, Surrey (GB)
(73) Assignee: **Earlex Limited**, Buildford, Surrey (GB)
(**) Term: **14 Years**

D341,186 S * 11/1993 Albers D23/226
5,307,994 A * 5/1994 Hieronymus 239/340
6,010,082 A * 1/2000 Peterson 239/346
D479,305 S * 9/2003 Zittel et al. D23/226
D511,861 S * 11/2005 Fernandez D28/7

* cited by examiner

Primary Examiner—Robin Webster

(74) *Attorney, Agent, or Firm*—Alfred A. Fressola; Ware, Fressola, Van Der Sluys & Adolphson LLP

(21) Appl. No.: **29/227,289**
(22) Filed: **Apr. 8, 2005**

(30) **Foreign Application Priority Data**

Oct. 18, 2004 (GB) 3019116

(51) **LOC (8) Cl.** **23-01**

(52) **U.S. Cl.** **D23/226; D23/225; D28/7**

(58) **Field of Classification Search** D23/213,
D23/223, 226, 225; 239/525–6, 302, 308,
239/353, 355, 310; D28/7

See application file for complete search history.

(56) **References Cited**

U.S. PATENT DOCUMENTS

1,834,683 A * 12/1931 Custer 239/353
3,880,356 A * 4/1975 Chandler 239/308

(57) **CLAIM**

The ornamental design for the tanning spray kit, as shown and described.

DESCRIPTION

FIG. 1 is a exploded perspective side view of the tanning spray kit showing my new design;
FIG. 2 is a top view of the tanning spray kit;
FIG. 3 is a left view of the tanning spray kit;
FIG. 4 is a front view of the tanning spray kit;
FIG. 5 is another exploded perspective view from the other side of the tanning spray kit; and,
FIG. 6 is a back view of the tanning spray kit.

1 Claim, 4 Drawing Sheets

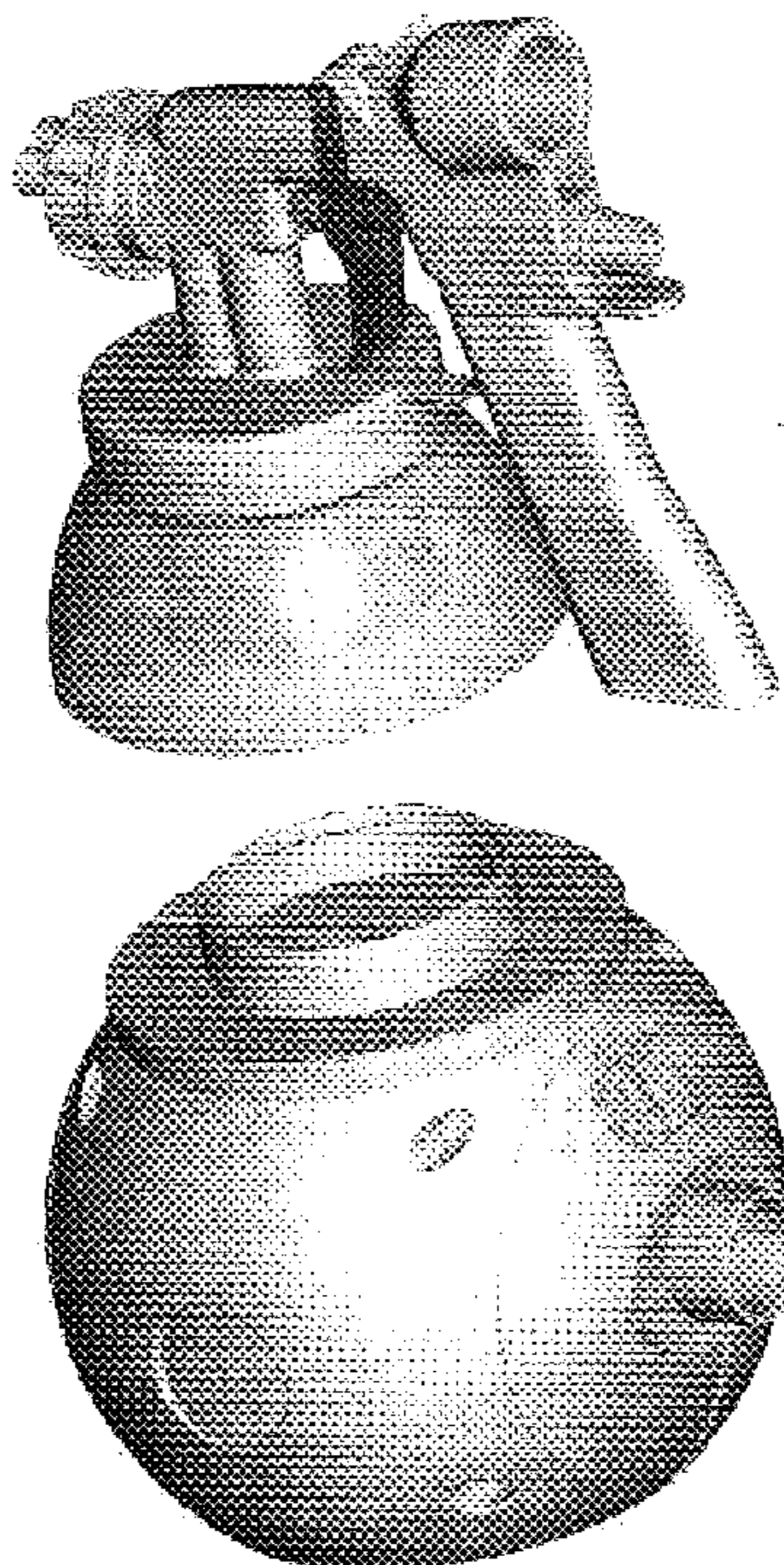
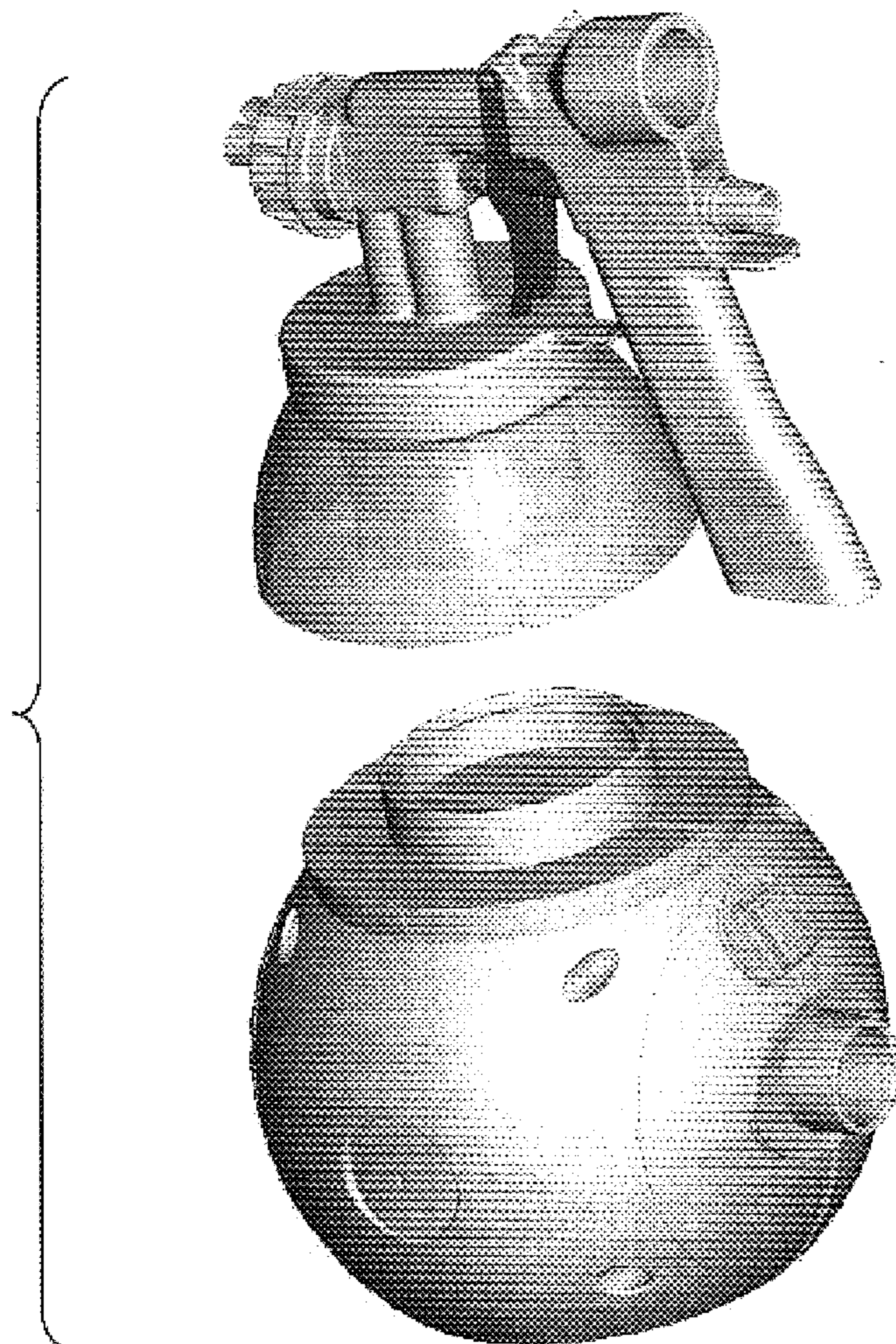


FIG. 1



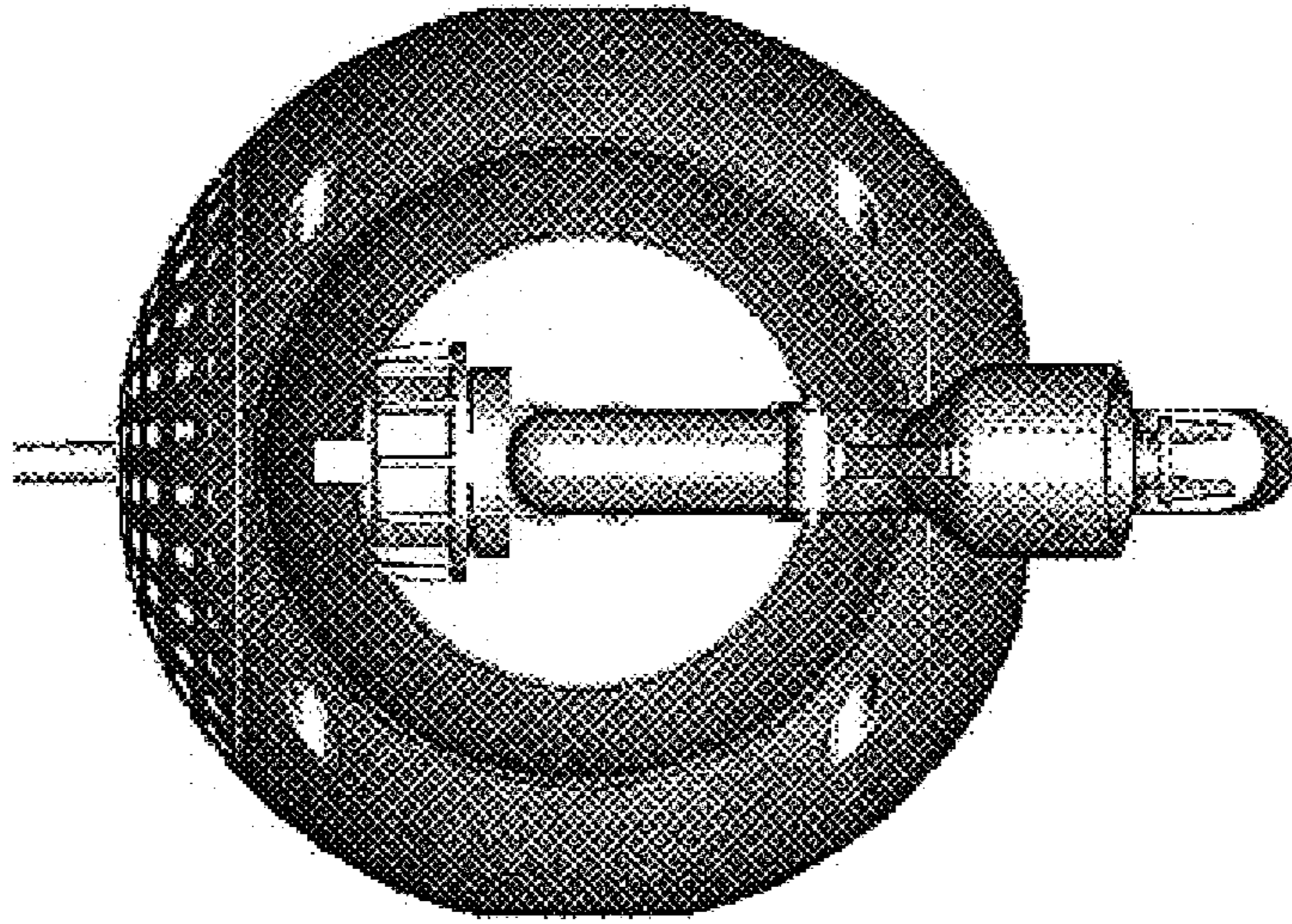


FIG. 2

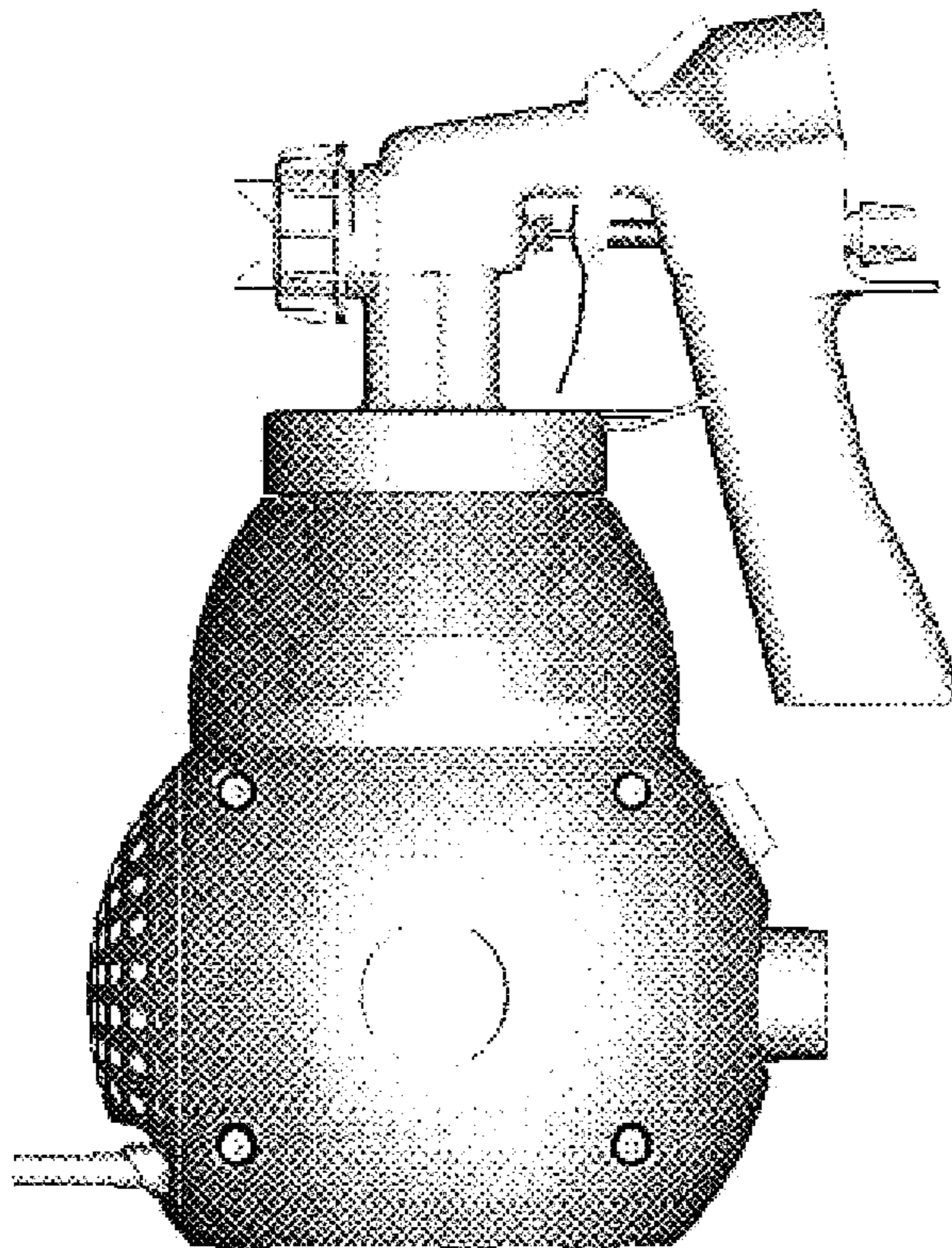


FIG. 3

FIG. 4

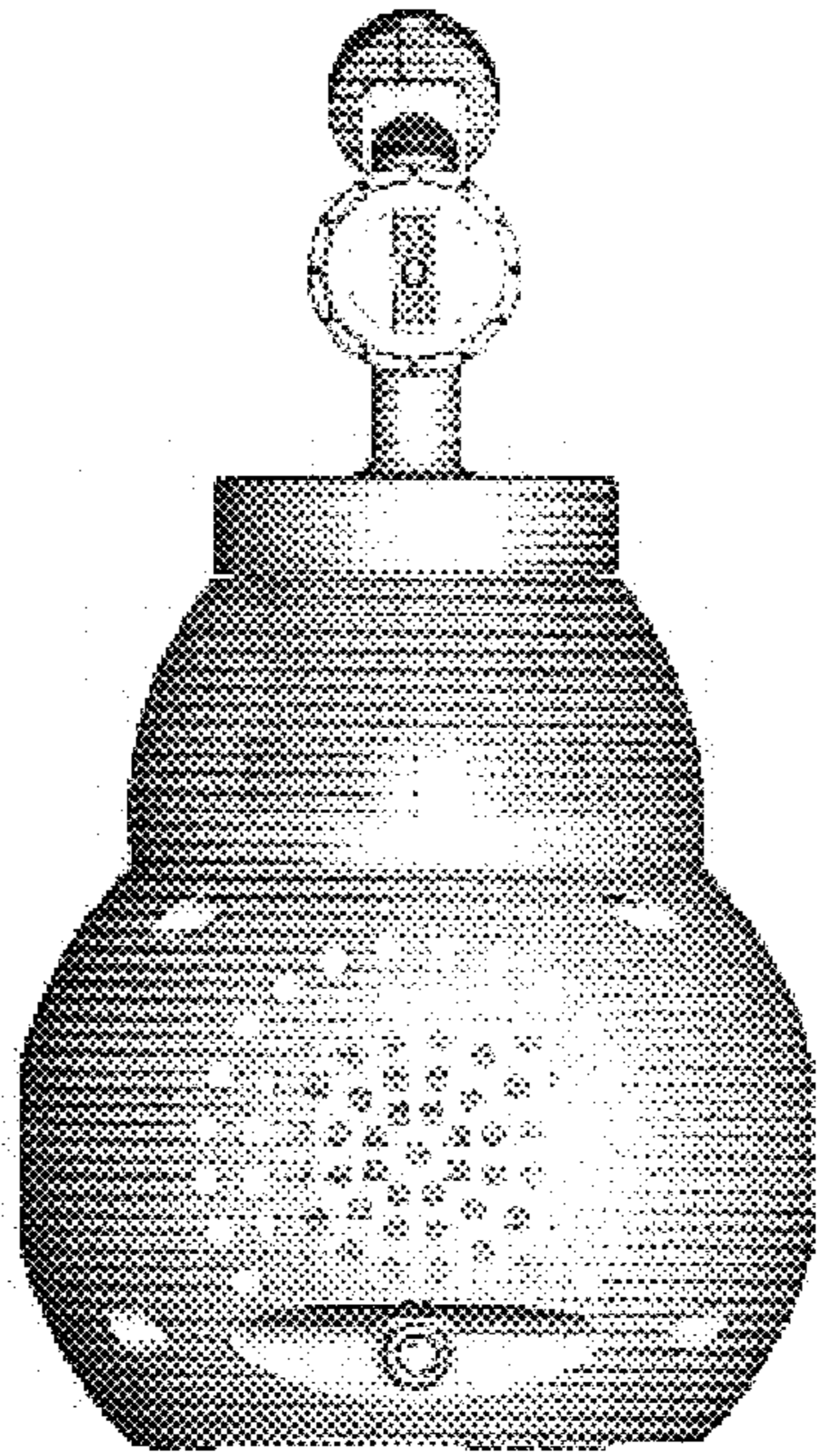
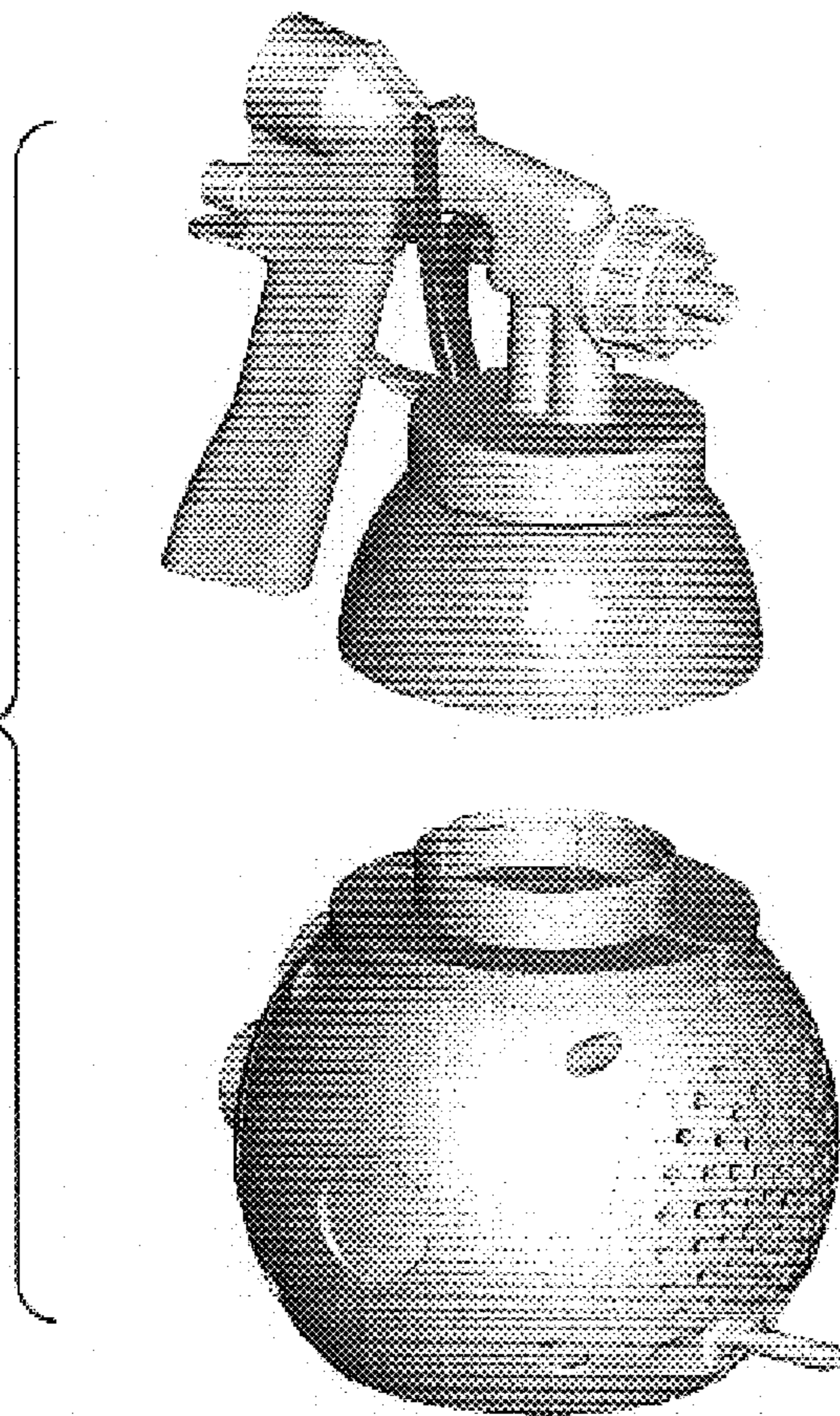


FIG. 5



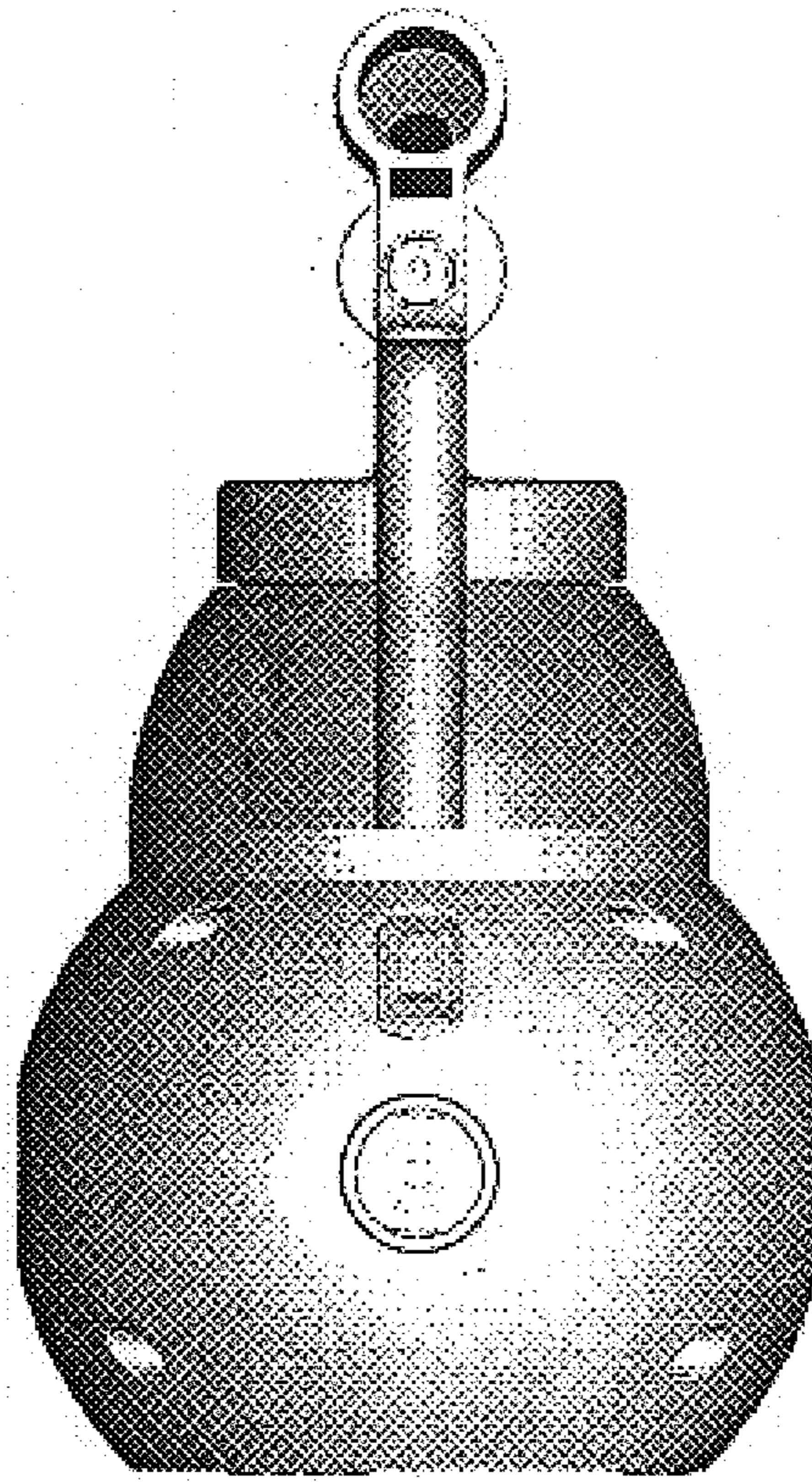


FIG. 6