



US00D541897S

(12) **United States Design Patent** (10) **Patent No.:** **US D541,897 S**  
**Warren et al.** (45) **Date of Patent:** **\*\* May 1, 2007**

(54) **GUN SIGHT FOR A HANDGUN**  
(76) Inventors: **Scott M. Warren**, 15702 Beacon Ct.,  
Montclair, VA (US) 22026; **David J. Seigny**, 5671 Wandering Vine La.,  
Mableton, GA (US) 30126  
(\*\*) Term: **14 Years**

D435,282 S 12/2000 Ling, Jr.  
D435,625 S 12/2000 Ling, Jr.  
D436,393 S 1/2001 Ling, Jr.  
6,216,351 B1 4/2001 Flubacher et al.  
6,230,414 B1 \* 5/2001 Glock ..... 42/139  
D447,205 S \* 8/2001 Keng ..... D22/109  
D447,206 S 8/2001 Ling, Jr.  
D492,747 S 7/2004 LoRocco  
6,834,457 B1 \* 12/2004 Warren ..... 42/141

(21) Appl. No.: **29/240,485**

(22) Filed: **Oct. 13, 2005**

(51) **LOC (8) Cl.** ..... **22-01**  
(52) **U.S. Cl.** ..... **D22/109; D22/110**  
(58) **Field of Classification Search** ..... D22/100,  
D22/108-110, 199; 42/111-113, 124, 134-145;  
89/161, 41.19, 200-204; 33/227  
See application file for complete search history.

**OTHER PUBLICATIONS**

*Wilson Combat* 2001 Master Catalog, cover and selected pp. 71-73.

\* cited by examiner

*Primary Examiner*—Stella Reid  
*Assistant Examiner*—Melanie Levy  
(74) *Attorney, Agent, or Firm*—Fay Sharpe LLP

(56) **References Cited**

**U.S. PATENT DOCUMENTS**

1,363,553 A 12/1920 Barringer  
D273,217 S 3/1984 Swenson  
D296,227 S 6/1988 Novak  
D301,512 S 6/1989 Novak  
D305,146 S 12/1989 Novak  
D305,561 S 1/1990 Novak  
D315,776 S 3/1991 Novak  
D351,449 S 10/1994 Dagley  
D352,087 S 11/1994 Stevens et al.  
D361,366 S \* 8/1995 Emerson ..... D22/109  
D363,334 S \* 10/1995 De Oliveira Masina ... D22/109  
5,822,872 A 10/1998 Waki  
D403,734 S 1/1999 Kay  
D407,788 S 4/1999 Kay  
6,035,539 A 3/2000 Hollenbach et al.  
D428,102 S \* 7/2000 Flubacher et al. .... D22/109  
D432,618 S 10/2000 Wilson  
D435,080 S 12/2000 Ling, Jr.

(57) **CLAIM**

The ornamental design for a gun sight for a handgun, as shown and described.

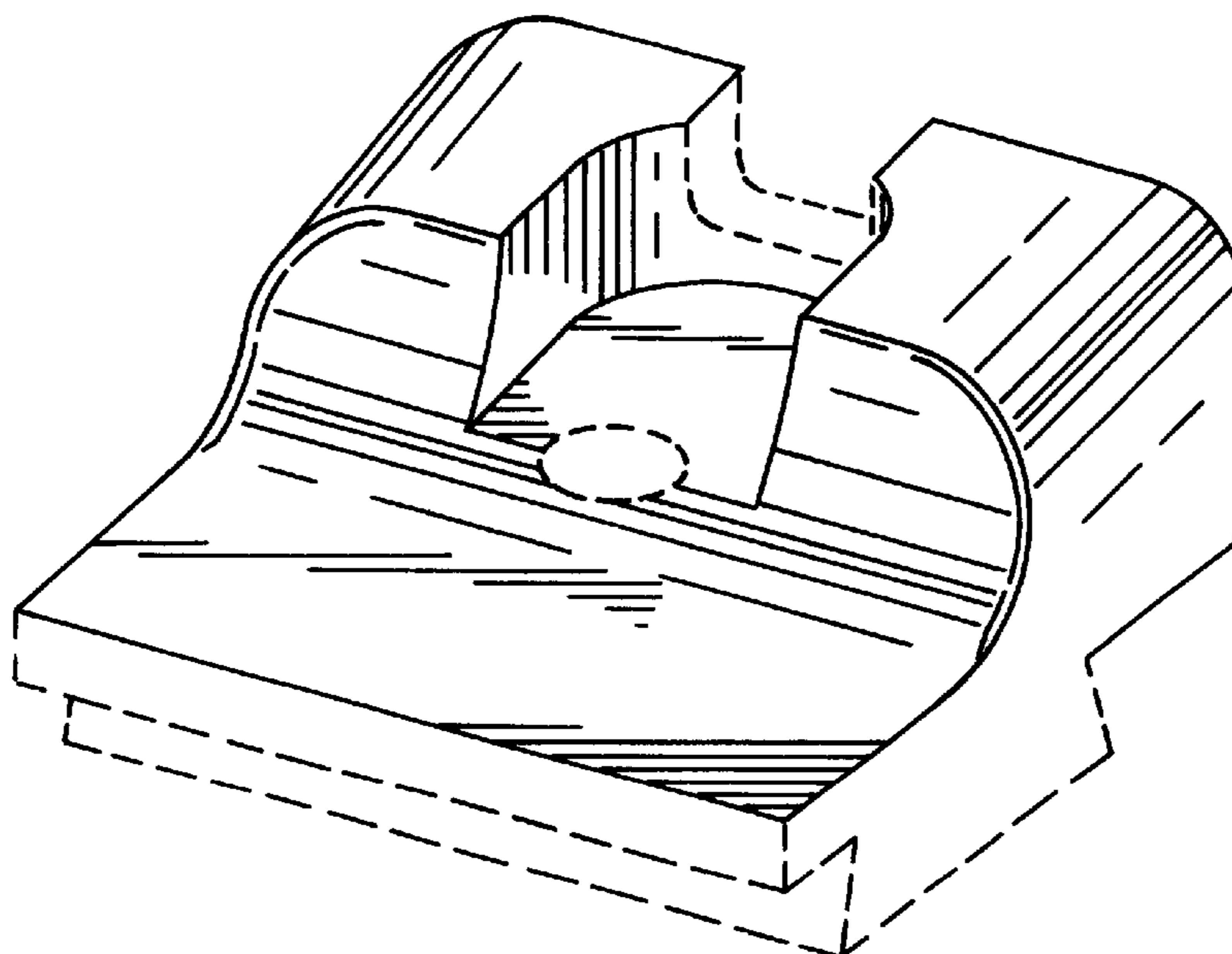
**DESCRIPTION**

FIG. 1 is a front perspective view of a rear gun sight according to the present invention showing our new design; FIG. 2 is a top plan view thereof; FIG. 3 is a rear elevational view thereof; FIG. 4 is a right-side elevational view thereof looking at the sight from the front, the left-side elevational view being a mirror image of the right side; and, FIG. 5 is a front elevational view thereof.

The bottom side has no ornamentation and therefore is not shown.

The broken lines are for illustrative purposes only and form no part of the claimed design.

**1 Claim, 2 Drawing Sheets**



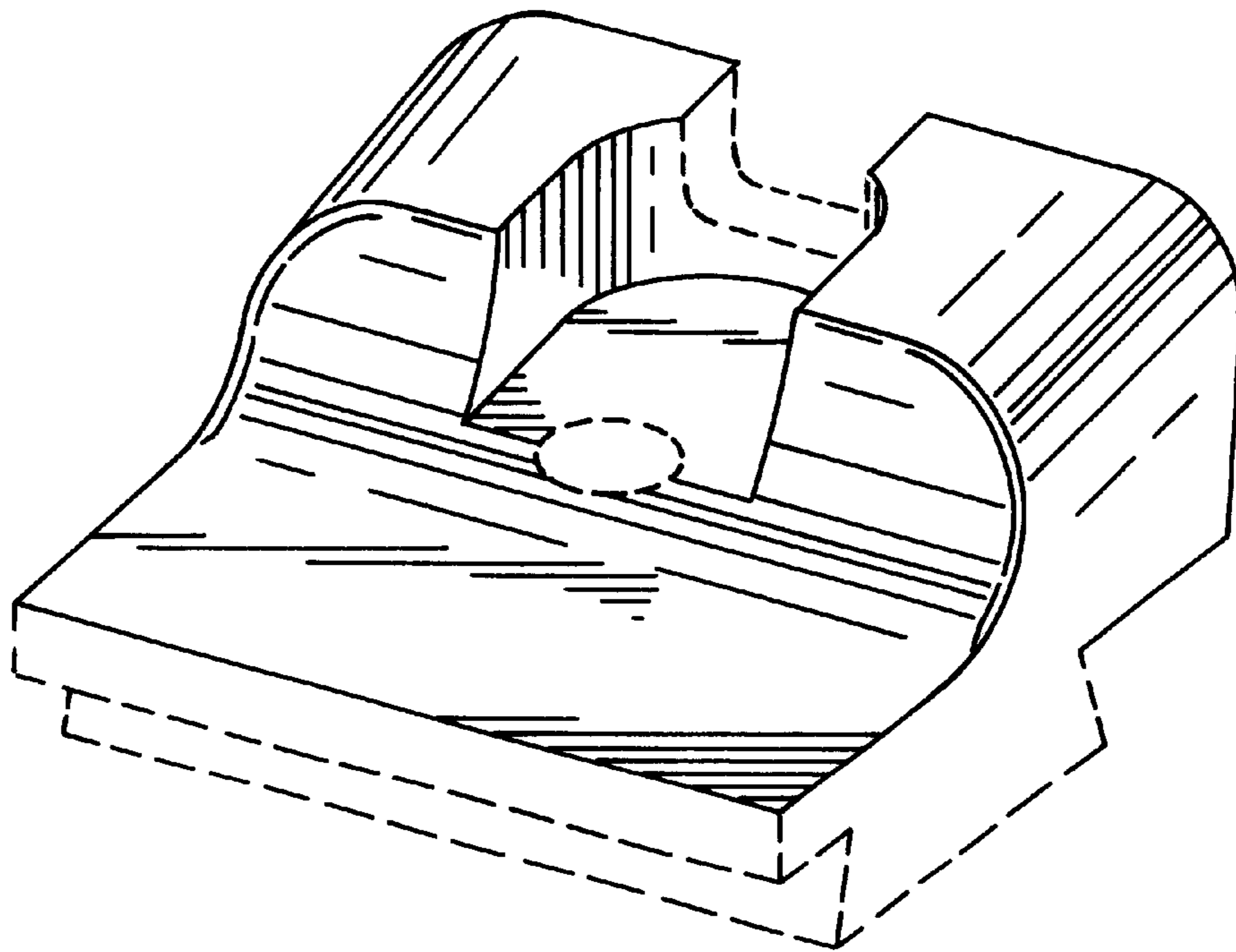


FIG. 1

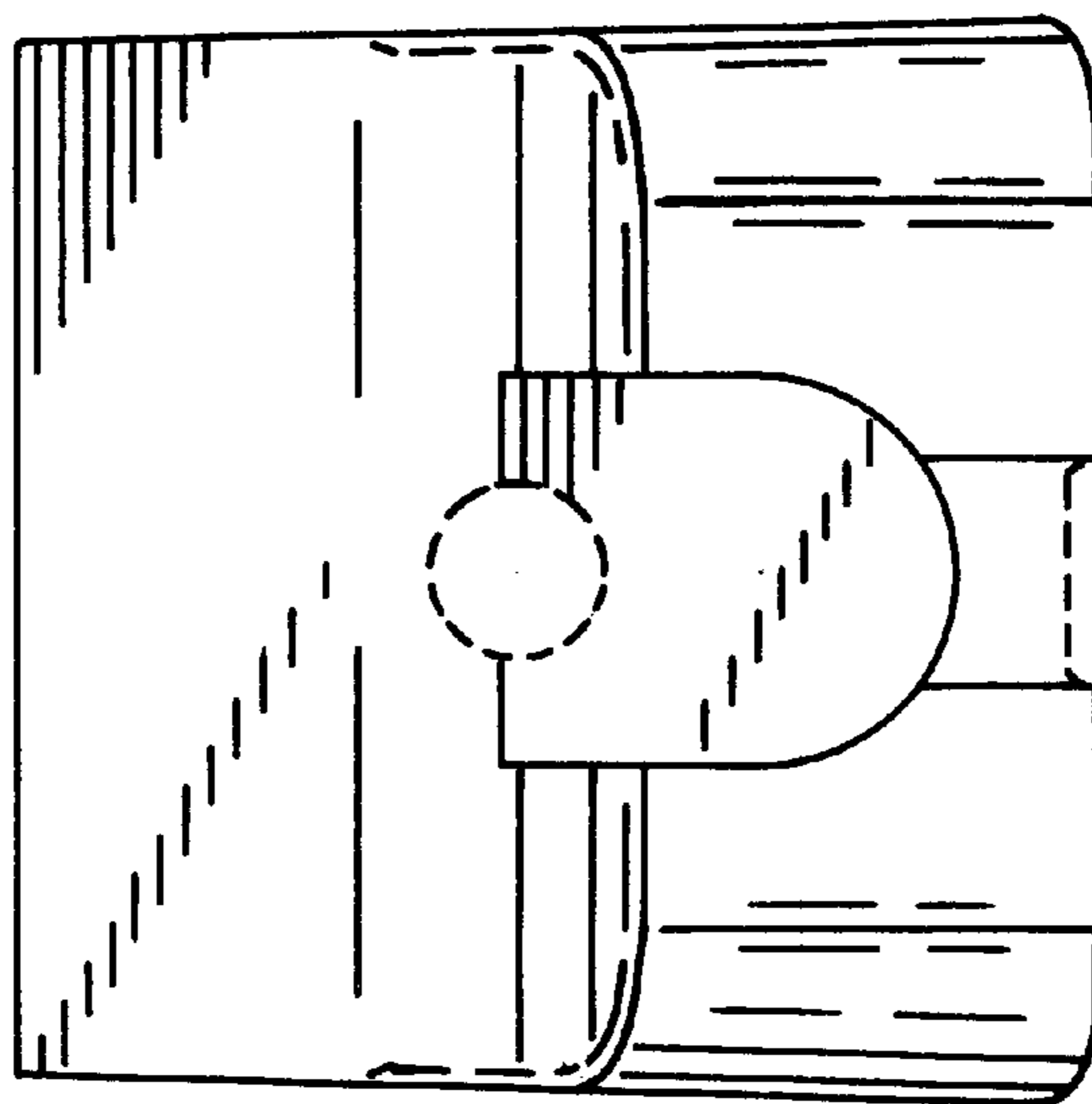


FIG. 2

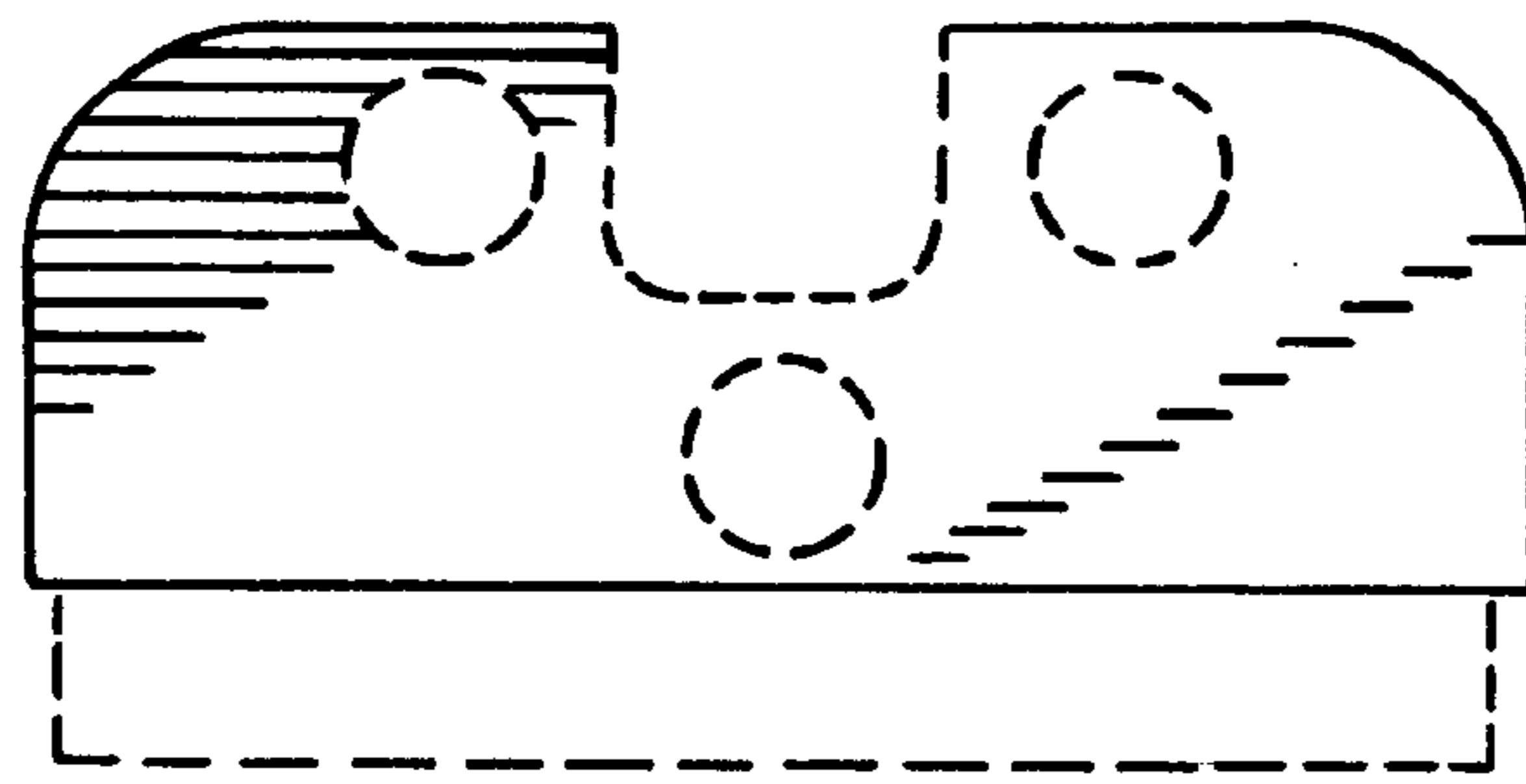


FIG. 3

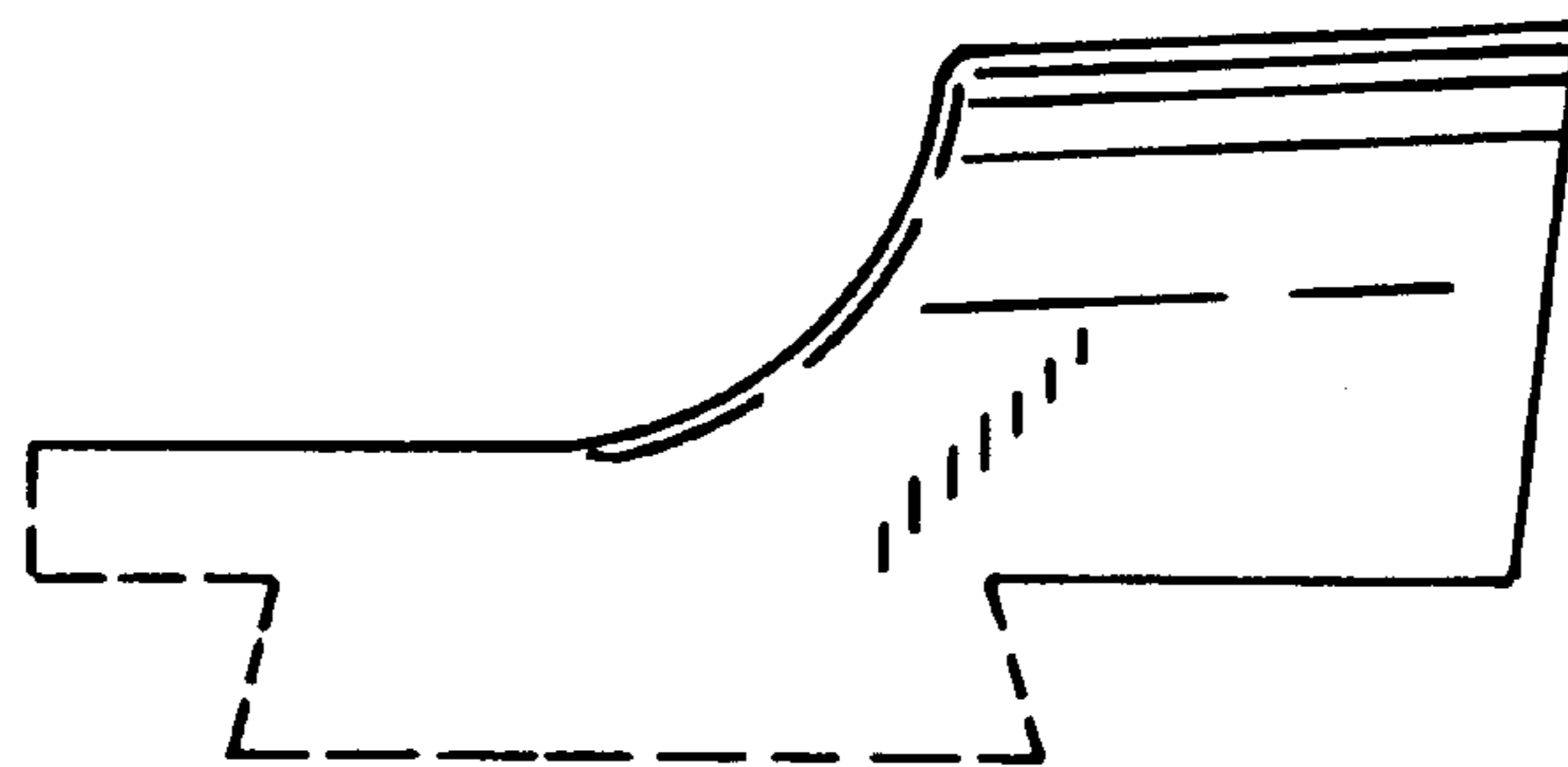


FIG. 4

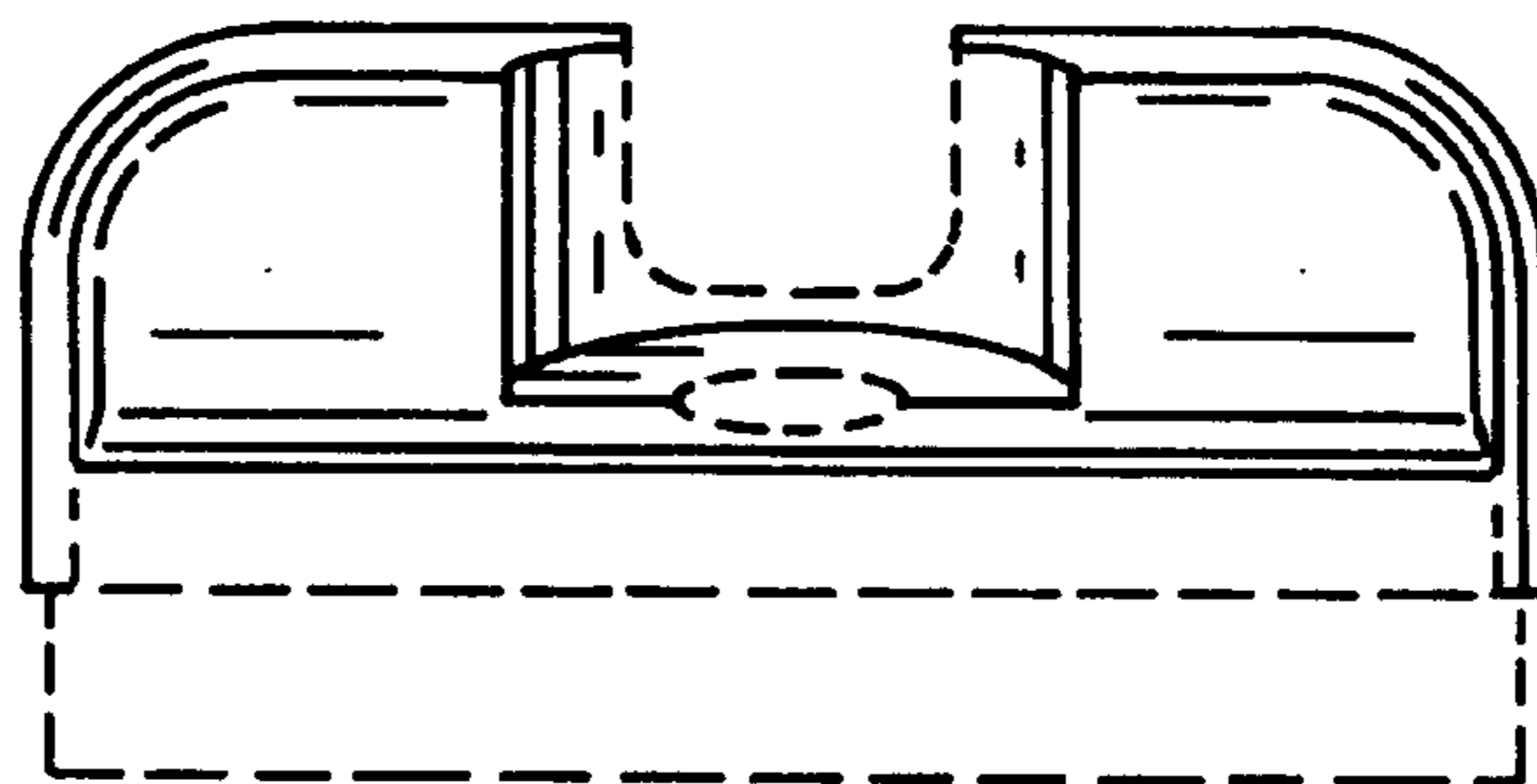


FIG. 5