



US00D541893S

(12) **United States Design Patent** (10) **Patent No.:** **US D541,893 S**
Webber (45) **Date of Patent:** **** May 1, 2007**

(54) **INCLINED SIT UP BENCH**

(76) Inventor: **Randall T. Webber**, 1265 Park Row,
La Jolla, CA (US) 92037

(**) Term: **14 Years**

(21) Appl. No.: **29/243,499**

(22) Filed: **Nov. 23, 2005**

(51) **LOC (8) Cl.** **21-02**

(52) **U.S. Cl.** **D21/690**

(58) **Field of Classification Search** D21/662,
D21/676, 686, 690; 482/104, 133, 140, 142,
482/96; D24/183

See application file for complete search history.

(56) **References Cited**

U.S. PATENT DOCUMENTS

D254,562 S *	3/1980	Pearo	D21/690
5,190,513 A *	3/1993	Habing et al.	482/145
D339,617 S *	9/1993	Harashima	D21/690
D366,917 S *	2/1996	Clem	D21/690
D370,506 S *	6/1996	Clem	D21/687
D406,290 S *	3/1999	McBride	D21/690
D425,153 S *	5/2000	Grider	D21/690
6,123,653 A *	9/2000	Huang	482/142
6,287,243 B1 *	9/2001	Isom et al.	482/142
6,544,154 B2 *	4/2003	Forcillo	482/142
D477,372 S *	7/2003	Garner	D21/690
6,712,743 B2 *	3/2004	Chen	482/142
D519,585 S *	4/2006	Webber	D21/690

OTHER PUBLICATIONS

U.K. Fitness Supplies Websight. found on internet, Oct. 2, 2006, Page of Mid-Section (abdominal) machines.*
Sit Up Benches, ZE 3202012, ZE 3202011-B, ZE 3202014, ZE 3202016, Zhejiang Machinery and Equipment Corp. (ZMEC) Brochure, date unknown.
EZ-Life M3150 Sit-Up and Flat Bench, Kamparts Brochure, date unknown.

Sit-Up Benches, Speedent Corporation Brochure, 1997.
KW105 Abdominal Bench, Galaxy Star Brochure, date unknown.

Adjustable Slant Board, Ab Crunch, and Adjustable Ab Bench, Nautilus Fitness Brochure, 2001.

Bent Leg Abdominal Board, Cybex Brochure, 1996.

F-260 Super Adjustable Multi-Ab Bench and F-261 Adjustable Sit-Up Bench, Hoist Fitness Systems, 2001.

F260 Adjustable Abdominal, Hoist Fitness Owner's Manual, 1995.

3048 Bent Knee Abdominal Board and 3017 Standard Abdominal Board, Muscle Dynamics Brochure, date unknown.

* cited by examiner

Primary Examiner—Philip S. Hyder

(74) *Attorney, Agent, or Firm*—Procopio Cory Hargreaves & Savitch

(57) **CLAIM**

The ornamental design for an inclined sit up bench, as shown.

DESCRIPTION

FIG. 1 is a front perspective view of an inclined sit up bench in an exercise position, showing my new design;

FIG. 2 is a front elevational view thereof;

FIG. 3 is a right side elevational view thereof;

FIG. 4 is a left side elevational view thereof;

FIG. 5 is a top plan view thereof;

FIG. 6 is a rear elevational view thereof;

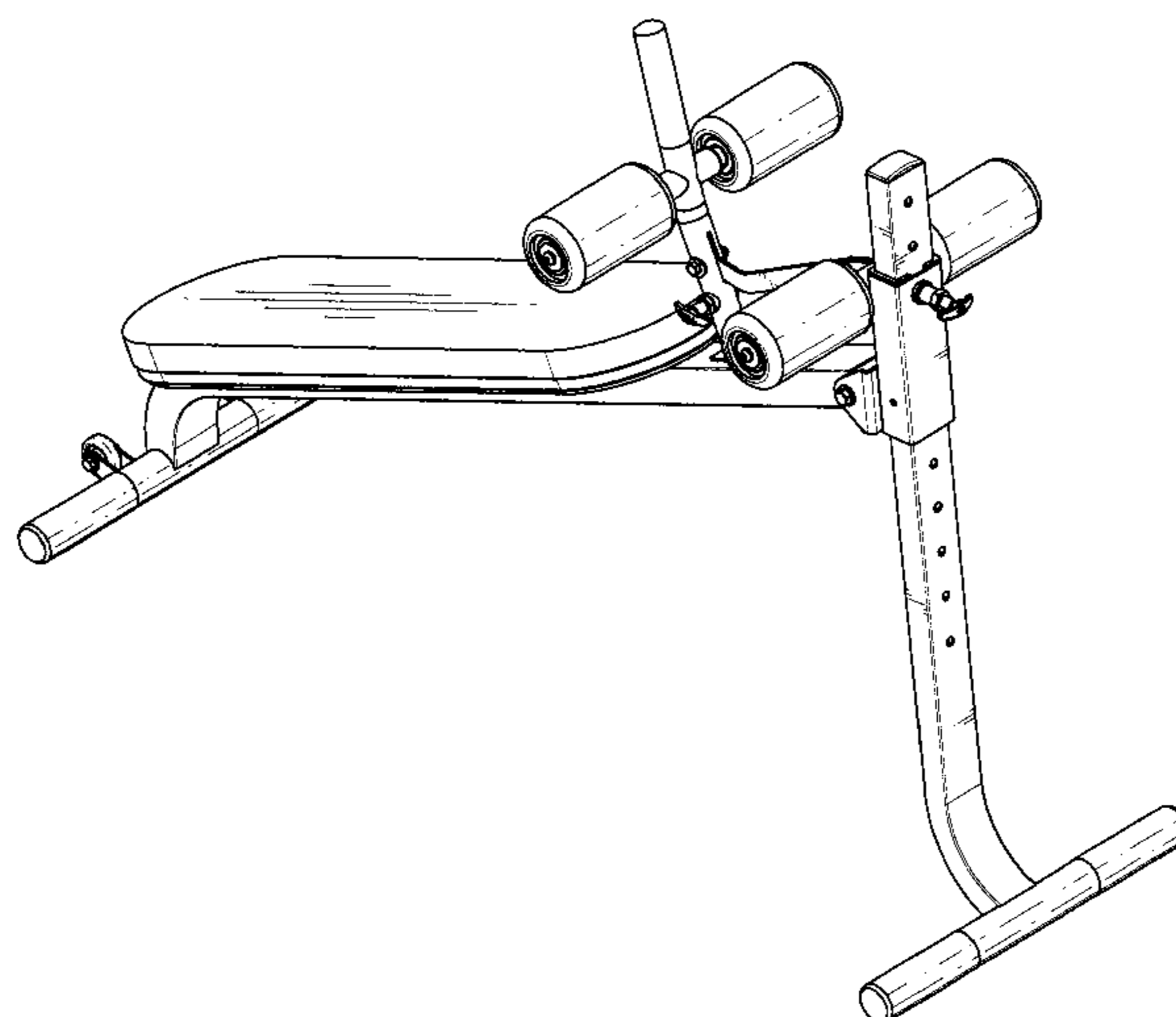
FIG. 7 is a bottom plan view thereof;

FIG. 8 is a rear perspective view thereof;

FIG. 9 is a front perspective view of the bench in a folded, storage position; and,

FIG. 10 is a right side elevational view of the bench in the position of Figure.

1 Claim, 10 Drawing Sheets



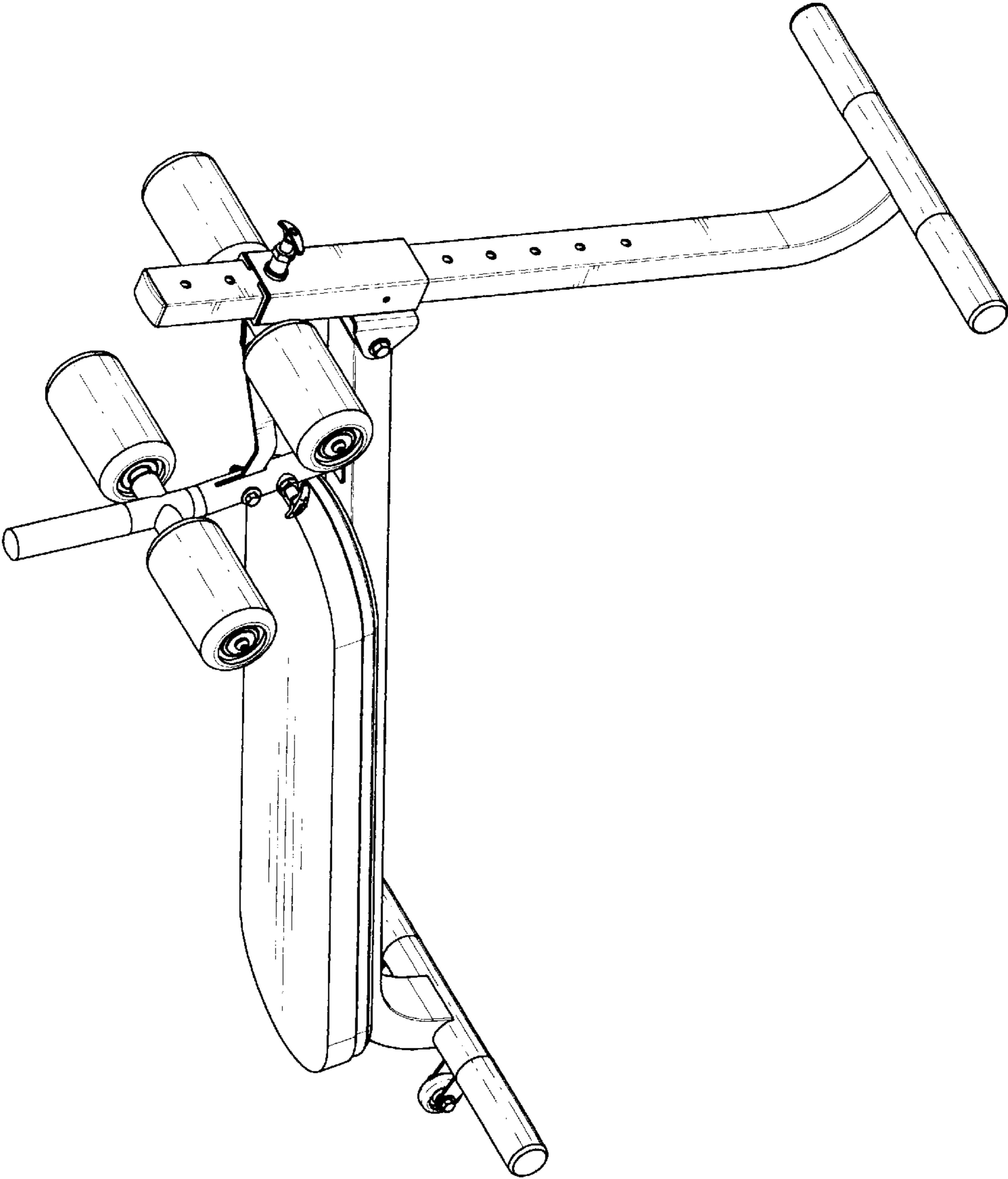


FIG. 1

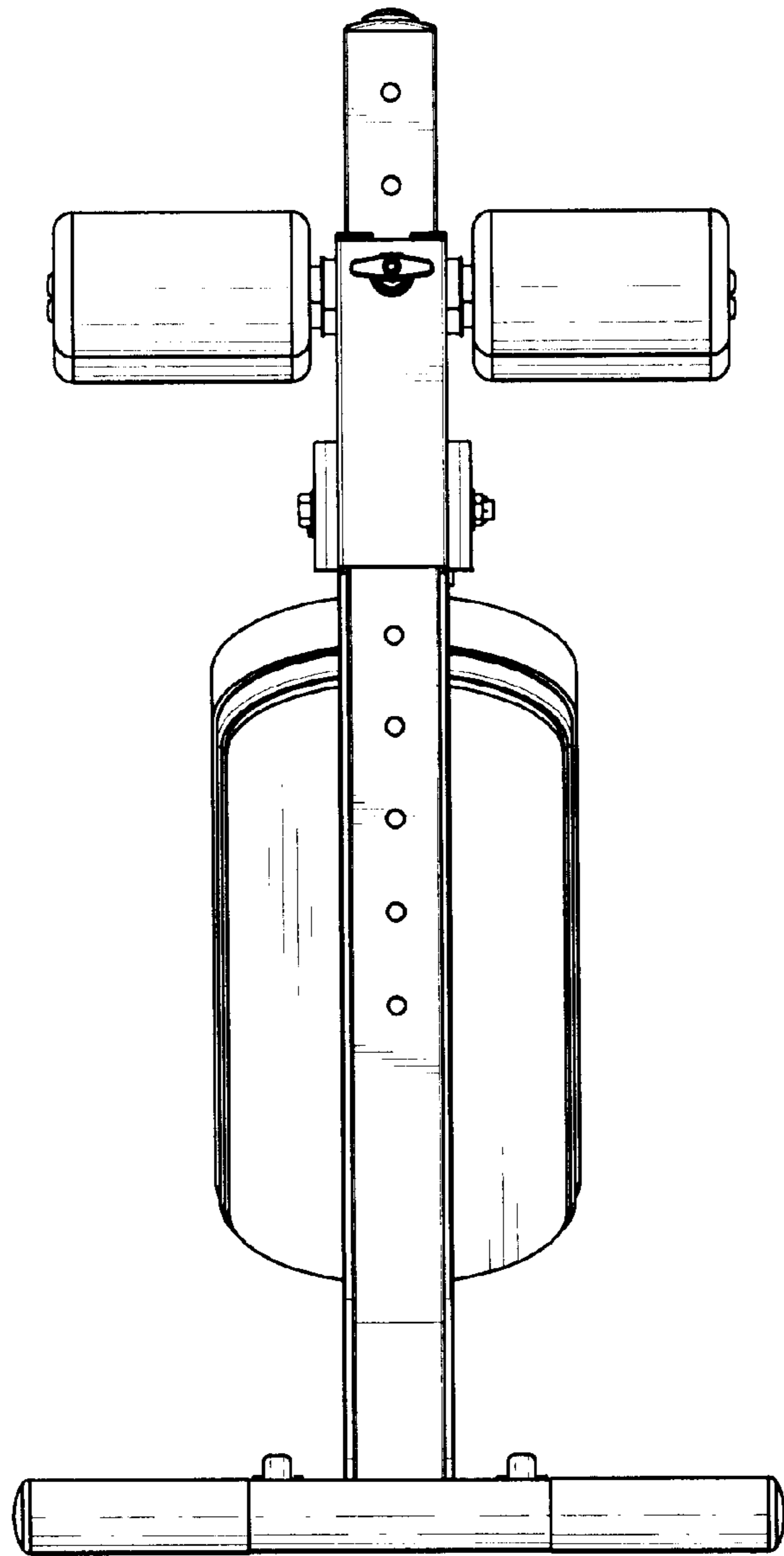


FIG. 2

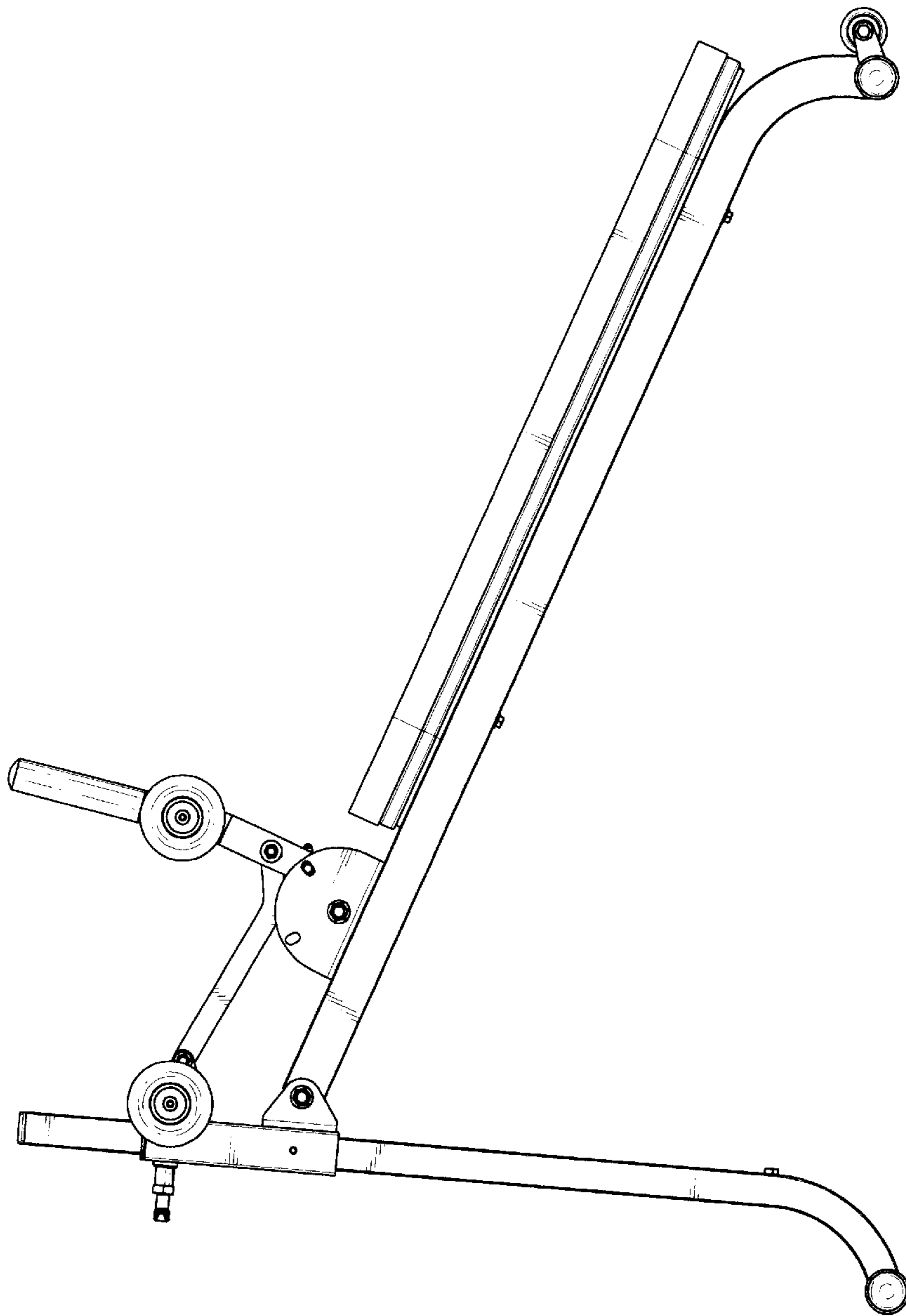


FIG. 3

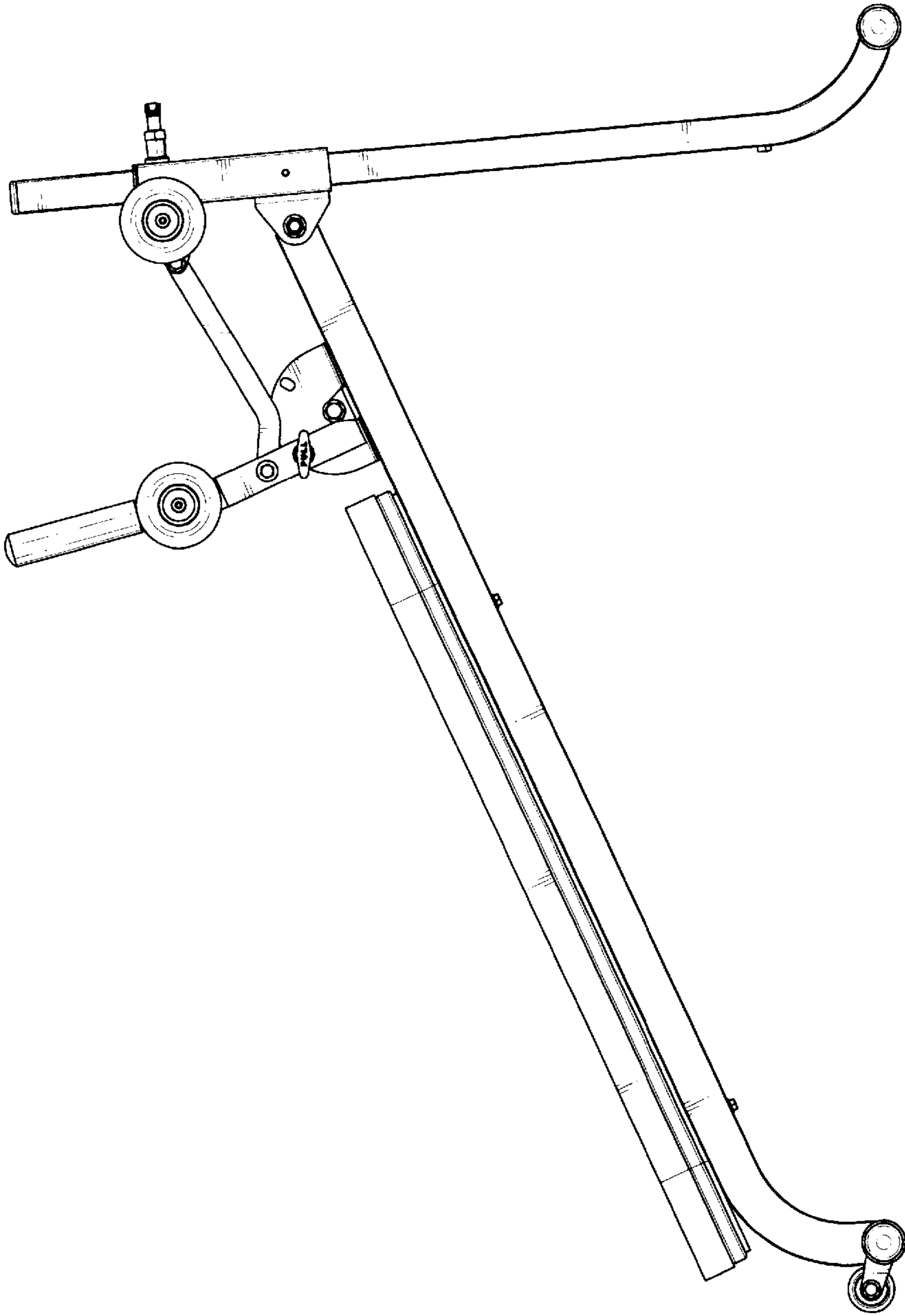


FIG. 4

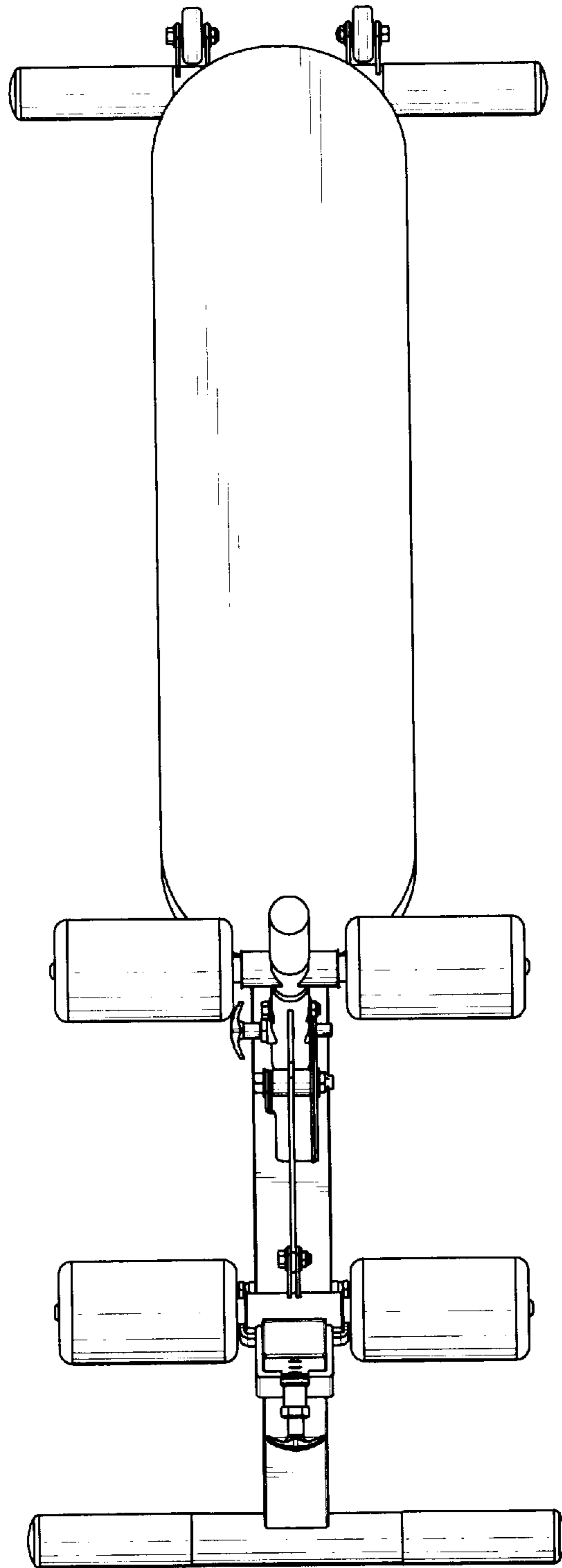


FIG. 5

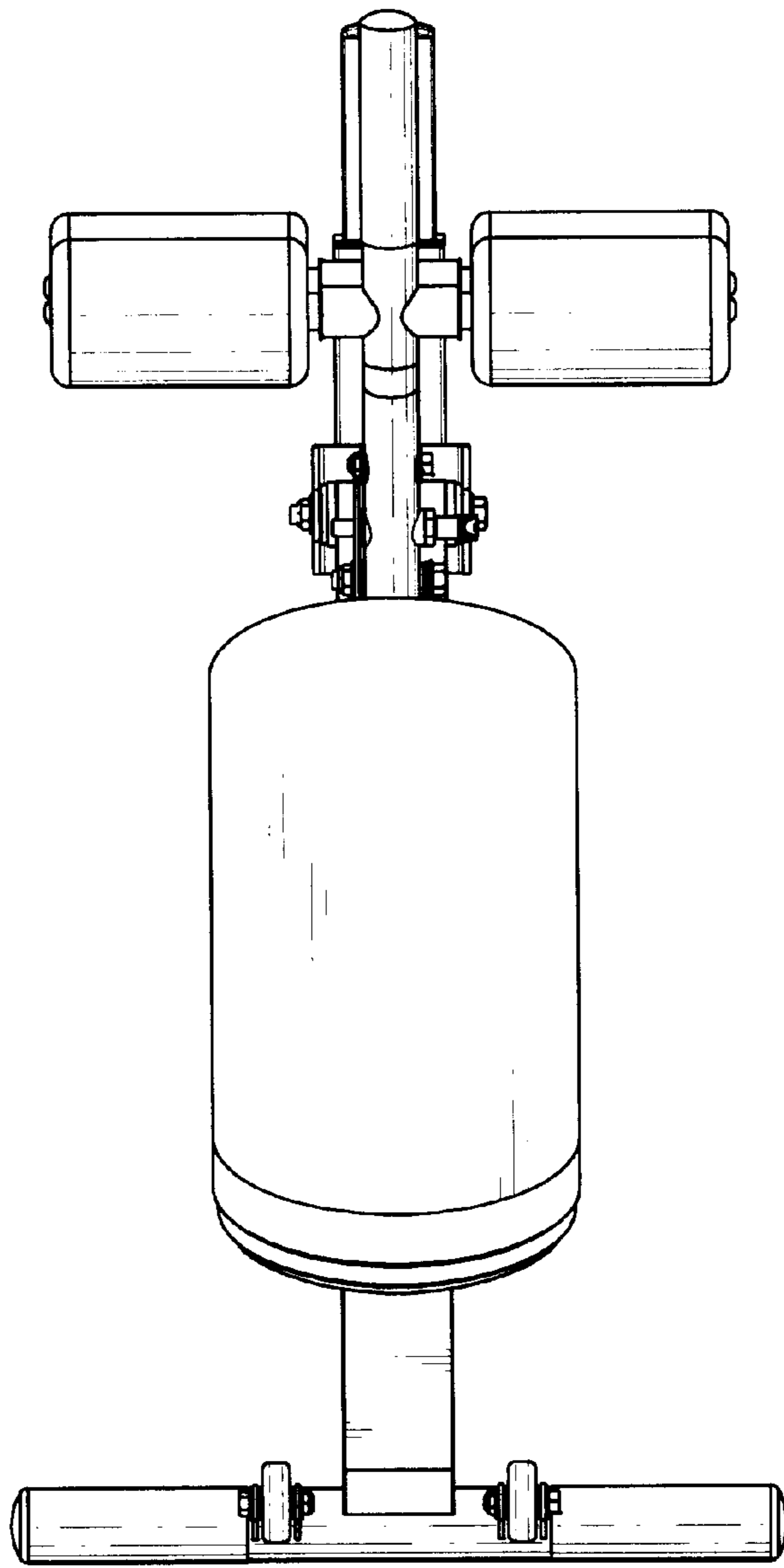


FIG. 6

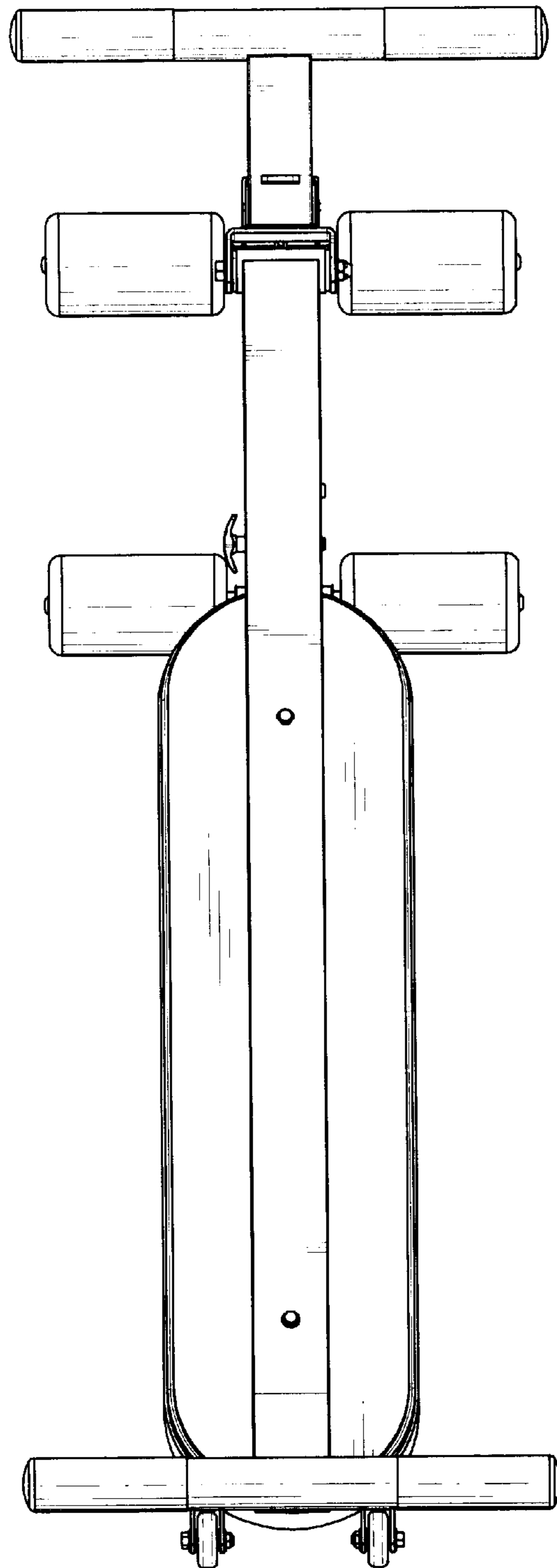


FIG. 7

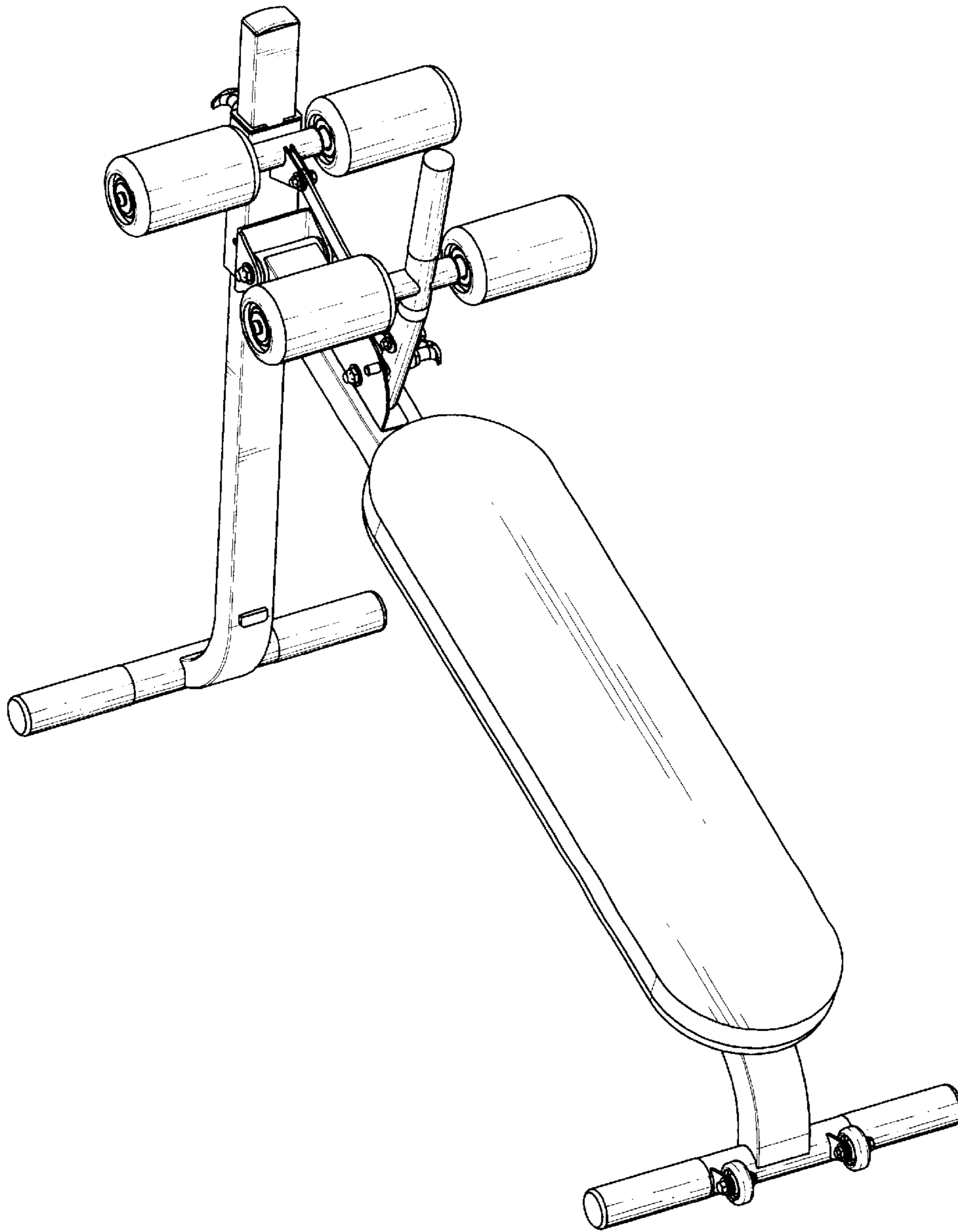


FIG. 8

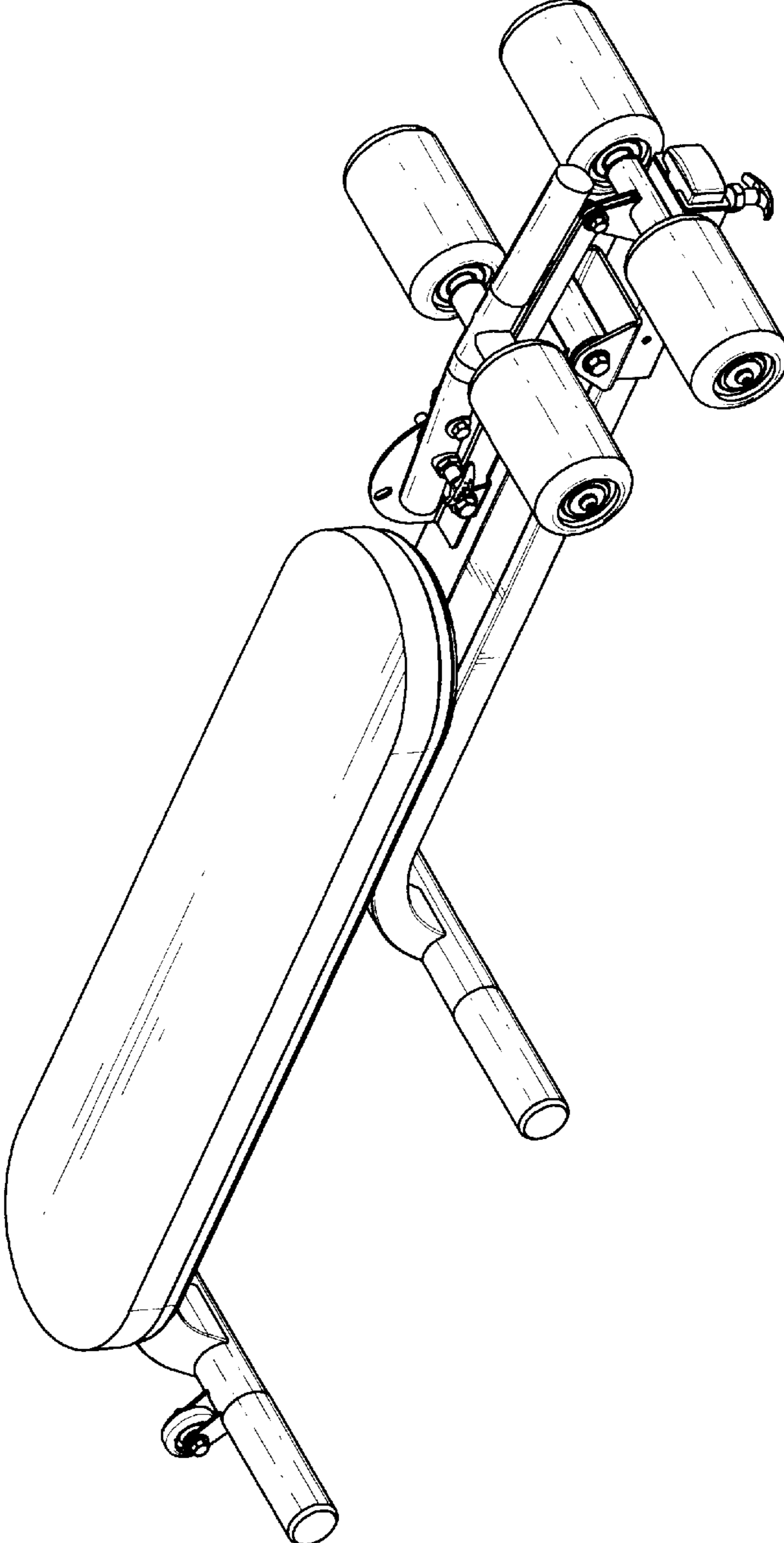


FIG. 9

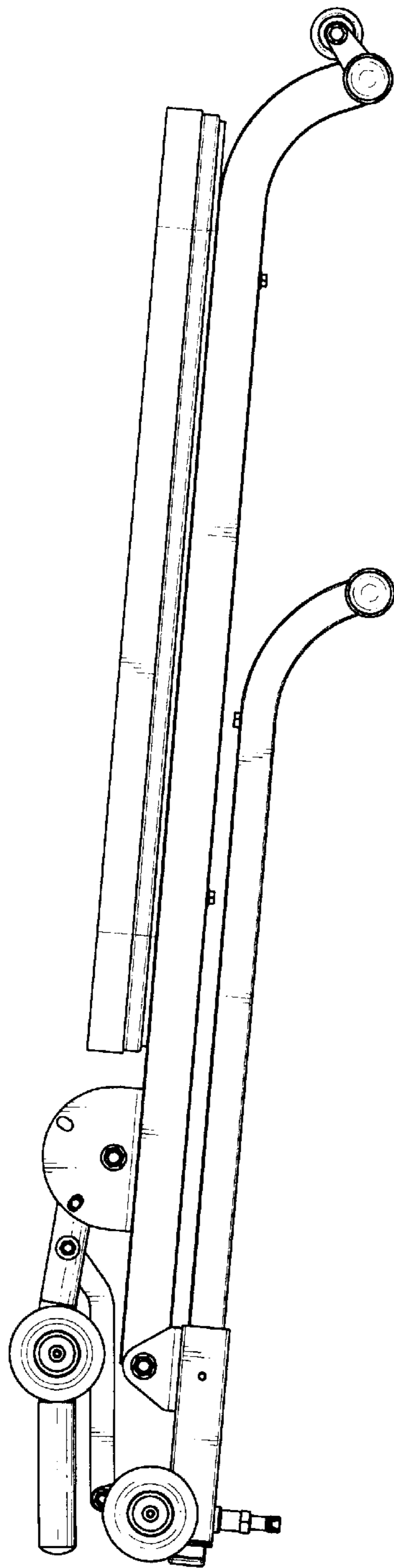


FIG. 10