

US00D541885S

(12) **United States Design Patent**
Lensvelt

(10) **Patent No.:** **US D541,885 S**

(45) **Date of Patent:** **** May 1, 2007**

(54) **DACHSHUND DOG-SHAPED CHILD'S TROLLEY TOY**

(76) Inventor: **Michael John Lensvelt**, 113
Shepherdess Walk, London (GB), N1
7QA

(**) Term: **14 Years**

(21) Appl. No.: **29/254,139**

(22) Filed: **Feb. 18, 2006**

(51) **LOC (8) Cl.** **21-01**

(52) **U.S. Cl.** **D21/592; D21/611**

(58) **Field of Classification Search** D21/428,
D21/576-578, 585-592, 595, 611-613; D11/158;
446/72, 97-98, 156, 158, 268-269, 275,
446/279, 369, 456

See application file for complete search history.

(56) **References Cited**

U.S. PATENT DOCUMENTS

- D140,153 S * 1/1945 Albright D21/592
- D140,311 S * 2/1945 Boyse et al. D21/592
- D172,759 S * 8/1954 Orren et al. D21/475
- D179,949 S * 3/1957 Malsed D21/592

- D203,685 S * 2/1966 Crawford D21/592
- D217,270 S * 4/1970 Dunbar D21/592
- D232,046 S * 7/1974 Crawford D21/592
- D238,804 S * 2/1976 Holden D21/592
- D269,362 S * 6/1983 Welch D21/592

* cited by examiner

Primary Examiner—Sandra L. Morris

(74) *Attorney, Agent, or Firm*—Richard L. Strauss, Esq.

(57) **CLAIM**

The ornamental design for a dachshund dog-shaped child's trolley toy, as shown and described.

DESCRIPTION

FIG. 1 is a front lateral view of the design.

FIG. 2 is a rear lateral view of the design.

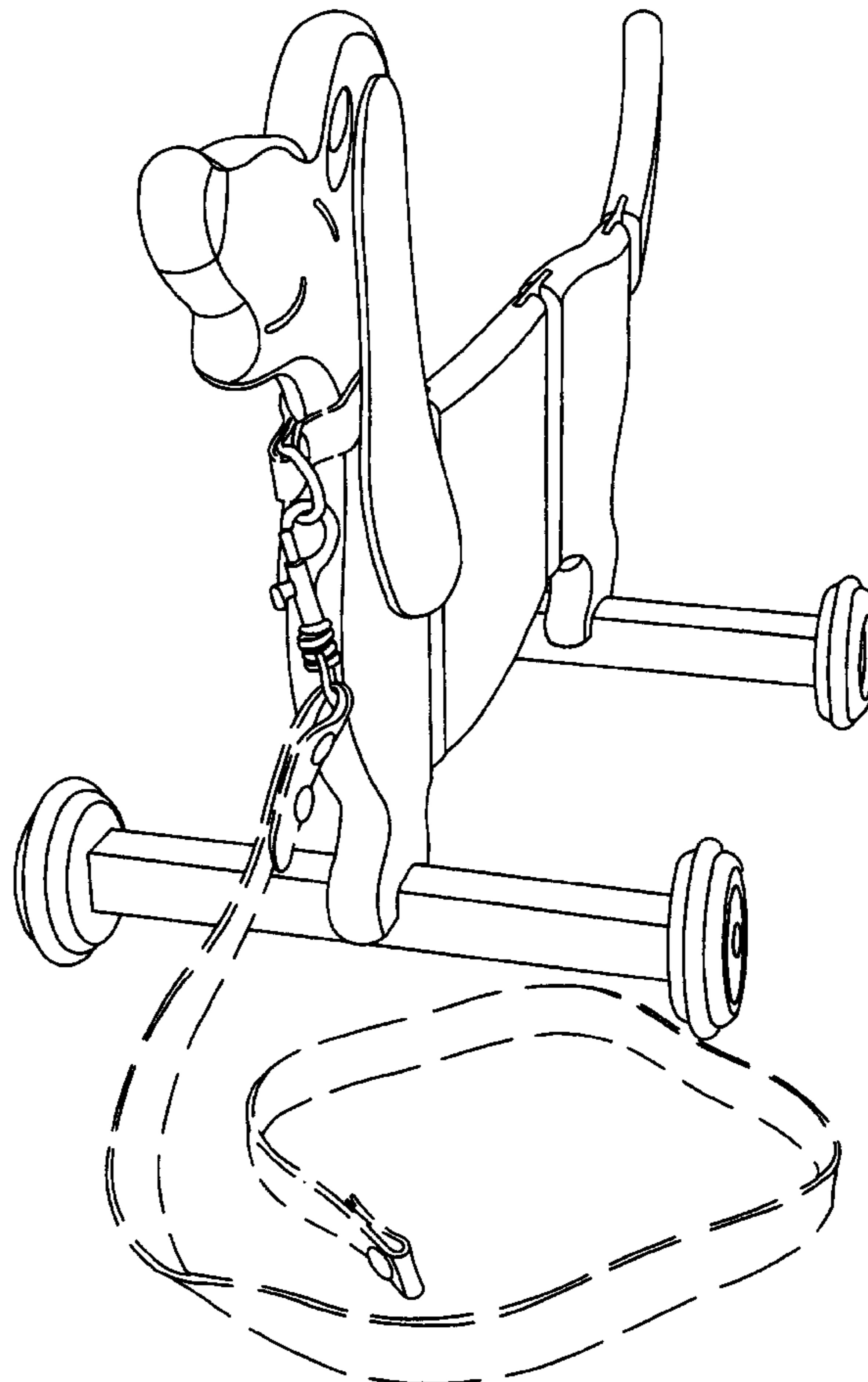
FIG. 3 is a side view of the design; and,

FIG. 4 is a front side perspective view thereof.

The broken line showing is for illustrative purposes only, and forms no part of the claimed design.

The design disclosed and claimed herein, and illustrated in the above-described figures, is not intended to include the leash depicted in said figures.

1 Claim, 4 Drawing Sheets



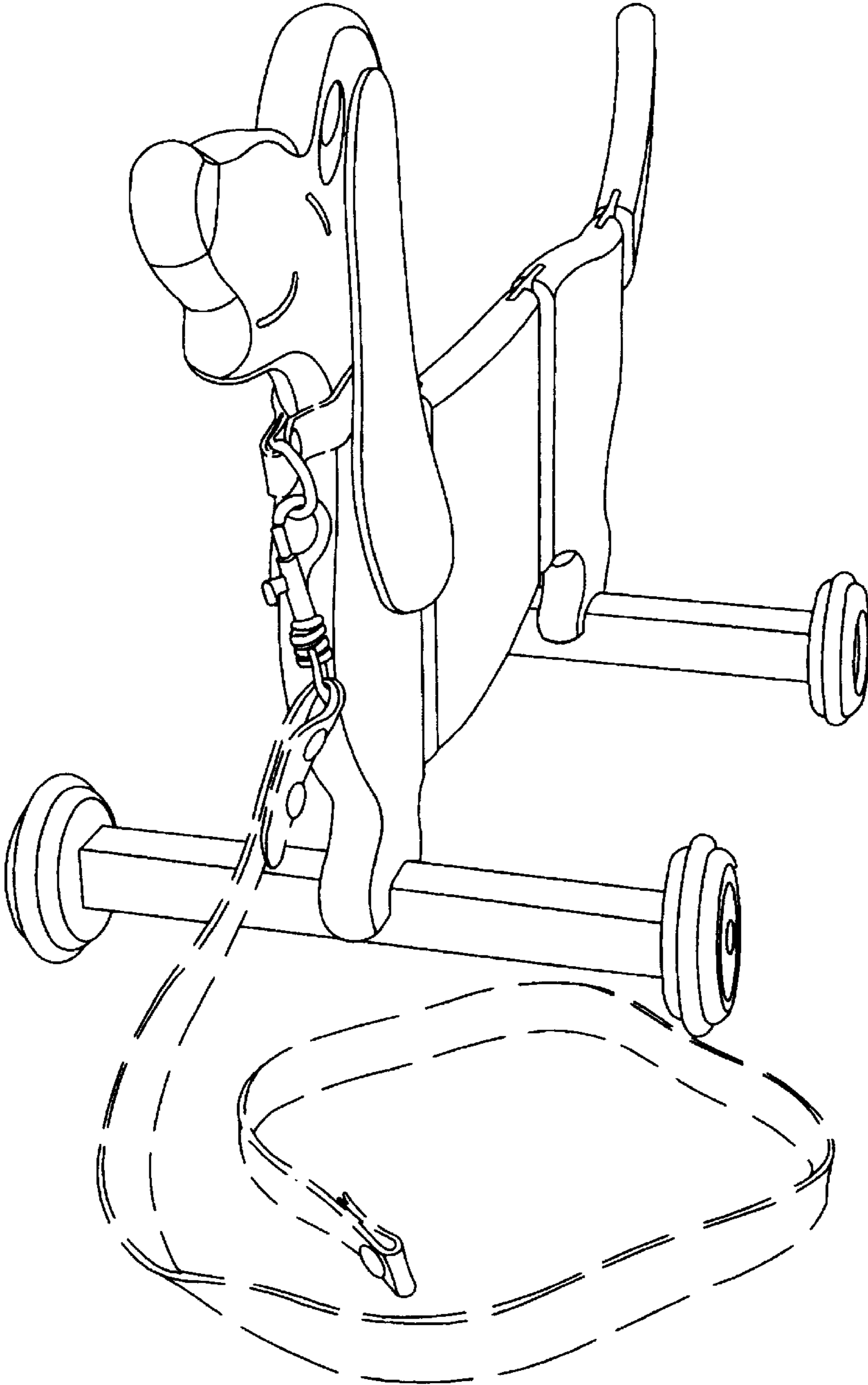


Fig. 1

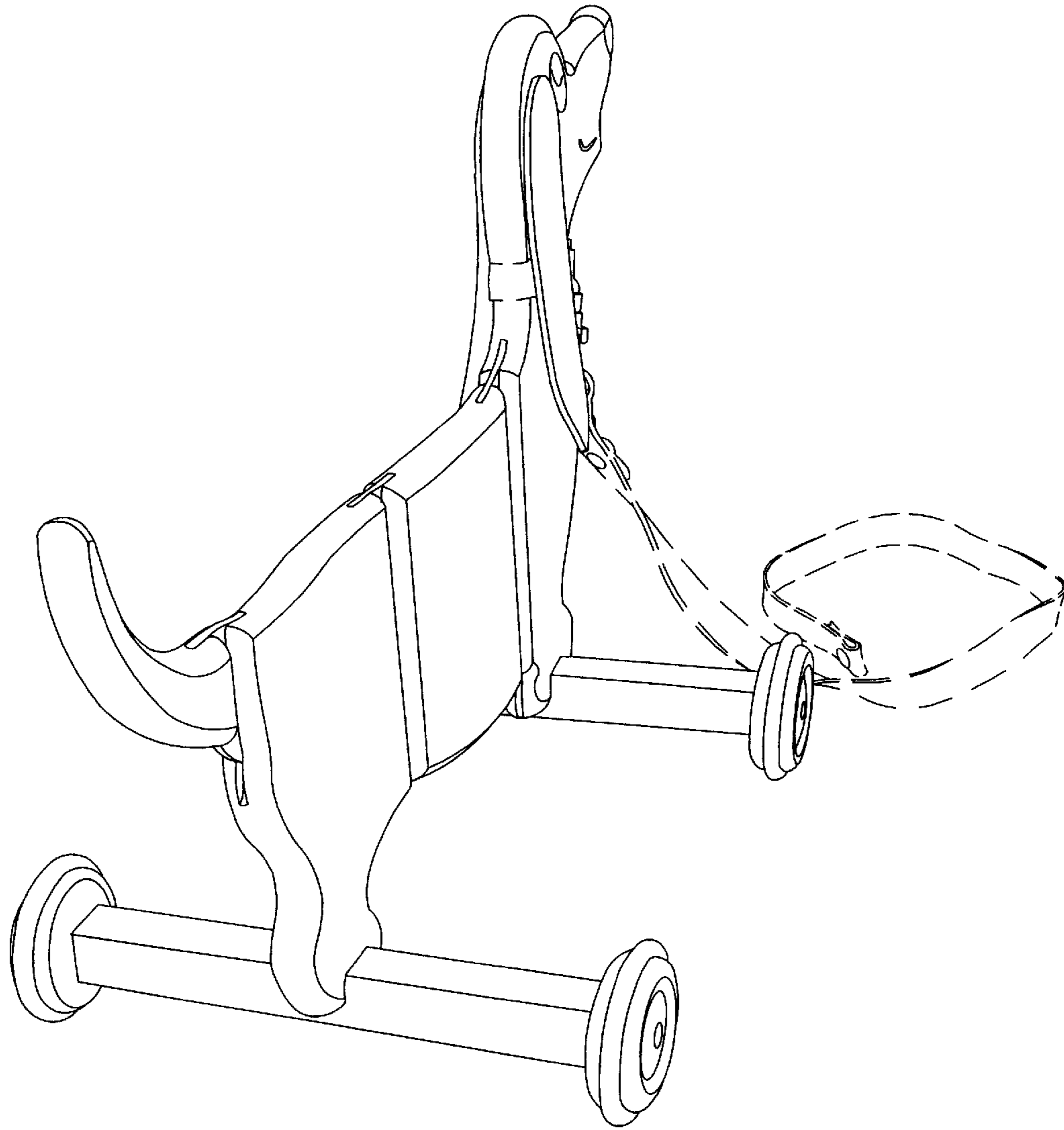


Fig. 2

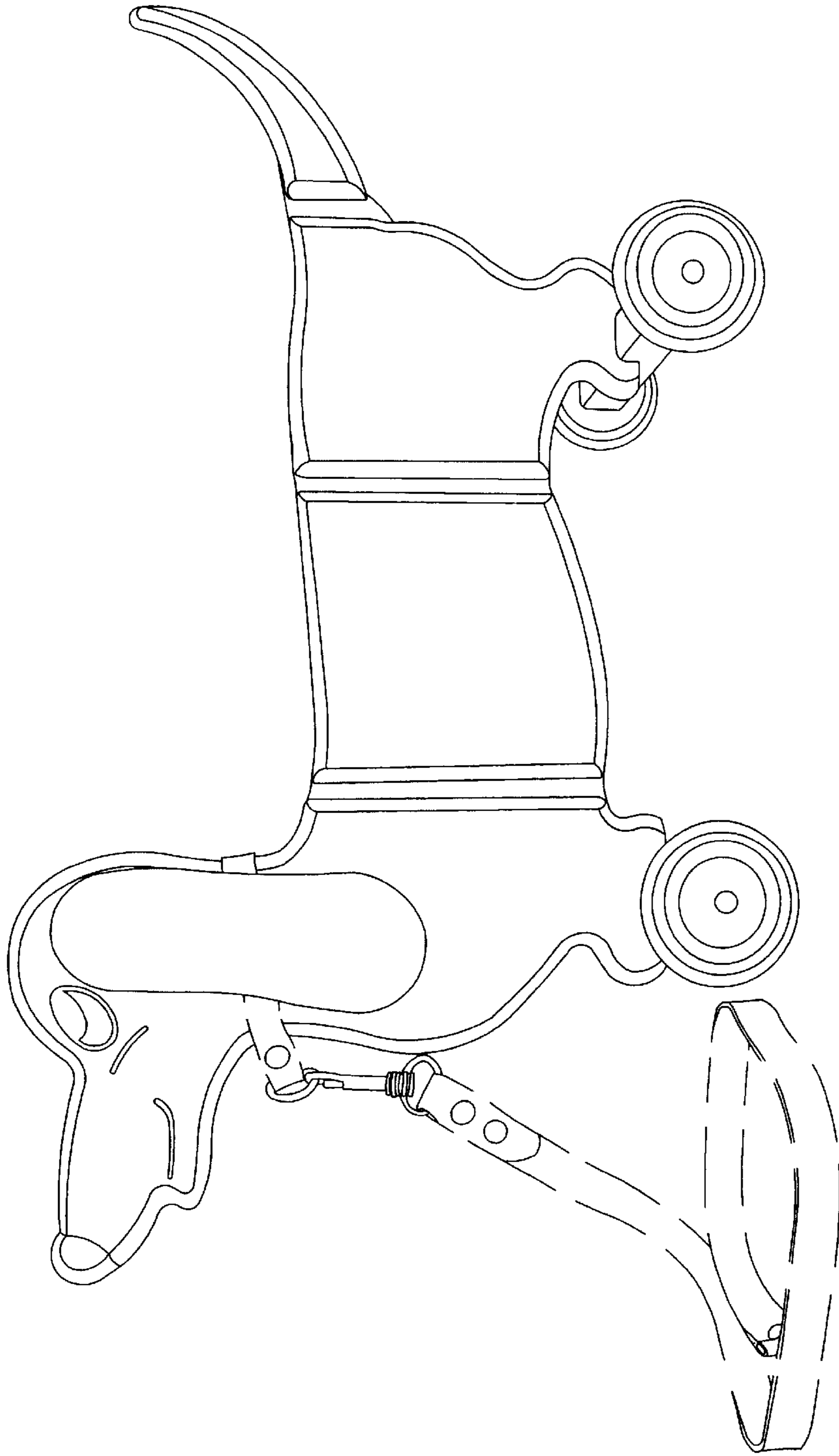


Fig. 3

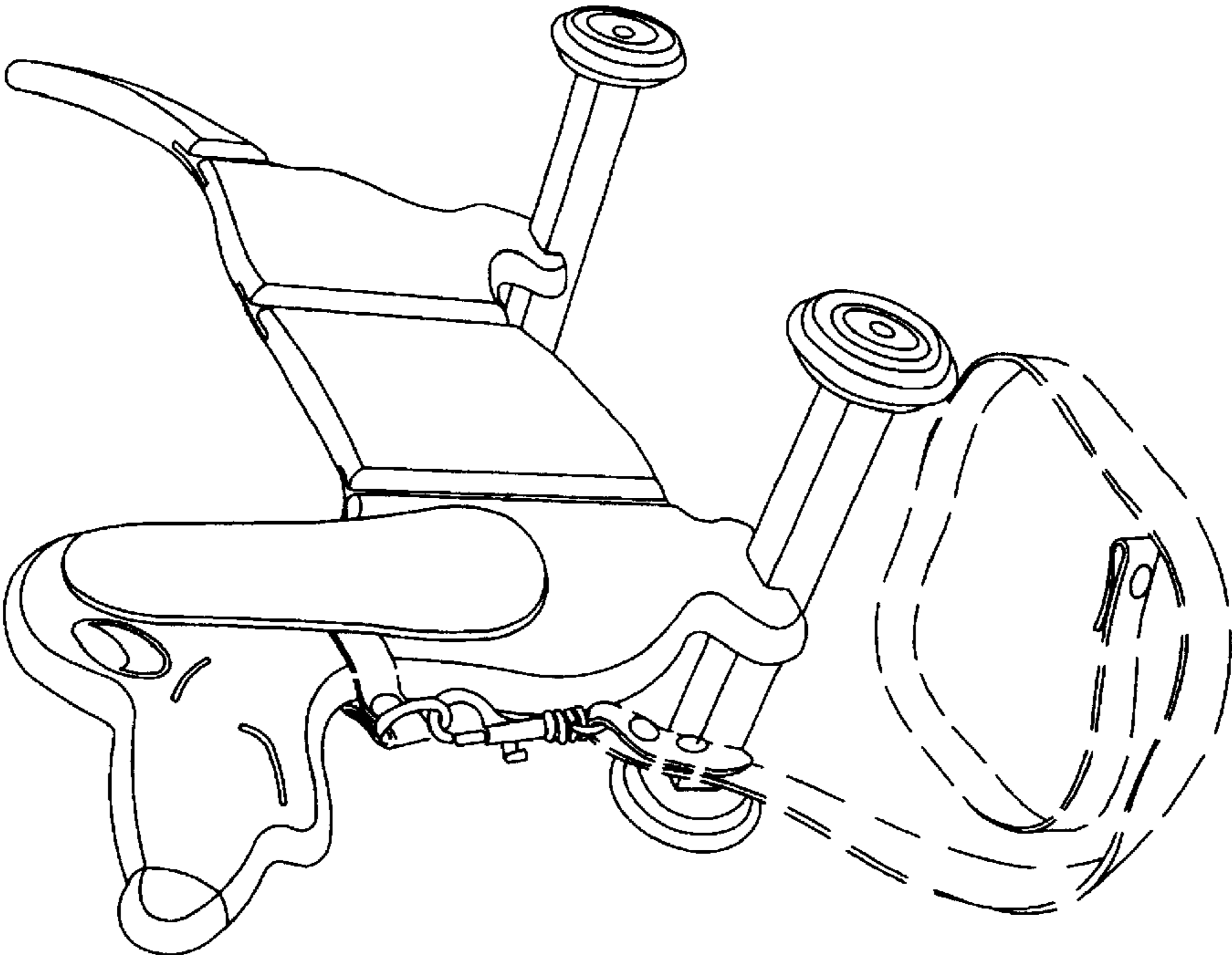


Fig. 4