



US00D541884S

(12) **United States Design Patent**  
**Orr**

(10) **Patent No.:** **US D541,884 S**

(45) **Date of Patent:** **\*\* \*May 1, 2007**

(54) **TEXTURED BARREL, ASCENDING BUBBLE  
BIRDTAIL BODY AND ASCENDING BUBBLE  
GRIP PAINTBALL MARKER**

(76) Inventor: **Jeffrey G. Orr**, 3779 Trinity Cir.,  
Corona, CA (US) 92881

(\*) Notice: This patent is subject to a terminal dis-  
claimer.

(\*\*) Term: **14 Years**

(21) Appl. No.: **29/242,871**

(22) Filed: **Nov. 2, 2005**

(51) **LOC (8) Cl.** ..... **21-01**

(52) **U.S. Cl.** ..... **D21/573**

(58) **Field of Classification Search** ..... D21/570-574;  
D22/100, 101, 103, 108, 109; 124/32, 41.1,  
124/45, 49, 51.1, 56, 70-74, 77

See application file for complete search history.

(56) **References Cited**

**U.S. PATENT DOCUMENTS**

645,932 A	3/1900	Ferrant	89/125
1,167,178 A	1/1916	Hill	124/56
1,343,127 A	6/1920	Smith	124/54
1,743,576 A	1/1930	Smith	124/72
2,550,887 A	5/1951	Tratsch	124/1
2,568,432 A	9/1951	Cook	124/13
2,834,332 A	5/1958	Guthrie	124/13
2,845,055 A	7/1958	Collins et al.	124/11
3,089,476 A	5/1963	Wolverton	124/11
3,240,200 A	3/1966	Jones	124/11
3,273,553 A	9/1966	Doyle	124/3
3,374,708 A	3/1968	Wall et al.	89/1
3,494,344 A	2/1970	Vadas et al.	124/11
3,548,708 A	12/1970	Hubigh	89/1.818

3,572,310 A	3/1971	Chiba	124/11
3,695,246 A	10/1972	Filippi et al.	124/11
3,818,887 A	6/1974	Aklyama et al.	124/15
3,899,845 A	8/1975	Wild et al.	42/69
3,923,033 A	12/1975	Laporte et al.	124/8
4,066,000 A	1/1978	Rostocil	89/198
4,347,679 A	9/1982	Grunig et al.	42/84
4,362,145 A	12/1982	Stelcher	124/32
4,602,608 A	7/1986	Lacam et al.	124/74
4,679,487 A	7/1987	Houseman	89/140
4,694,815 A	9/1987	Hung	124/27
4,770,153 A	9/1988	Edelman	124/72
4,779,245 A	10/1988	Chelminski	367/144
4,819,609 A	4/1989	Tippmann	124/72
4,899,717 A	2/1990	Rutten et al.	124/67
4,936,282 A	6/1990	Dobbins et al.	124/74
5,063,905 A	11/1991	Farrell	124/72

*Primary Examiner*—Holly H. Baynham

*Assistant Examiner*—Cynthia Chin

(74) *Attorney, Agent, or Firm*—Keisling Pieper & Scott  
PLC; David B. Pieper; Trent C. Keisling

(57) **CLAIM**

The ornamental design for a textured barrel, ascending  
bubble birdtail body and ascending bubble grip paintball  
marker, as shown and described

**DESCRIPTION**

FIG. 1 is a top view of a textured barrel, ascending bubble  
birdtail body and ascending bubble grip paintball marker  
showing my new design;

FIG. 2 is a front view thereof;

FIG. 3 is a left side view thereof;

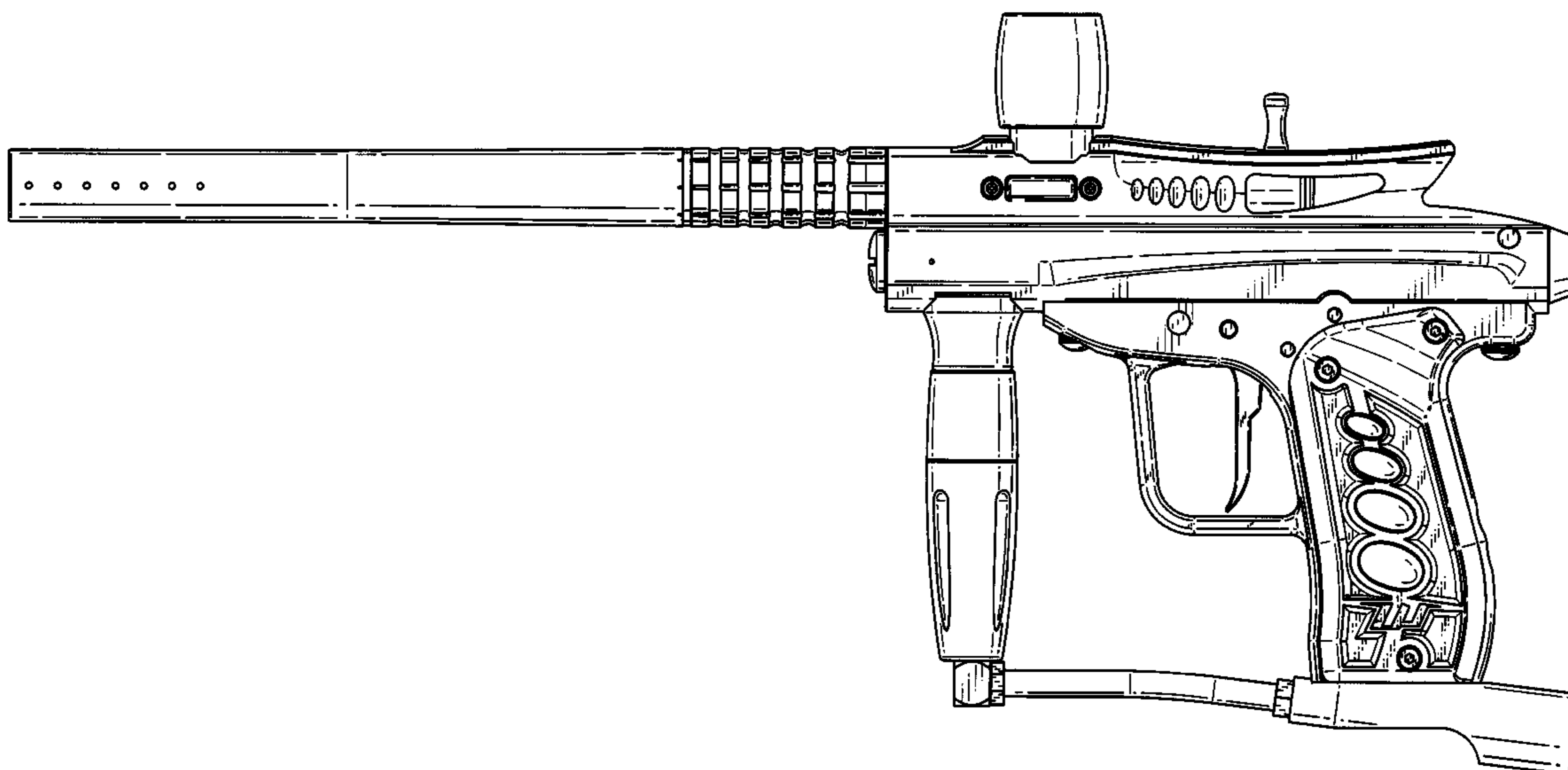
FIG. 4 is a back view thereof;

FIG. 5 is a bottom view thereof;

FIG. 6 is a right side view thereof; and,

FIG. 7 is an isometric view thereof.

**1 Claim, 4 Drawing Sheets**



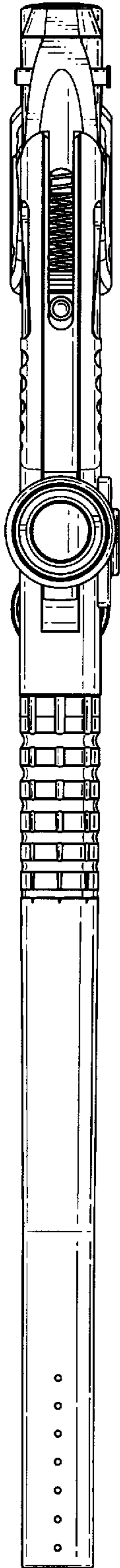
# US D541,884 S

Page 2

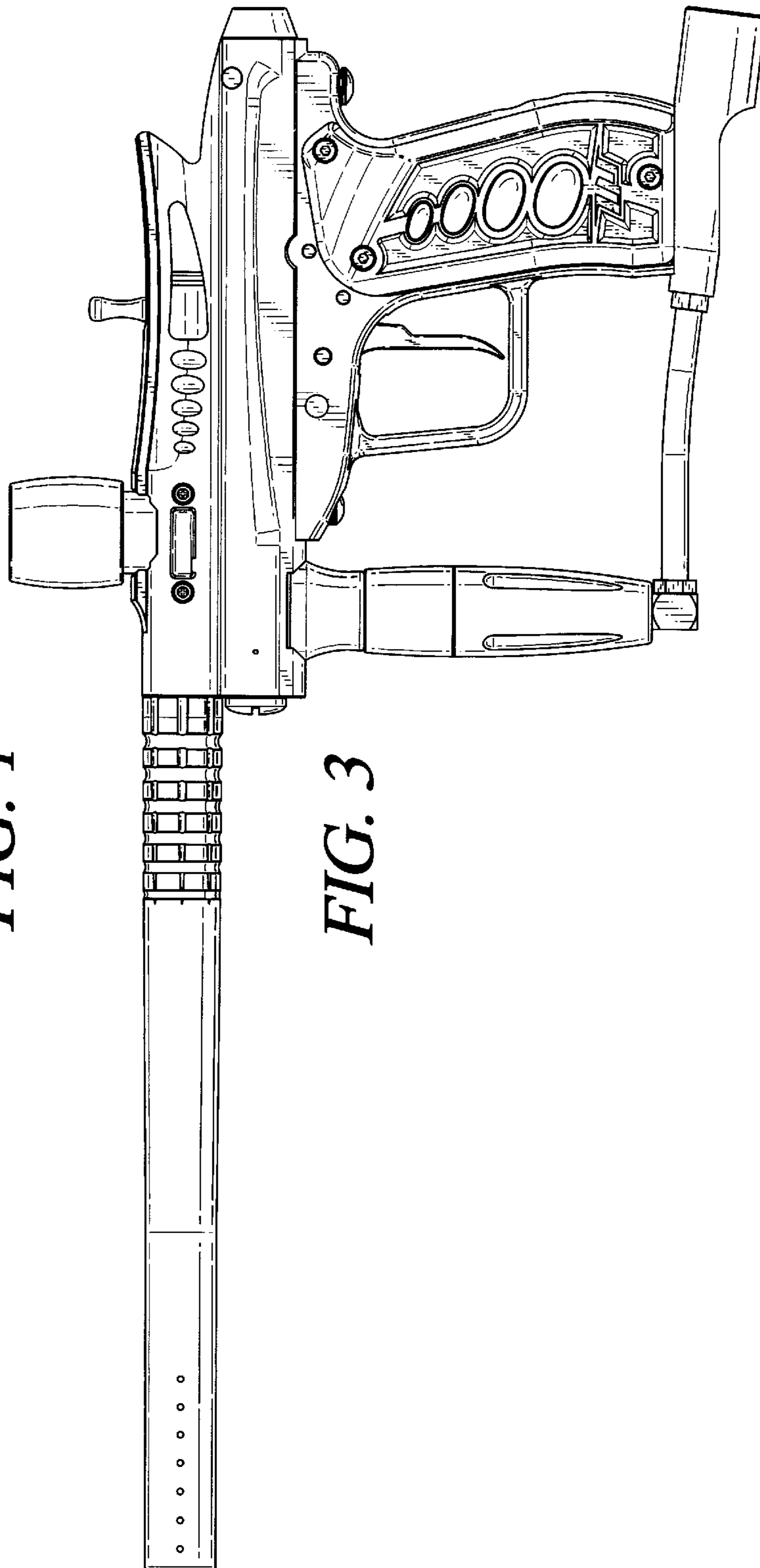
## U.S. PATENT DOCUMENTS

5,078,118	A	1/1992	Perrone	124/74	6,550,468	B1	4/2003	Tippmann, Jr.	124/71
5,149,898	A	9/1992	Chesnut et al.	42/69.01	6,553,983	B1	4/2003	Li	124/73
D337,627	S	* 7/1993	Moran	D21/572	6,578,566	B2	6/2003	Hernandez	124/73
5,228,427	A	7/1993	Gardner, Jr.	124/71	6,590,386	B1	7/2003	Williams	324/178
5,261,384	A	11/1993	Hu	124/66	6,615,814	B1	9/2003	Rice et al.	124/71
5,280,778	A	1/1994	Kotsiopoulos	124/73	6,626,165	B1	9/2003	Bhogal	124/77
5,349,939	A	9/1994	Perrone	124/76	6,637,420	B2	10/2003	Moritz	124/73
5,363,834	A	11/1994	Stuchlik	124/76	6,637,421	B2	10/2003	Smith et al.	124/77
5,462,042	A	10/1995	Greenwell	124/76	D482,081	S	* 11/2003	Chang	D21/573
5,503,137	A	4/1996	Fusco	124/72	D482,082	S	* 11/2003	Chang	D21/573
5,613,483	A	3/1997	Lukas et al.	124/73	D482,743	S	* 11/2003	Chang	D21/573
5,634,456	A	6/1997	Perrone	124/76	6,644,295	B2	11/2003	Jones	124/77
5,727,538	A	3/1998	Ellis	124/77	6,644,296	B2	11/2003	Gardner, Jr.	124/77
5,878,736	A	3/1999	Lotuaco, III	124/71	6,658,982	B2	12/2003	Cherry	89/1.42
5,881,707	A	3/1999	Gardner, Jr.	124/77	6,694,963	B1	2/2004	Taylor	124/32
5,913,303	A	6/1999	Kotsiopoulos	124/31	6,705,036	B2	3/2004	Orr	42/69.01
5,967,133	A	10/1999	Gardner, Jr.	124/77	6,748,938	B2	6/2004	Rice et al.	124/77
6,003,504	A	12/1999	Rice et al.	124/73	6,763,822	B1	7/2004	Styles	124/77
6,035,843	A	3/2000	Smith et al.	124/77	6,802,306	B1	10/2004	Rice	124/74
6,048,280	A	4/2000	Palmer et al.	473/416	2002/0096164	A1	* 7/2002	Perrone	124/77
6,065,460	A	5/2000	Lotuaco, III	124/72	2003/0131514	A1	7/2003	Rice et al.	42/69.01
6,138,656	A	10/2000	Rice et al.	124/73	2003/0131834	A1	7/2003	Rice et al.	124/32
6,311,682	B1	11/2001	Rice et al.	124/71	2003/0154968	A1	8/2003	Rice et al.	124/71
6,349,711	B1	2/2002	Perry et al.	124/73	2003/0178018	A1	* 9/2003	Cherry	124/76
6,439,217	B1	8/2002	Shih	124/77	2003/0221684	A1	12/2003	Rice	124/71
6,474,326	B1	11/2002	Smith et al.	124/77	2004/0011344	A1	1/2004	Rice et al.	124/71
6,494,194	B2	12/2002	Shipachev et al.	124/73	2004/0084040	A1	5/2004	Jones	124/77
6,532,949	B1	3/2003	McKendrick	124/77	2004/0112356	A1	* 6/2004	Hatcher	124/41.1

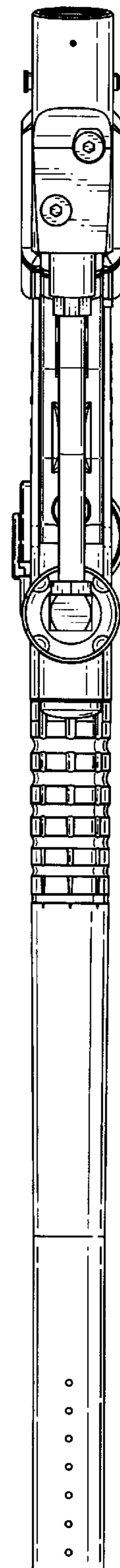
\* cited by examiner



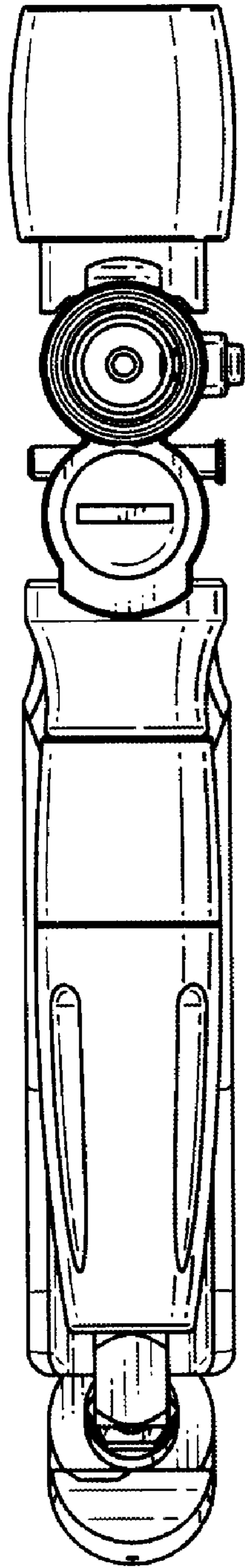
*FIG. 1*



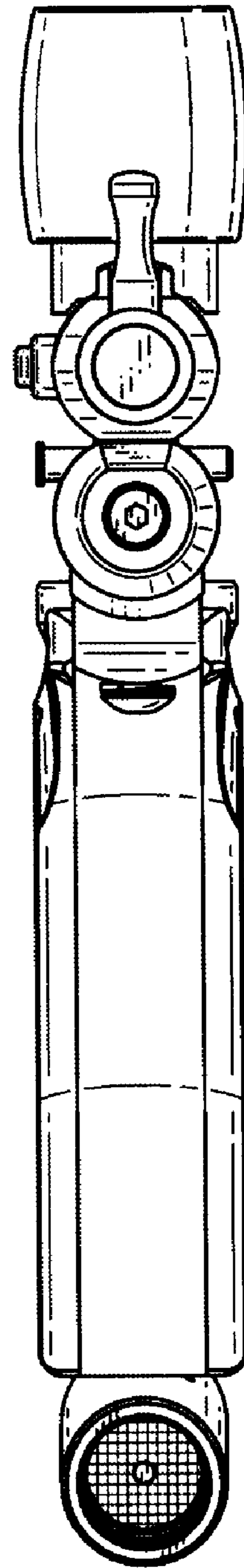
*FIG. 3*



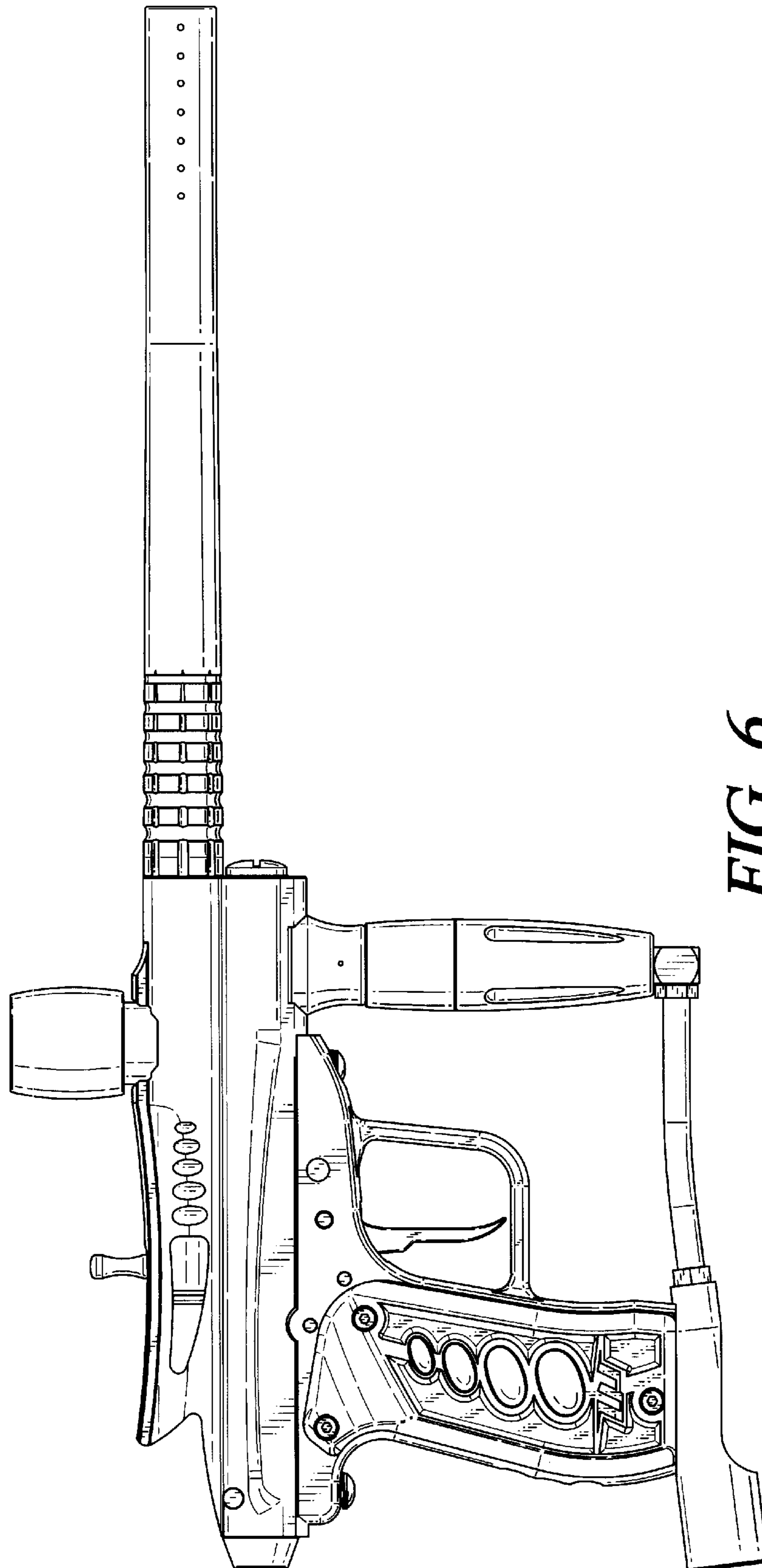
*FIG. 5*



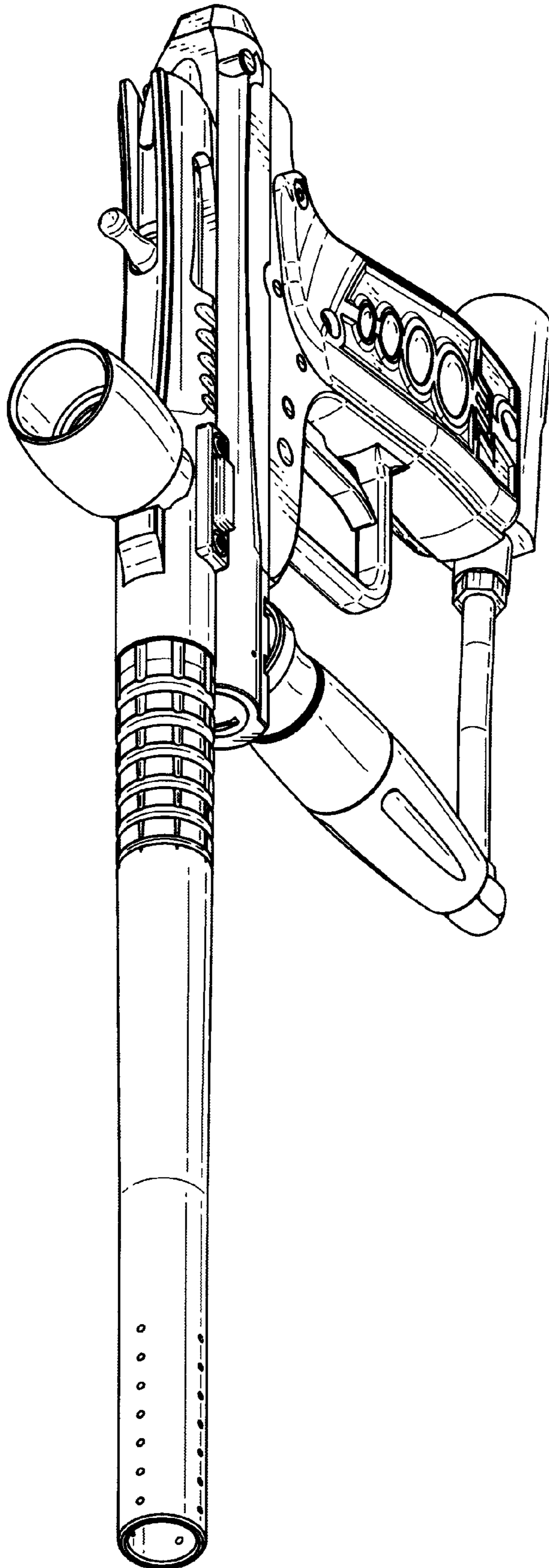
***FIG. 2***



***FIG. 4***



*FIG. 6*



**FIG. 7**