



US00D541882S

(12) **United States Design Patent**
Petersen

(10) **Patent No.:** **US D541,882 S**

(45) **Date of Patent:** **** May 1, 2007**

(54) **TOY CONSTRUCTION SET ELEMENT**

(75) **Inventor:** **Claus Petersen, Vejle (DK)**

(73) **Assignee:** **Interlego AG, Baar (CH)**

(**) **Term:** **14 Years**

(21) **Appl. No.:** **29/235,705**

(22) **Filed:** **Aug. 4, 2005**

(30) **Foreign Application Priority Data**

Feb. 7, 2005 (EM) 000290374-0001/0002

(51) **LOC (8) Cl.** **21-01**

(52) **U.S. Cl.** **D21/495**

(58) **Field of Classification Search** D21/484,
D21/493, 495; D25/11; 446/85, 93-96
See application file for complete search history.

(56) **References Cited**

U.S. PATENT DOCUMENTS

D295,642 S * 5/1988 Olsen D21/495
D307,775 S * 5/1990 Pedersen D21/500
D325,052 S * 3/1992 Andersen D21/495

D331,431 S * 12/1992 Jensen D21/558
D344,305 S * 2/1994 Berggreen D21/495
D344,552 S * 2/1994 Berggreen D21/495
D351,631 S * 10/1994 Thomsen et al. D21/534
D394,469 S * 5/1998 Nielsen D21/500

* cited by examiner

Primary Examiner—Philip S. Hyder

Assistant Examiner—RoseLynne (Ulm) Cody

(74) *Attorney, Agent, or Firm*—Pitney Hardin LLP

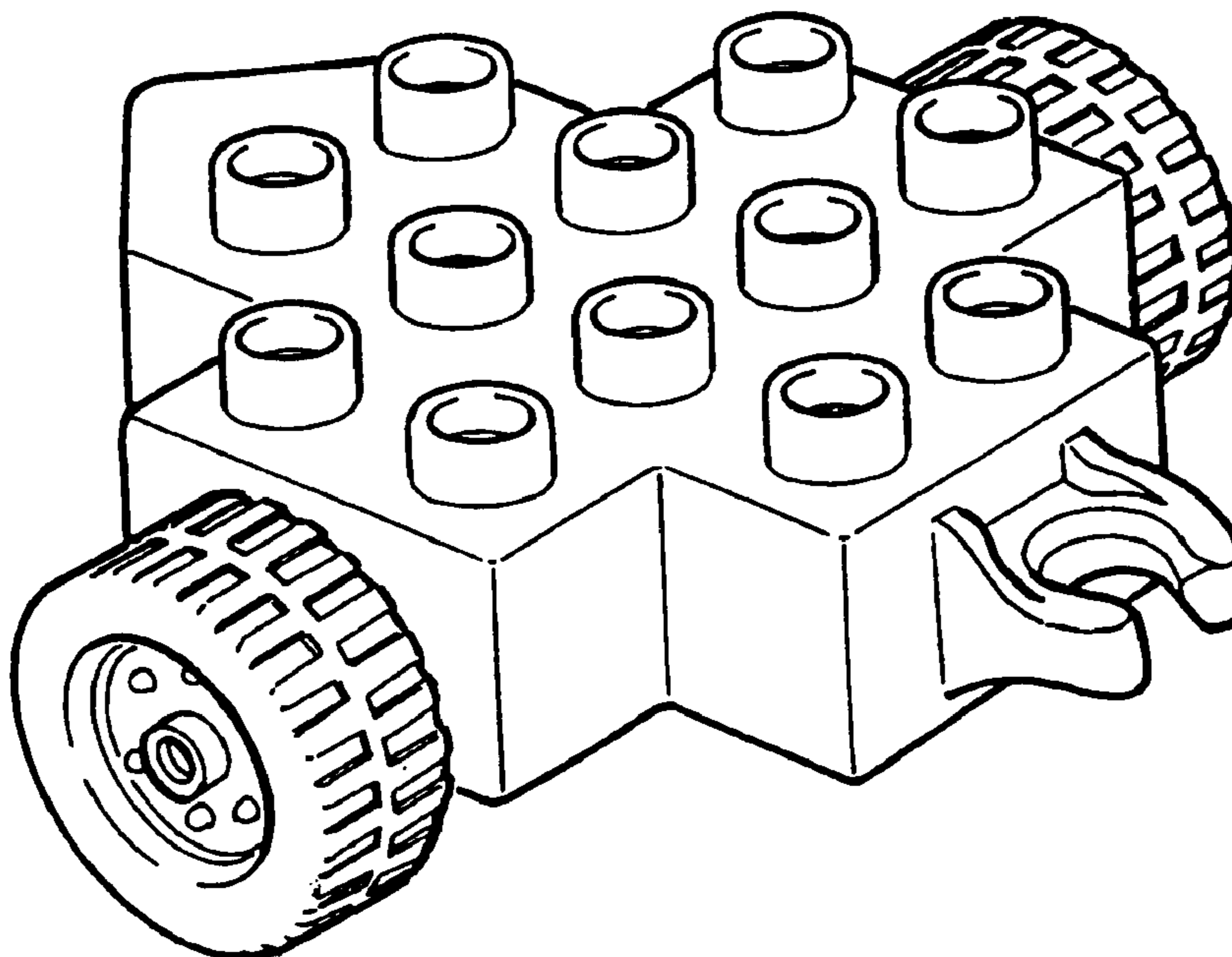
(57) **CLAIM**

The ornamental design for a toy construction set element, as shown and described.

DESCRIPTION

FIG. 1 is a top perspective view of the toy construction set element of the present design;
FIG. 2 is a bottom perspective view thereof;
FIG. 3 is a side view thereof; the other side being identical;
FIG. 4 is a rear view thereof;
FIG. 5 is a front view thereof;
FIG. 6 is a bottom plan view thereof; and,
FIG. 7 is a top plan view thereof.

1 Claim, 3 Drawing Sheets



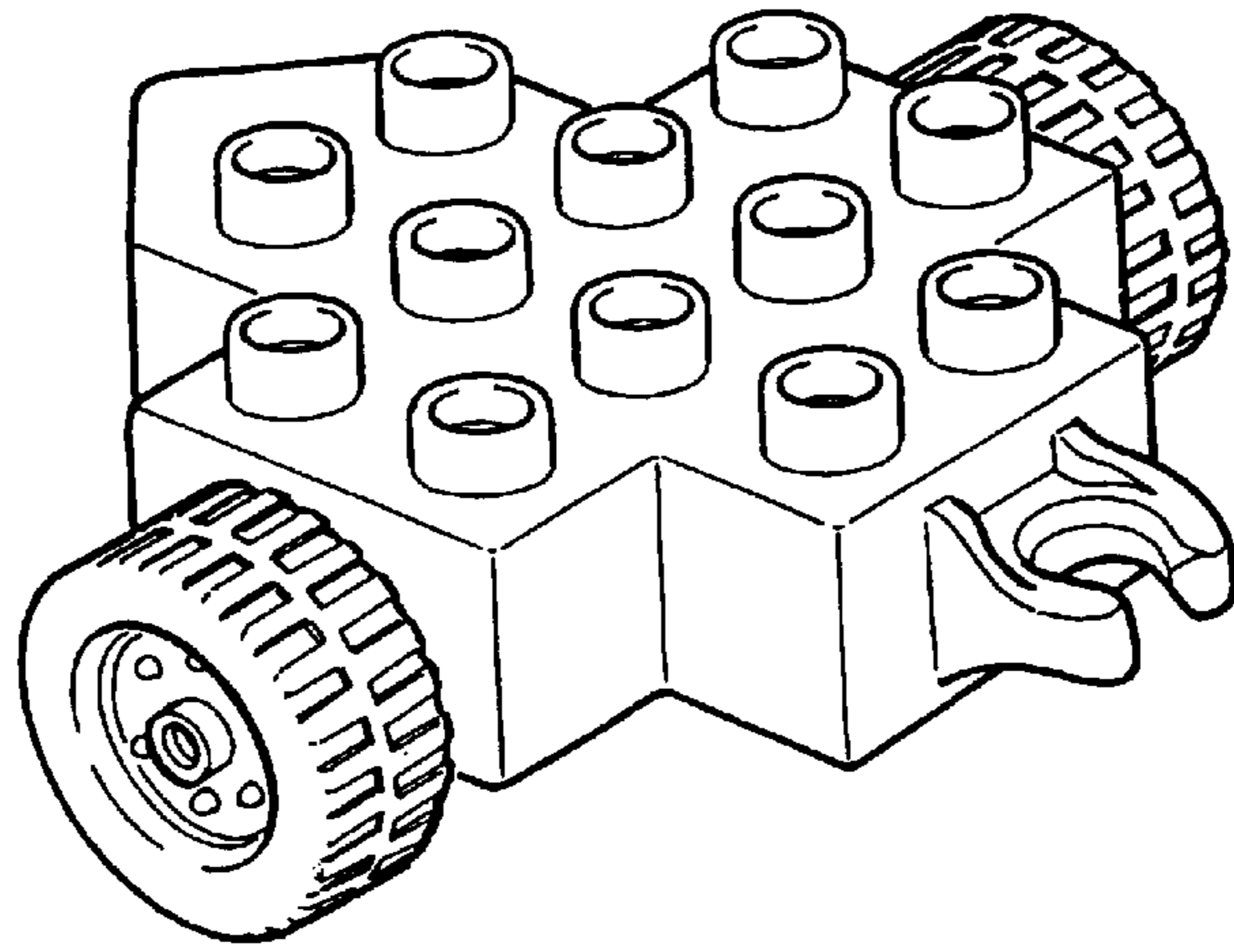


FIG. 1

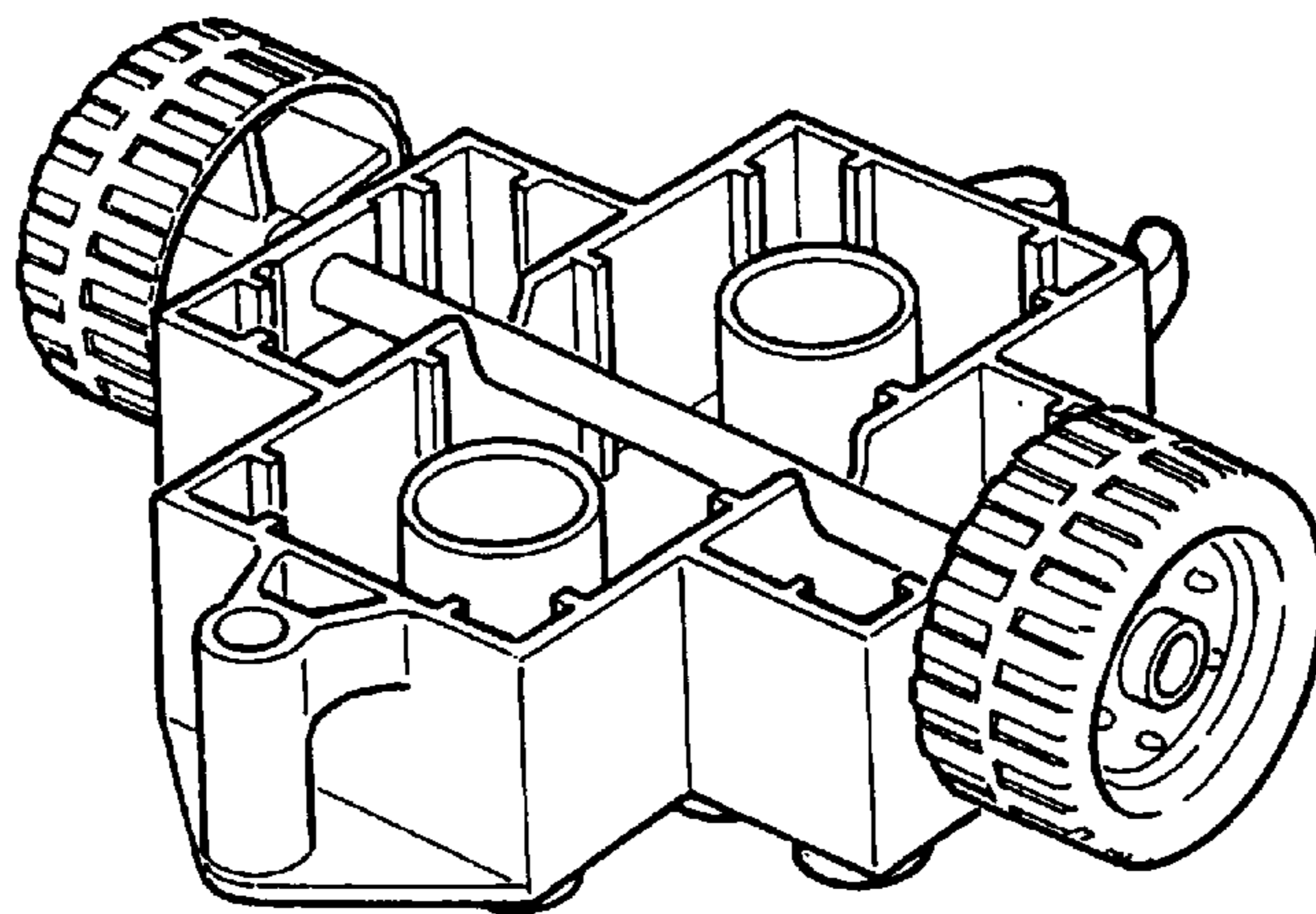


FIG. 2

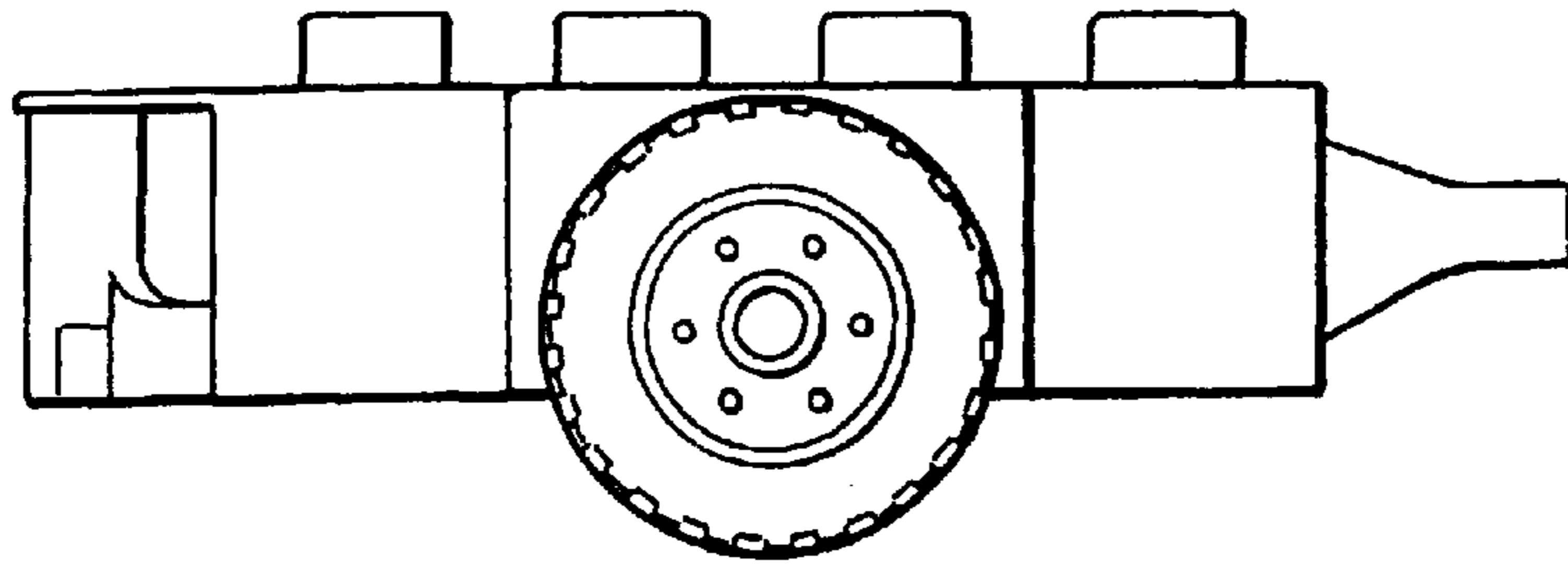


FIG. 3

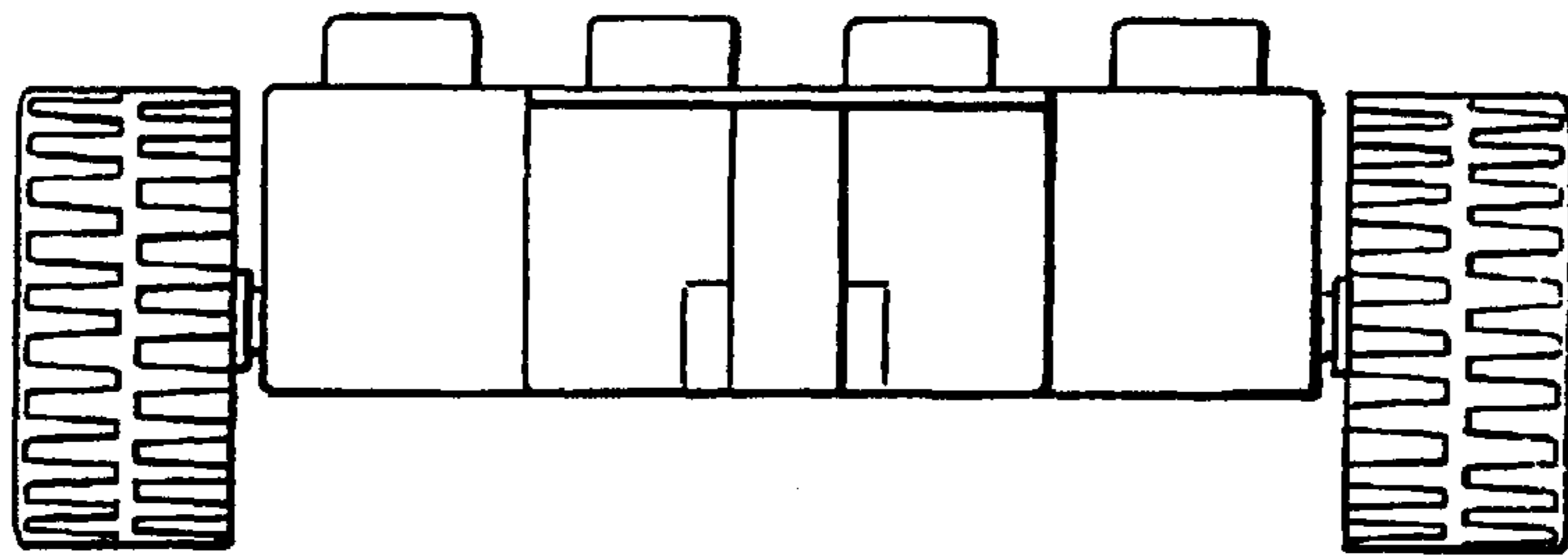


FIG. 4

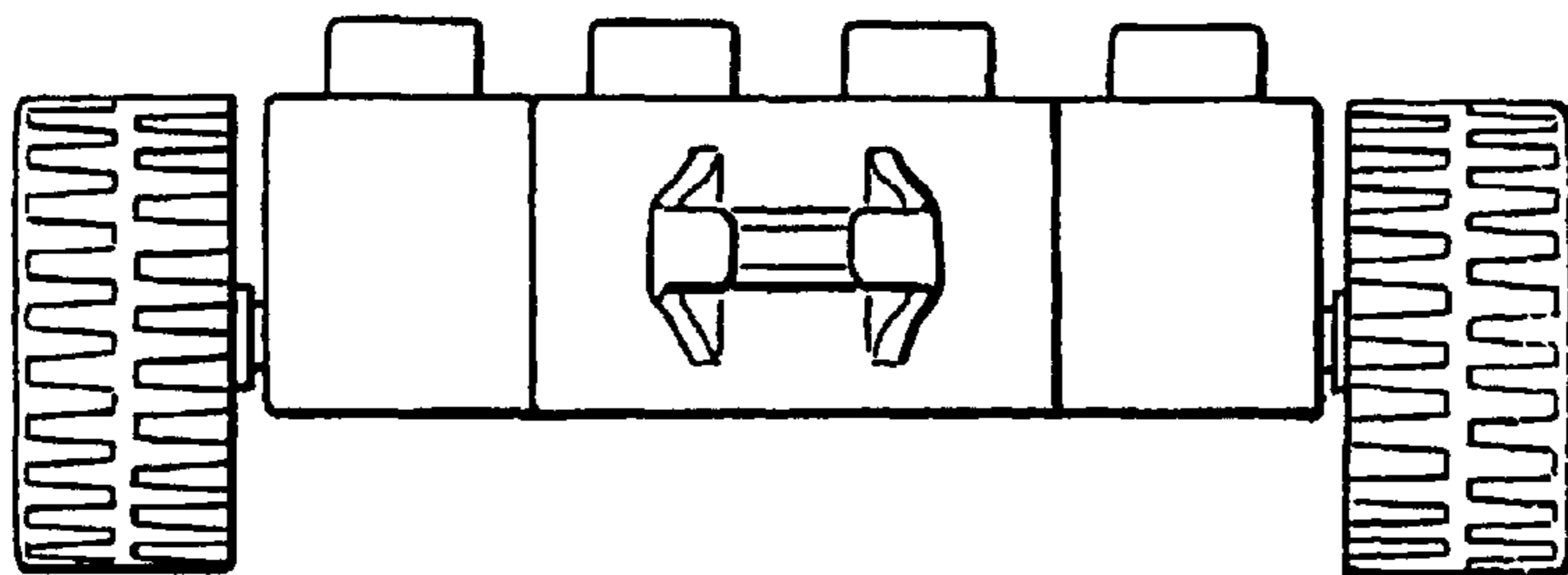


FIG. 5

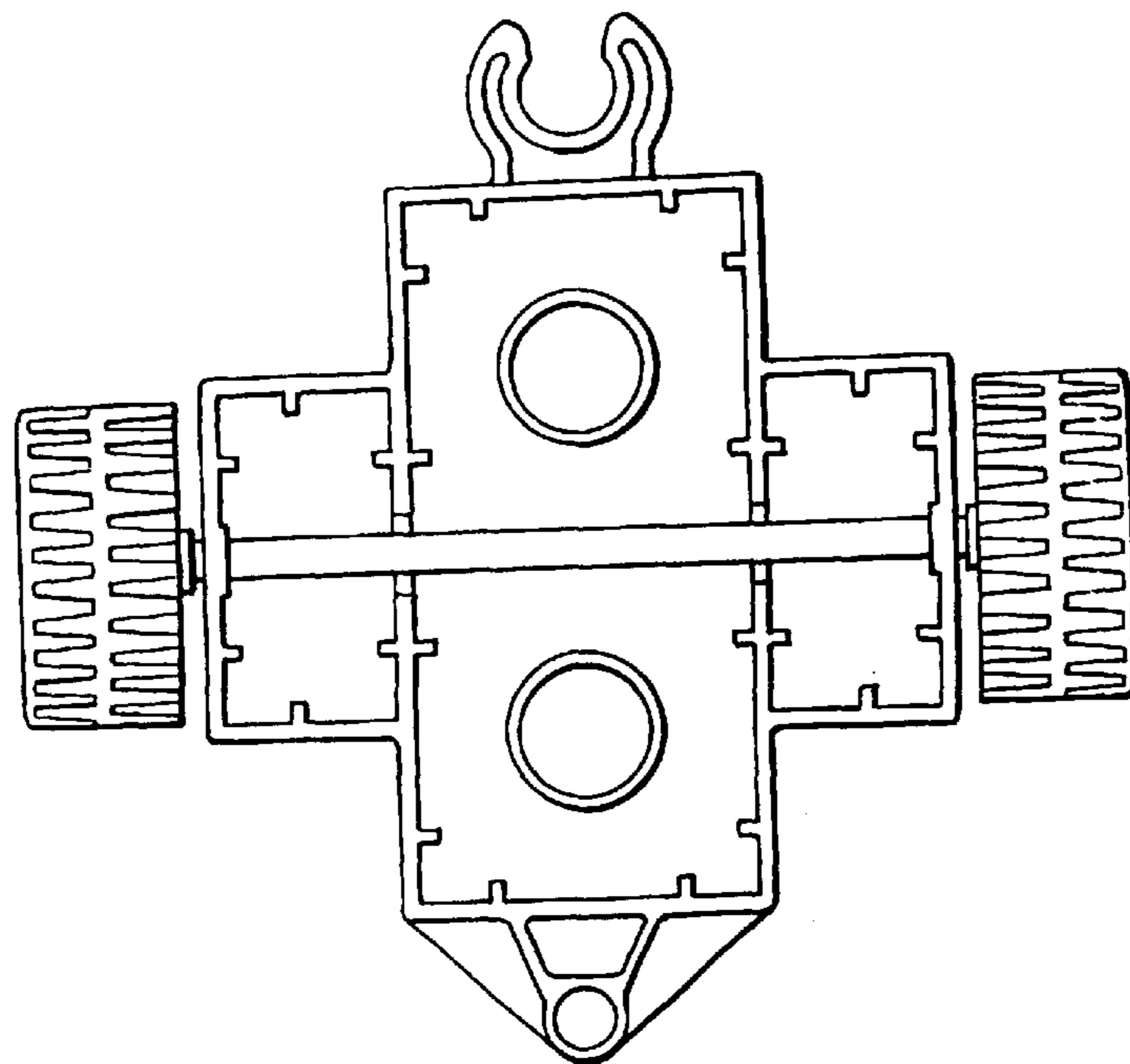


FIG. 6

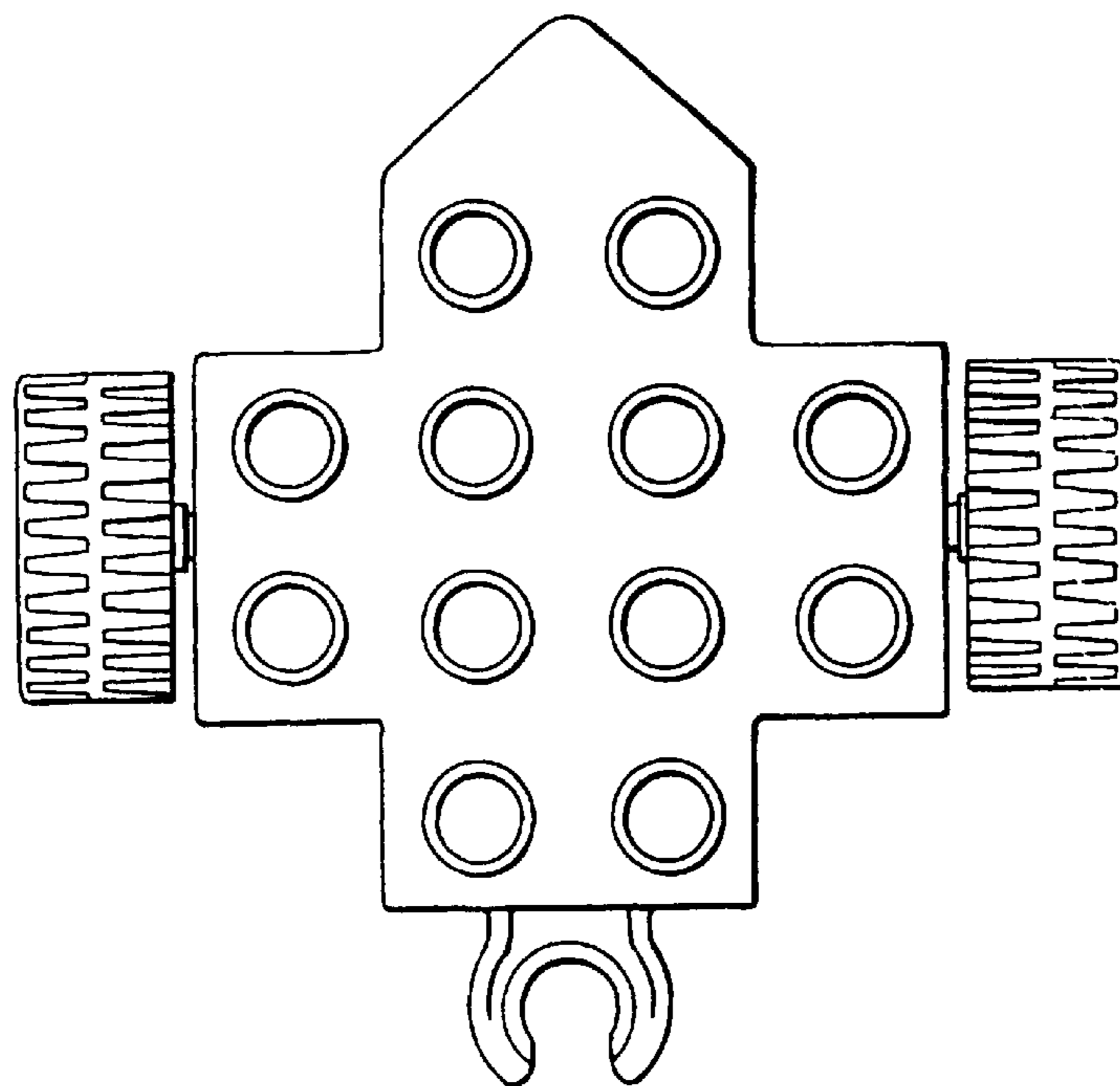


FIG. 7