

US00D541881S

(12) **United States Design Patent**
Habing

(10) **Patent No.:** **US D541,881 S**

(45) **Date of Patent:** **** May 1, 2007**

(54) **TEETER TOTTER BEAM**

(75) **Inventor:** **Theodore G. Habing**, Tustin, CA (US)

(73) **Assignee:** **Dream Visions, LLC**, Tustin, CA (US)

(**) **Term:** **14 Years**

(21) **Appl. No.:** **29/214,810**

(22) **Filed:** **Oct. 7, 2004**

(51) **LOC (8) Cl.** **21-01**

(52) **U.S. Cl.** **D21/412**

(58) **Field of Classification Search** D21/412-435,
D21/486, 487, 497, 503, 662-697, 699, 702,
D21/814-833; D6/344-347, 354, 357, 358,
D6/359, 371, 376, 385-387, 400, 411, 462,
D6/491, 495, 499, 500, 501, 503, 549, 550;
D8/315-321, 376, 380, DIG. 1; D25/126,
D25/131, 132-134, 164; D12/117, 119, 178;
472/4, 5, 14-20, 95-115, 118-125; 297/181,
297/244, 259.3, 271.6, 440.1, 440.24; 211/181
See application file for complete search history.

(56) **References Cited**

U.S. PATENT DOCUMENTS

D161,731 S	*	1/1951	Boren, Sr.	D6/346
2,708,960 A	*	5/1955	Shephard	297/18
2,907,570 A	*	10/1959	Horowitz	472/114
3,151,864 A	*	10/1964	Sandusky	472/114
3,390,879 A	*	7/1968	French	472/113
3,471,196 A	*	10/1969	Gottfried	297/133

3,595,569 A	*	7/1971	Holte	472/4
3,758,108 A	*	9/1973	Tada	472/5
5,117,708 A	*	6/1992	Boyer et al.	74/551.1
D348,911 S	*	7/1994	Herrick et al.	D21/424
5,885,163 A	*	3/1999	Bjorn et al.	472/5
6,213,910 B1	*	4/2001	Matsuo et al.	475/297
D450,952 S	*	11/2001	Stewart	D6/499
6,702,643 B1	*	3/2004	Drosendahl et al.	446/227
D489,190 S	*	5/2004	Tseng	D6/347
2004/0017059 A1	*	1/2004	Jiang	280/279

* cited by examiner

Primary Examiner—Catherine Tuttle

(74) *Attorney, Agent, or Firm*—Blakely, Sokoloff, Taylor & Zafman LLP

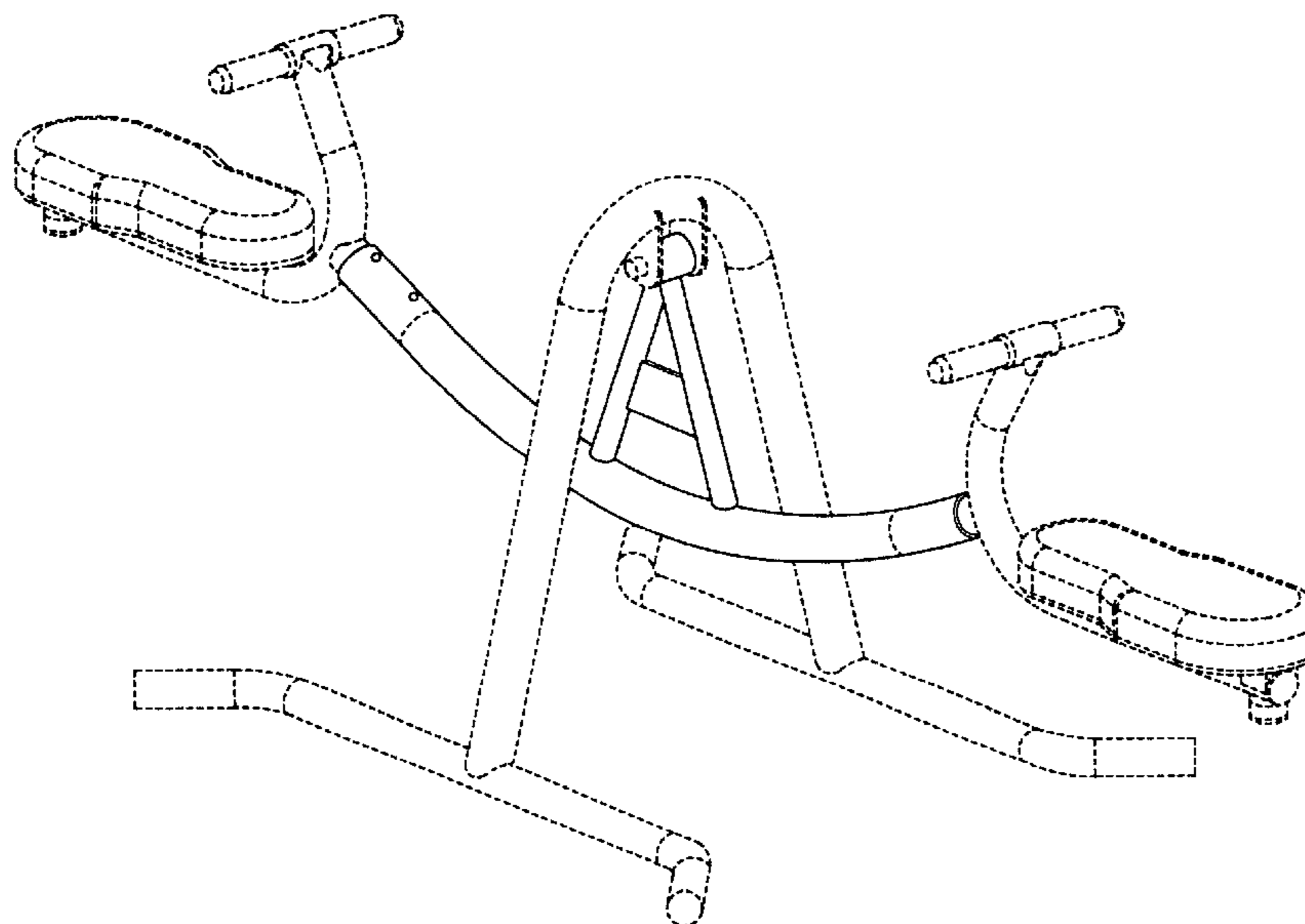
(57) **CLAIM**

The ornamental design for a teeter totter beam, as shown and described.

DESCRIPTION

FIG. 1 is a perspective view of my new design;
FIG. 2 is a top view thereof;
FIG. 3 is a side elevation view thereof, both sides being identical; and,
FIG. 4 is an end elevation view thereof, both ends being identical.
The environmental structure shown in broken lines is for illustrative purposes only and forms no part of the claimed design.

1 Claim, 1 Drawing Sheet



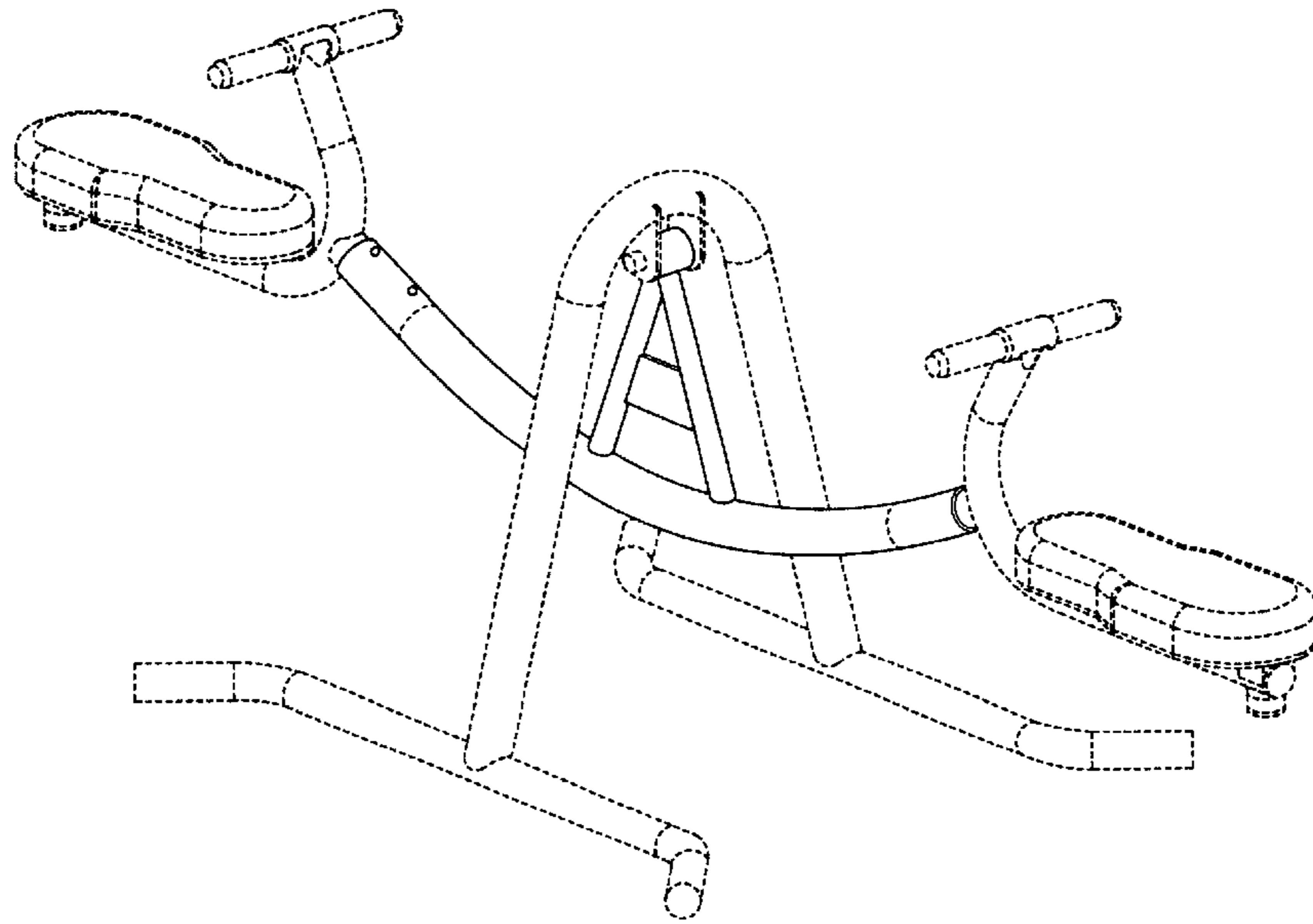


FIG. 1

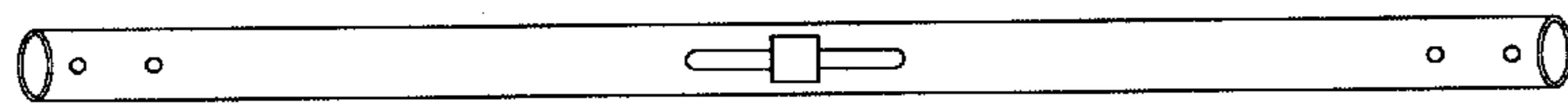


FIG. 2

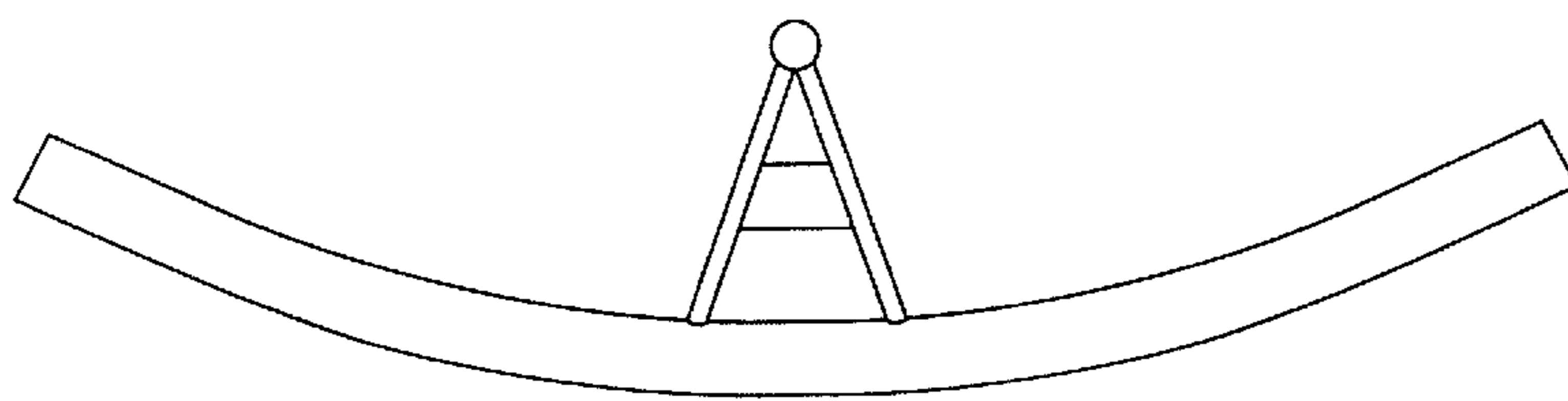


FIG. 3



FIG. 4