

US00D541879S

(12) **United States Design Patent**
Klamer

(10) **Patent No.:** **US D541,879 S**

(45) **Date of Patent:** **** May 1, 2007**

(54) **GAME**

(75) **Inventor:** **Reuben B Klamer**, San Diego, CA (US)

(73) **Assignee:** **The Reuben B. Klamer Living Trust**, San Diego, CA (US)

(**) **Term:** **14 Years**

(21) **Appl. No.:** **29/234,770**

(22) **Filed:** **Jul. 21, 2005**

(51) **LOC (8) Cl.** **21-01**

(52) **U.S. Cl.** **D21/385; D21/371**

(58) **Field of Classification Search** D21/334-369, D21/371, 374, 385-386, 392-396; 273/236-288, 273/139, 142 R, 142 H, 292, 148 R
See application file for complete search history.

(56) **References Cited**

U.S. PATENT DOCUMENTS

4,291,881 A	9/1981	Klamer	
4,469,329 A *	9/1984	Guyer	273/146
4,941,665 A	7/1990	Klamer	
2005/0023749 A1 *	2/2005	Annis et al.	273/292

* cited by examiner

Primary Examiner—Sandra L. Morris

(74) *Attorney, Agent, or Firm*—Snell & Wilmer LLP

(57) **CLAIM**

The ornamental design for a game, as shown and described.

DESCRIPTION

Dotted lines shown in the accompanying drawings are intended to illustrate environmental features not intended to be a part of the claimed drawing in the figures in which they appear.

FIG. 1 is a perspective view of a game showing an embodiment of the new design;

FIG. 2 is a right side view of the game of FIG. 1;

FIG. 3 is a left side view of the game of FIG. 1;

FIG. 4 is a back view of the game of FIG. 1;

FIG. 5 is a front view of the game of FIG. 1;

FIG. 6 is a top view of the game of FIG. 1;

FIG. 7 is a bottom view of the game of FIG. 1;

FIG. 8 is a top view of a second embodiment thereof;

FIG. 9 is a perspective view of a foldable third embodiment thereof;

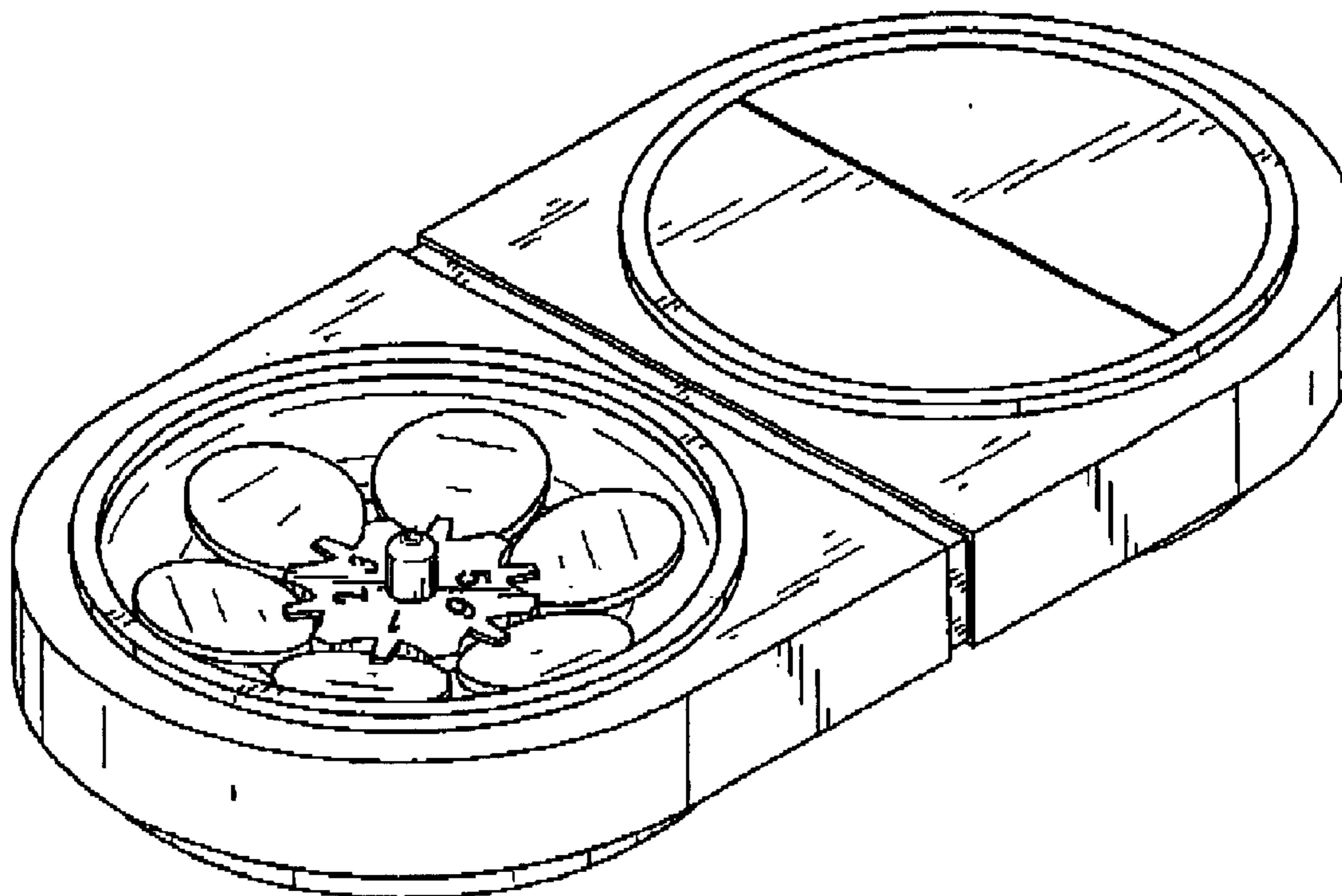
FIG. 10 is a perspective view of a fourth embodiment thereof;

FIG. 11 is a sectional view of the game in FIG. 1; and,

FIG. 12 is a top view of a fifth embodiment thereof.

Dotted lines shown in the accompanying drawings are intended to illustrate environmental features not intended to be a part of the claimed drawing in the figures in which they appear.

1 Claim, 9 Drawing Sheets



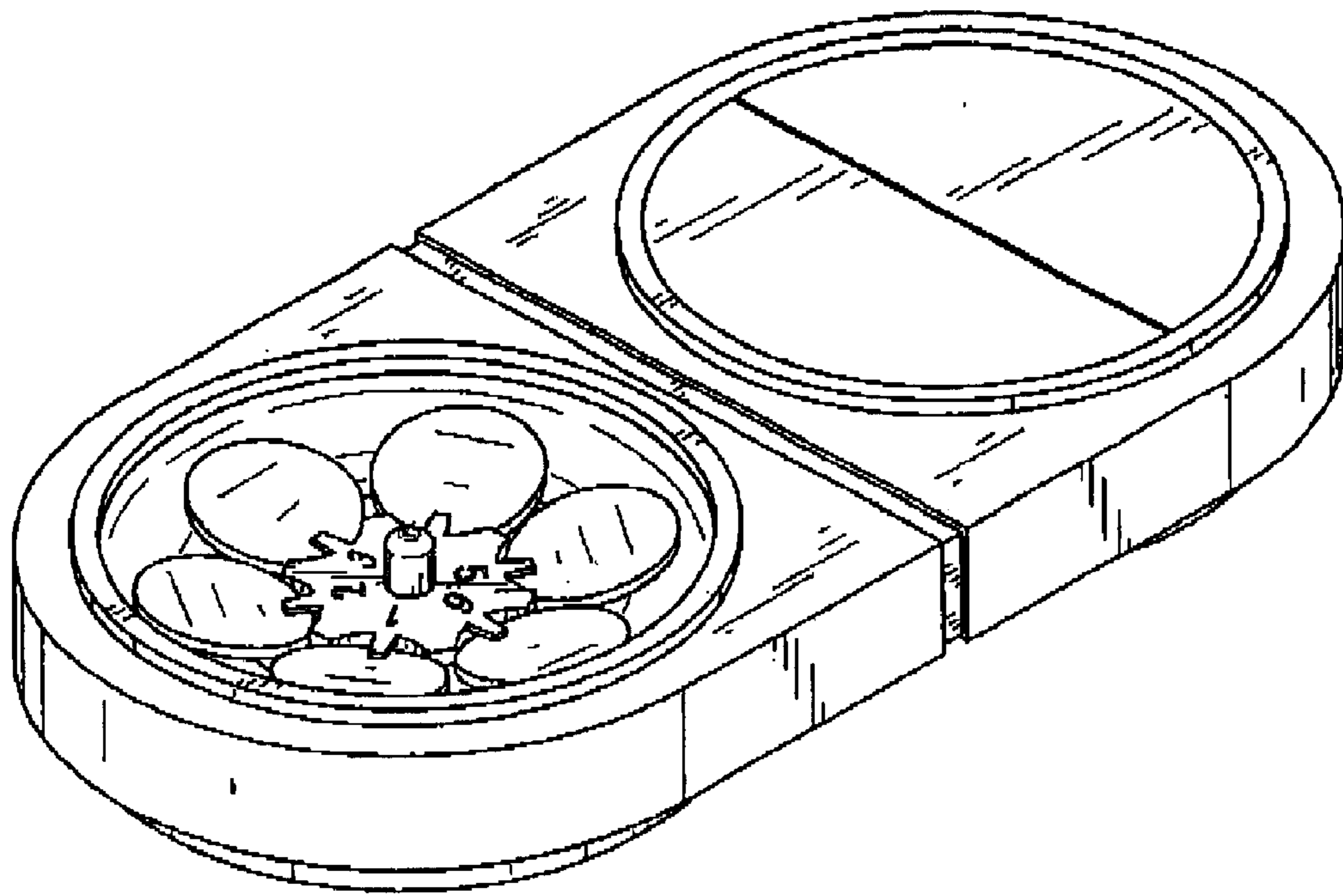


FIG.1

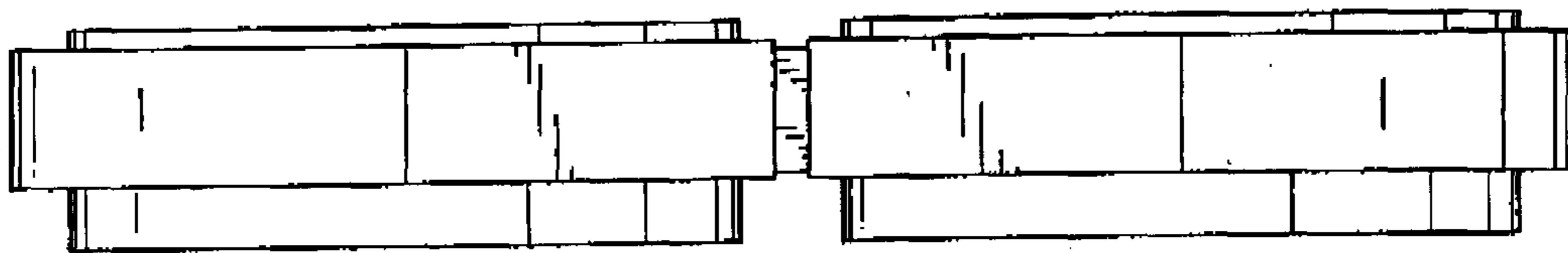


FIG. 2

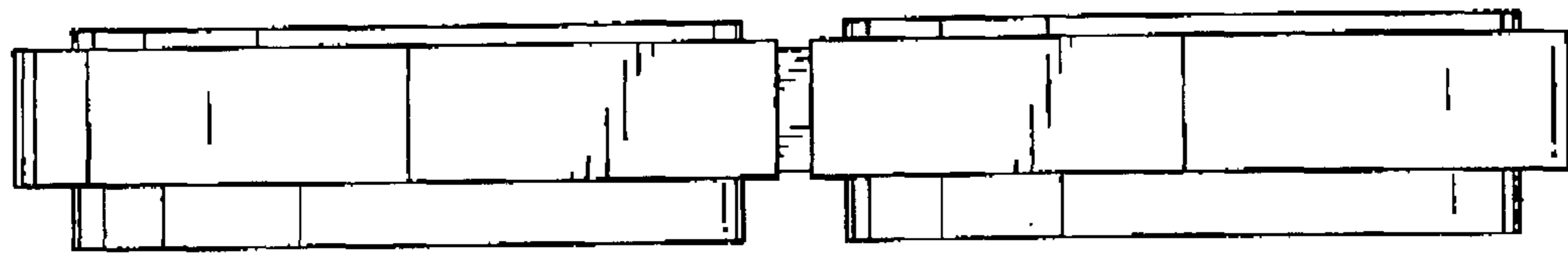


FIG. 3

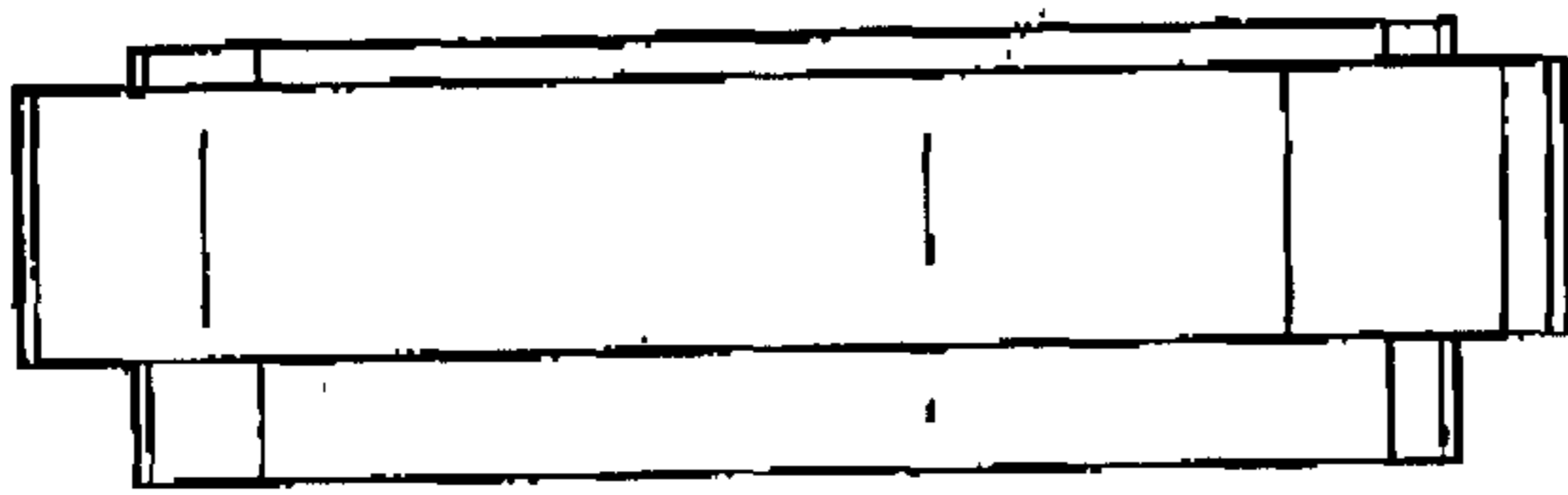


FIG.4

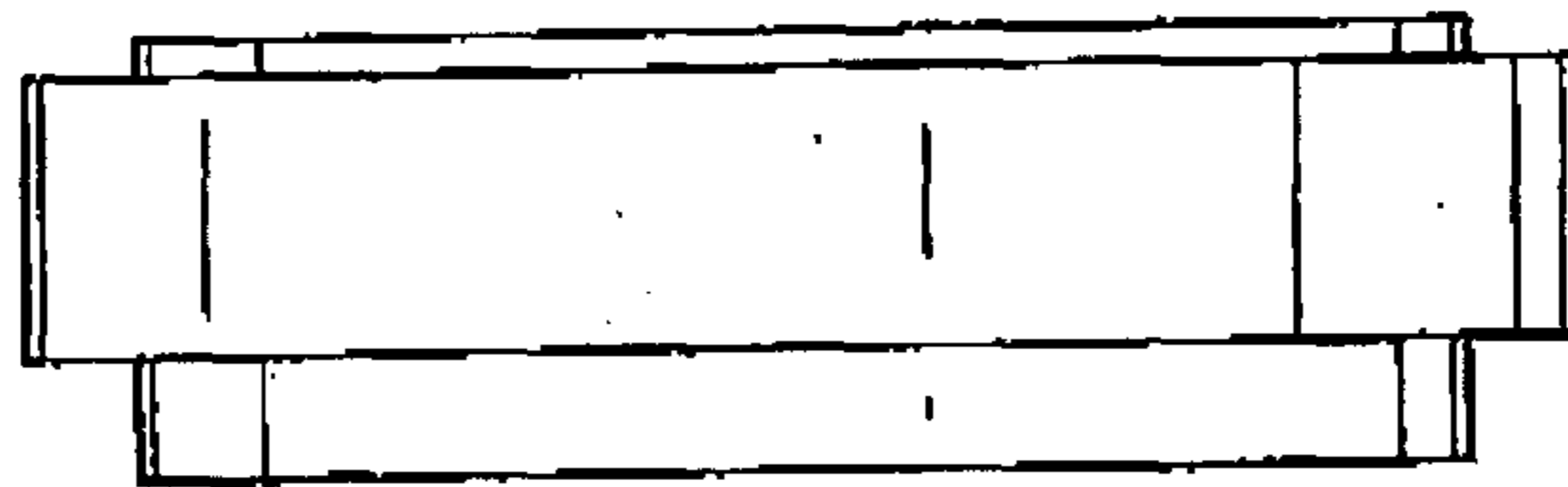


FIG.5

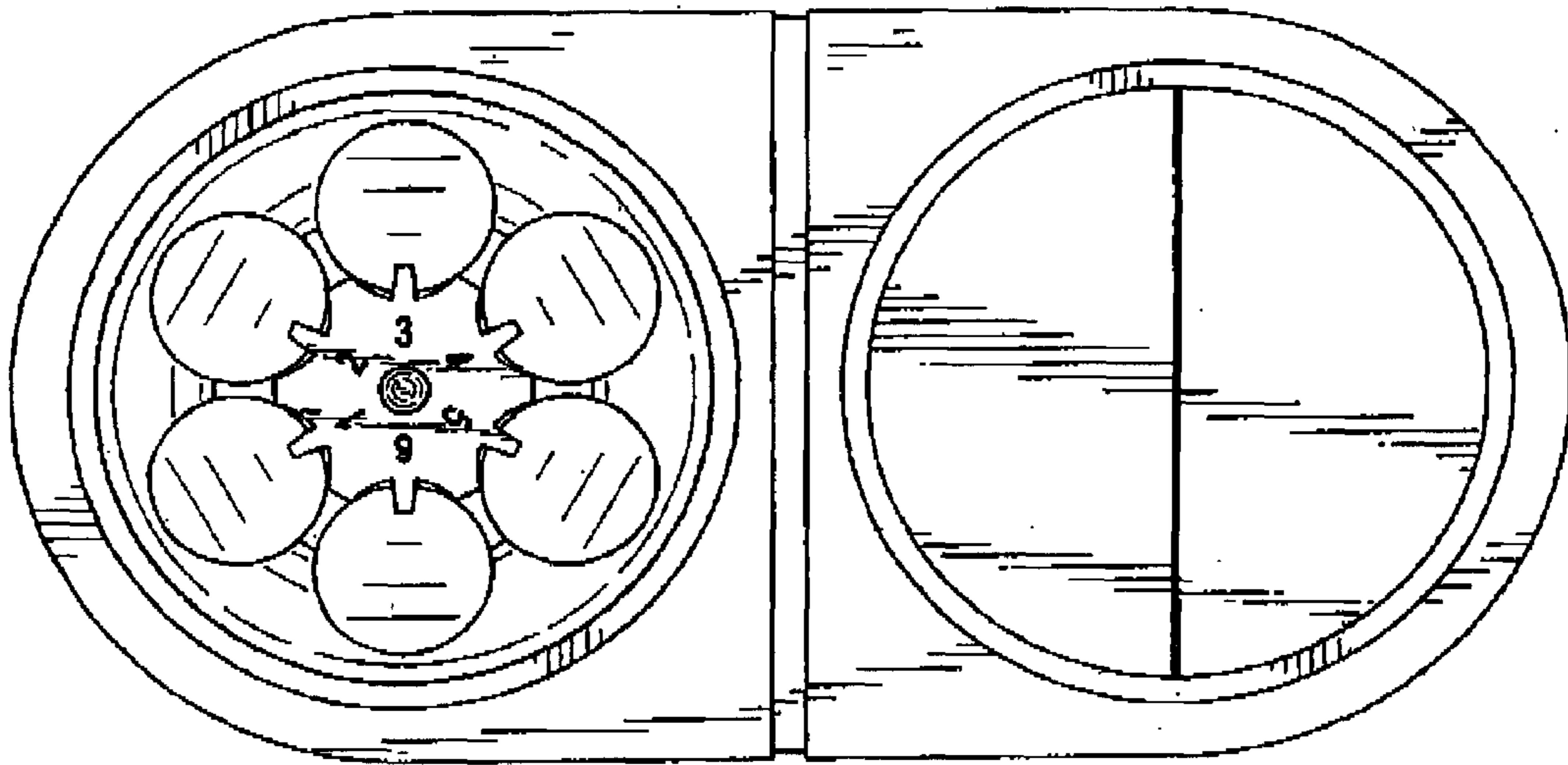


FIG. 6

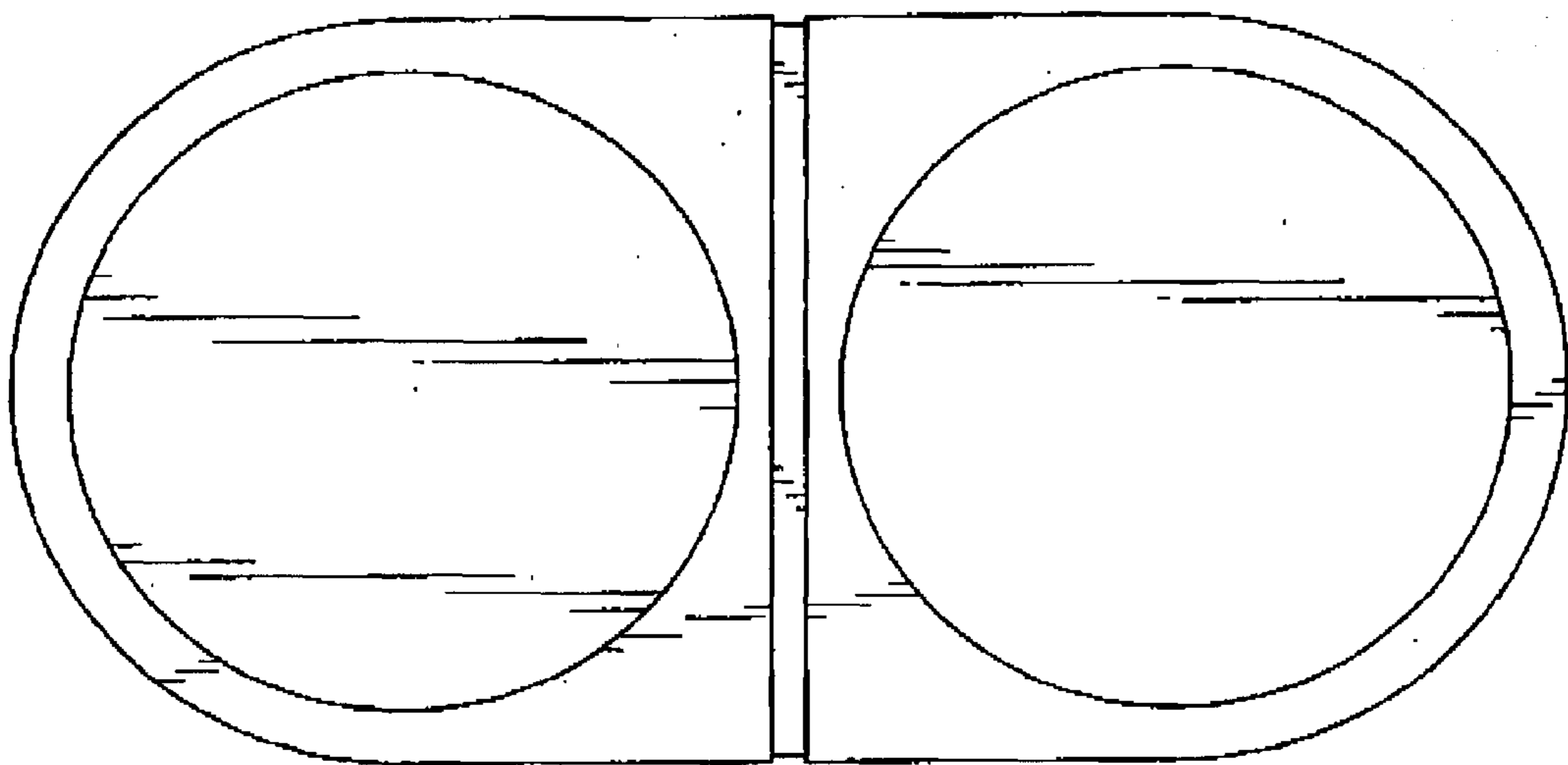


FIG. 7

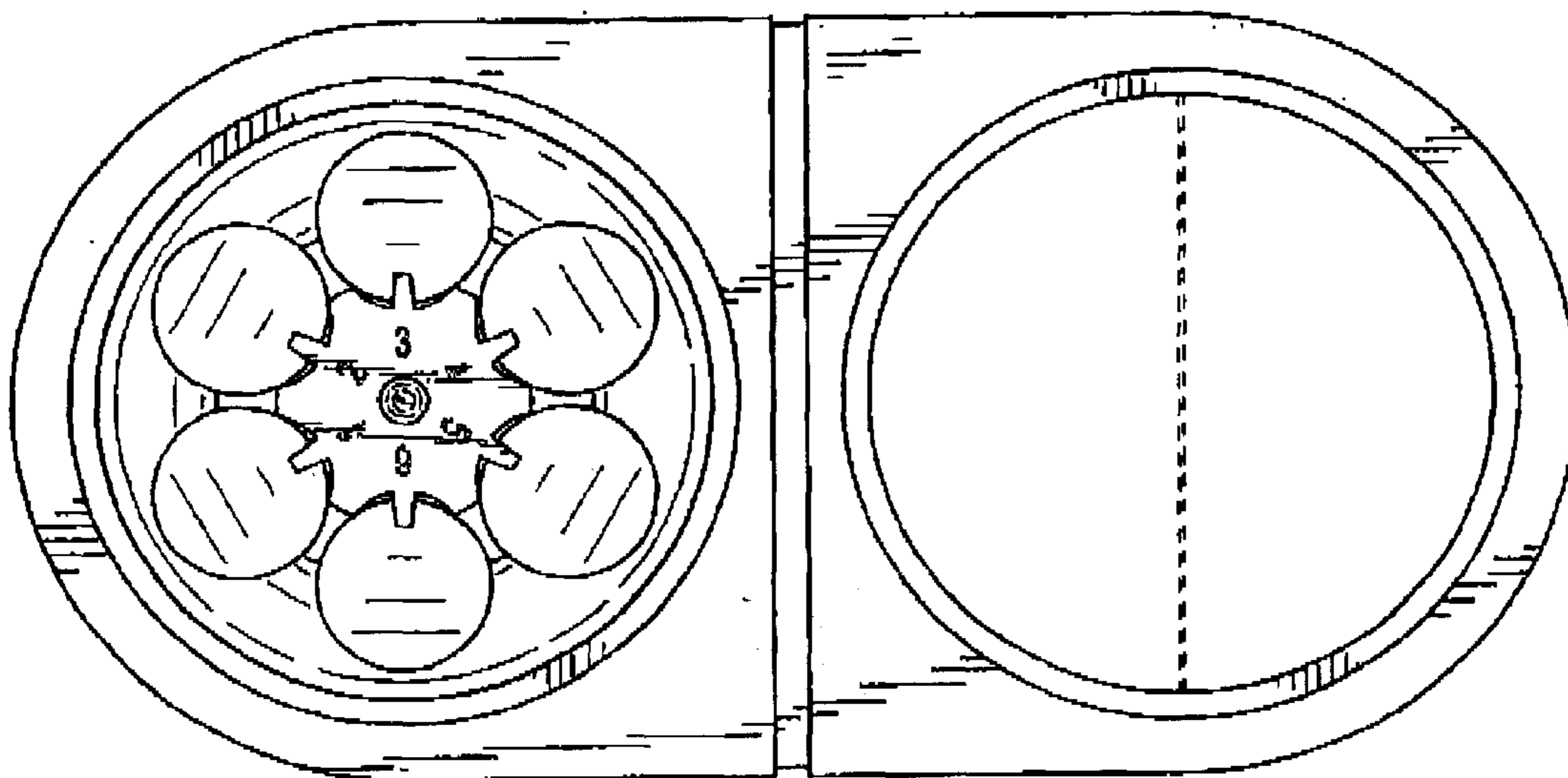


FIG.8

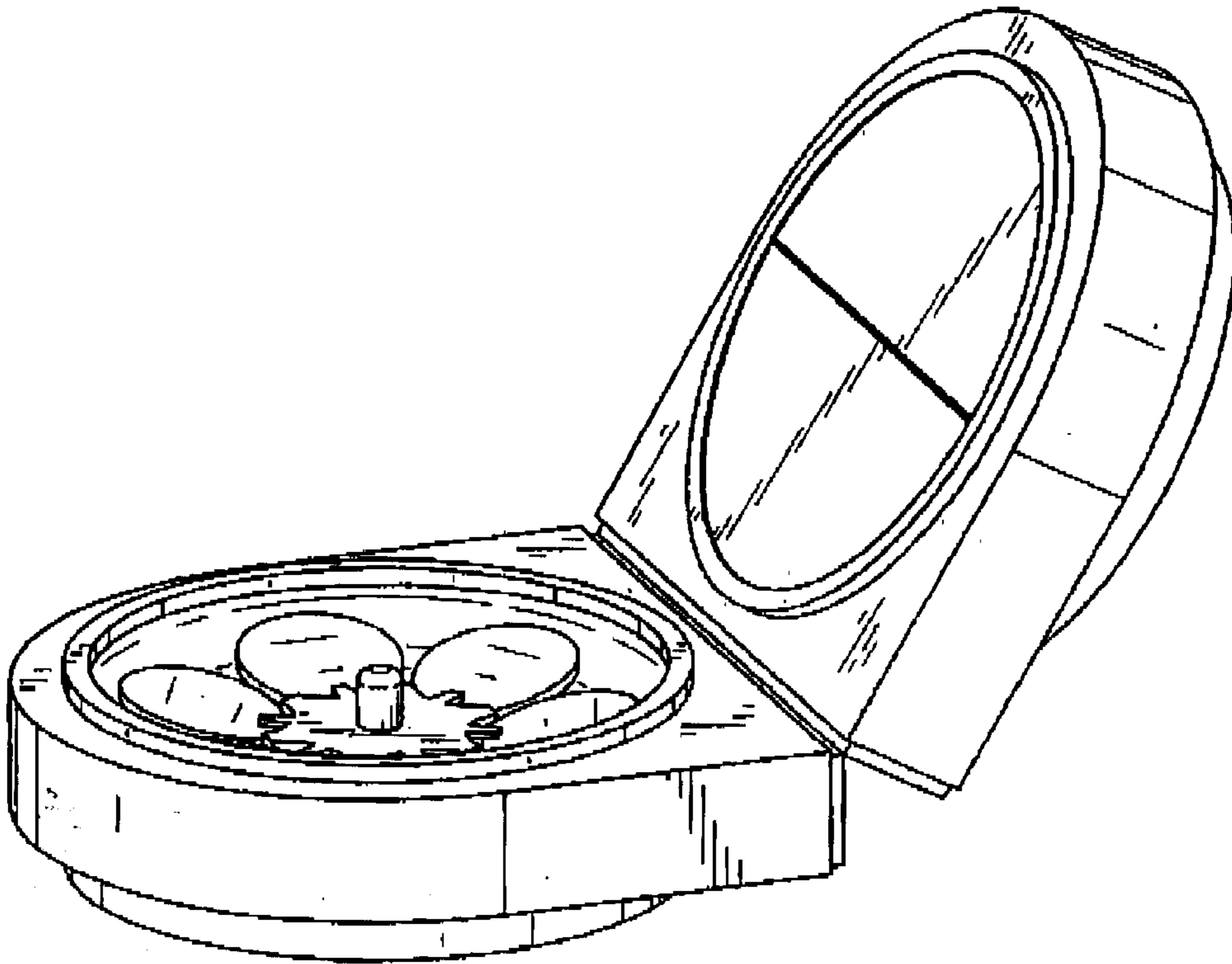


FIG.9

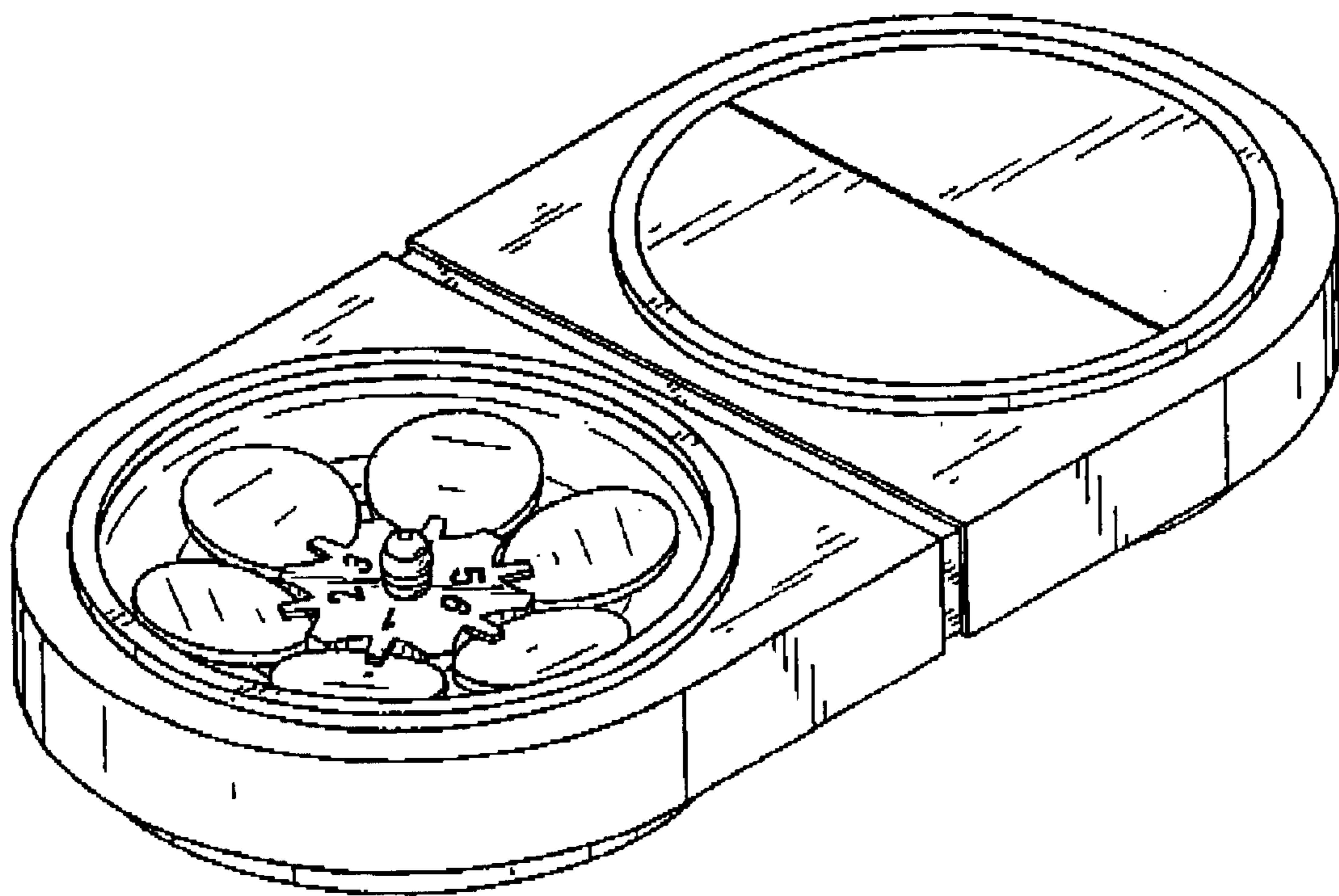


FIG.10

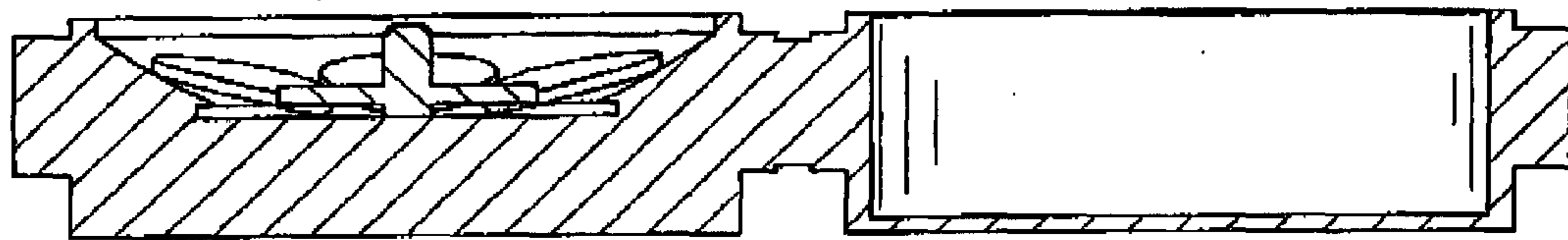


FIG. 11

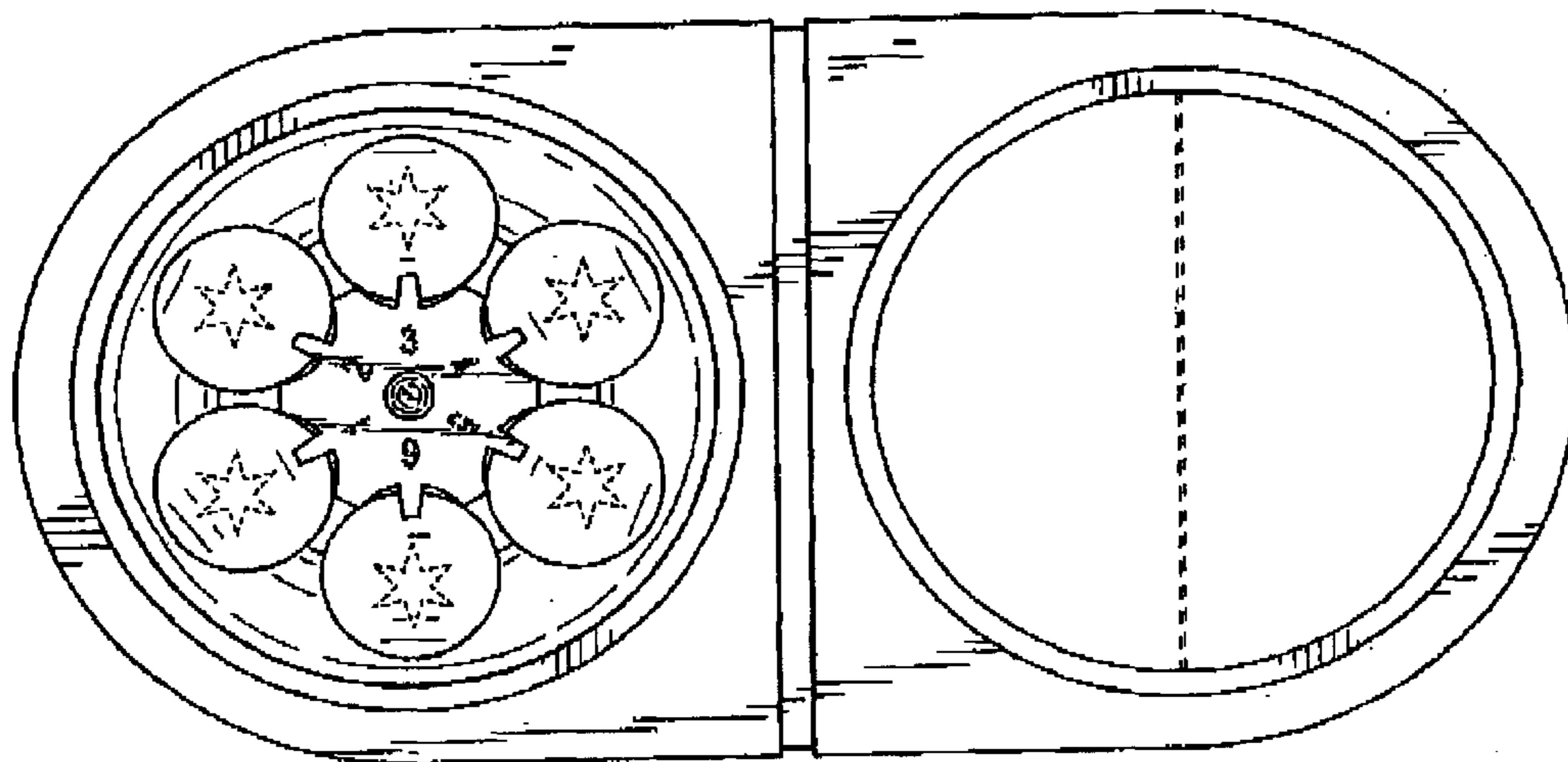


FIG.12