

US00D541876S

(12) **United States Design Patent**
Avery

(10) **Patent No.:** **US D541,876 S**

(45) **Date of Patent:** **** May 1, 2007**

(54) **GAME CONSOLE**

(75) Inventor: **Jason Avery**, Berkeley, CA (US)

(73) Assignee: **LeapFrog Enterprise, Inc.**, Emeryville, CA (US)

(**) Term: **14 Years**

(21) Appl. No.: **29/260,727**

(22) Filed: **May 30, 2006**

(51) **LOC (8) Cl.** **21-01**

(52) **U.S. Cl.** **D21/332**

(58) **Field of Classification Search** D21/324,
D21/328, 332, 333; D14/400, 401, 496, 433;
273/148 B, 148 A; 345/156-161; 463/1,
463/29-35, 46, 47

See application file for complete search history.

(56) **References Cited**

U.S. PATENT DOCUMENTS

D299,726 S	*	2/1989	Yukawa	D21/332
D379,832 S	*	6/1997	Ashida	D21/332
D412,940 S	*	8/1999	Kato et al.	D21/324
D419,199 S	*	1/2000	Cordell et al.	D21/332
D435,272 S	*	12/2000	Swanson et al.	D21/328
6,540,611 B1	*	4/2003	Nagata	463/31

6,565,444 B2	*	5/2003	Nagata et al.	463/46
D491,613 S	*	6/2004	Kawabata	D21/333
6,872,139 B2	*	3/2005	Sato et al.	463/39
D503,750 S	*	4/2005	Kit et al.	D21/324
7,003,588 B1	*	2/2006	Takeda et al.	710/8
7,118,483 B2	*	10/2006	Beadell et al.	463/46

* cited by examiner

Primary Examiner—Prabhakar Deshmukh

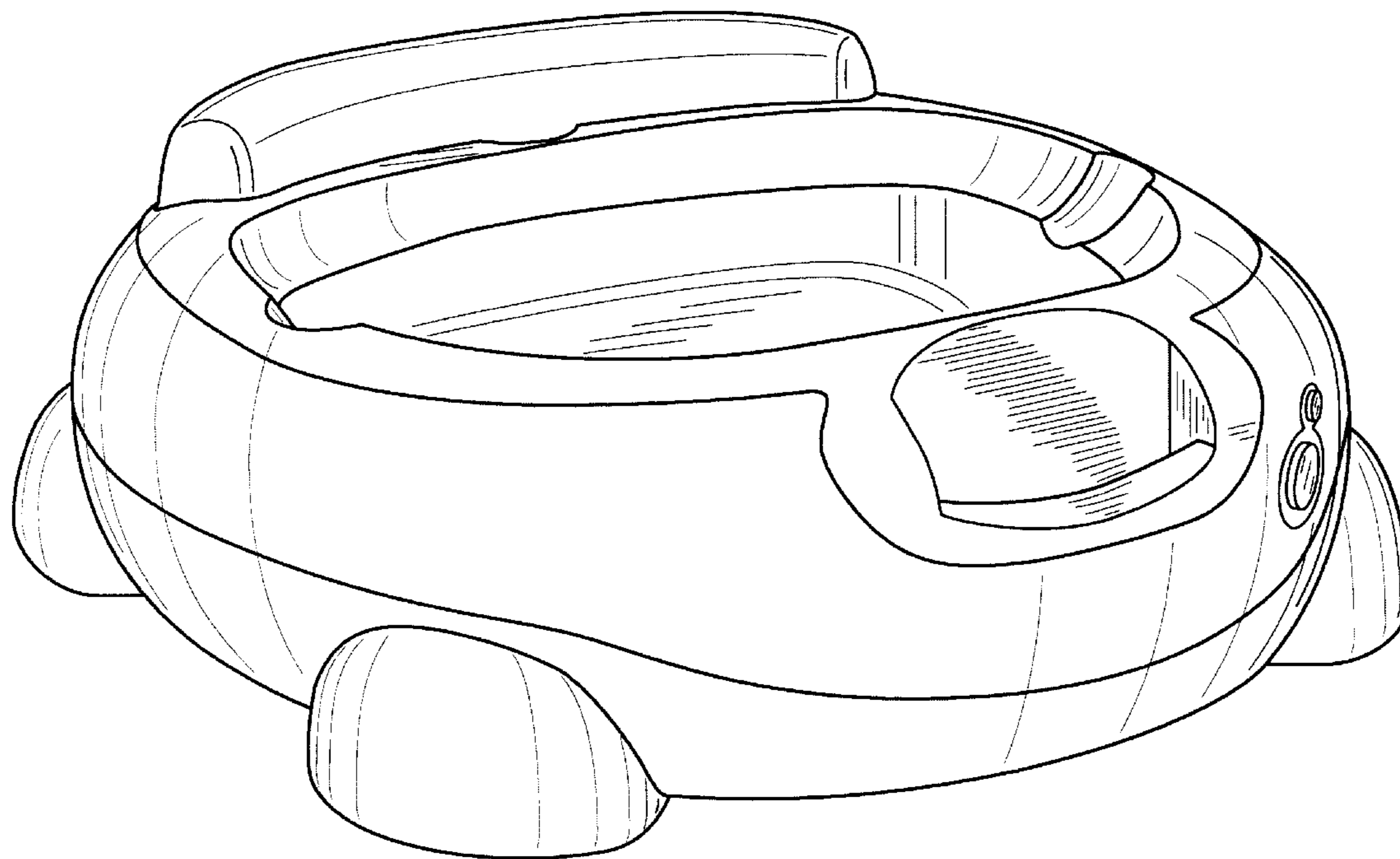
(57) **CLAIM**

I claim the ornamental design for a game console, as shown and described.

DESCRIPTION

FIG. 1 is an upper left front perspective view of a game console showing my new design, with a game controller shown in dashed lines for illustrative purposes only and forms no part of the claimed design;
 FIG. 2 is an upper left front perspective view thereof;
 FIG. 3 is a front elevational view thereof;
 FIG. 4 is a top plan view thereof;
 FIG. 5 is a rear elevational view thereof;
 FIG. 6 is a bottom plan view thereof;
 FIG. 7 is a left side elevational view thereof; and,
 FIG. 8 is a right side elevational view thereof.

1 Claim, 5 Drawing Sheets



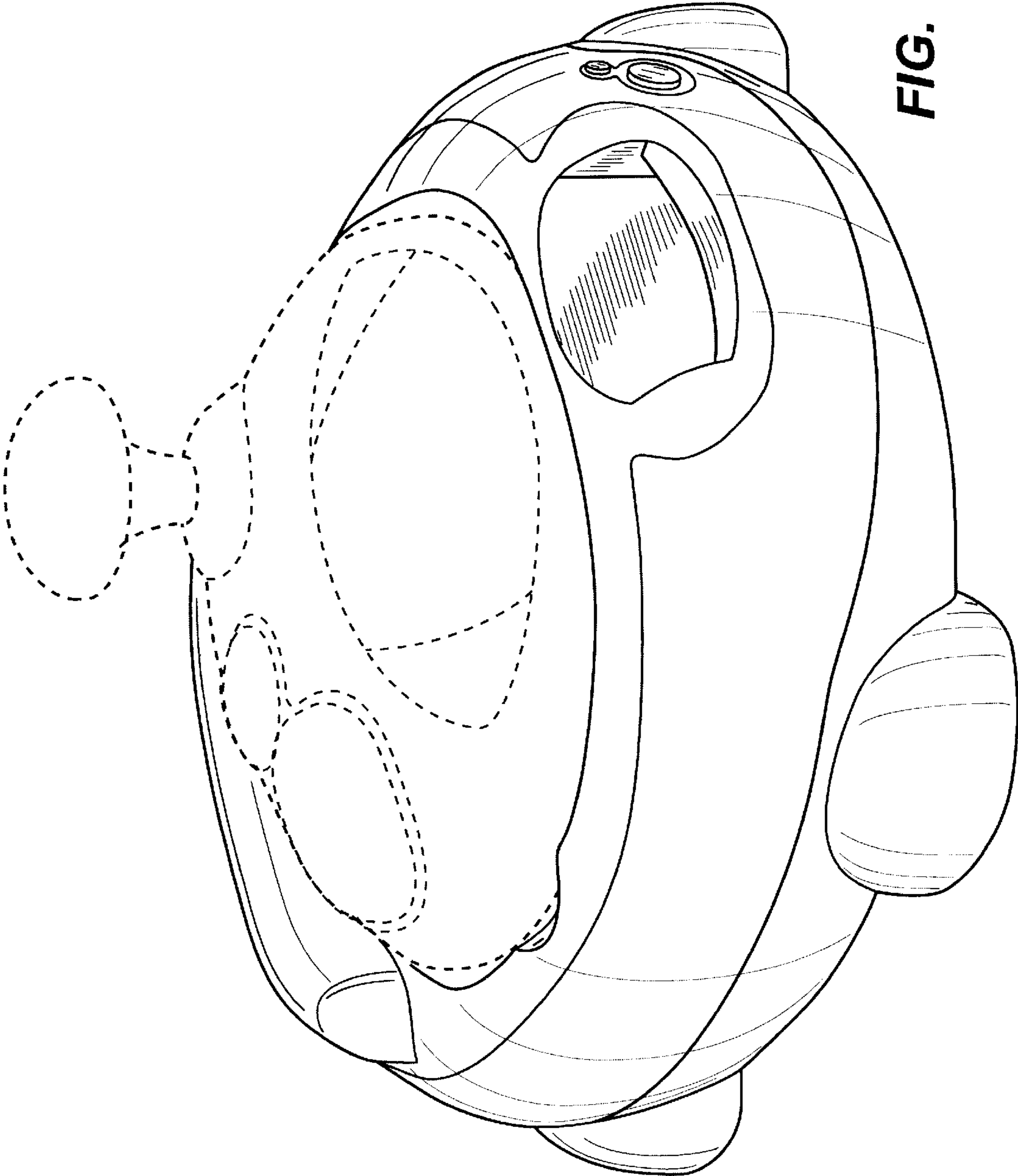


FIG. 1

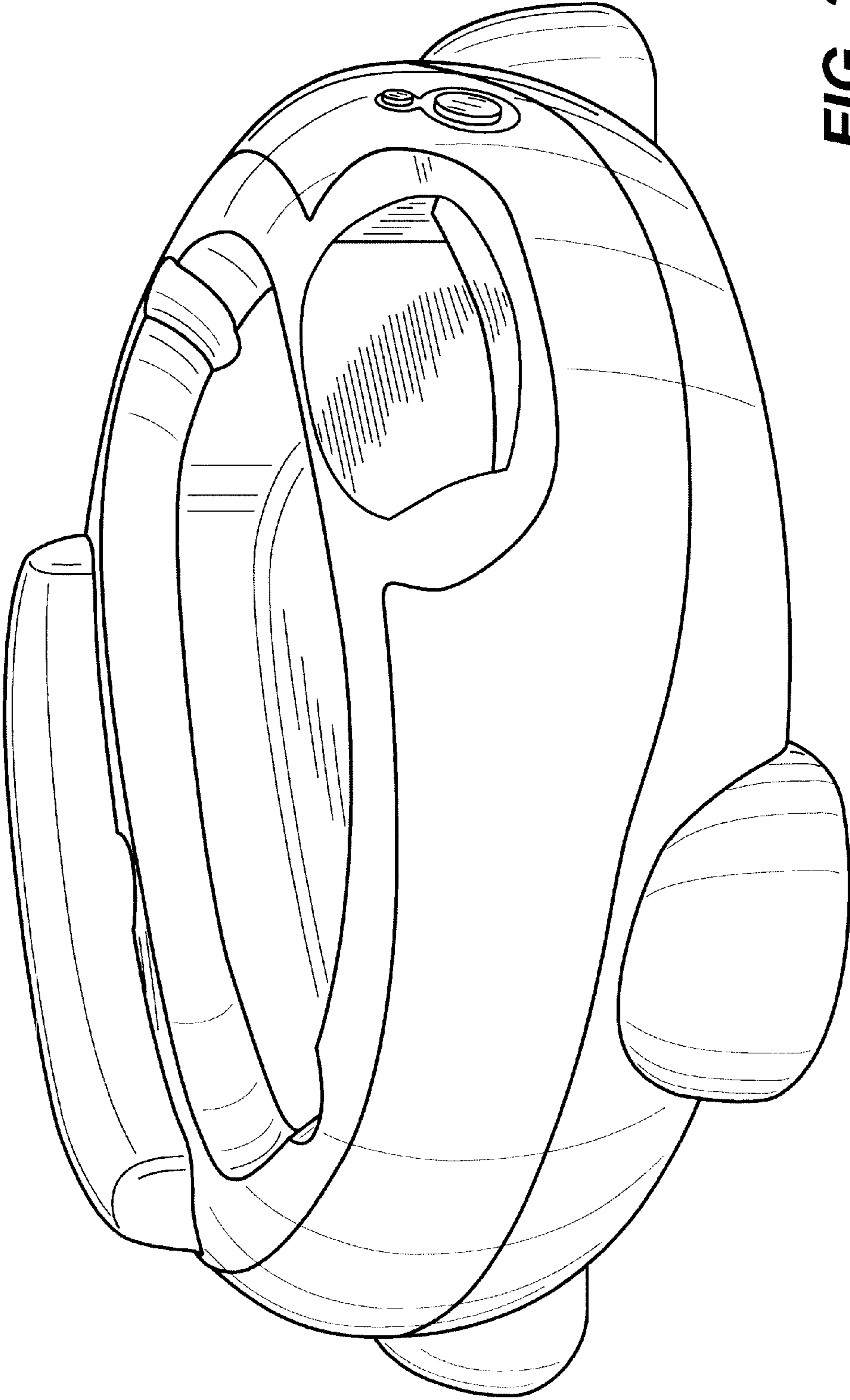


FIG. 2

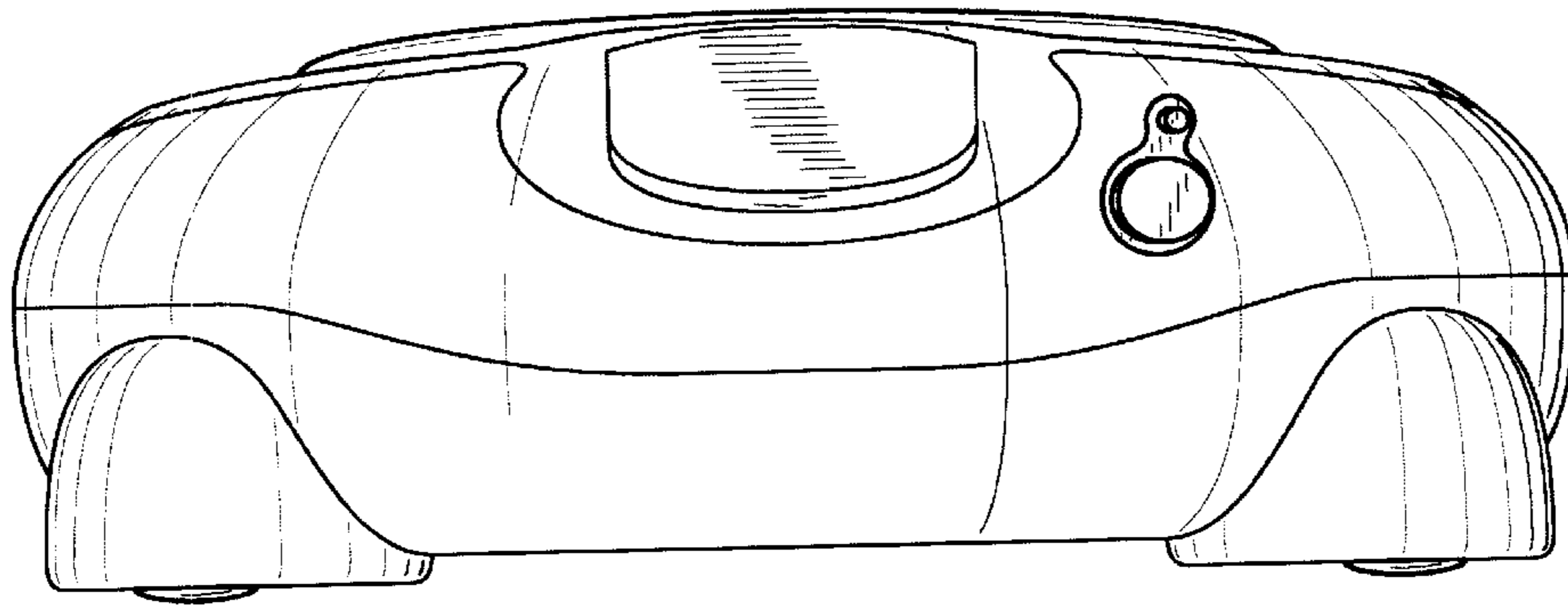


FIG. 3

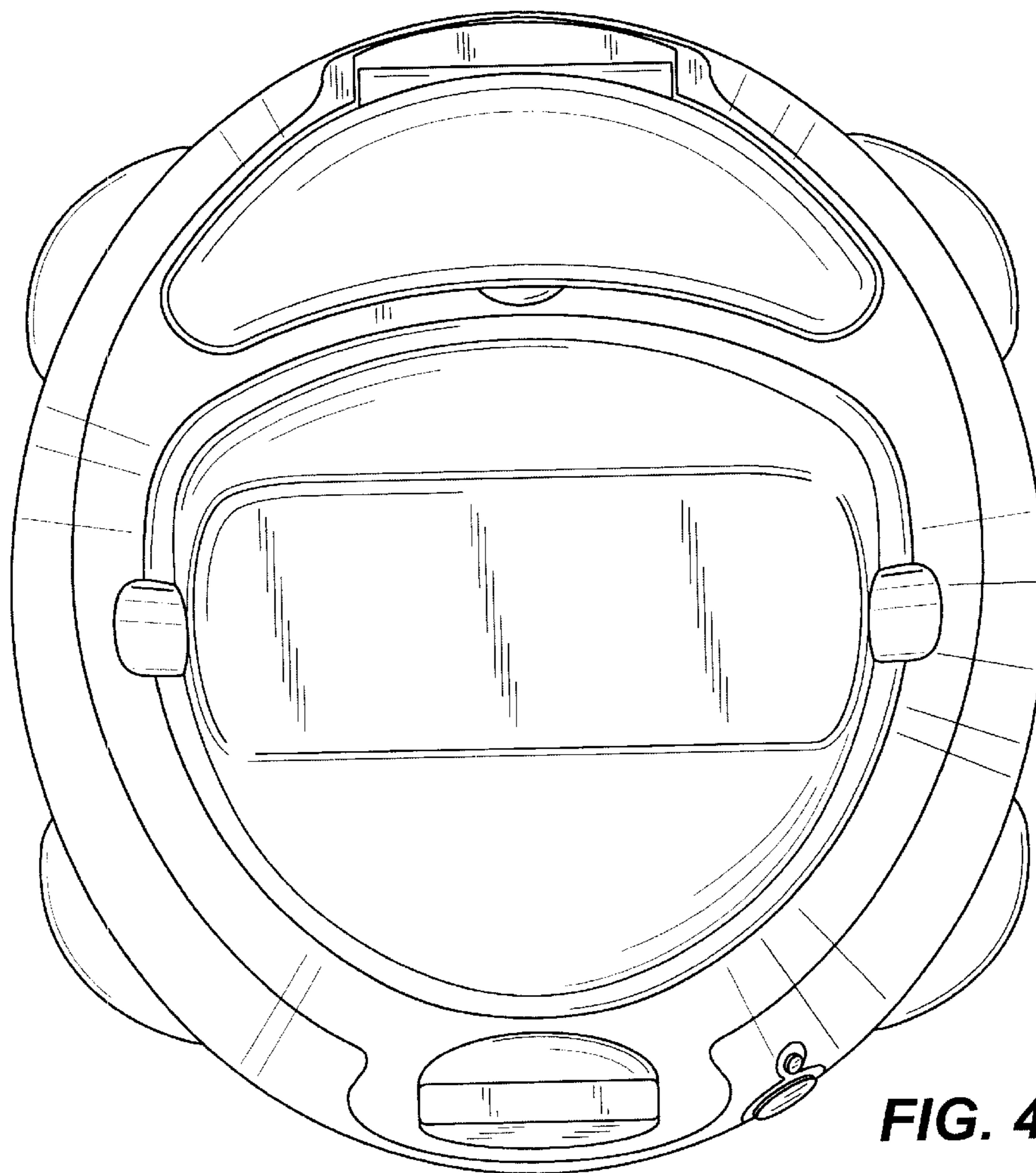


FIG. 4

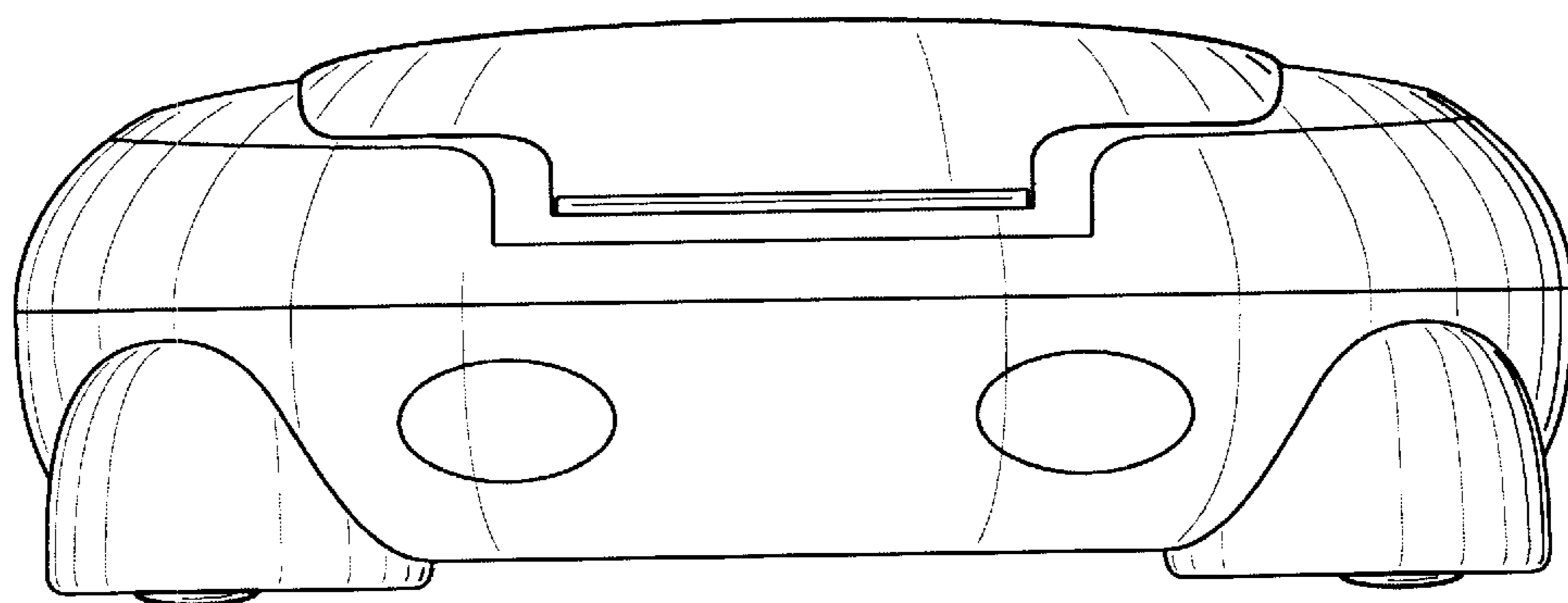


FIG. 5

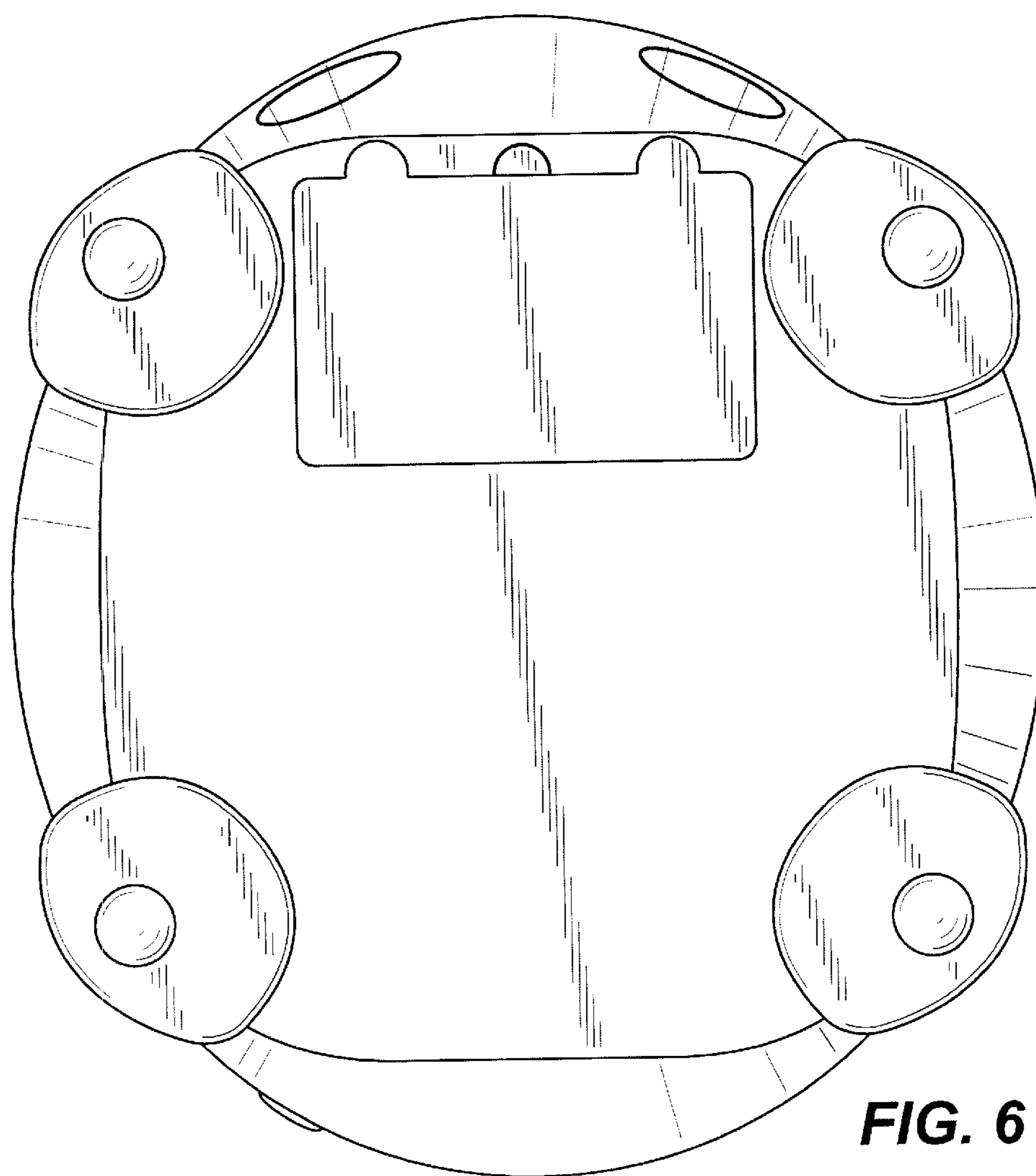


FIG. 6

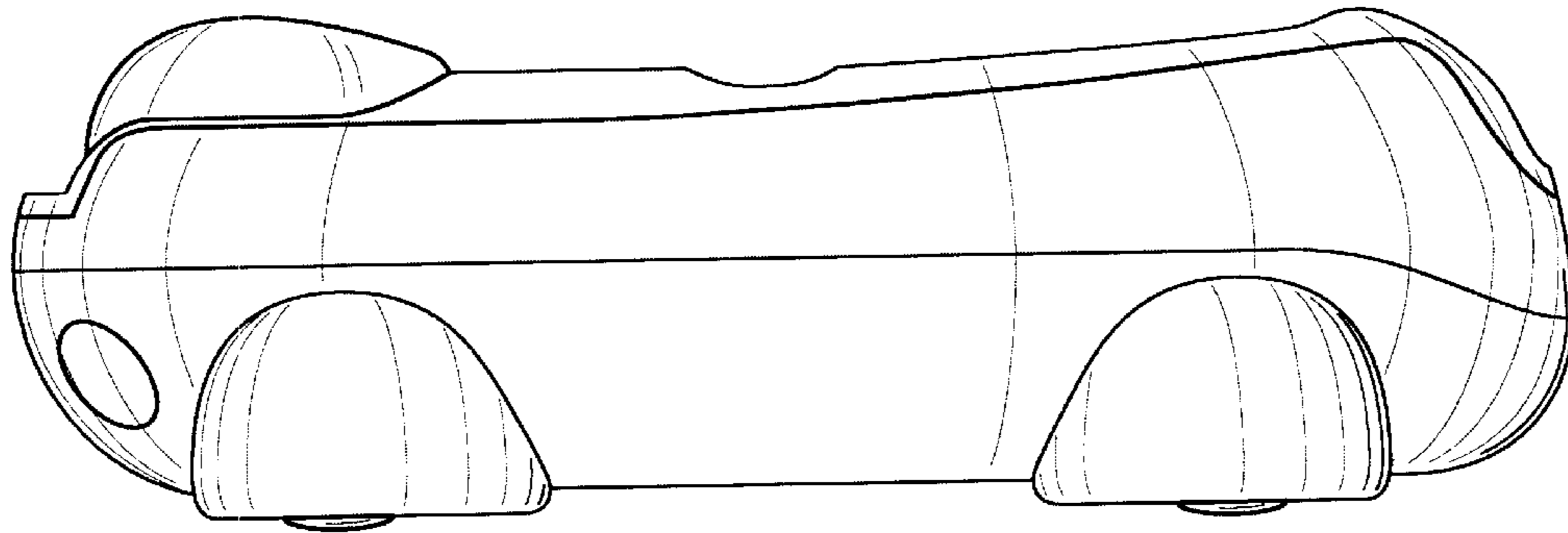


FIG. 7

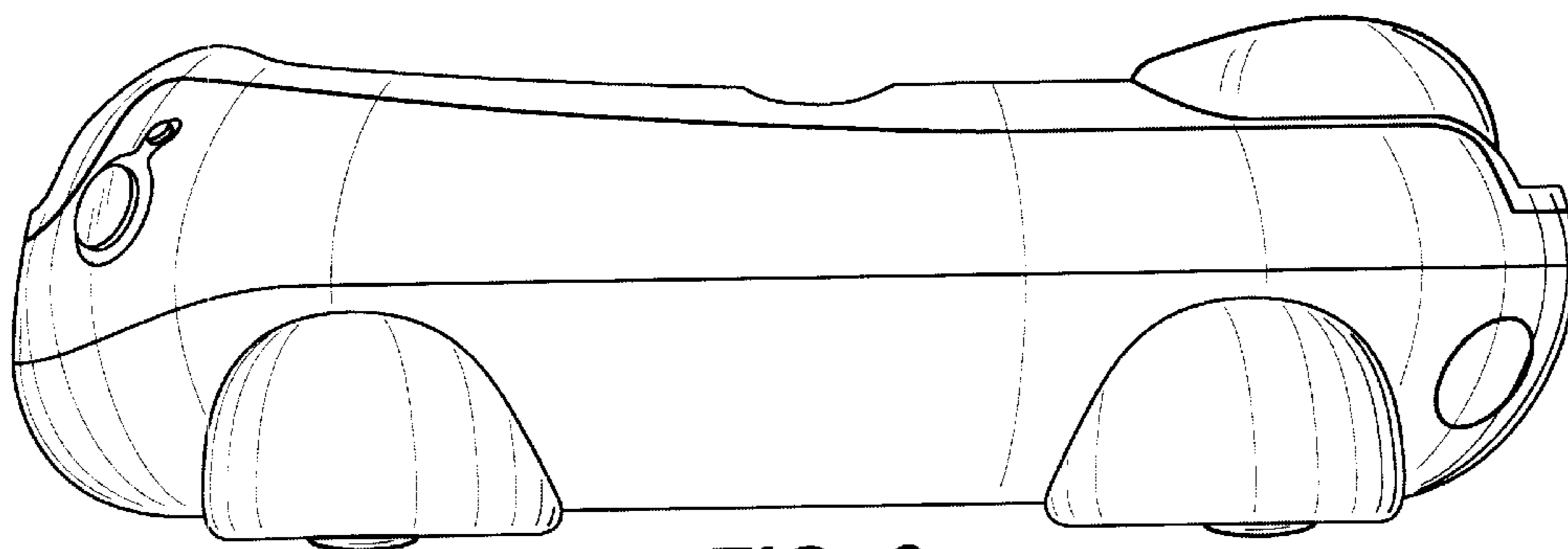


FIG. 8