

US00D541875S

(12) **United States Design Patent**  
**Wada**

(10) **Patent No.:** **US D541,875 S**

(45) **Date of Patent:** **\*\* May 1, 2007**

(54) **GAME DEVICE**

(75) Inventor: **Yasuhiro Wada**, Tokyo (JP)

(73) Assignee: **Sega Corporation**, Tokyo (JP)

(\*\*) Term: **14 Years**

(21) Appl. No.: **29/245,314**

(22) Filed: **Dec. 22, 2005**

(30) **Foreign Application Priority Data**

Jun. 28, 2005 (JP) ..... 2005-018712

(51) **LOC (8) Cl.** ..... **21-01**

(52) **U.S. Cl.** ..... **D21/326**

(58) **Field of Classification Search** ..... D21/324-328,  
D21/333, 385, 453, 573, 574; D14/418, 432;  
273/317, 317.1, 348, 349, 148 B, 355, 459-461,  
273/356, 407; 463/1-5, 46, 47, 47.2, 59,  
463/51; 434/16, 18-20, 24

See application file for complete search history.

(56) **References Cited**

**U.S. PATENT DOCUMENTS**

2,710,754 A \* 6/1955 Varney ..... 463/50  
D188,376 S \* 7/1960 Hotkins et al. .... D21/326  
5,299,810 A \* 4/1994 Pierce et al. .... 463/2  
D376,391 S \* 12/1996 Okumura ..... D21/326  
5,713,794 A \* 2/1998 Shimojima et al. .... 463/36  
D403,024 S \* 12/1998 Muraki et al. .... D21/326

D421,070 S \* 2/2000 Jang et al. .... D21/325  
6,019,681 A \* 2/2000 Oishi et al. .... 463/49  
6,251,011 B1 \* 6/2001 Yamazaki ..... 463/2  
6,379,249 B1 \* 4/2002 Satsukawa et al. .... 463/31  
D471,594 S \* 3/2003 Nojo ..... D21/326  
D507,022 S \* 7/2005 Tsujino et al. .... D21/325  
D516,128 S \* 2/2006 Nunokawa ..... D21/327

\* cited by examiner

*Primary Examiner*—Prabhakar Deshmukh

(74) *Attorney, Agent, or Firm*—Dickstein Shapiro LLP

(57) **CLAIM**

The ornamental design for a game device, as shown and described.

**DESCRIPTION**

FIG. 1 is a front, top and left side perspective view of a game device showing my new design;  
FIG. 2 is a front elevational view thereof;  
FIG. 3 is a rear elevational view thereof;  
FIG. 4 is a top plan view thereof;  
FIG. 5 is a bottom plan view thereof;  
FIG. 6 is a right side elevational view thereof;  
FIG. 7 is a left side elevational view thereof; and,  
FIG. 8 is a left side elevational reference view thereof, showing the claimed design in it's use. The broken lines showing of a game controller is for illustrative purpose only and form no part of the claimed design.

**1 Claim, 5 Drawing Sheets**

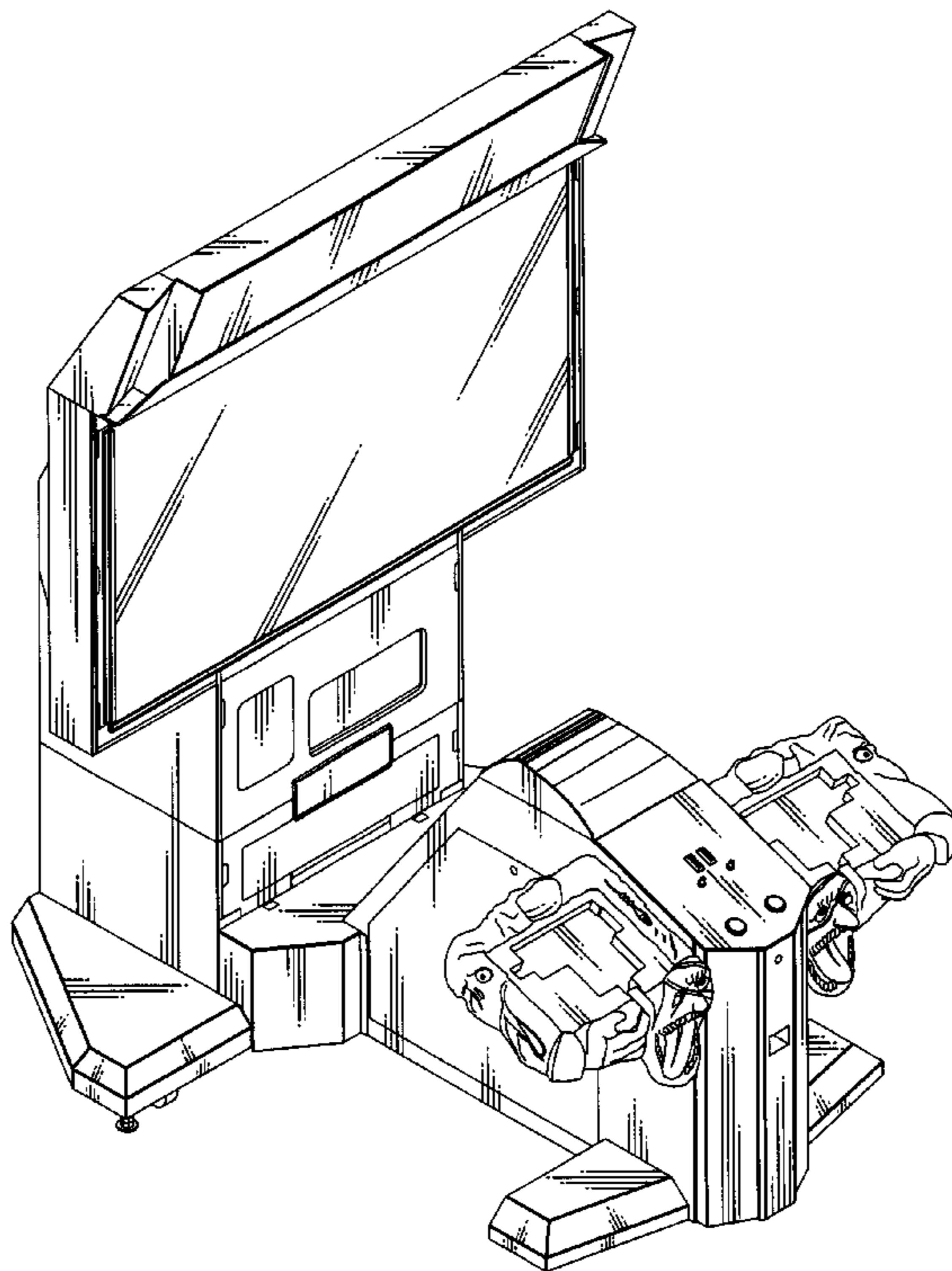


FIG. 1

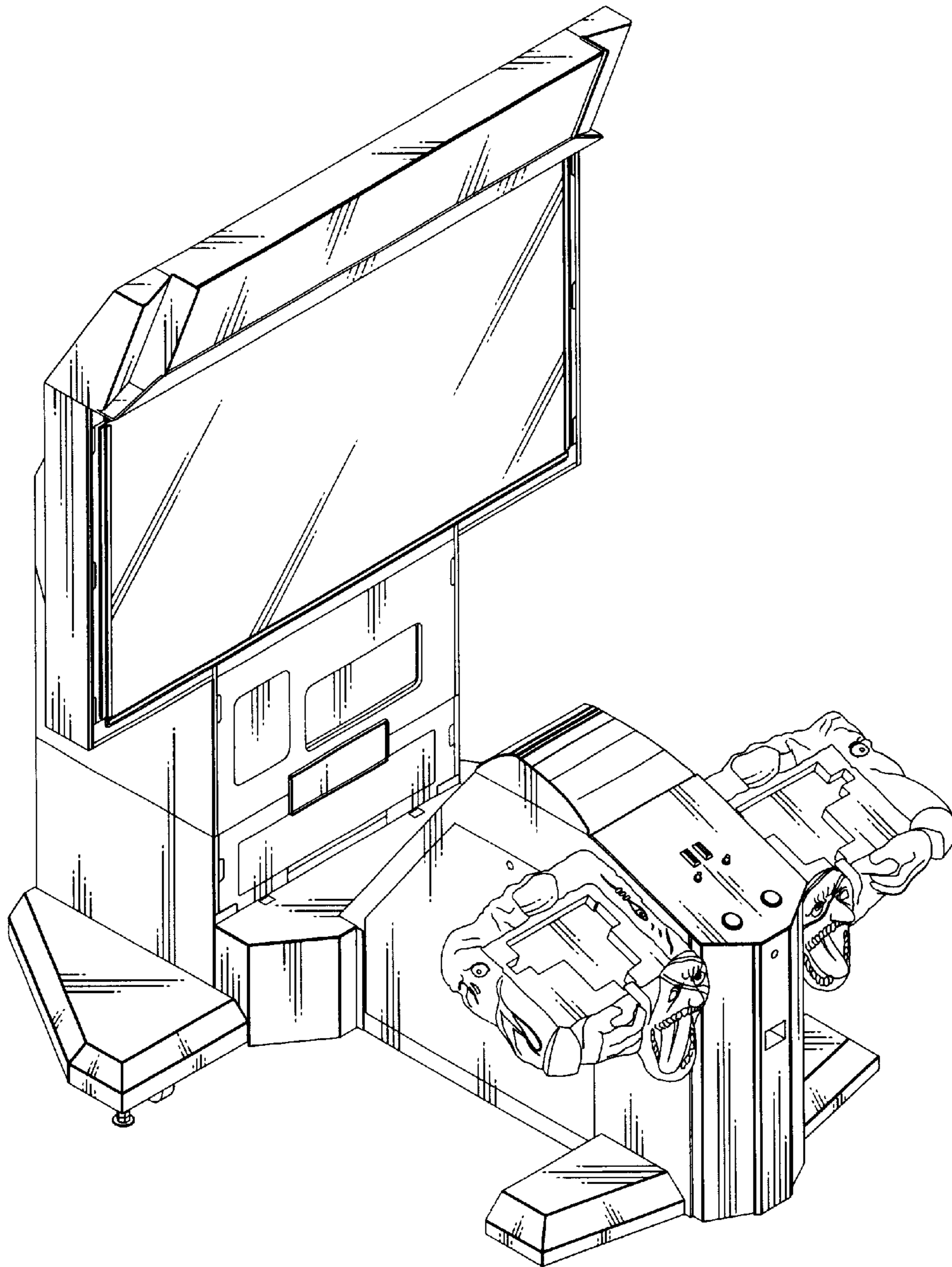


FIG.2

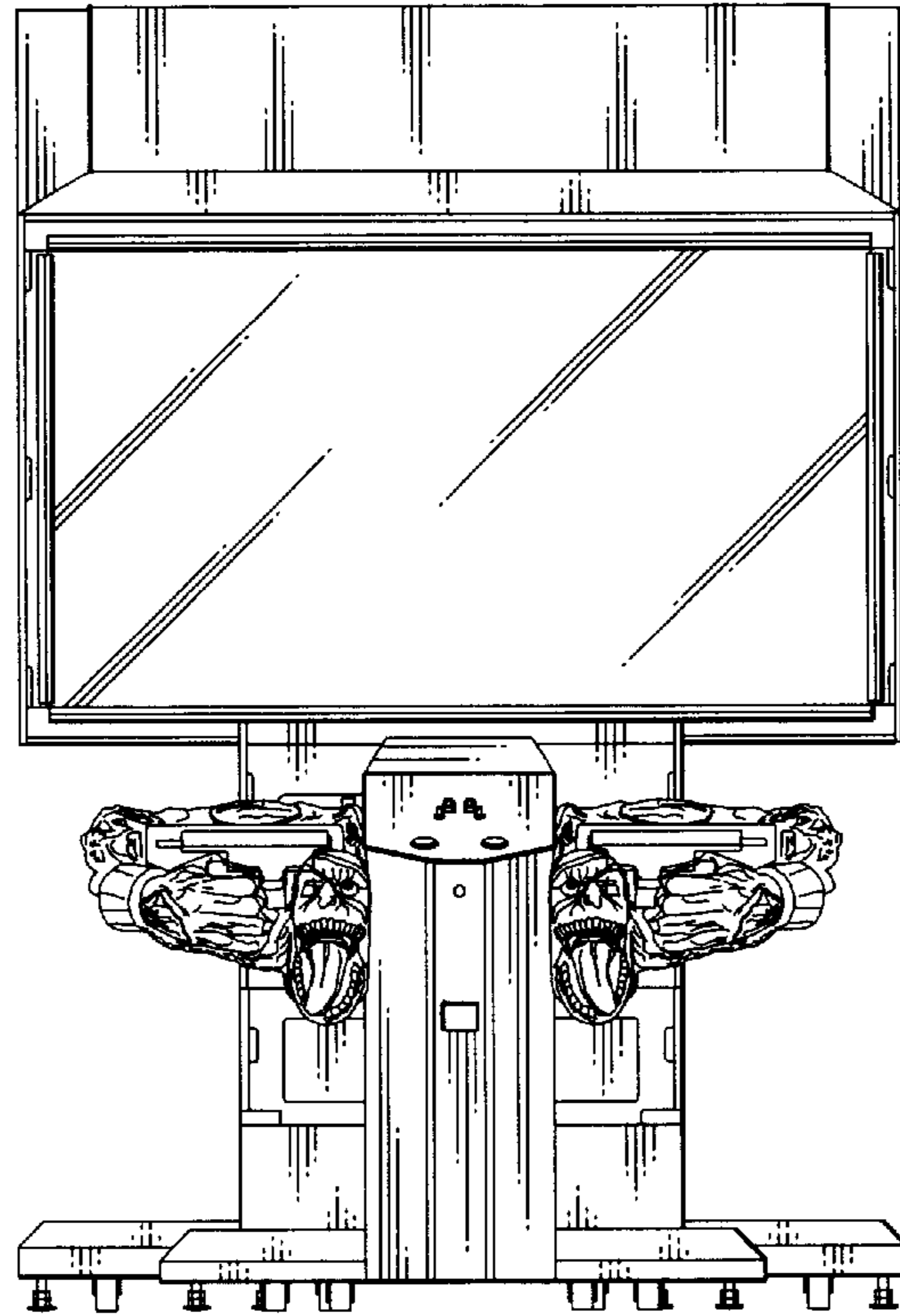


FIG.3

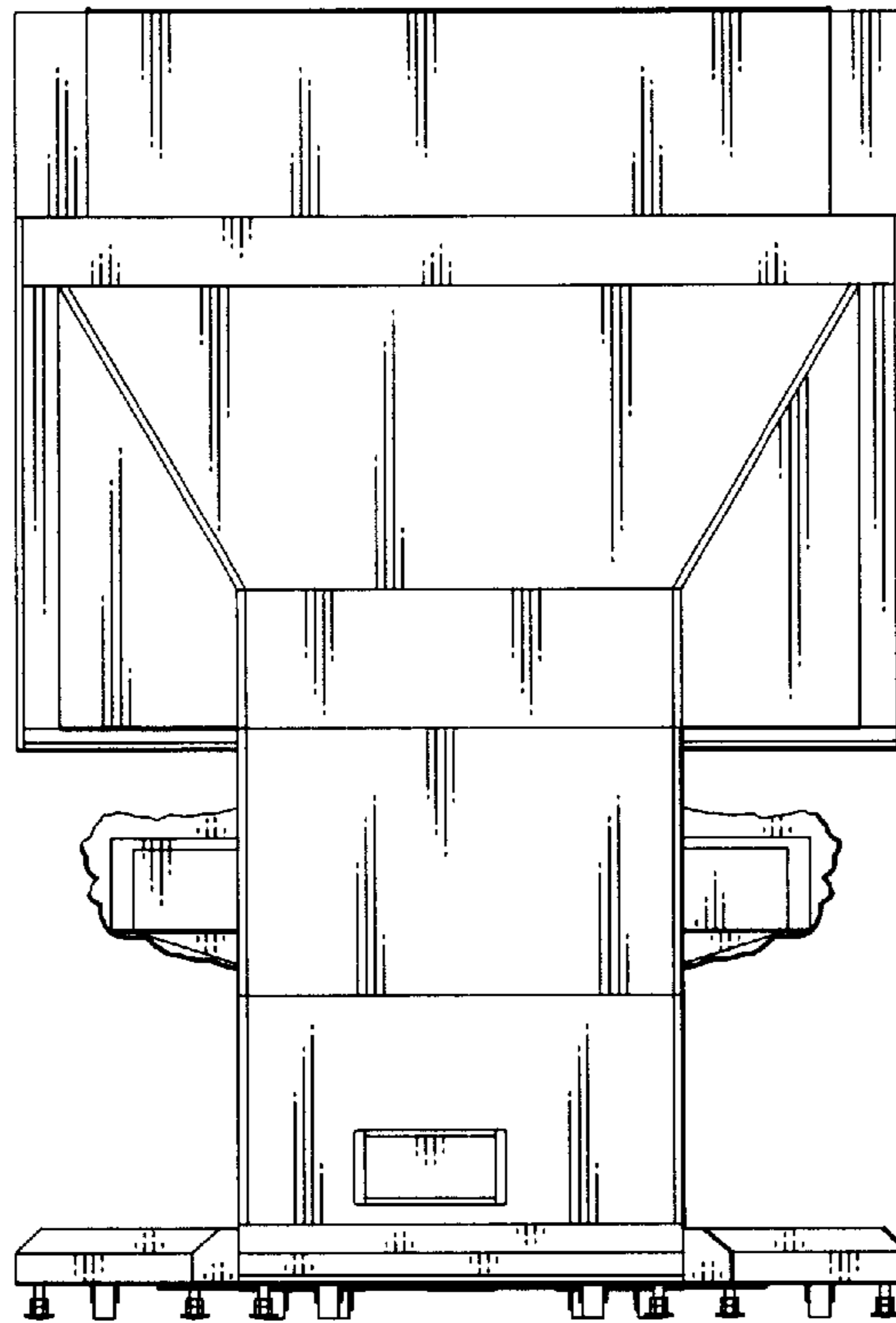


FIG. 4

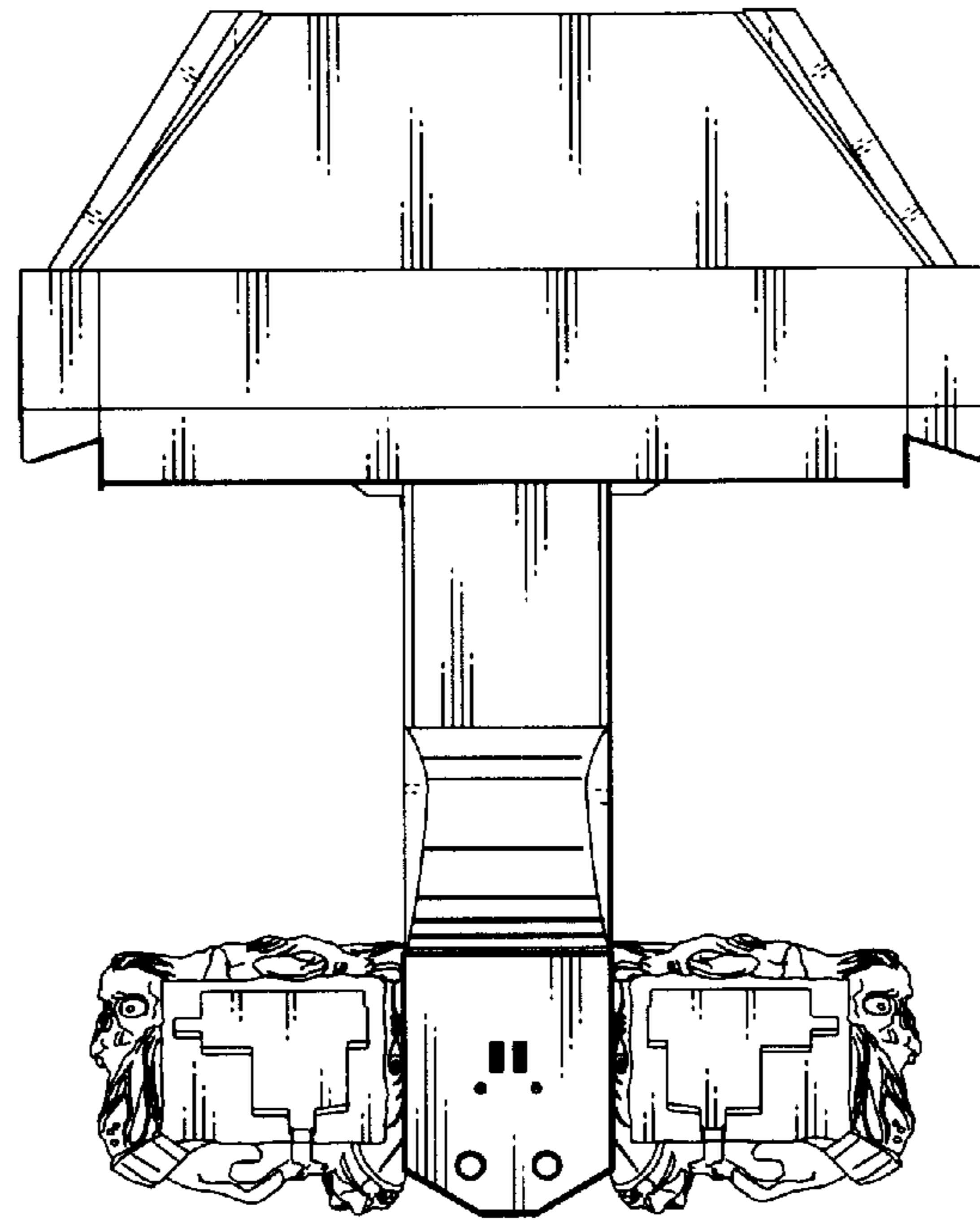


FIG. 5

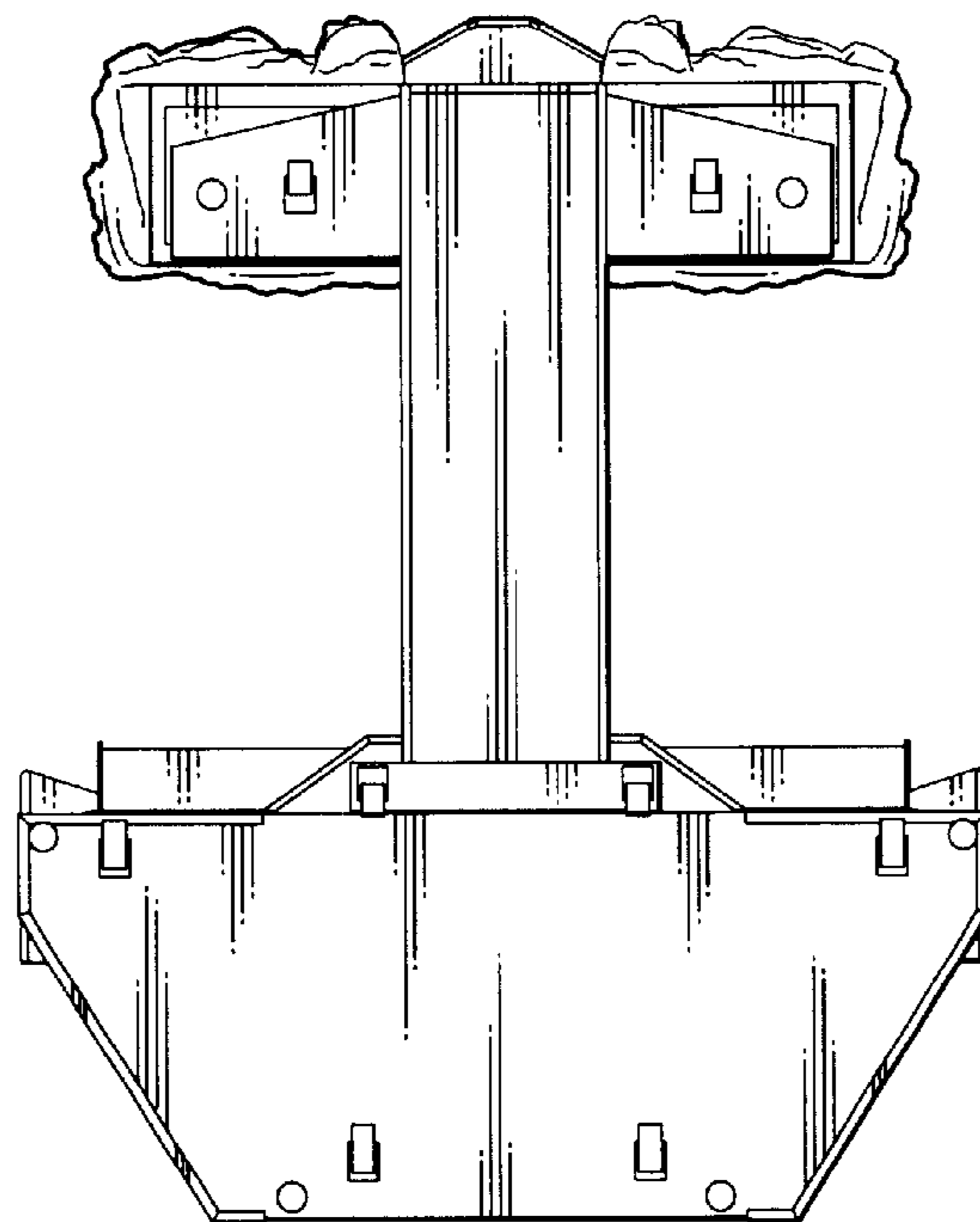


FIG. 6

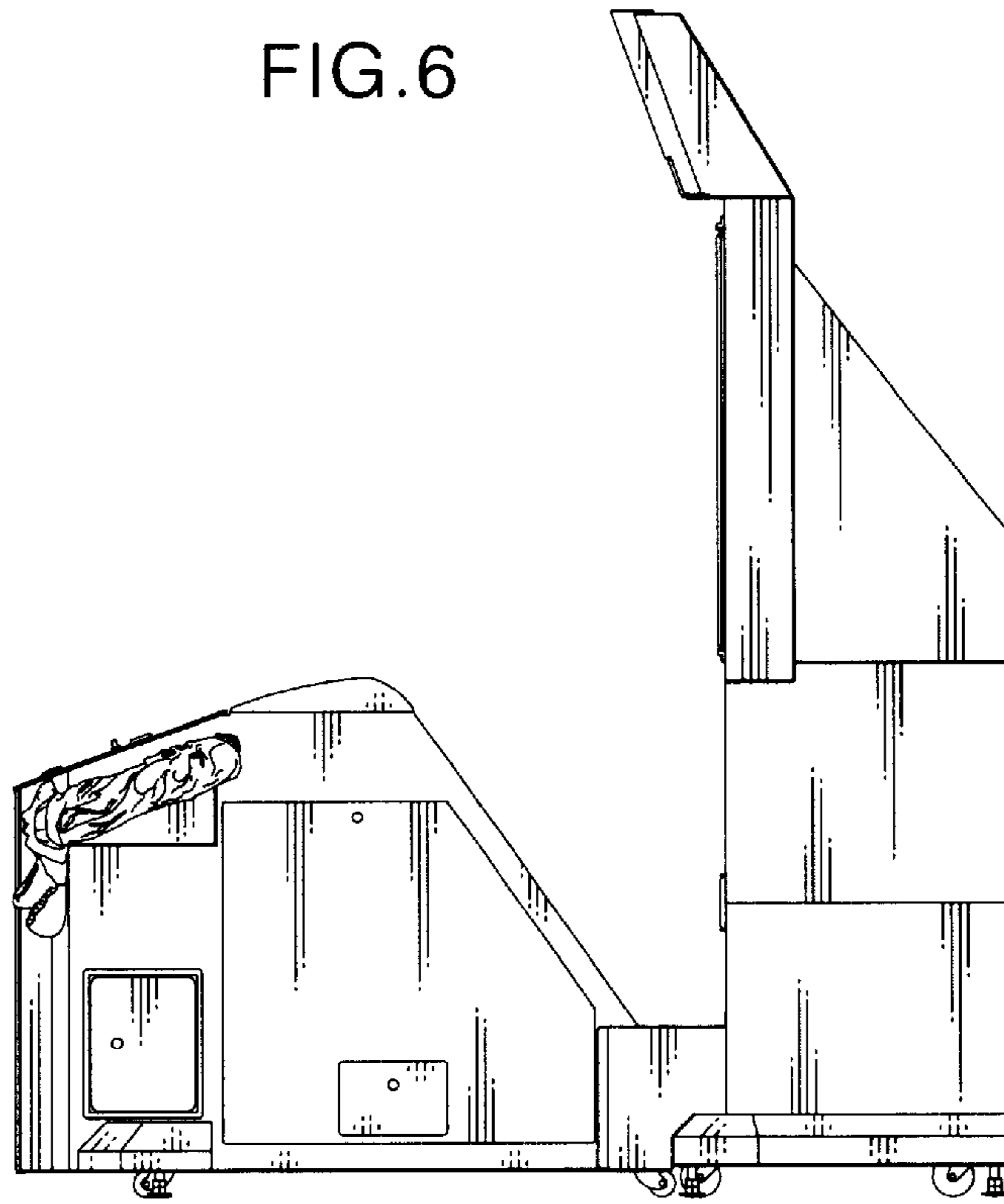


FIG. 7

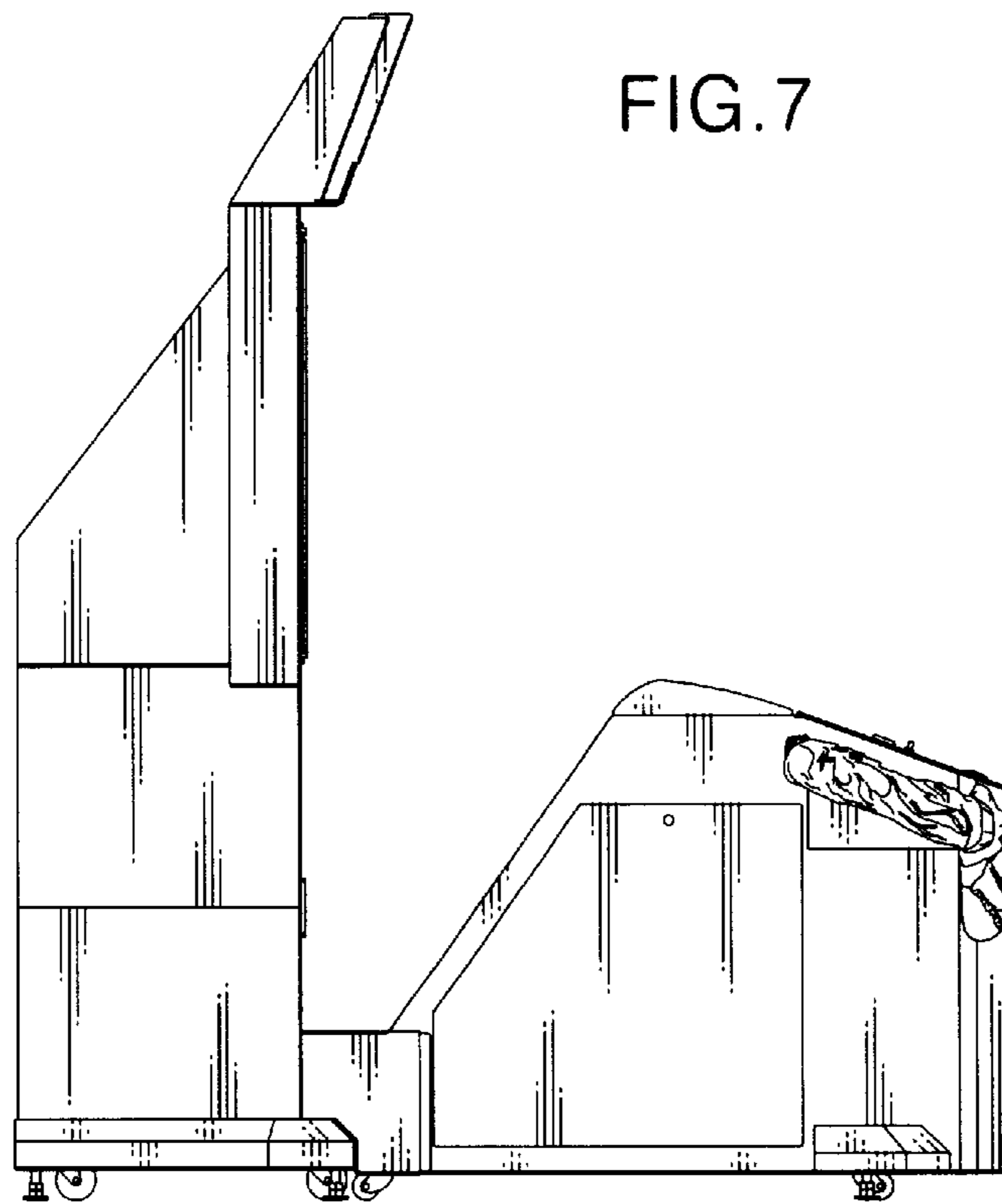


FIG. 8

