

US00D541872S

(12) **United States Design Patent** (10) **Patent No.:** **US D541,872 S**
Houle (45) **Date of Patent:** **** May 1, 2007**

(54) **FISH PLAQUE**

OTHER PUBLICATIONS

(76) Inventor: **Kenneth James Houle**, 113 Custer Trail, Cary, NC (US) 27513

Ichthus Plaque, WH-PQ2WIC1Y, Home & Garden Decor Website, 2 pages. <http://www.homegarden-store.com/detail.aspx?ID=423>.*

(**) Term: **14 Years**

14K White Gold Ichthus—Fish Pendant—11×18mm, AMAZON.COM website, 2 pages. http://www.amazon.com/gp/offer-listing/B000ENTNTW/ref=dp_bb_a/002-0065233-929....*

(21) Appl. No.: **29/257,224**

(22) Filed: **Mar. 30, 2006**

* cited by examiner

(51) **LOC (8) Cl.** **20-03**

(52) **U.S. Cl.** **D20/30; D20/42**

Primary Examiner—Robert M. Spear

(58) **Field of Classification Search** D20/10, D20/17, 19, 22, 24, 28, 30, 37, 42, 99; D11/121, D11/127, 134, 158; D99/25, 32; 40/552, 40/564, 566, 470, 496, 606.06, 612, 617
See application file for complete search history.

(74) *Attorney, Agent, or Firm*—Coats & Bennett, PLLC

(57) **CLAIM**

The ornamental design for a fish plaque, as shown and described.

(56) **References Cited**

DESCRIPTION

U.S. PATENT DOCUMENTS

D324,602 S	*	3/1992	Meyers et al.	D1/111
D394,823 S	*	6/1998	Vos	D11/79
D403,267 S	*	12/1998	Burke	D11/134
D404,770 S	*	1/1999	Meade et al.	D20/24
D455,145 S	*	4/2002	Williams	D14/232
D456,016 S	*	4/2002	Denson	D14/232
D456,389 S	*	4/2002	Denson	D14/232
D477,367 S	*	7/2003	Gaines et al.	D20/17
D488,195 S	*	4/2004	Manville	D21/484
D500,808 S	*	1/2005	Howard	D20/28

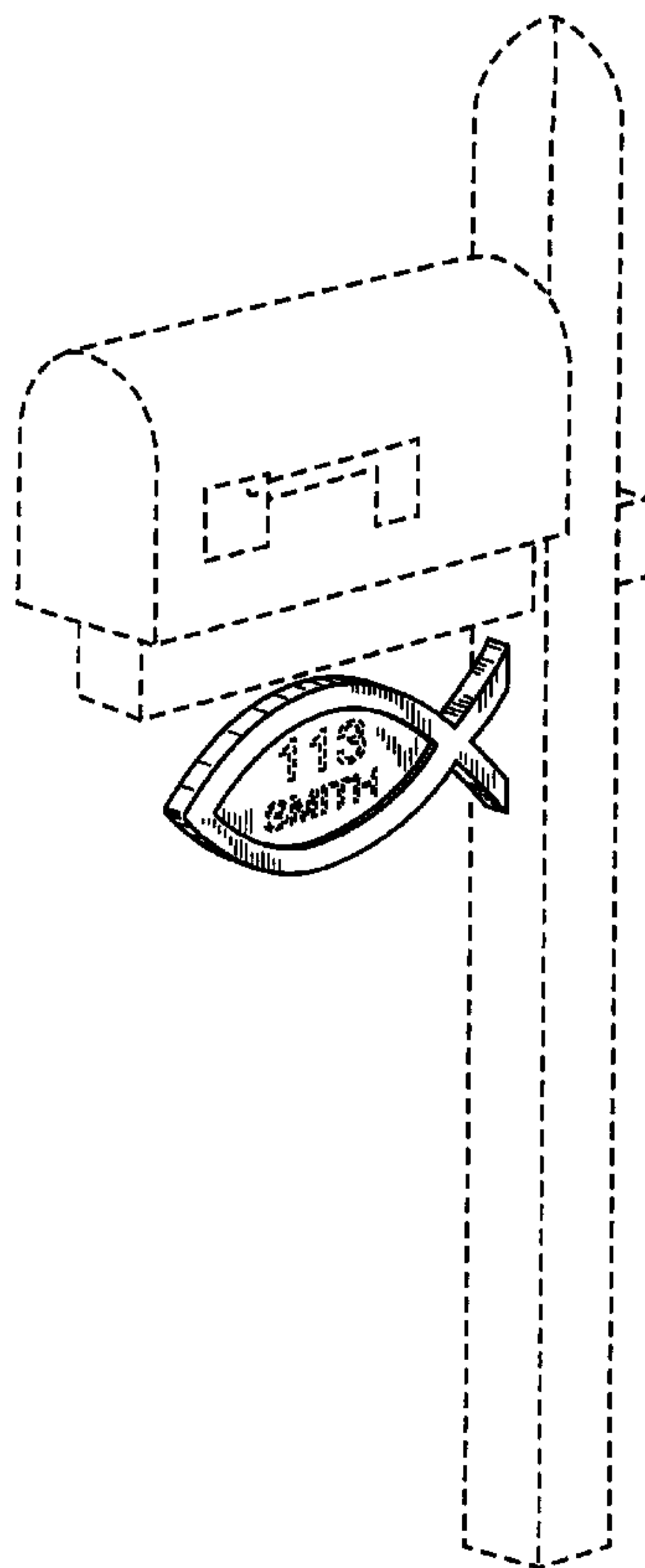
FIG. 1 is a perspective view of the design.

FIG. 2 is a side elevational view of the design with the opposite side being a mirror image of the same; and, FIG. 3 is a front elevational view of the design.

The top, bottom, and back form no part of the claimed design.

Portions of the design shown in broken lines form no part of the claimed design.

1 Claim, 3 Drawing Sheets



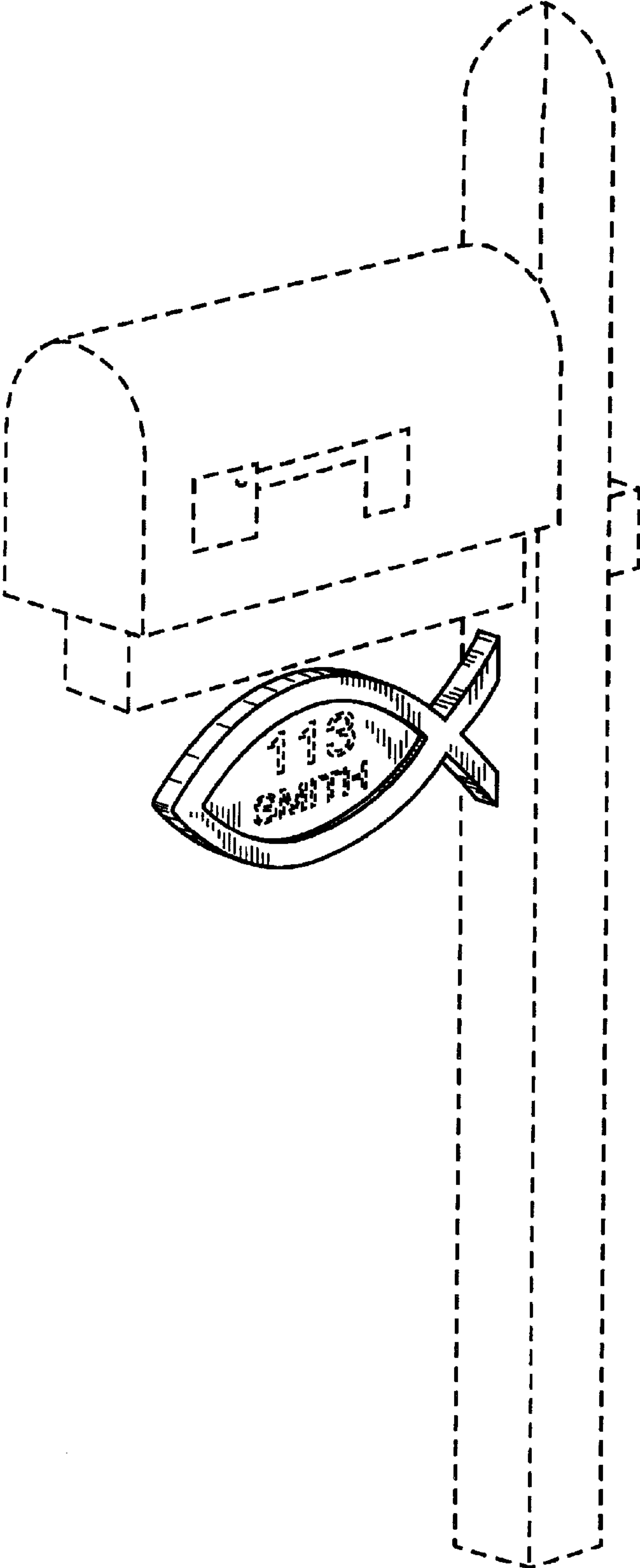


FIG. 1

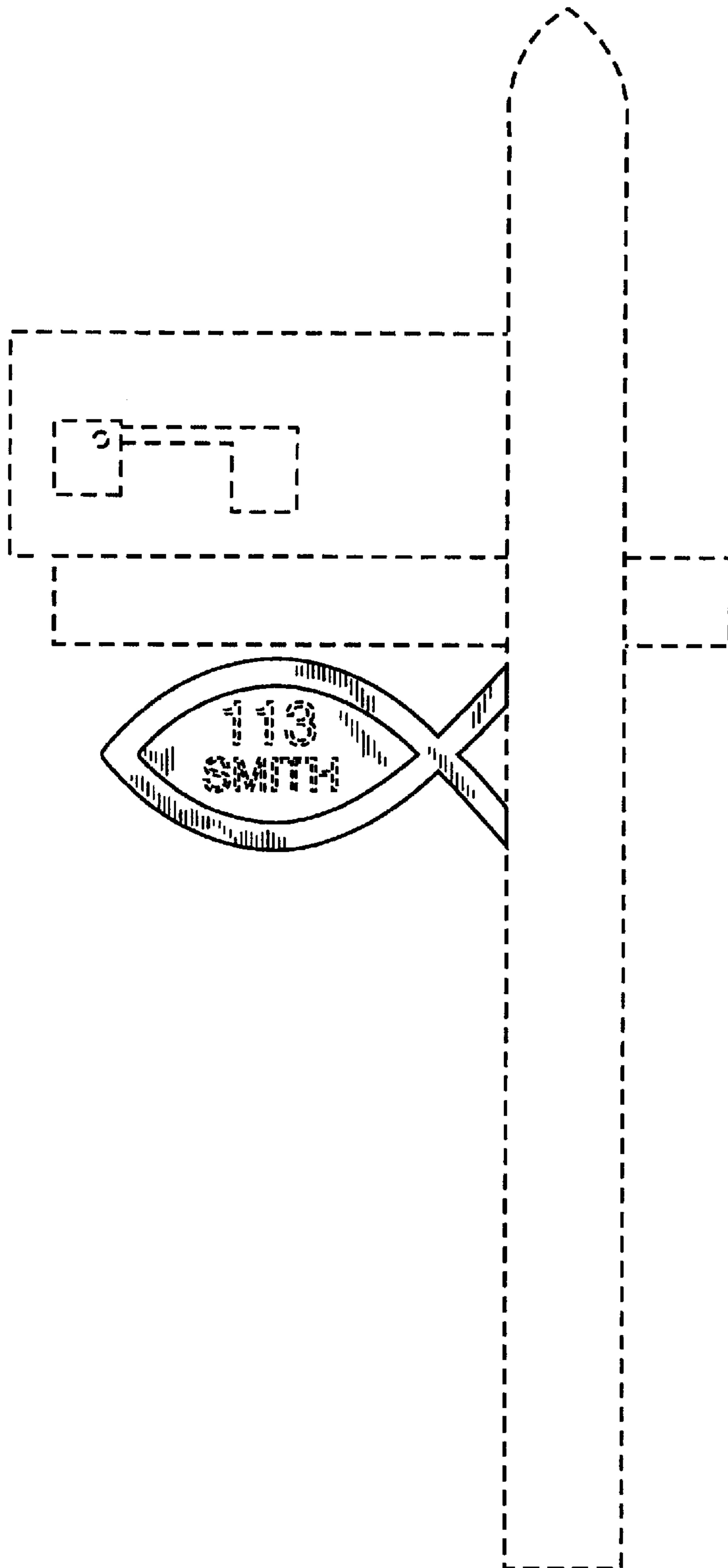


FIG. 2

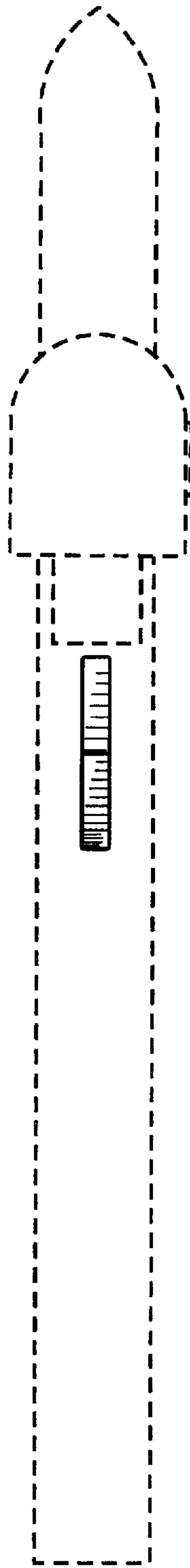


FIG. 3