

US00D541871S

(12) **United States Design Patent**
Chang

(10) **Patent No.:** **US D541,871 S**

(45) **Date of Patent:** **** May 1, 2007**

(54) **CIRCULAR MULTI-STATION VENDING MACHINE**

D453,532 S 2/2002 Semeniuk D20/7
6,935,530 B2 8/2005 Semeniuk et al. 221/124

(76) Inventor: **Kil Jae Chang**, T. PiCO, Korea
Manufacturing, 321-37 Suksu, 2 Dong,
Anyang City, Kyungdido (KR)

* cited by examiner

Primary Examiner—Stacia Cadmus
(74) *Attorney, Agent, or Firm*—John R. Flanagan

(**) Term: **14 Years**

(57) **CLAIM**

(21) Appl. No.: **29/253,656**

The ornamental design for a circular multi-station vending machine, as shown and described.

(22) Filed: **Feb. 9, 2006**

DESCRIPTION

(51) **LOC (8) Cl.** **20-01**

(52) **U.S. Cl.** **D20/7**

(58) **Field of Classification Search** D20/1-9,
D20/99; 194/205-206, 212, 350; 221/92-96,
221/75, 125, 155, 195, 199; 222/478, 526;
312/114, 117, 124-125; D99/17-18, 24;
D7/338-339, 347-348, 350, 354, 360, 598
See application file for complete search history.

FIG. 1 is a perspective view of a circular multi-station vending machine, showing my new design.

FIG. 2 is a front elevational view of the vending machine as seen from a position counterclockwise sixty degrees from the position in FIG. 1.

FIG. 3 is a side elevational view of the vending machine as seen from a position clockwise ninety degrees from the position in FIG. 2.

FIG. 4 is a rear elevational view of the vending machine as seen from a position one hundred eighty degrees from the position in FIG. 1, the rear elevational view being identical to other side elevational views of the vending machine as seen from positions sixty degrees from the position of FIG. 2.

FIG. 5 is a top plan view of the vending machine of FIG. 2. FIG. 6 is a bottom plan view of the vending machine of FIG. 4.

FIG. 7 is a perspective view of a second embodiment of the circular multi-station vending machine, showing my new design.

FIG. 8 is a front elevational view of the vending machine as seen from a position forty-five degrees from the position in FIG. 7, the front elevational view being identical to opposite side and rear elevational views of the vending machine.

FIG. 9 is a top plan view of the vending machine of FIG. 8; and,

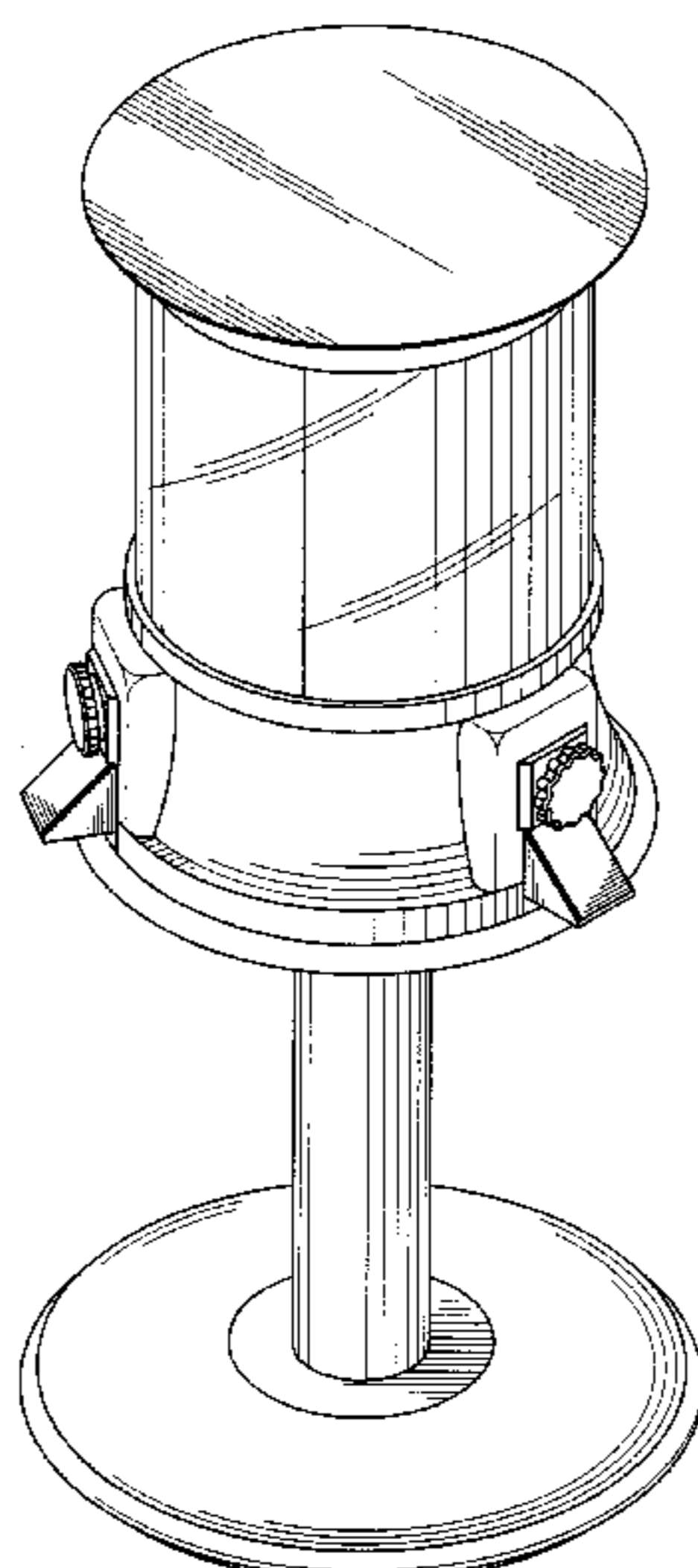
FIG. 10 is a bottom plan view of the vending machine of FIG. 8.

(56) **References Cited**

U.S. PATENT DOCUMENTS

D103,055 S	2/1937	Main	
D110,550 S	* 7/1938	Sandhaus	D20/7
D124,529 S	* 1/1941	Greiner	D20/7
2,537,317 A	1/1951	Probasco	312/89
2,759,632 A	* 8/1956	Ussery et al.	221/199
2,772,811 A	12/1956	Schaeff	221/155
3,010,557 A	11/1961	Weitzman	194/63
D276,626 S	* 12/1984	Lockwood	D20/2
4,768,683 A	9/1988	Gold et al.	222/328
4,896,798 A	1/1990	Milton	222/307
5,082,101 A	1/1992	Baker	194/350
D331,603 S	12/1992	Peterson	D20/7
D333,681 S	* 3/1993	Stern	D20/7
D342,970 S	* 1/1994	Schwarzli	D20/7
D344,762 S	3/1994	Peterson	D20/7
D357,503 S	* 4/1995	Perry et al.	D20/1
D370,236 S	* 5/1996	Stockman	D20/7
D399,878 S	* 10/1998	Lin	D20/7
D434,445 S	* 11/2000	Marone	D20/3
D446,817 S	* 8/2001	Grill	D20/7

1 Claim, 5 Drawing Sheets



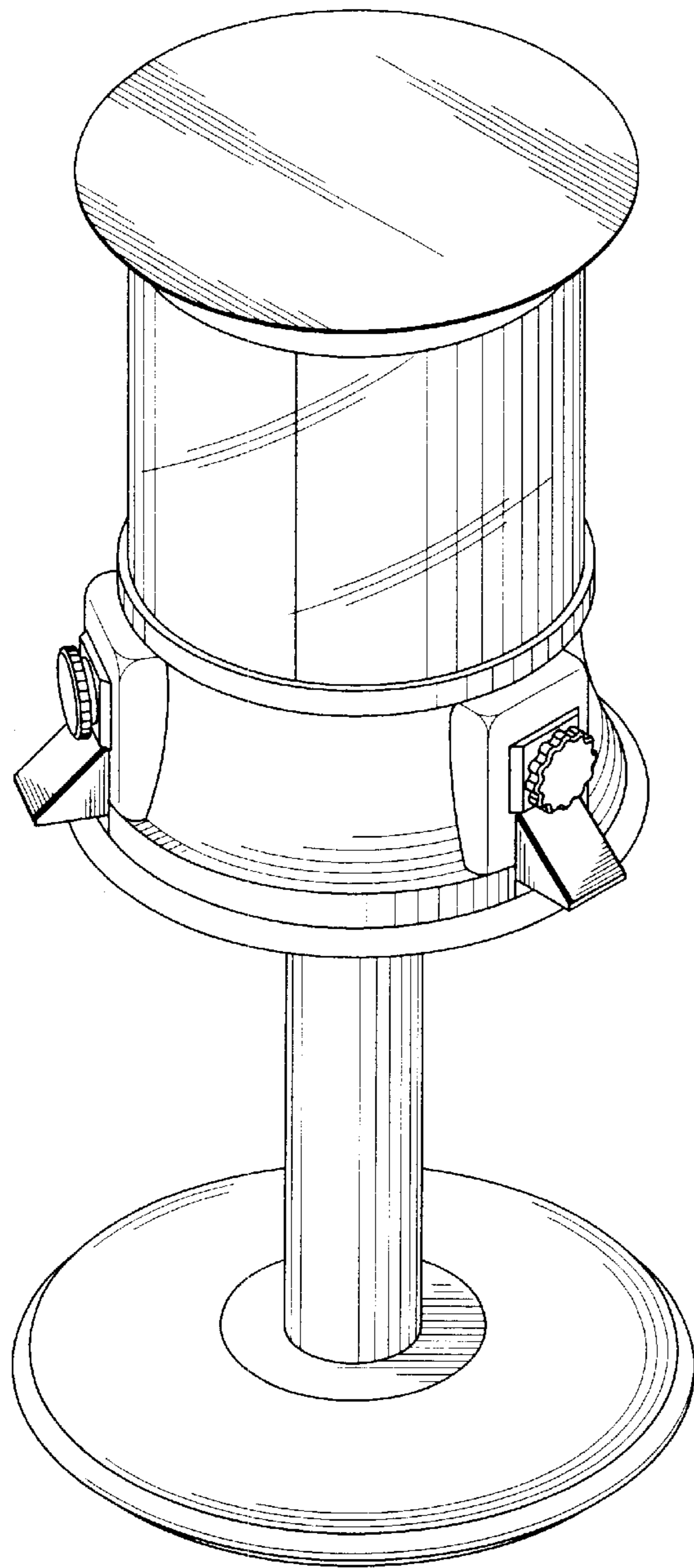


Fig. 1

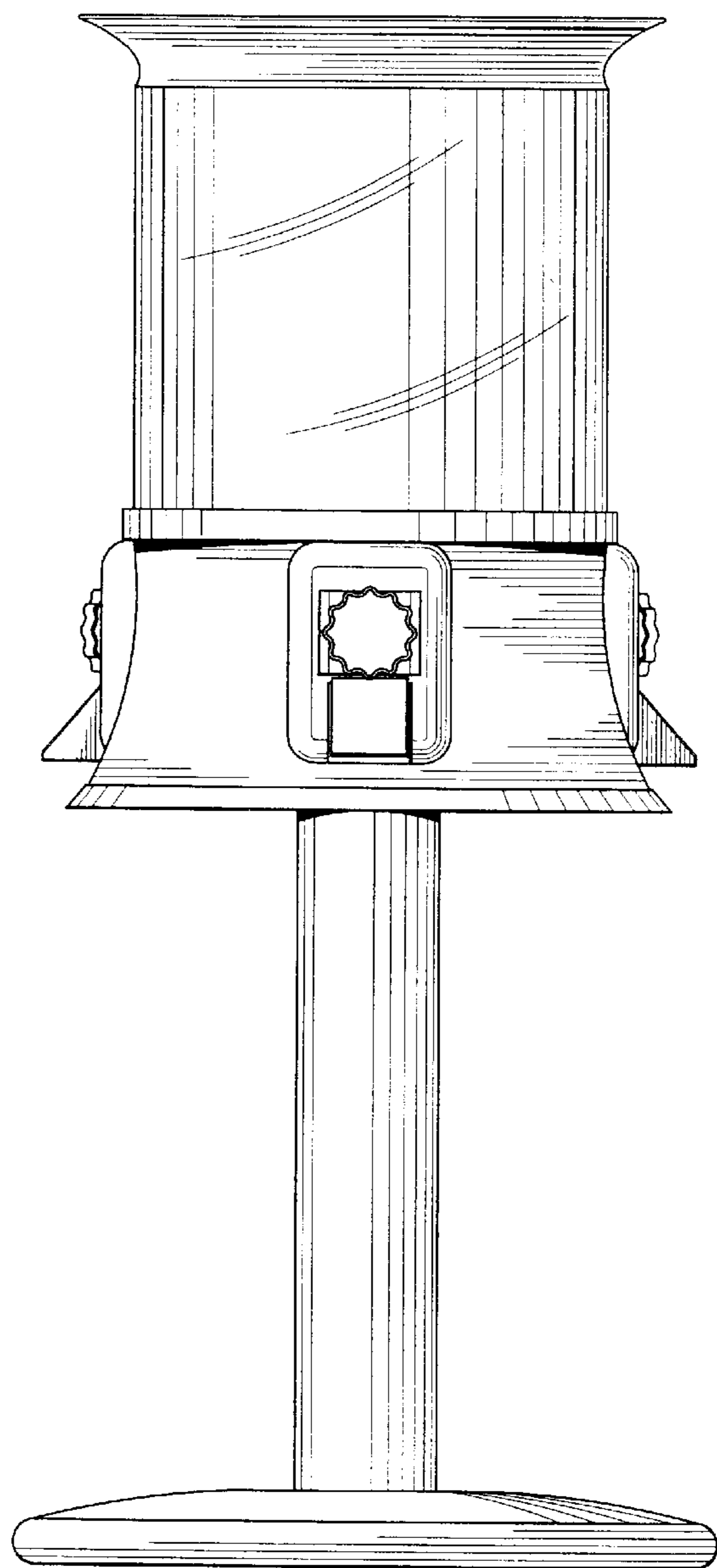


Fig. 2

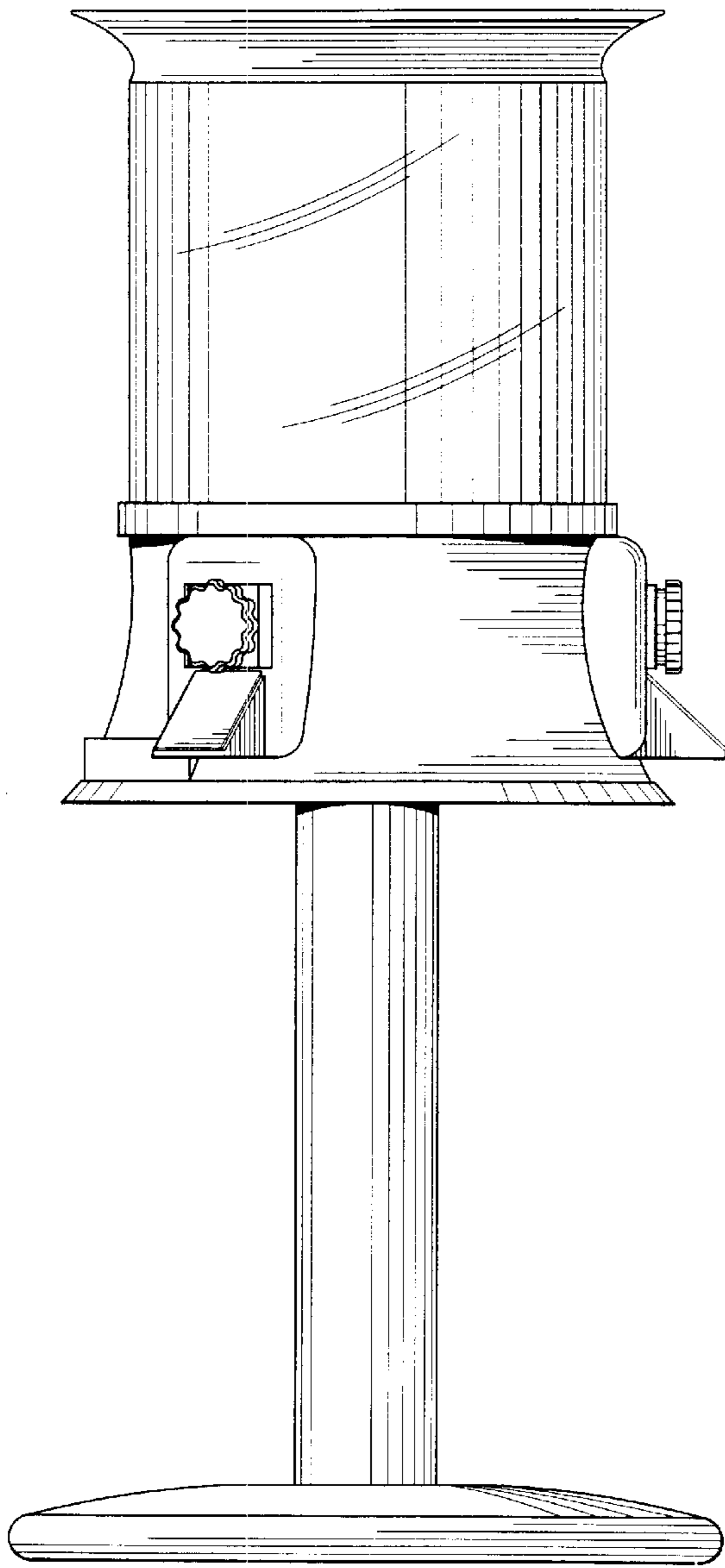


Fig. 3

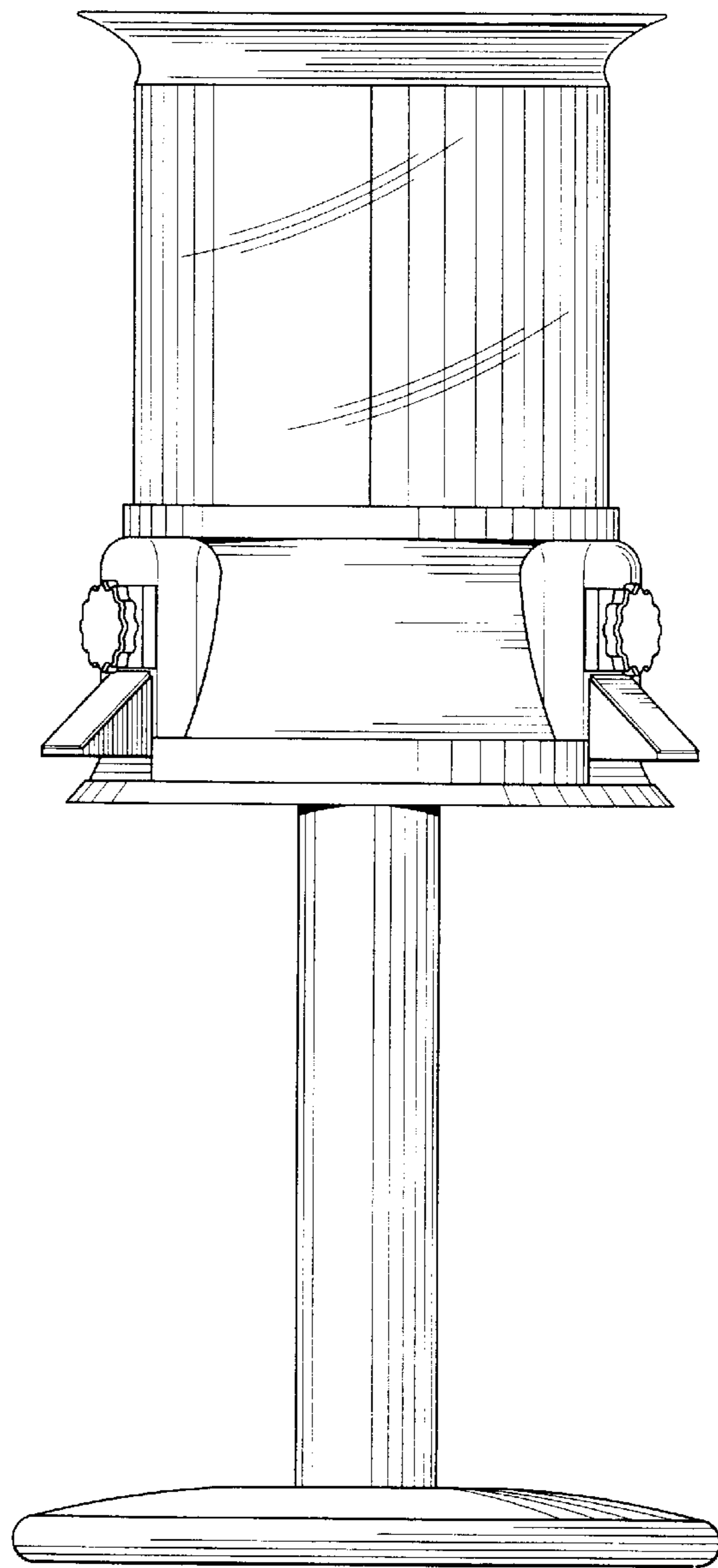


Fig. 4

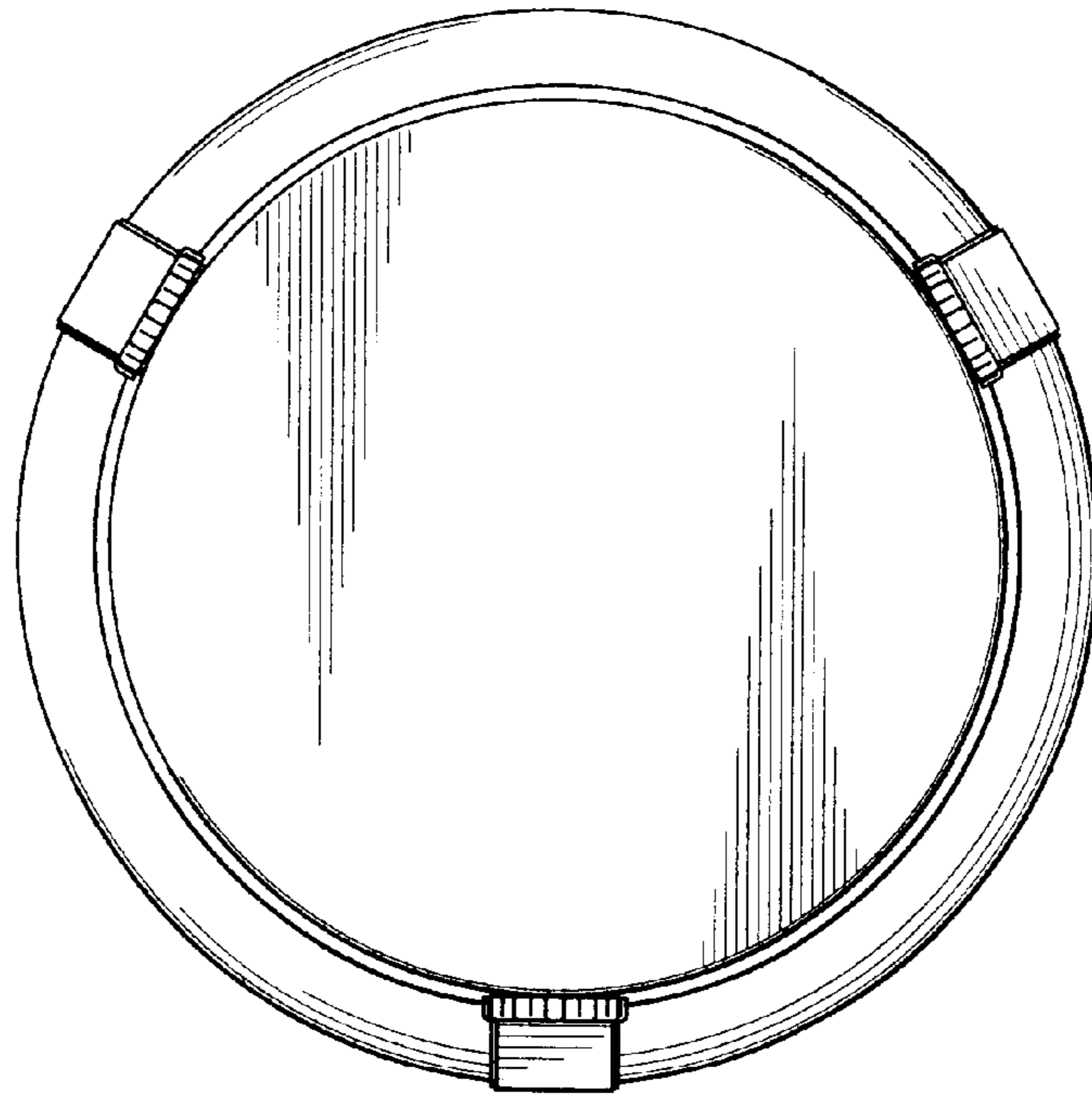


Fig. 5

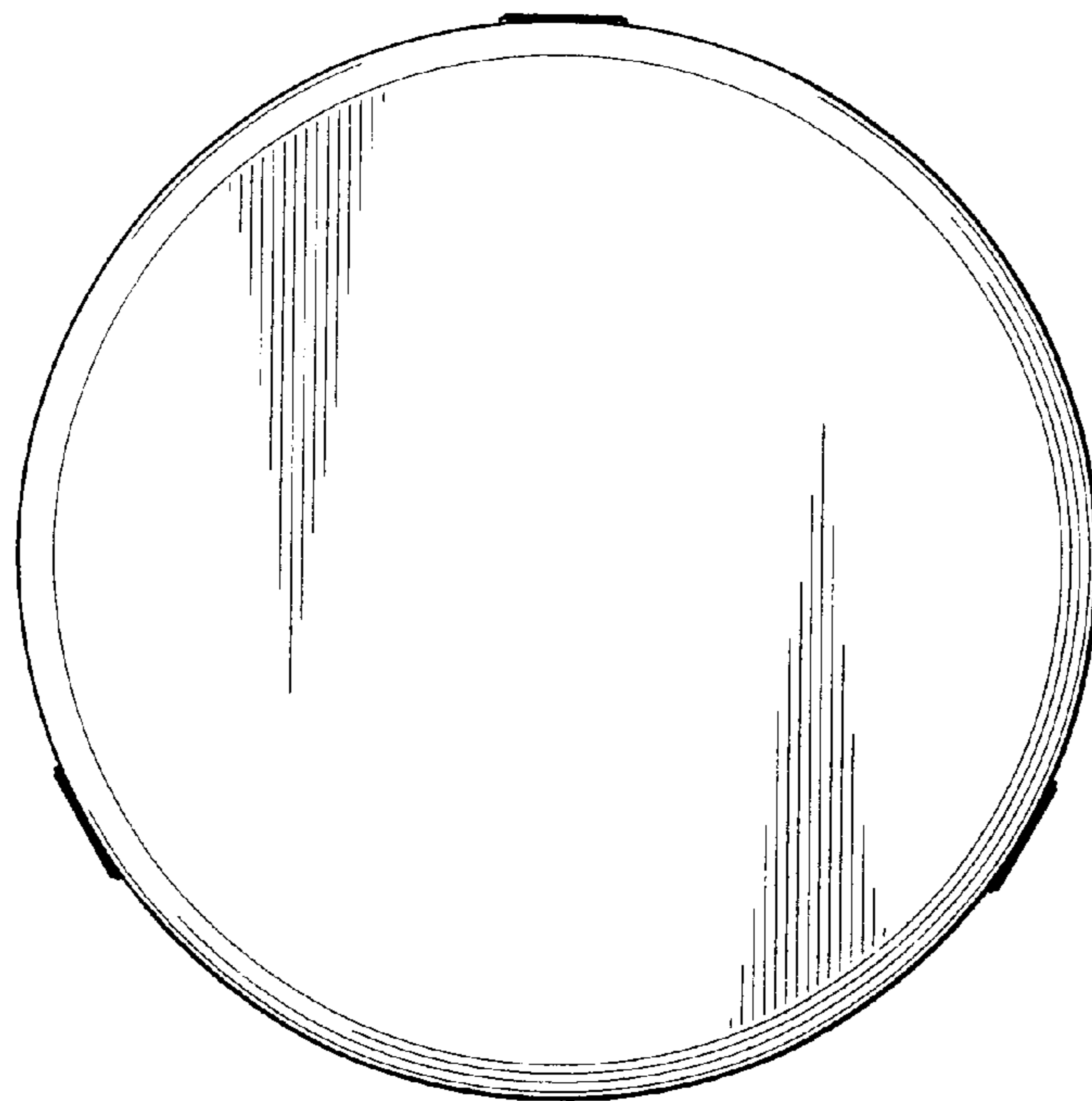


Fig. 6

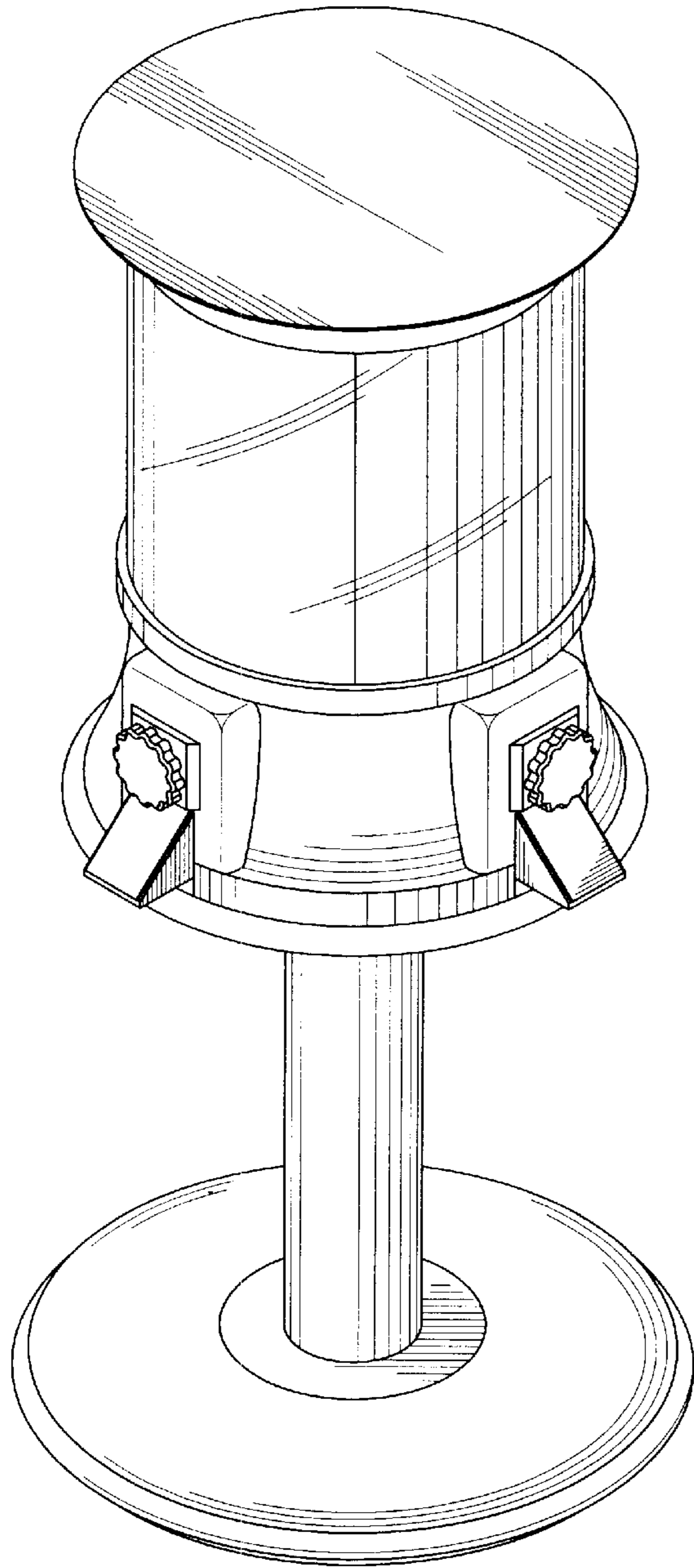


Fig. 7

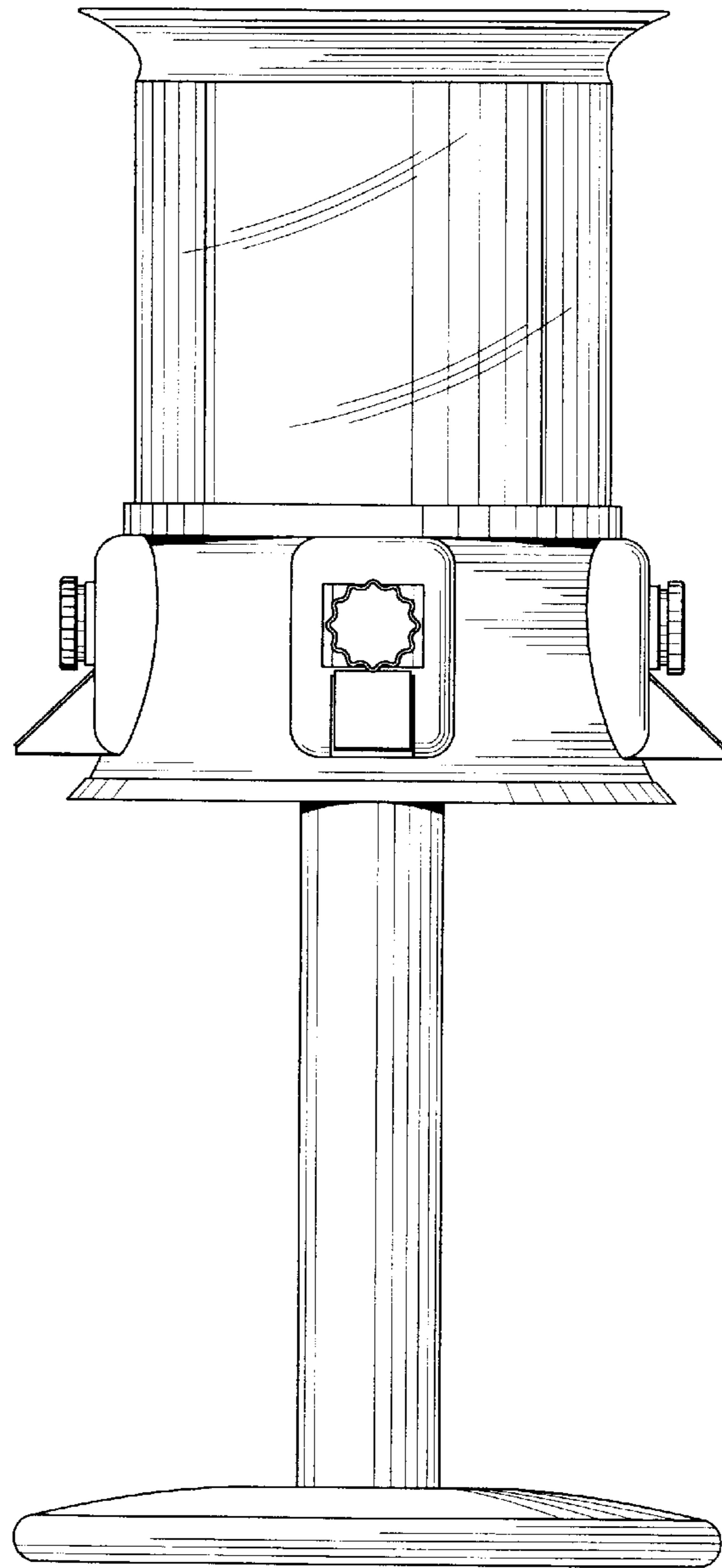


Fig. 8

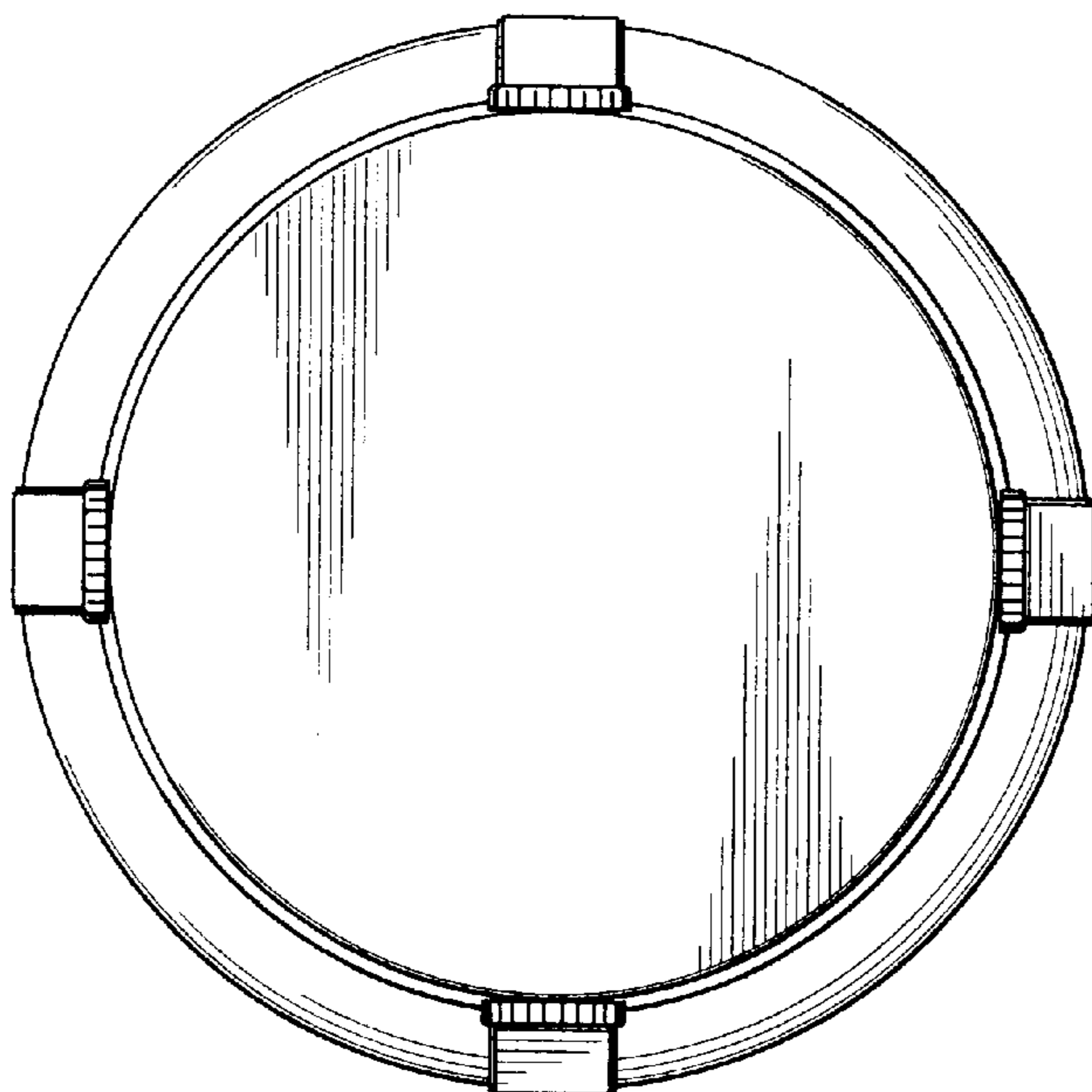


Fig. 9

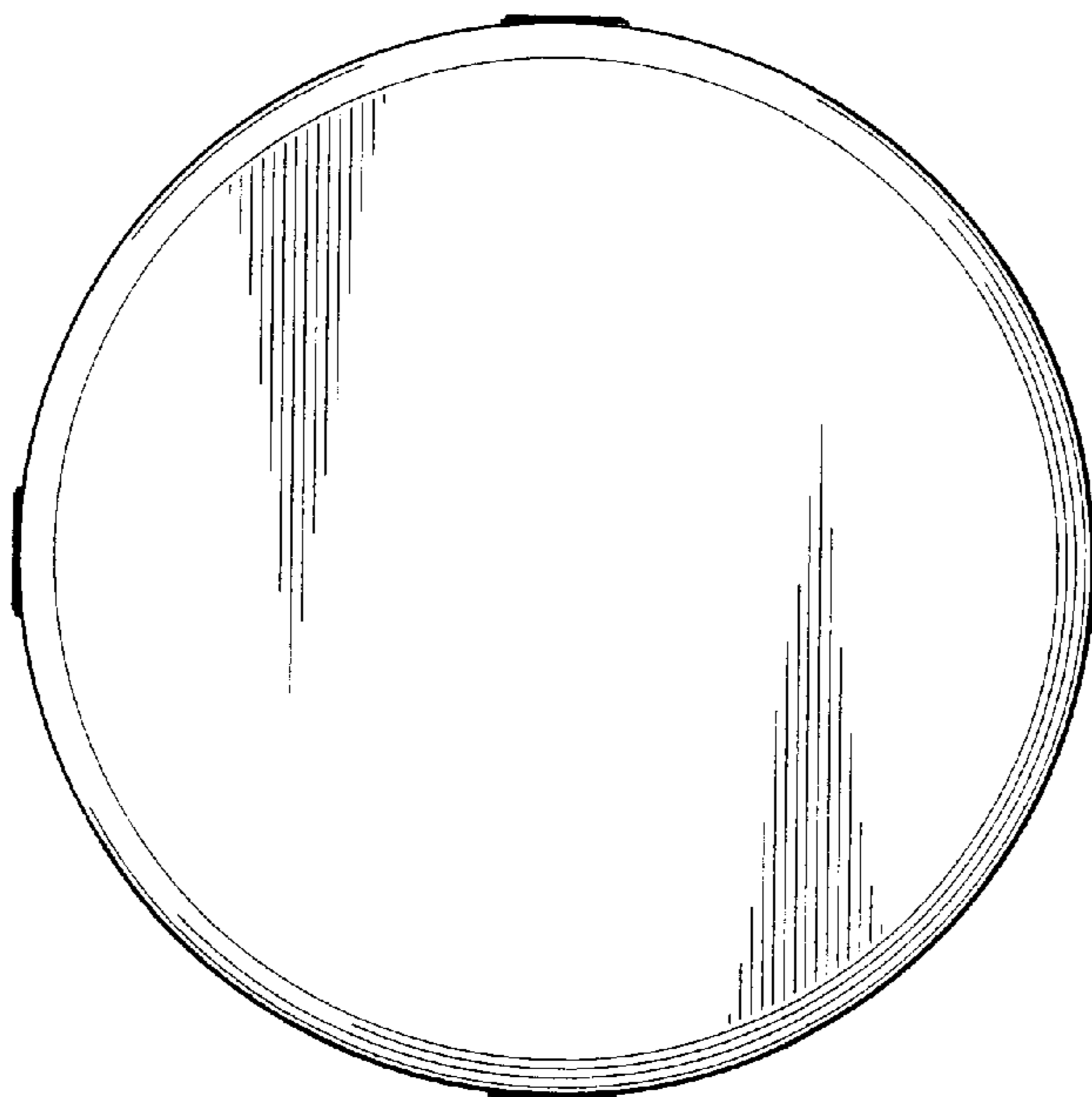


Fig. 10