

US00D541870S

(12) **United States Design Patent**  
**Tandberg**

(10) **Patent No.:** **US D541,870 S**

(45) **Date of Patent:** **\*\* May 1, 2007**

(54) **RETURN VENDING MACHINE**

(75) Inventor: **Roy Håvard Tandberg**, Nesøya (NO)

(73) Assignee: **Tomra Systems ASA**, Asker (NO)

(\*\*) Term: **14 Years**

(21) Appl. No.: **29/263,080**

(22) Filed: **Jul. 14, 2006**

(30) **Foreign Application Priority Data**

Jan. 26, 2006 (EM) ..... 000469705

(51) **LOC (8) Cl.** ..... **20-01**

(52) **U.S. Cl.** ..... **D20/1**

(58) **Field of Classification Search** ..... D20/1-9,  
D20/99; D99/34-36, 28; 194/350, 212, 205-206;  
221/75, 92, 96-97, 2, 125-128, 133, 155,  
221/195-196, 281, 284; 222/478, 526; 312/114,  
312/117, 124-125

See application file for complete search history.

(56) **References Cited**

**U.S. PATENT DOCUMENTS**

D196,935 S \* 11/1963 Weiner ..... D20/1  
D205,544 S \* 8/1966 Smith ..... D20/5  
D205,545 S \* 8/1966 Smith ..... D20/5  
3,318,428 A \* 5/1967 Klein ..... 221/2  
D221,184 S \* 7/1971 Cathey ..... D20/1

D296,908 S \* 7/1988 Trimble ..... D20/2  
D344,100 S \* 2/1994 Williams ..... D20/5  
D378,919 S \* 4/1997 Gareiss et al. .... D20/1  
D405,833 S \* 2/1999 Mussett ..... D20/1  
D422,314 S \* 4/2000 Tandberg ..... D20/1  
D485,863 S \* 1/2004 Glear et al. .... D20/4  
D523,902 S \* 6/2006 Sloss et al. .... D20/1

\* cited by examiner

*Primary Examiner*—Stacia Cadmus

(74) *Attorney, Agent, or Firm*—Rodman & Rodman

(57) **CLAIM**

The ornamental design for a return vending machine, as shown and described.

**DESCRIPTION**

FIG. 1 is a front perspective view from one side of a return vending machine, suitably for use in handling empty packaging,

FIG. 2 is a front view of the return vending machine shown in FIG. 1,

FIG. 3 is a side view of the return vending machine from one side,

FIG. 4 is a side view of the return vending machine from the other side,

FIG. 5 is a rear view of the return vending machine,

FIG. 6 is a top view of the return vending machine; and,

FIG. 7 is a bottom view of the return vending machine.

**1 Claim, 5 Drawing Sheets**

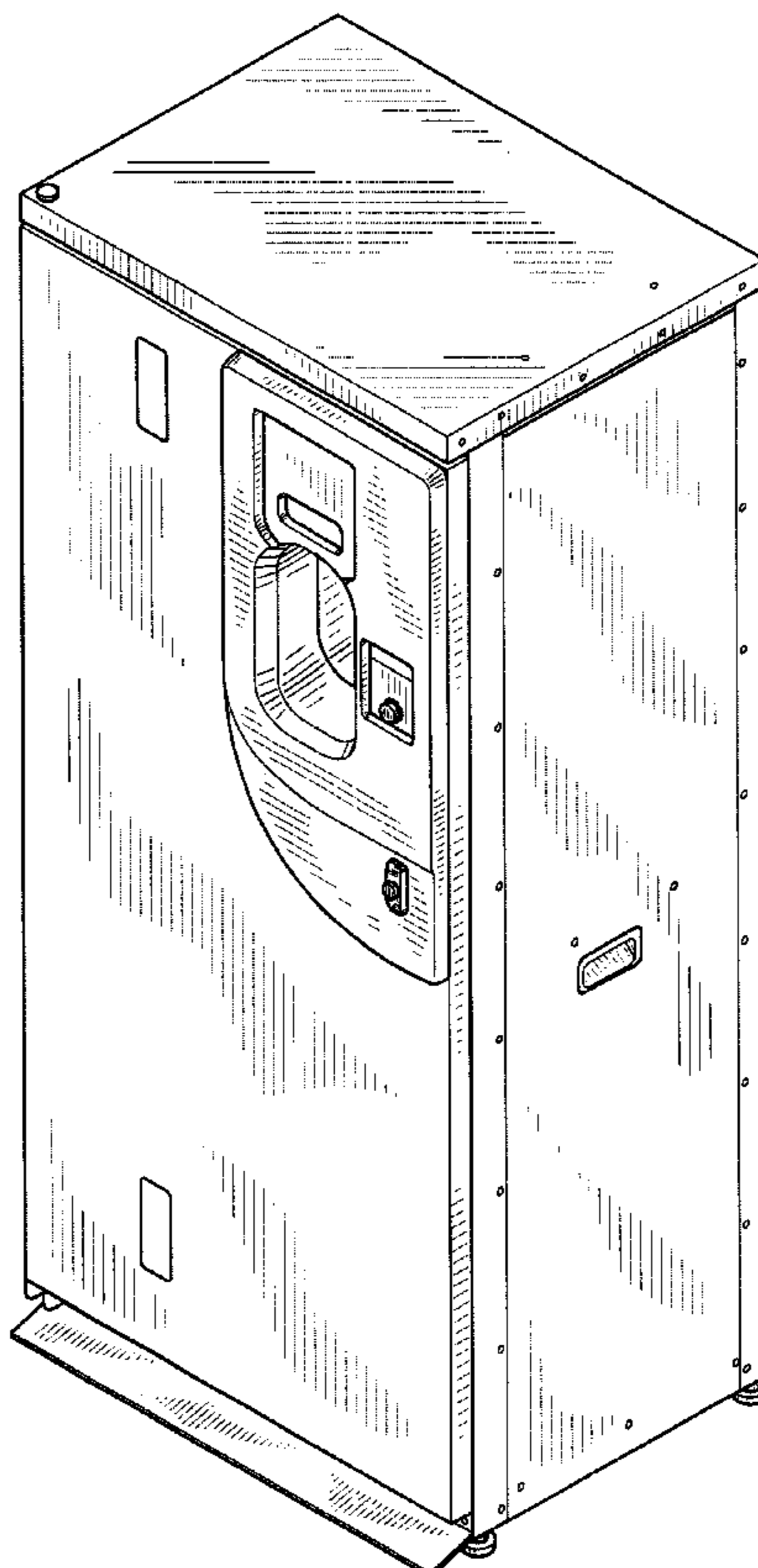
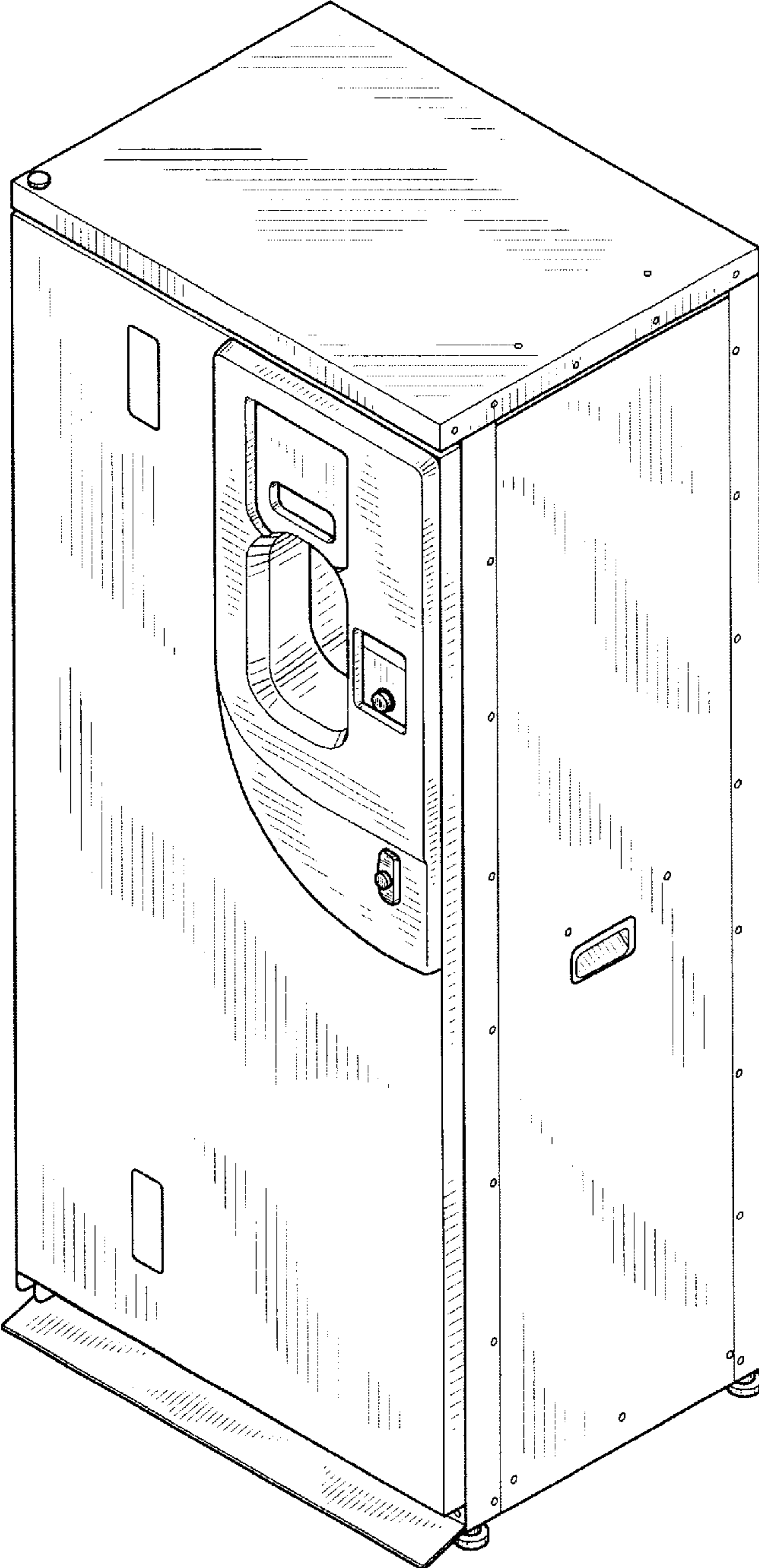


FIG. 1



**FIG. 2**

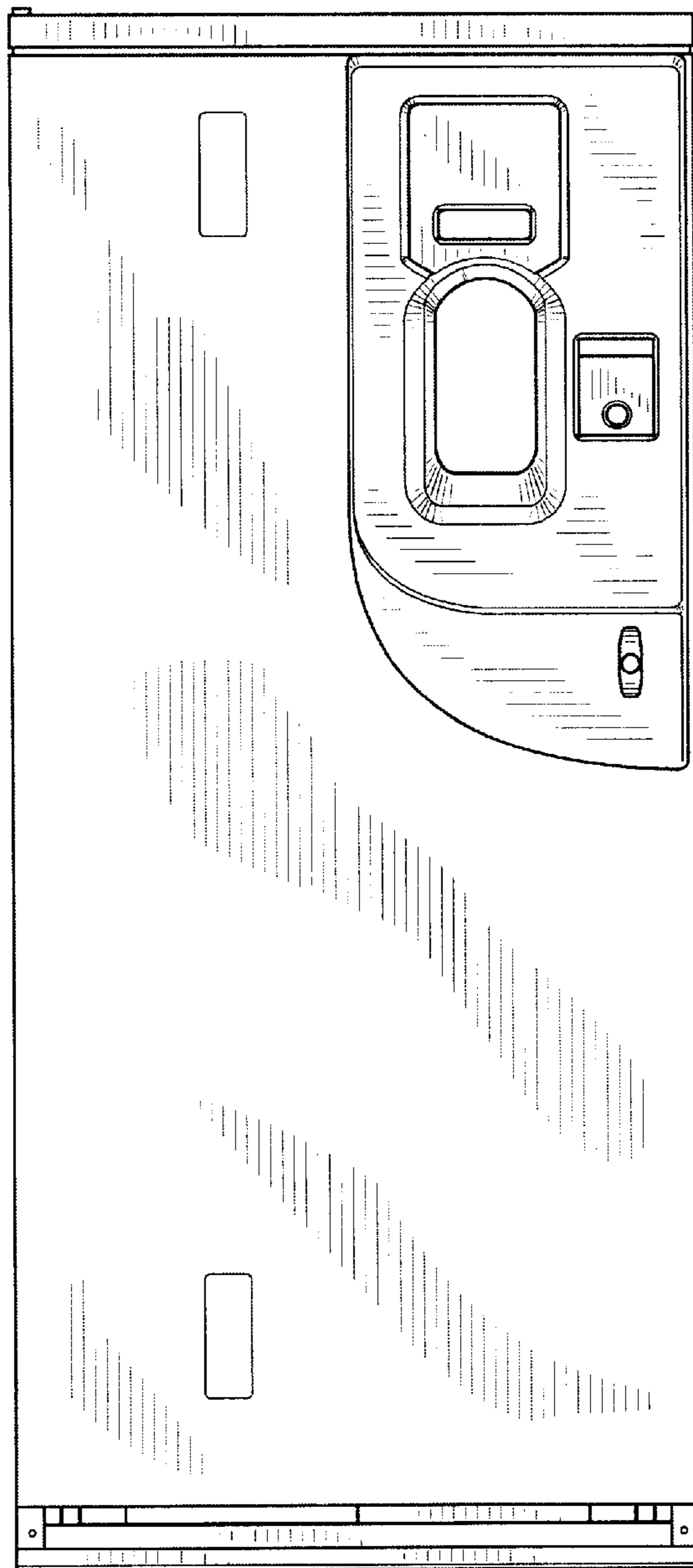


FIG. 3

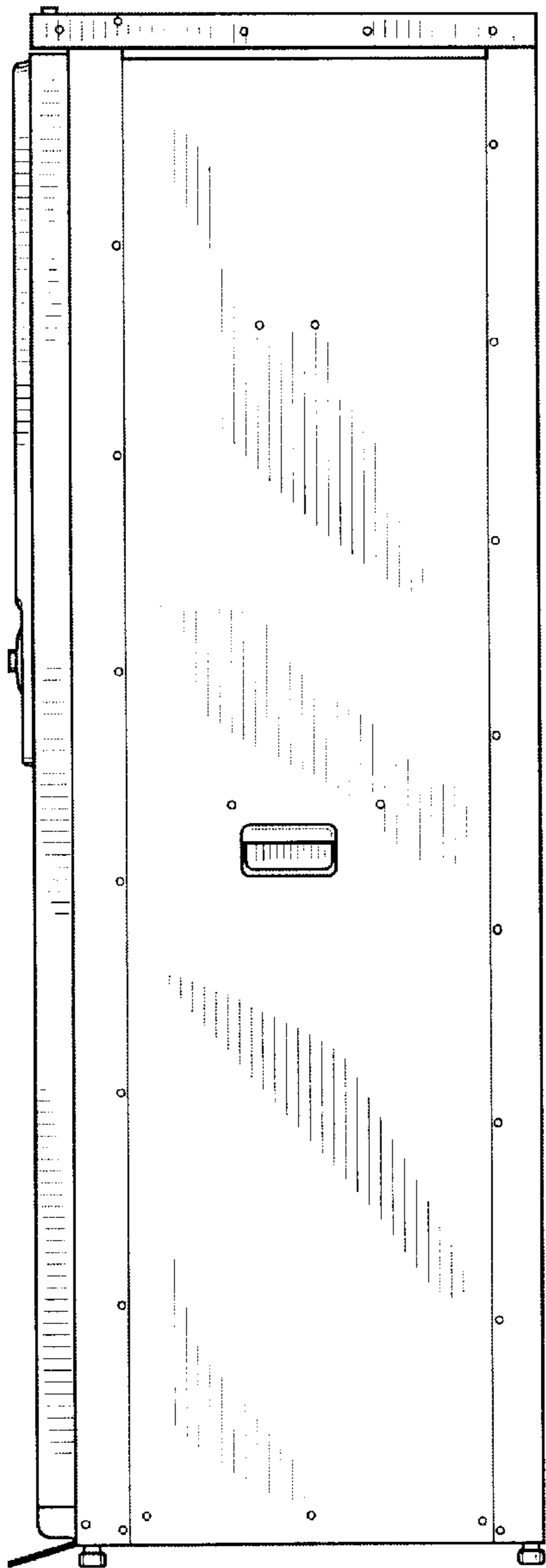


FIG. 4

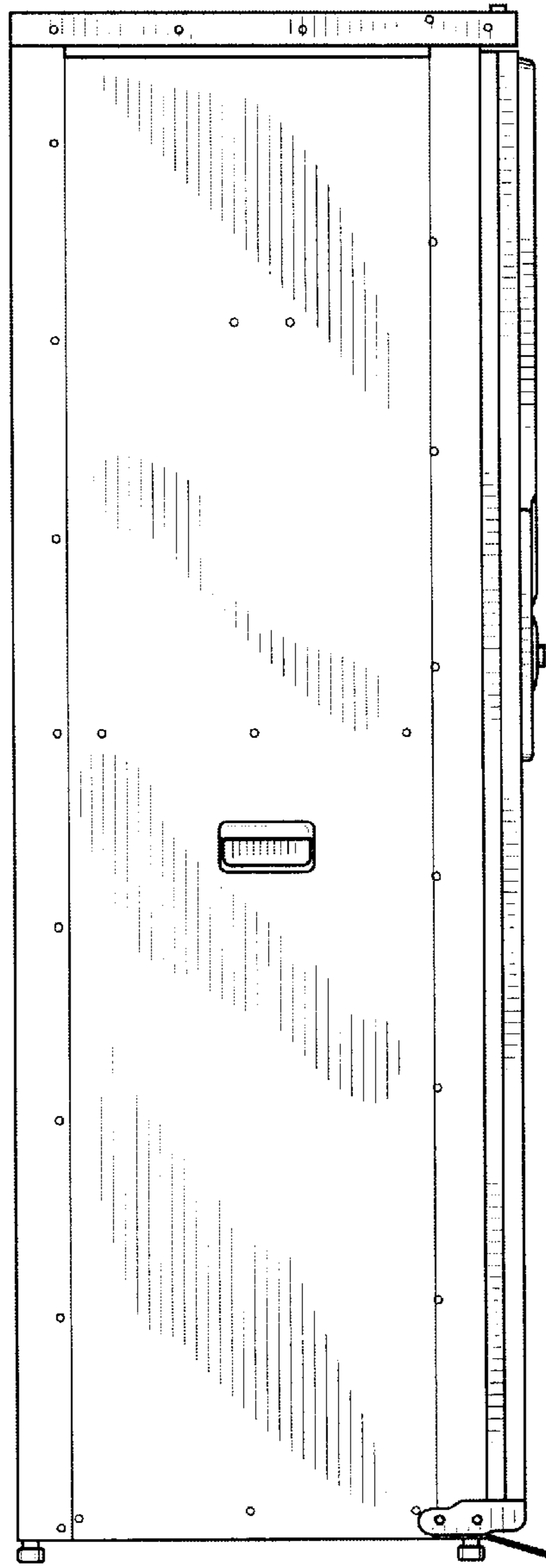
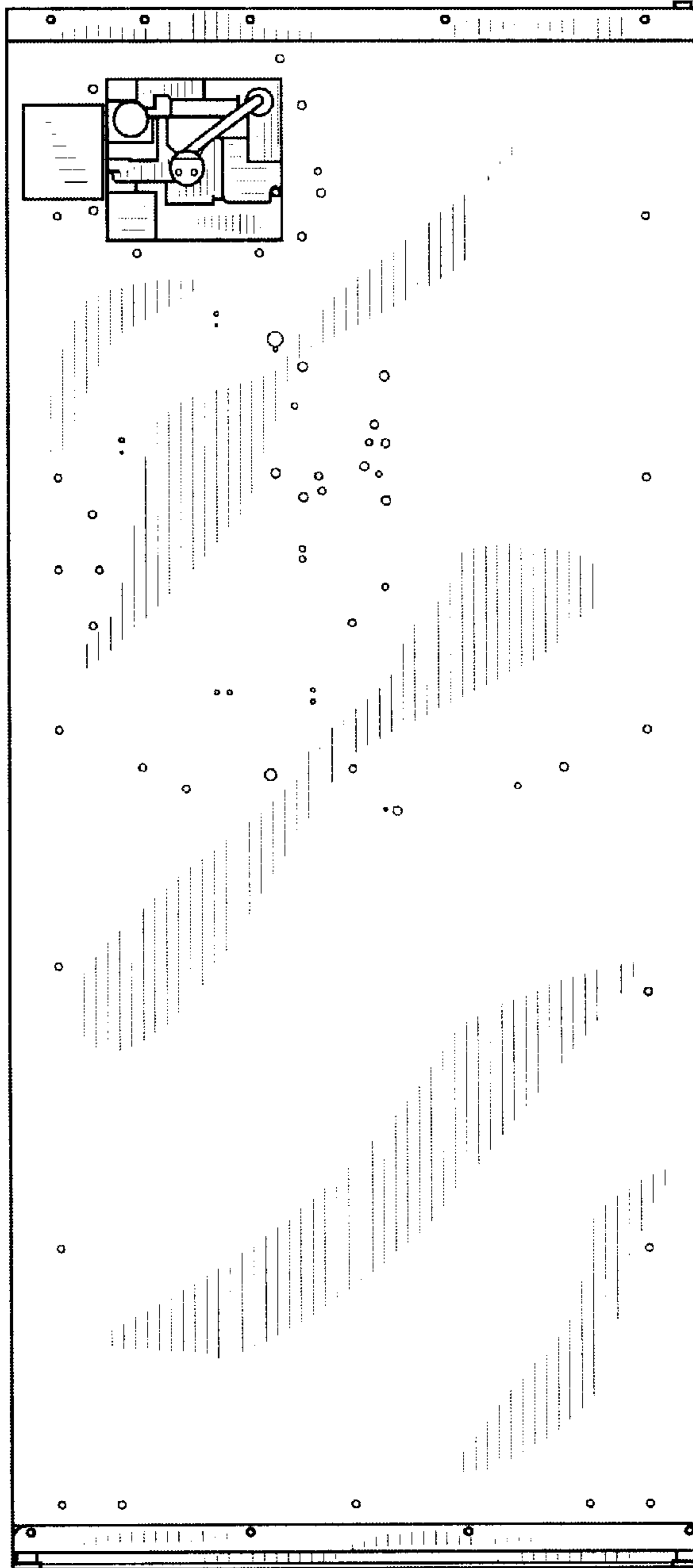
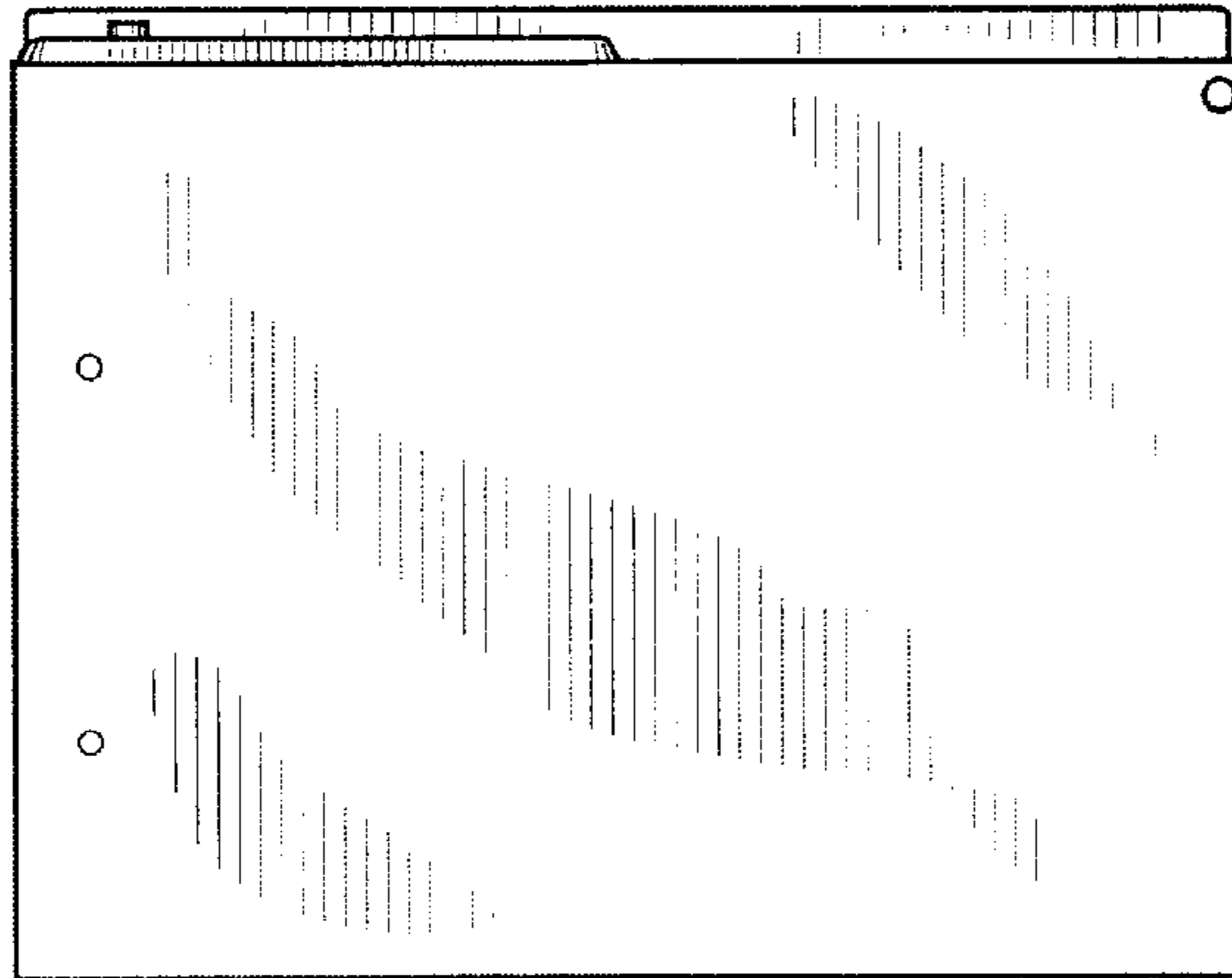


FIG. 5



**FIG. 6**



**FIG. 7**

