



US00D541869S

(12) **United States Design Patent**
Nakazawa

(10) **Patent No.:** **US D541,869 S**

(45) **Date of Patent:** **** May 1, 2007**

(54) **CASE FOR REFILLABLE LEADS FOR A MECHANICAL PENCIL**

(75) Inventor: **Hidekazu Nakazawa**, Tokyo (JP)

(73) Assignee: **Pentel Kabushiki Kaisha** (JP)

(**) Term: **14 Years**

(21) Appl. No.: **29/220,824**

(22) Filed: **Jan. 7, 2005**

(30) **Foreign Application Priority Data**

Jul. 16, 2004 (JP) 2004-021624

(51) **LOC (8) Cl.** **19-02**

(52) **U.S. Cl.** **D19/75**

(58) **Field of Classification Search** D3/298,
D3/300; D7/629; D9/414, 420, 424, 425,
D9/432, 529; D19/35, 36, 54; 206/38, 214,
206/216, 224, 380, 443, 800; 220/345.1;
401/86

See application file for complete search history.

(56) **References Cited**

U.S. PATENT DOCUMENTS

- 1,982,112 A * 11/1934 Lang 206/380
- 2,262,749 A * 11/1941 Berwald 206/380
- 2,528,819 A * 11/1950 Cohn et al. 604/403
- 2,988,209 A * 6/1961 Parrilla 206/362
- 3,622,032 A * 11/1971 Tilche 220/502
- 3,648,891 A * 3/1972 Katz et al. 221/248

- 3,815,734 A * 6/1974 Kruckel 206/443
- 4,811,842 A * 3/1989 Sekiya 206/443
- 4,838,426 A * 6/1989 Dalbo 206/574
- 5,353,956 A * 10/1994 Wilson 221/198
- 5,370,219 A * 12/1994 Violet, Jr. 206/38
- 5,480,249 A * 1/1996 Kageyama et al. 401/60
- D412,279 S * 7/1999 Brice D7/629
- 6,179,124 B1 * 1/2001 Oka et al. 206/443
- D449,073 S * 10/2001 Oka et al. D19/75
- D480,561 S * 10/2003 Simon et al. D3/294
- D499,341 S * 12/2004 Lovison D9/529

* cited by examiner

Primary Examiner—Elizabeth A. Albert

(74) *Attorney, Agent, or Firm*—Adams & Wilks

(57) **CLAIM**

The ornamental design for a case for refillable leads for a mechanical pencil, as shown and described.

DESCRIPTION

FIG. 1 is a perspective view of a case for refillable leads for a mechanical pencil showing my new design; FIG. 2 is a front elevational view thereof; FIG. 3 is a top plan view thereof; FIG. 4 is a bottom plan view thereof; FIG. 5 is a left side elevational view thereof; FIG. 6 is a right side elevational view thereof; and, FIG. 7 is a front elevational view thereof, showing the case in a state of use.

1 Claim, 2 Drawing Sheets

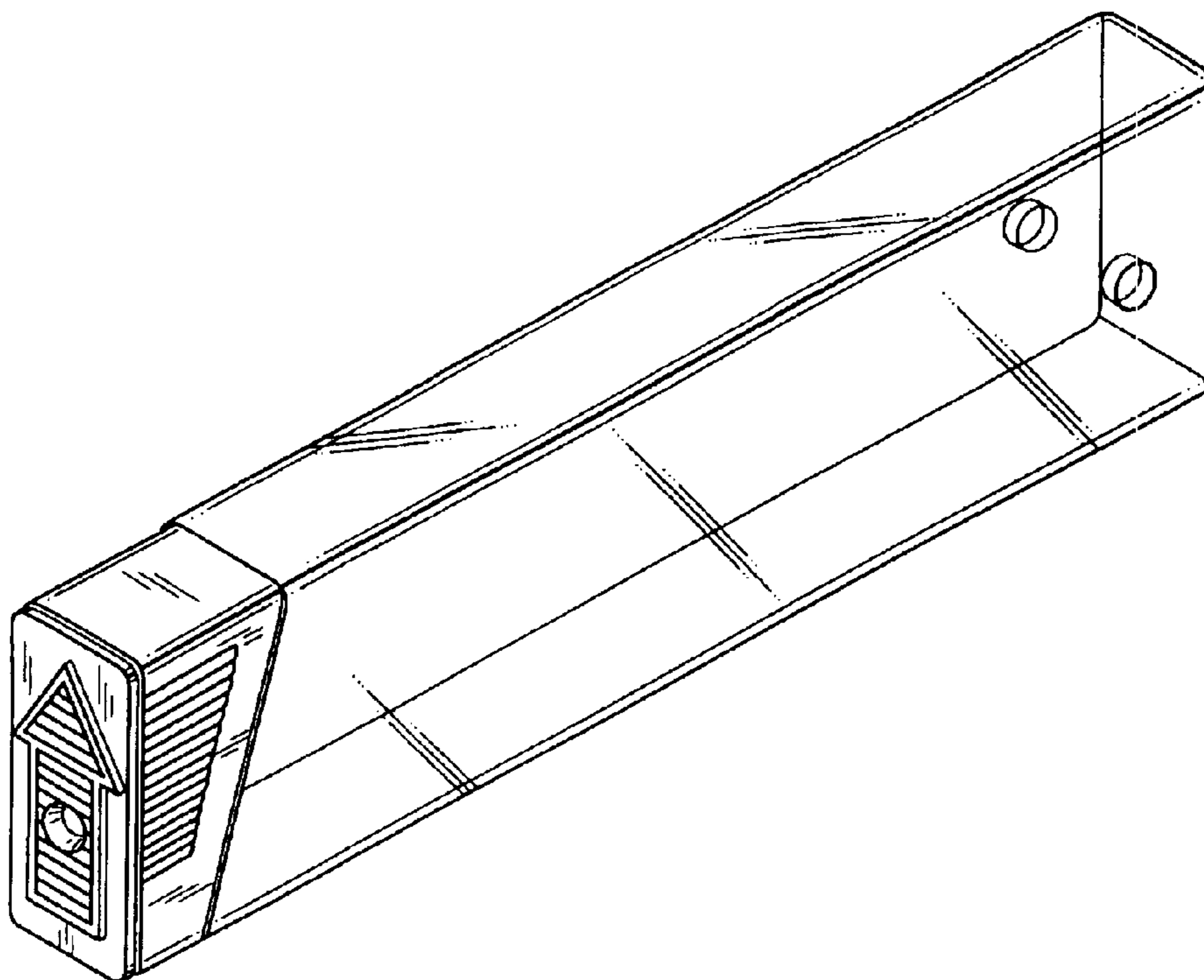


FIG. 1

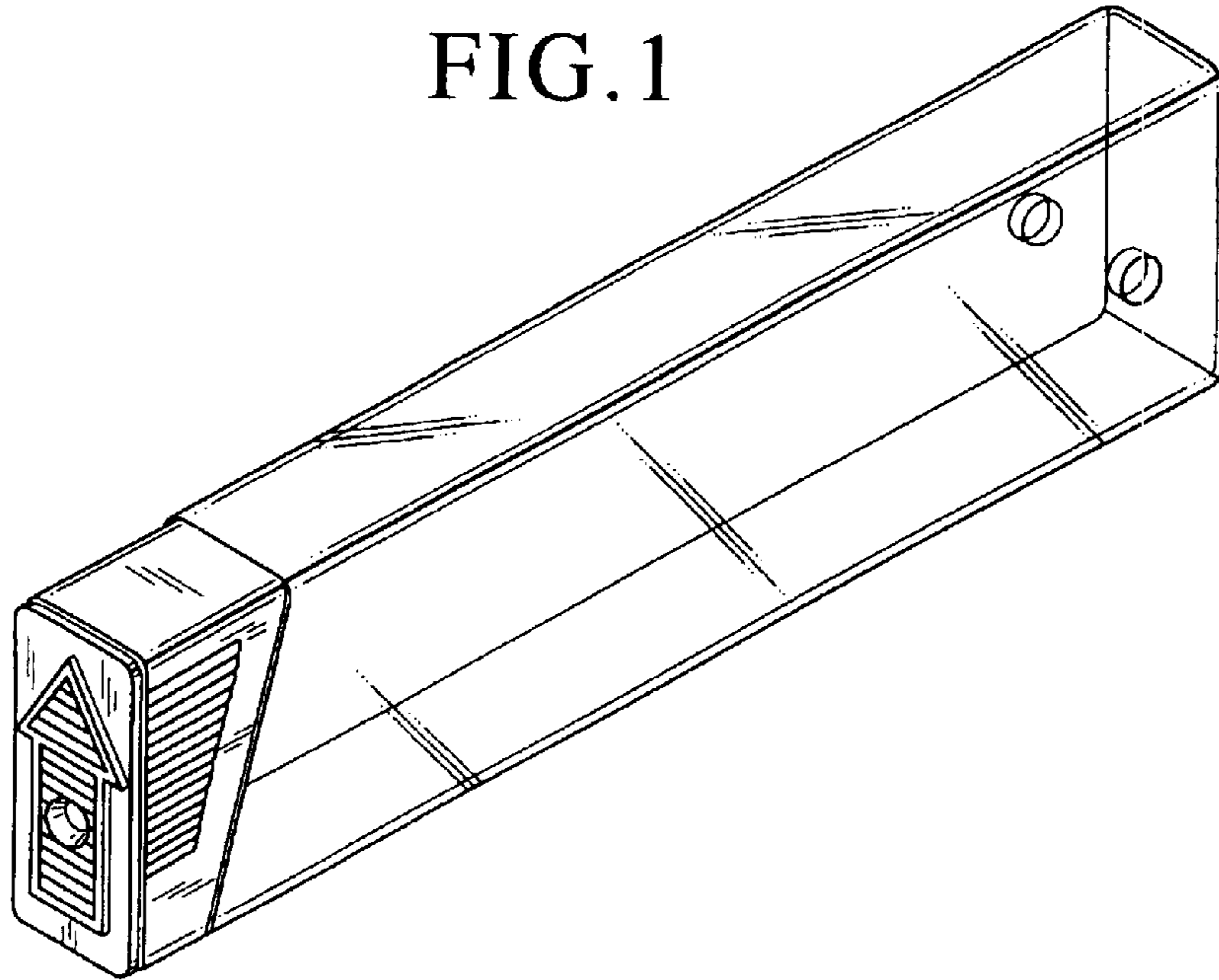


FIG. 2

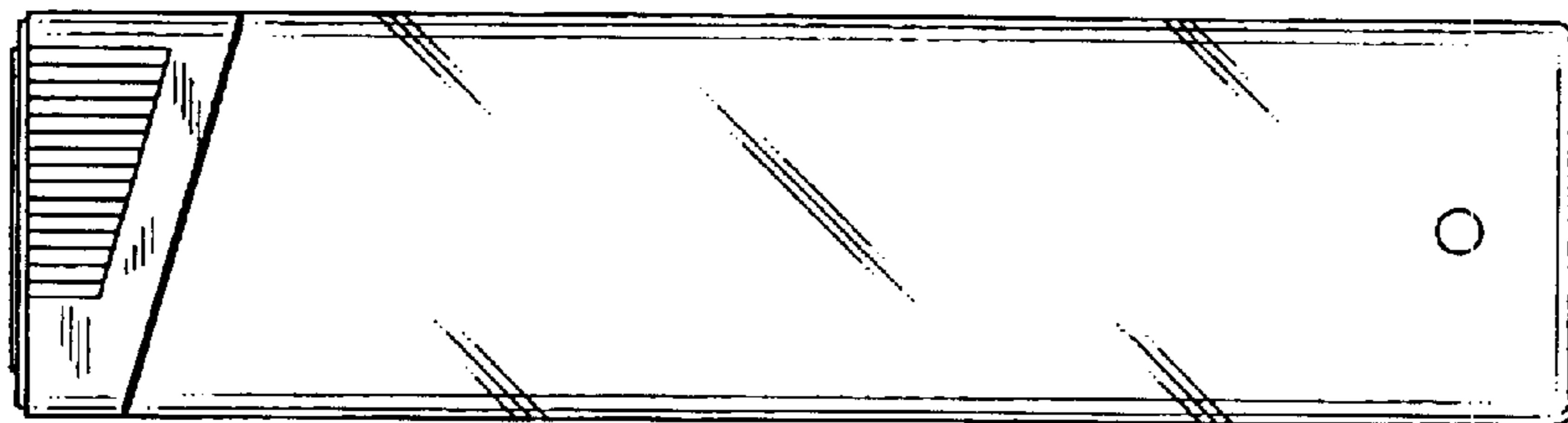


FIG. 3

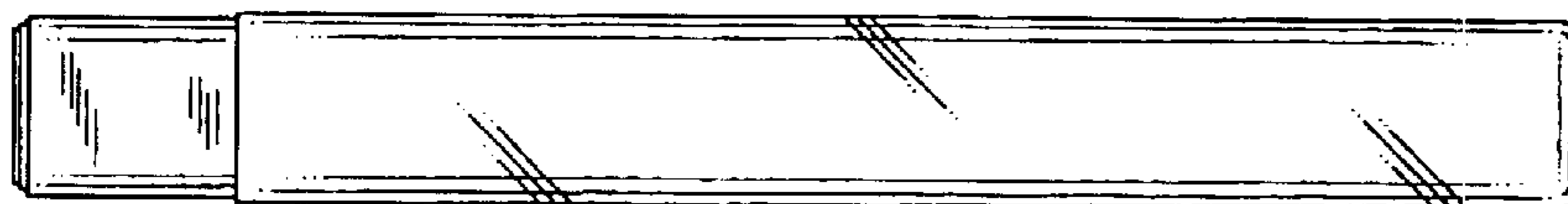


FIG. 4



FIG. 5

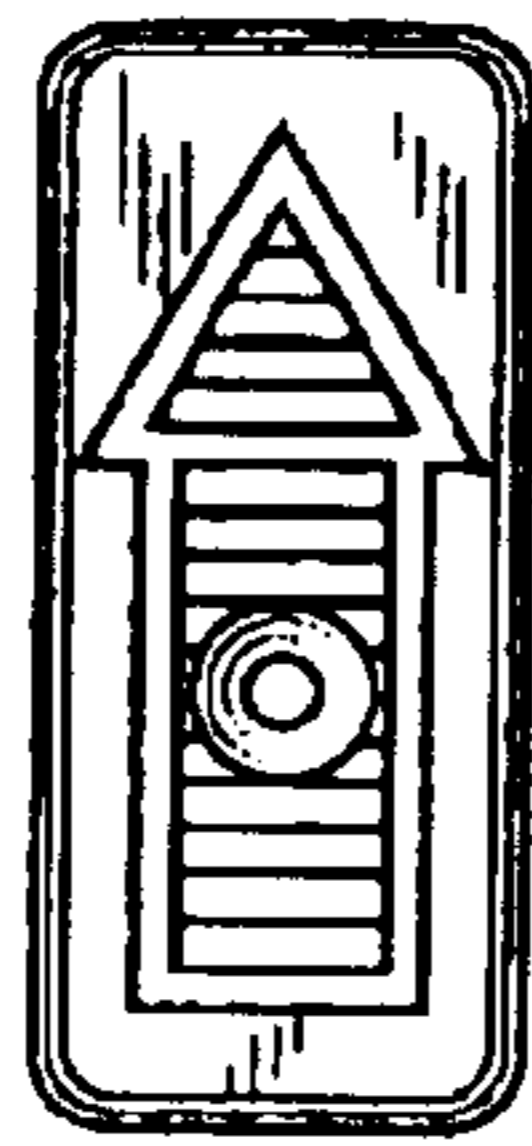


FIG. 6



FIG. 7

