

US00D541868S

(12) **United States Design Patent**
Han

(10) **Patent No.:** **US D541,868 S**

(45) **Date of Patent:** **** May 1, 2007**

(54) **PENCIL SHARPENER**

(76) Inventor: **Yong Kyu Han**, 101-302 Hyundai 1st Apt., 1344 Bandbae-dong, Seocho-gu, Seoul 137-060 (KR)

(**) Term: **14 Years**

(21) Appl. No.: **29/242,075**

(22) Filed: **Nov. 4, 2005**

(30) **Foreign Application Priority Data**

Jun. 27, 2005 (KR) 30-2005-0021360

(51) **LOC (8) Cl.** **19-06**

(52) **U.S. Cl.** **D19/74**

(58) **Field of Classification Search** D3/235, D3/238; D8/91, 98; D19/72-74, 80, 99; 30/451-462; 144/28.1, 28.11, 28.2-28.7, 28.72, 28.8, 28.9
See application file for complete search history.

(56) **References Cited**

U.S. PATENT DOCUMENTS

D147,863 S	*	11/1947	Ness	D19/74
D151,456 S	*	10/1948	Kihlberg	D19/74
D152,554 S	*	2/1949	May	D19/74
D155,129 S	*	9/1949	Degefors	D19/74
D158,296 S	*	4/1950	Landeborn	D19/74
D159,400 S	*	7/1950	Wimmer	D19/73
D171,126 S	*	12/1953	Fryer	D19/74
D189,384 S	*	11/1960	Hohmann	D19/72
D284,391 S	*	6/1986	Obenski	D19/99

D335,308 S	*	5/1993	Shapiro et al.	D19/73
5,875,555 A	*	3/1999	Andrisin et al.	30/452
D417,238 S	*	11/1999	Huang	D19/74

* cited by examiner

Primary Examiner—Elizabeth A. Albert
(74) *Attorney, Agent, or Firm*—Porter, Wright, Morris & Arthur, LLP

(57) **CLAIM**

The ornamental design for a pencil sharpener, as shown and described.

DESCRIPTION

FIG. 1 is a perspective view of a pencil sharpener showing my new design;
FIG. 2 is a front elevational view of the pencil sharpener of FIG. 1;
FIG. 3 is a rear elevational view of the pencil sharpener of FIGS. 1 and 2;
FIG. 4 is a left side elevational view of the pencil sharpener of FIGS. 1 to 3, the right side elevational view being a mirror image thereof;
FIG. 5 is a top plan view of the pencil sharpener of FIGS. 1 to 4; and,
FIG. 6 is a bottom plan view of the pencil sharpener of FIGS. 1-5.
The broken lines shown in the drawing are for information purposes only and form no part of the claimed design.

1 Claim, 5 Drawing Sheets

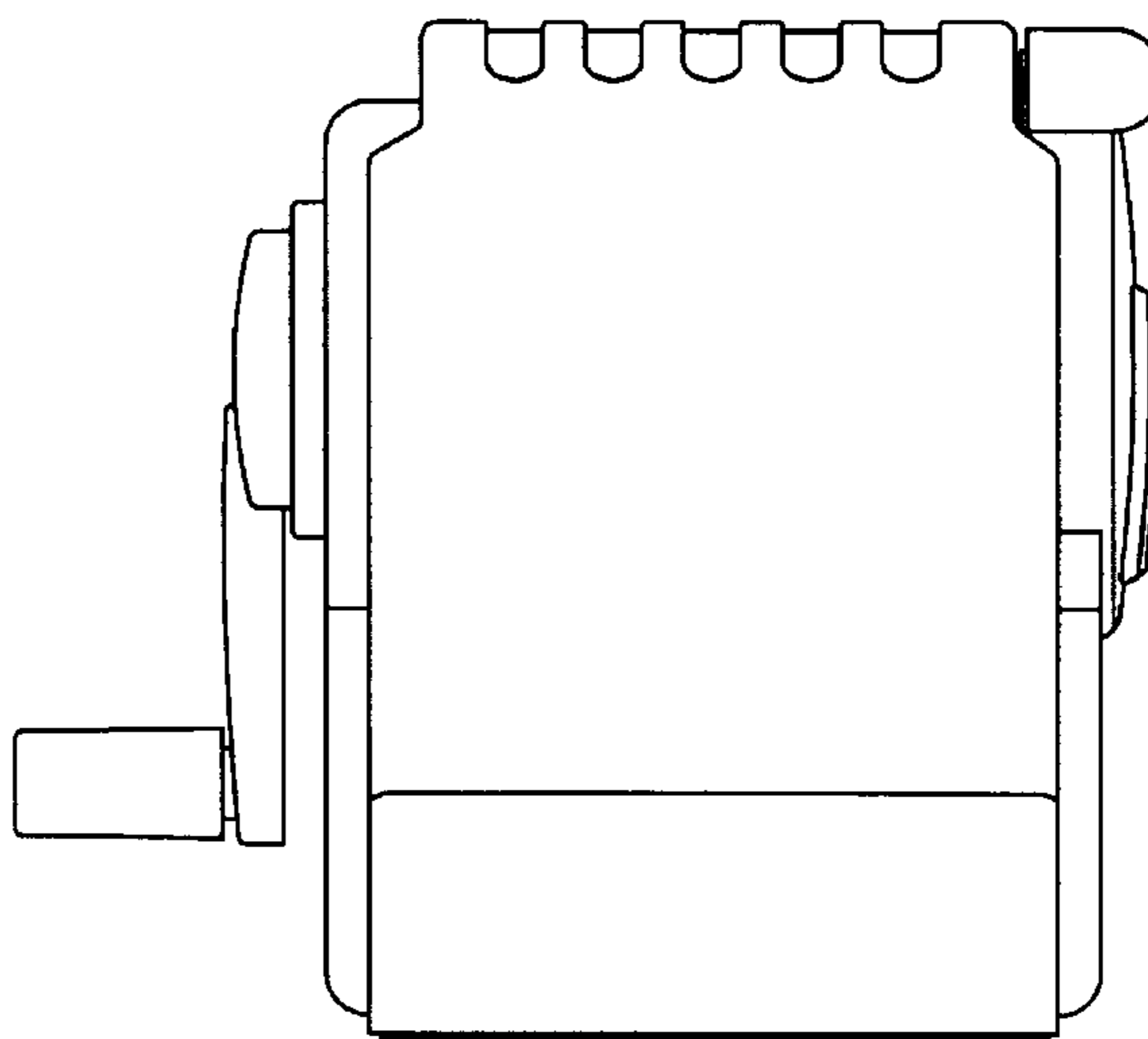
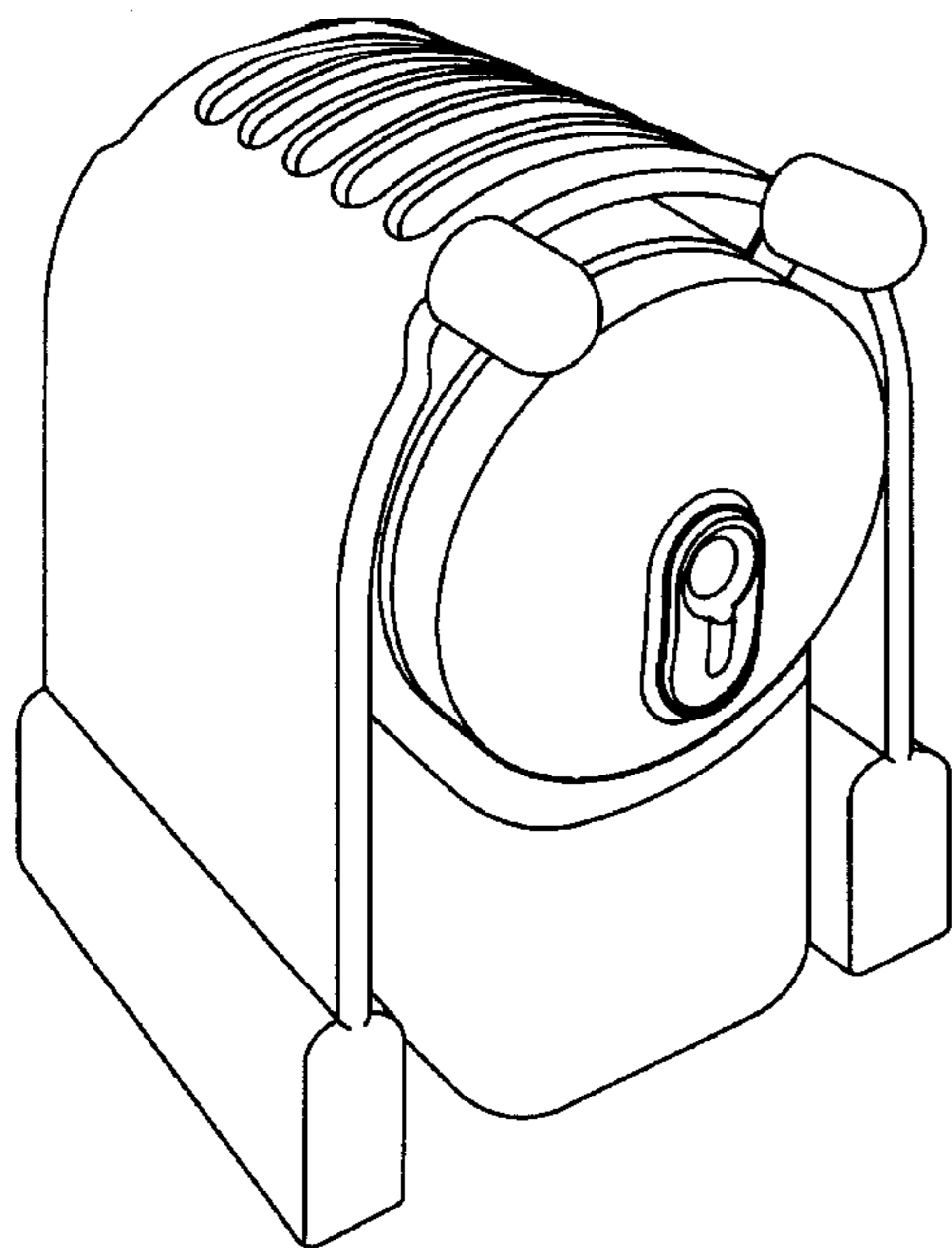


Fig. 1

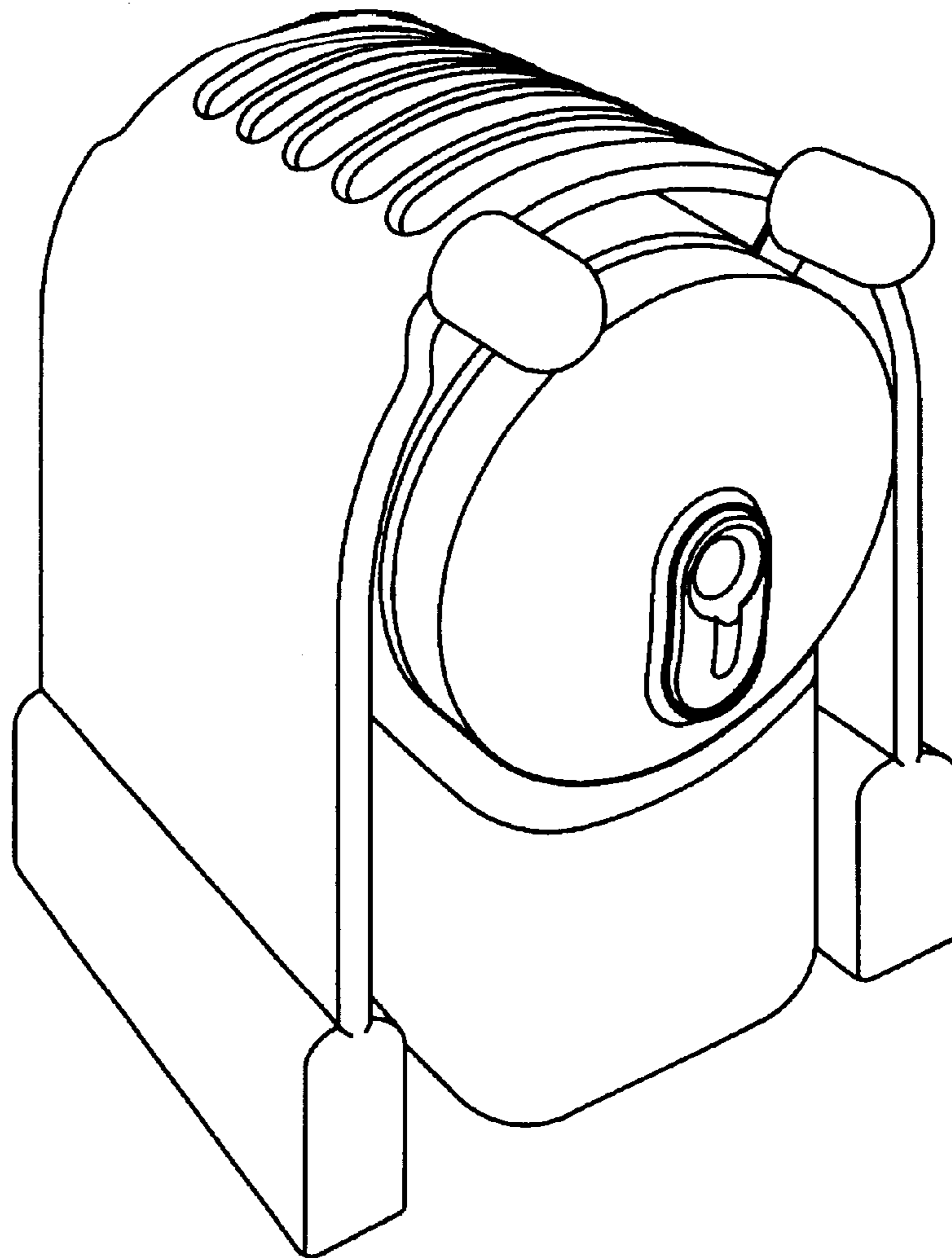


Fig. 2

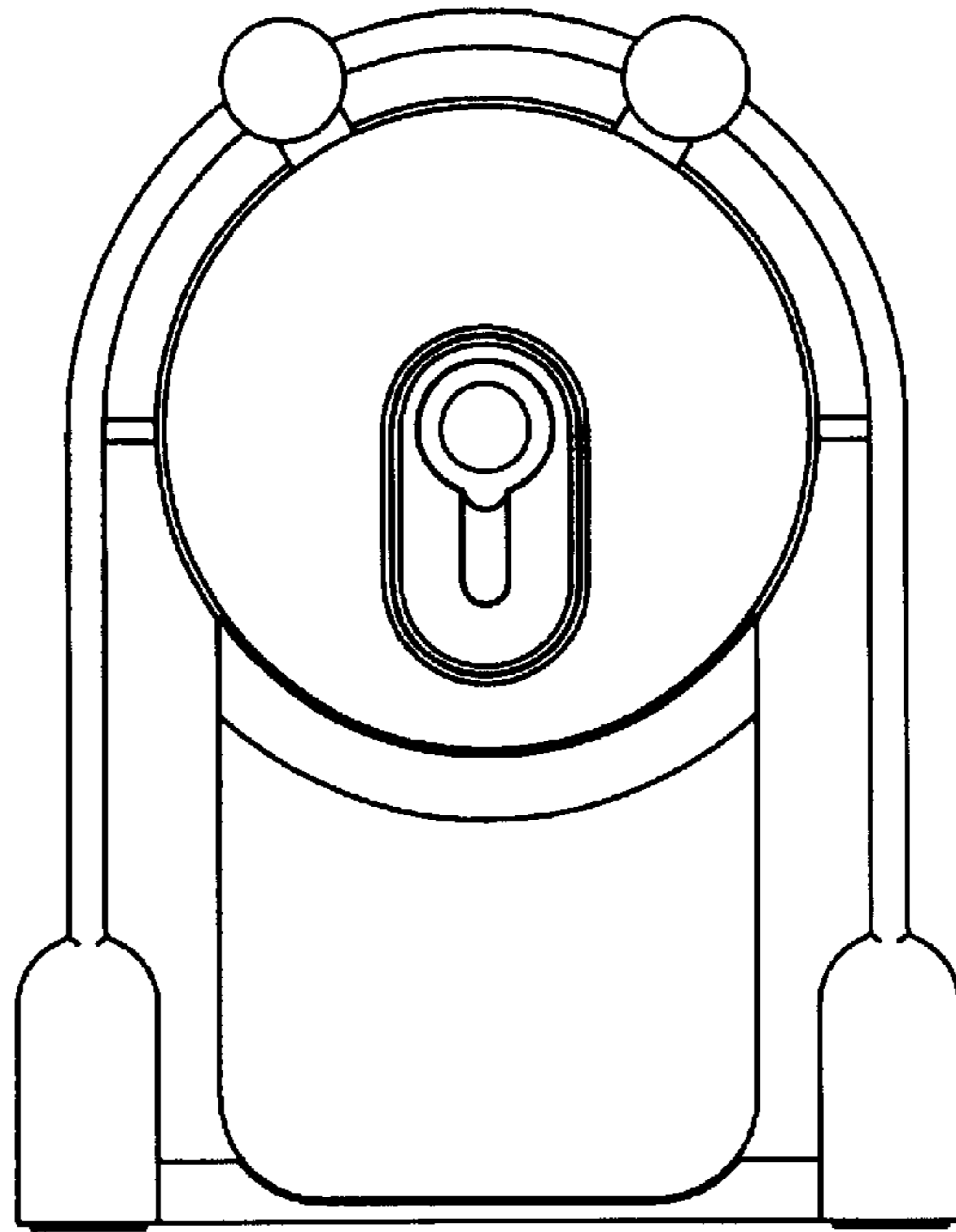


Fig. 3

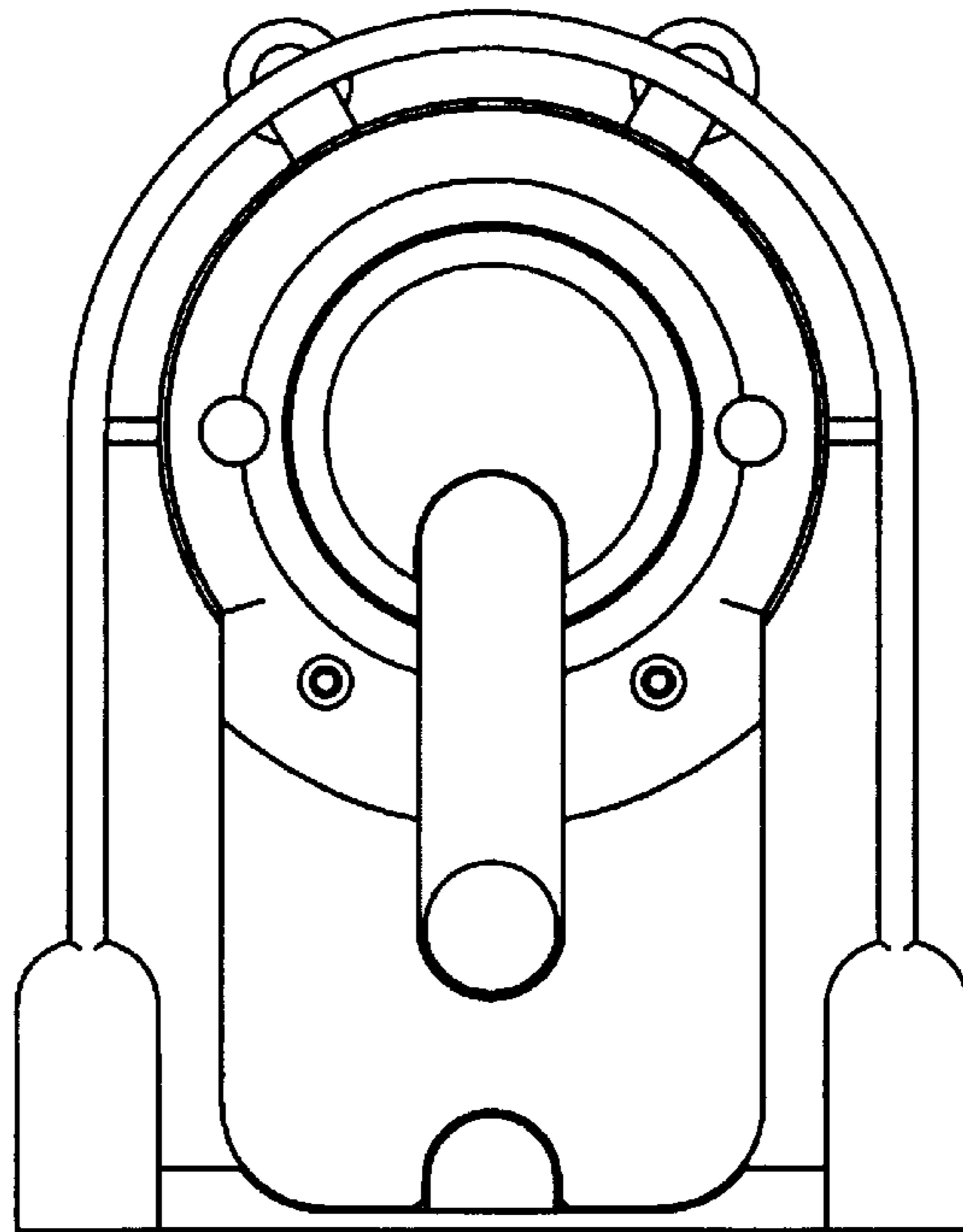


Fig. 4

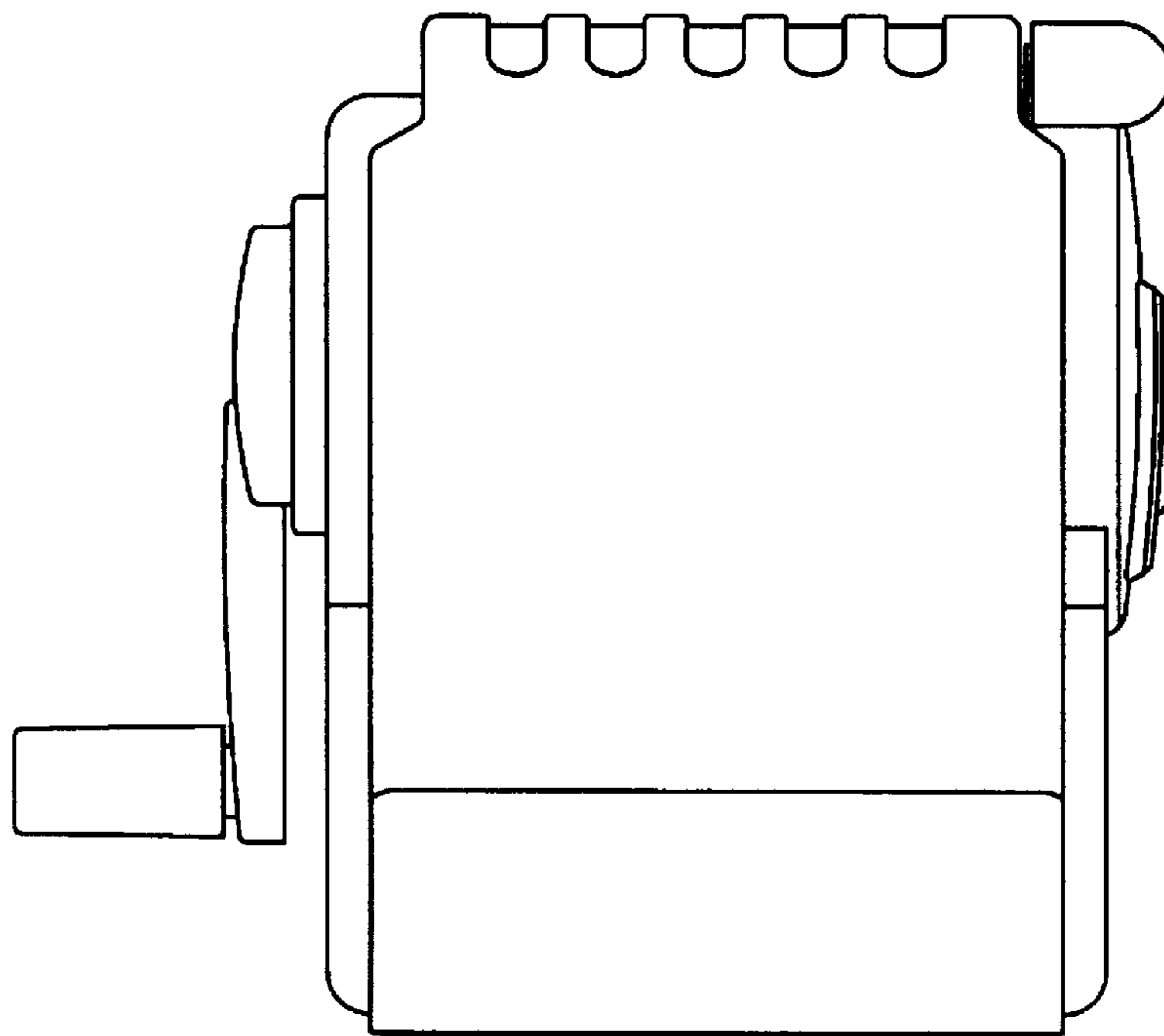
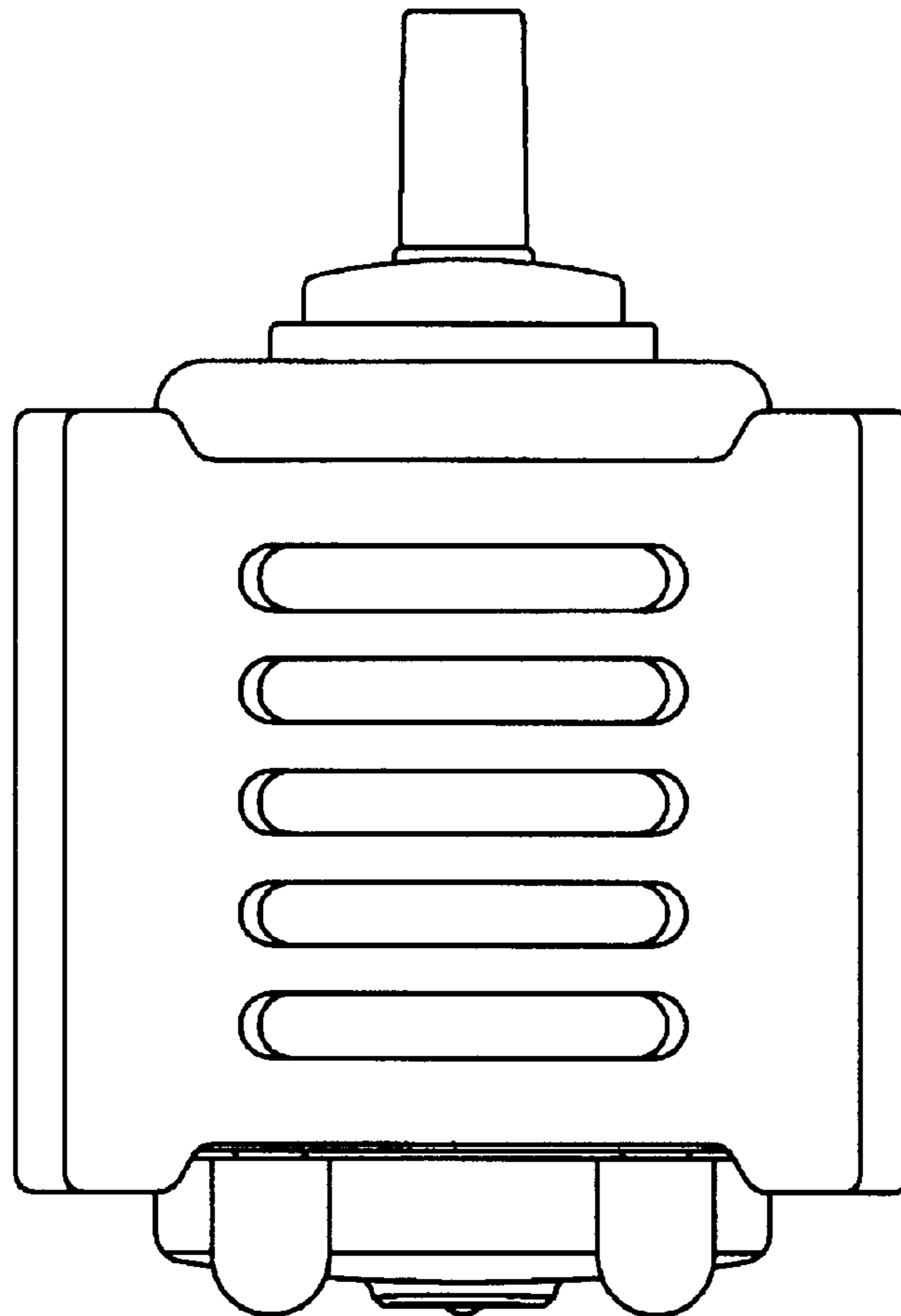


Fig. 5



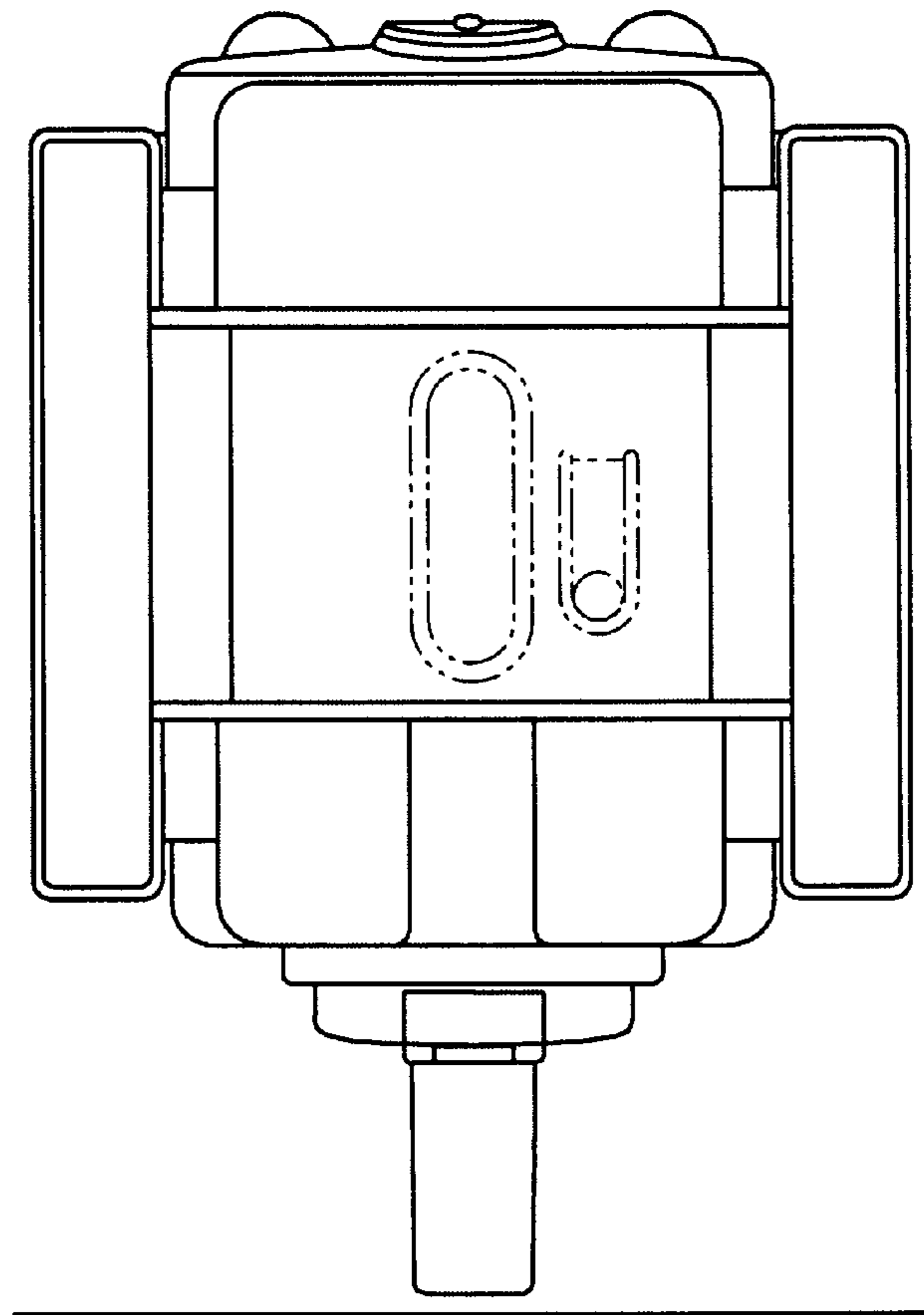


Fig. 6