

US00D541865S

(12) **United States Design Patent**
Kent et al.

(10) **Patent No.:** **US D541,865 S**

(45) **Date of Patent:** **** May 1, 2007**

(54) **TAPE DISPENSER**

(75) Inventors: **Michael Kent**, Cumberland, RI (US);
William D. Hester, Meriden, CT (US)

(73) Assignee: **Staples the Office Superstore, LLC**,
Framingham, MA (US)

(**) Term: **14 Years**

(21) Appl. No.: **29/243,655**

(22) Filed: **Nov. 29, 2005**

(51) **LOC (8) Cl.** **19-02**

(52) **U.S. Cl.** **D19/69**

(58) **Field of Classification Search** D19/70,
D19/69, 68; 242/588.6, 588.3, 588.2; 225/77,
225/6, 56, 39, 26, 25, 19, 11; 206/411; 156/577,
156/527, 523

See application file for complete search history.

(56) **References Cited**

U.S. PATENT DOCUMENTS

D135,165 S	*	3/1943	Michael	D19/69
D186,920 S	*	12/1959	Schieman	D19/69
D248,561 S	*	7/1978	Deering, Jr.	D19/69
4,222,509 A	*	9/1980	Smith	225/77
D289,180 S	*	4/1987	Crawford et al.	D19/69
D359,511 S	*	6/1995	Nash et al.	D19/69

D404,430 S	*	1/1999	Shen	D19/69
D416,045 S	*	11/1999	Shen	D19/69
D430,213 S	*	8/2000	Huang	D19/69
D486,521 S	*	2/2004	Crawford et al.	D19/69
D496,691 S	*	9/2004	Crawford et al.	D19/69
D504,155 S	*	4/2005	Crawford et al.	D19/69

* cited by examiner

Primary Examiner—Cathron C. Brooks

Assistant Examiner—Austin Murphy

(74) *Attorney, Agent, or Firm*—Wolf, Greenfield & Sacks,
P.C.

(57) **CLAIM**

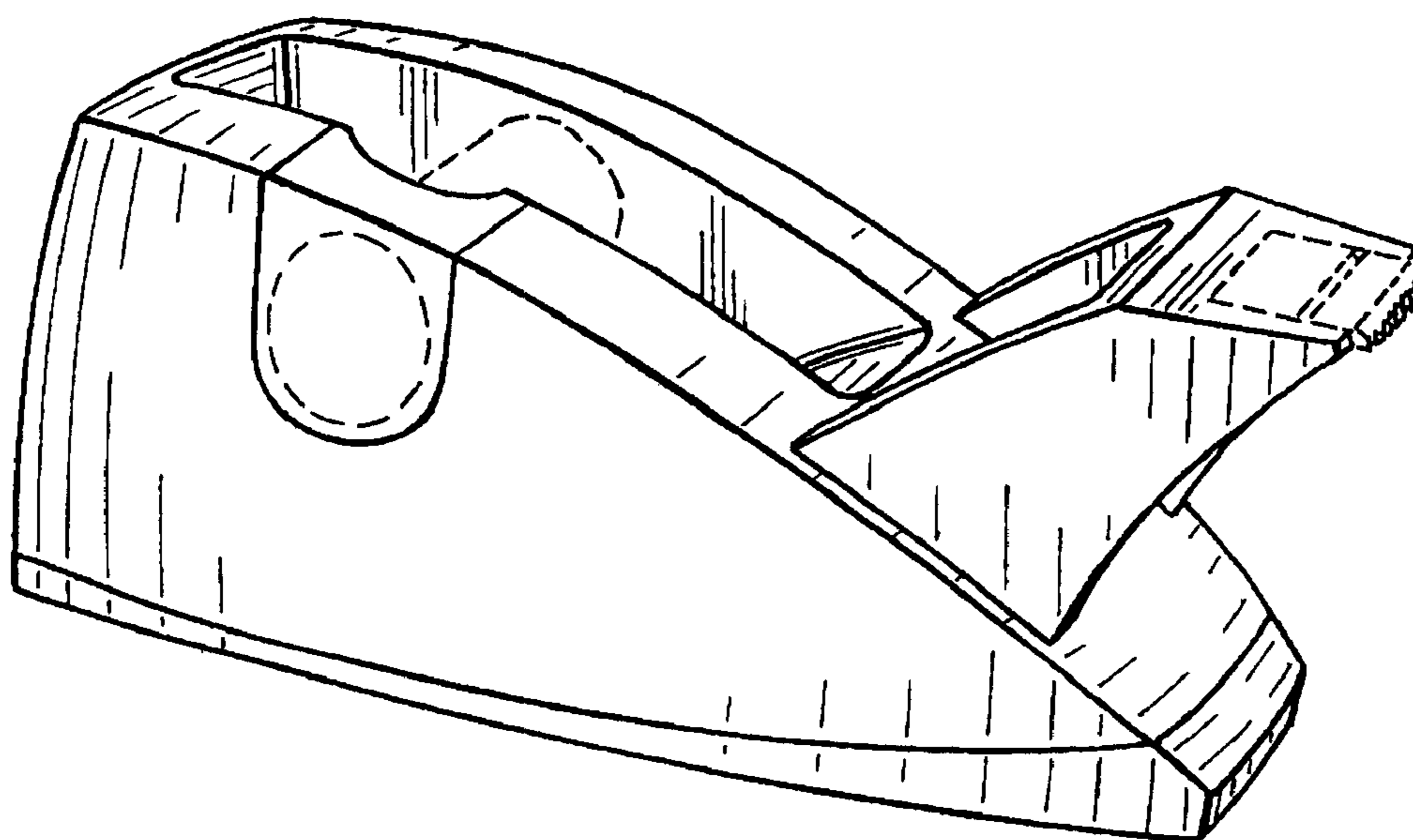
The ornamental design for a tape dispenser, as shown and described.

DESCRIPTION

FIG. 1 is a side, top, perspective view of the tape dispenser; FIG. 2 is a right side view thereof; FIG. 3 is a left side view thereof; FIG. 4 is a front view thereof; FIG. 5 is a rear view thereof; and FIG. 6 is a top view thereof; and, FIG. 7 is a bottom view thereof.

The broken line showing of the tape holding element and the tape cutting element in FIGS. 1-4, 6 and 7 form no part of the claimed design.

1 Claim, 2 Drawing Sheets



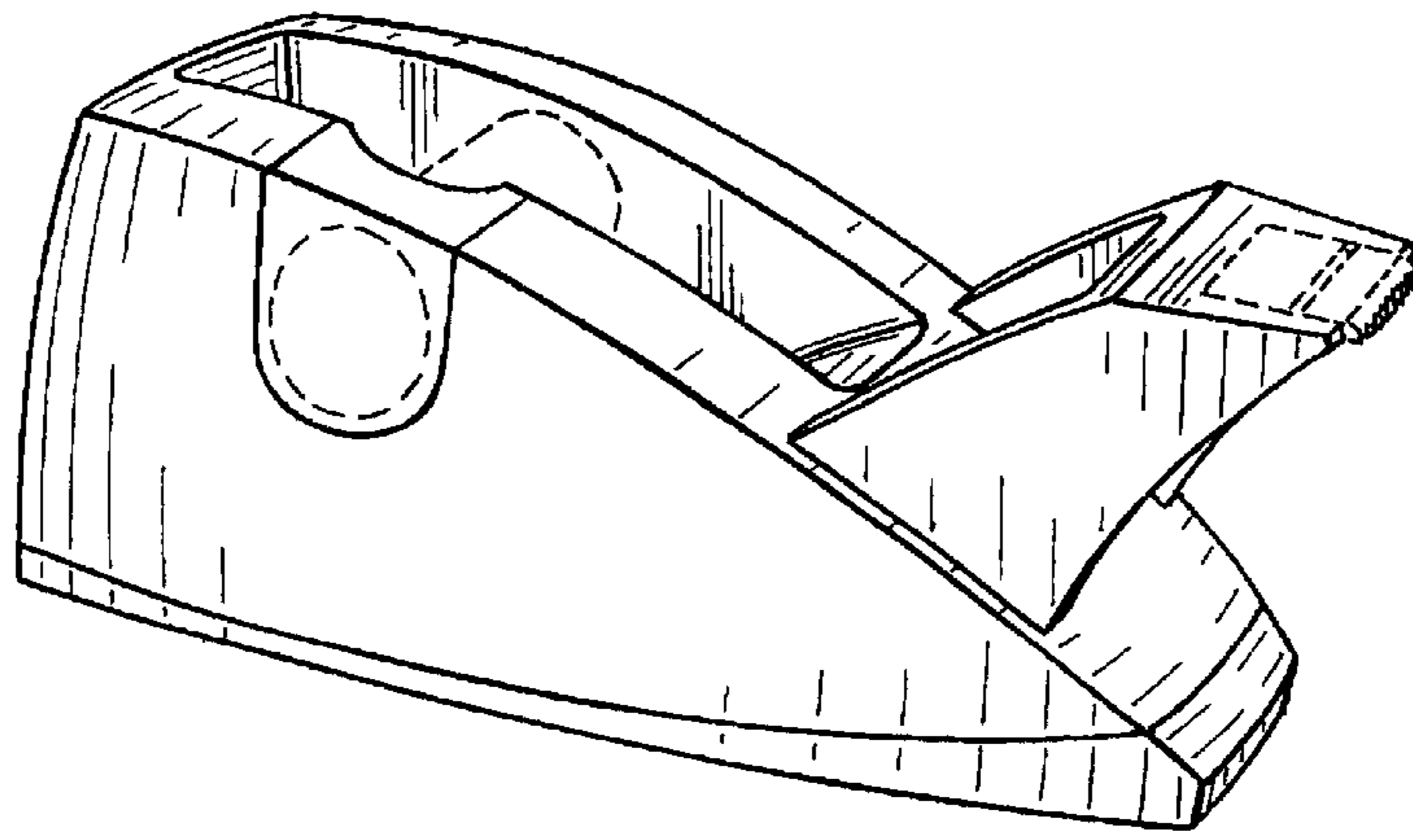


Fig. 1

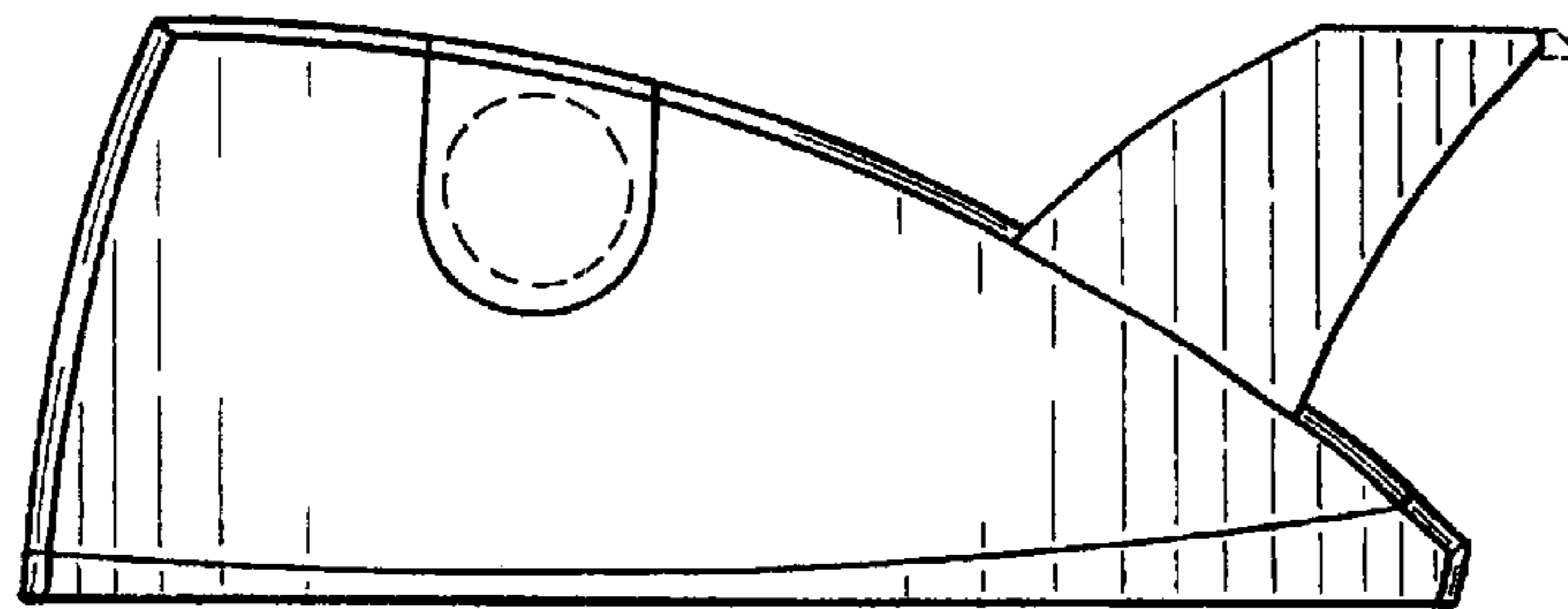


Fig. 2

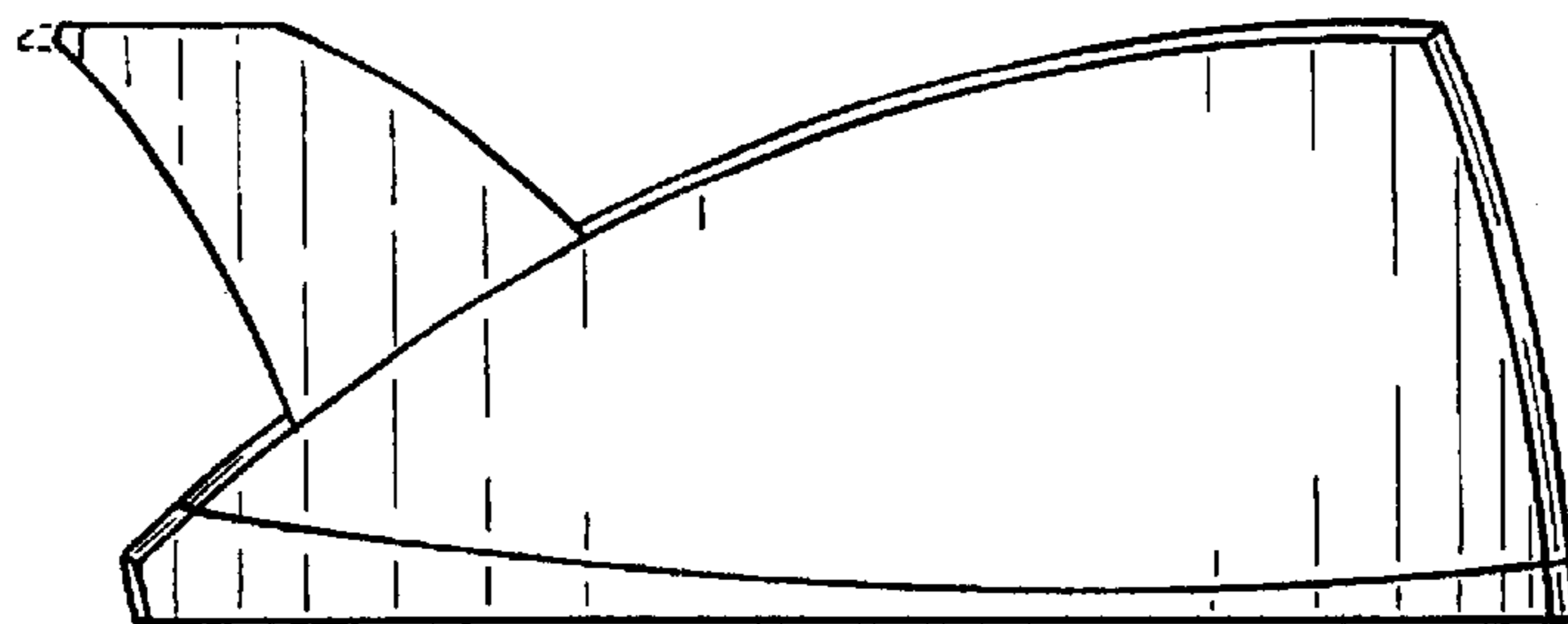


Fig. 3

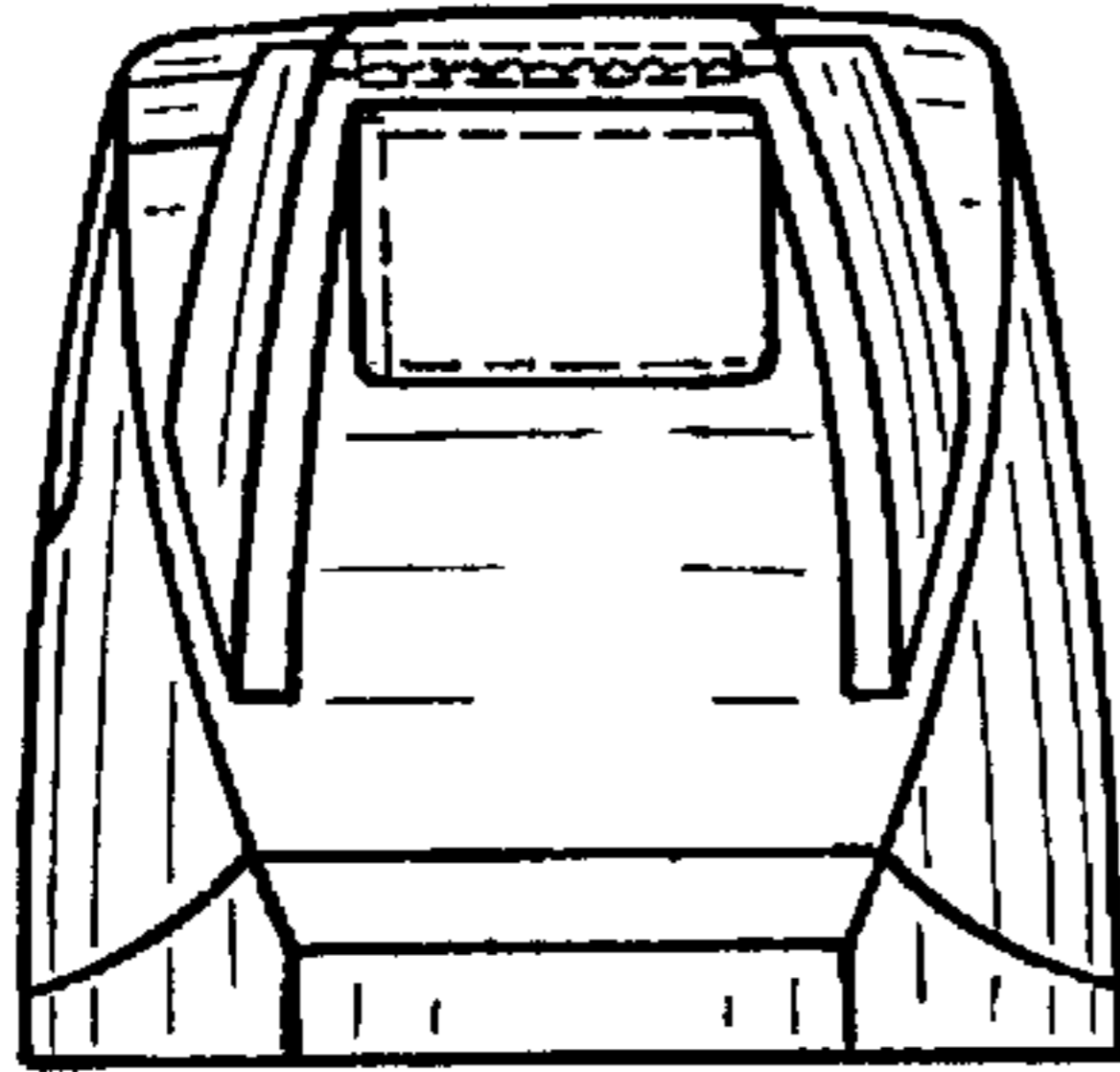


Fig. 4

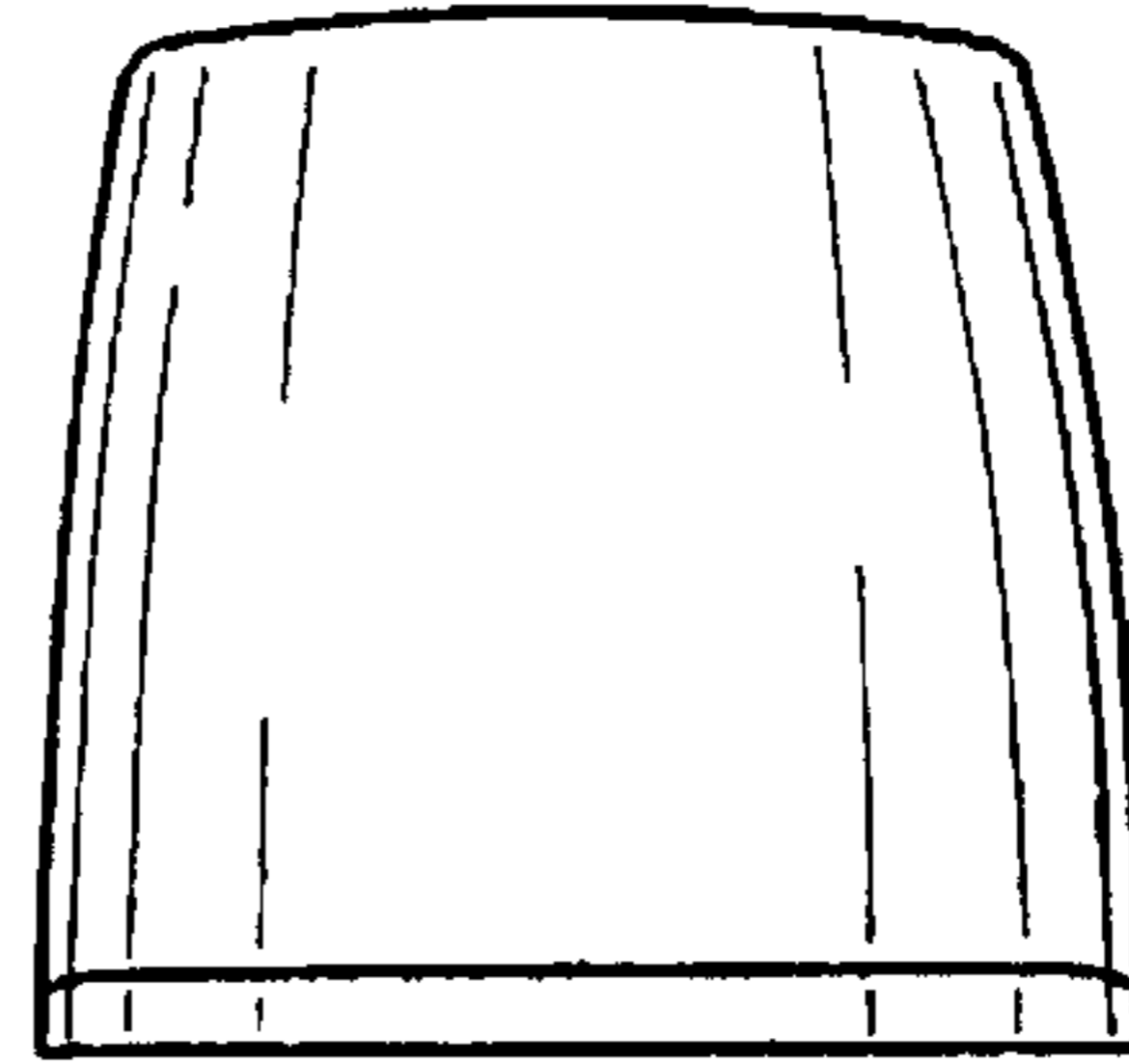


Fig. 5

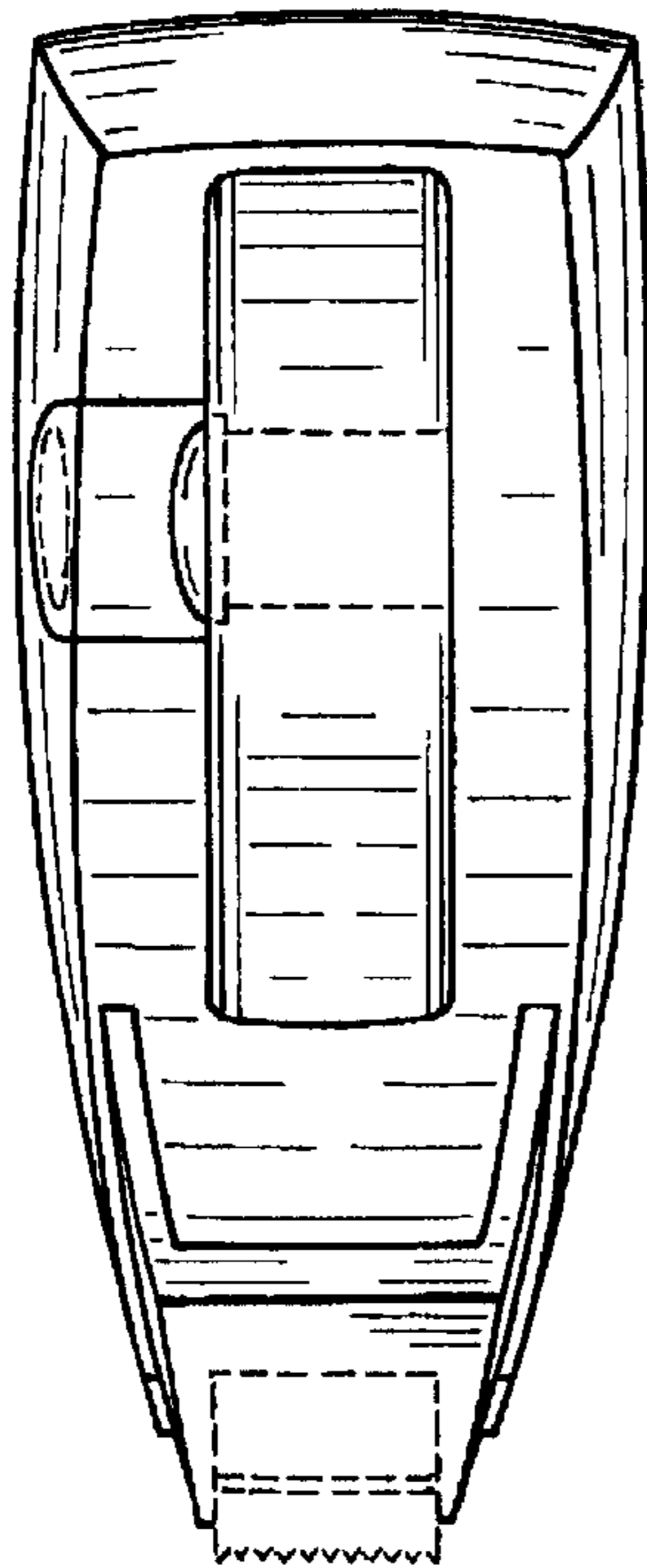


Fig. 6

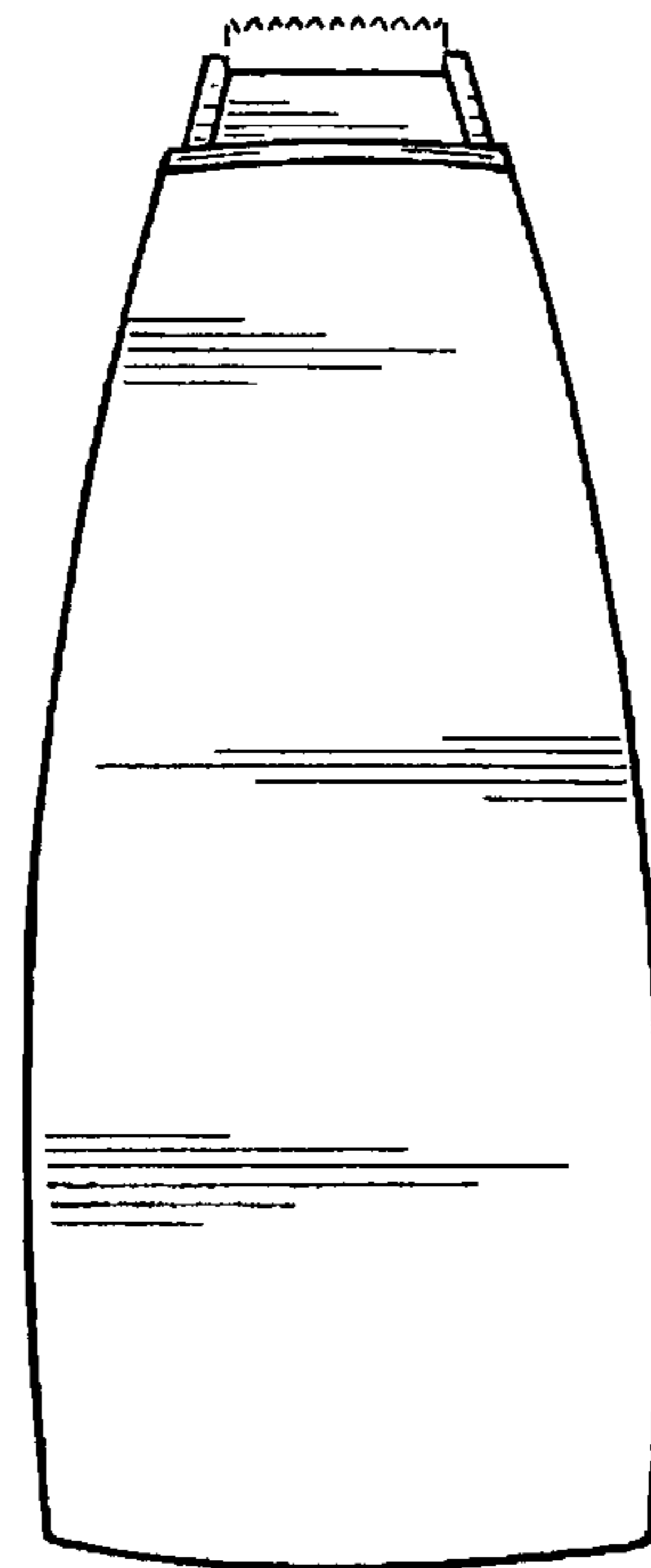


Fig. 7