



US00D541864S

(12) **United States Design Patent**
Porcini et al.

(10) **Patent No.:** **US D541,864 S**
(45) **Date of Patent:** **** May 1, 2007**

(54) **TAPE DISPENSER**

(75) Inventors: **Mauro Porcini**, Milan (IT); **Matthieu Aquino**, Milan (IT)

(73) Assignee: **3M Innovative Properties Company**, St. Paul, MN (US)

(**) Term: **14 Years**

(21) Appl. No.: **29/239,950**

(22) Filed: **Oct. 6, 2005**

(51) **LOC (8) Cl.** **19-02**

(52) **U.S. Cl.** **D19/69**

(58) **Field of Classification Search** D19/70,
D19/69, 68; 242/588.6, 588.3, 588.2; 225/77,
225/6, 56, 39, 26, 25, 19, 11; 206/411; 156/577,
156/527, 523

See application file for complete search history.

(56) **References Cited**

U.S. PATENT DOCUMENTS

D116,599 S	9/1939	Reinecke	
D118,629 S	1/1940	Reinecke	
D144,215 S	3/1946	Preble	
D164,556 S	9/1951	Donkin	
2,604,166 A	7/1952	Turner	
D170,429 S	9/1953	Reinecke	
D177,224 S	3/1956	Gershen	
D186,920 S	* 12/1959	Michael et al. D19/69

(Continued)

OTHER PUBLICATIONS

3M Product Pamphlet from 3M Office Supplies Division, A World of Difference, New Products, "Scotch® Pop-up/Roll Tape Combo Dispenser," p. 8, 2002, printed in USA.

3M Product Pamphlet from 3M Office Supplies Division, Working Solutions Working for You, "Scotch® Pop-up/Roll Tape Combo Dispenser," p. 12, 2002, printed in USA.

3M Product Pamphlet from 3M Stationery Products Division, Scotch® Transparent Tape, (6-page tri-fold), 2003, printed in USA.

3M Product Pamphlet from 3M Stationery Products Division, Scotch® Magic™ Tape, 2 pages, 2002, printed in USA.

3M Product Pamphlet from 3M Stationery Products Division, Scotch® Gift Wrap Tape, 2 pages, 2003, printed in USA.

Scotch brand Pop-up/Roll Tape Combo dispenser and packaging, manufactured by 3M Company, pp. 1-15. Product was on sale prior to Jul. 2, 2003.

3M Product Pamphlet from 3M Stationery Products Division, Büroprodukte, Catalog 95-96, pp. 15.

Primary Examiner—Cathron C. Brooks

Assistant Examiner—Austin Murphy

(74) *Attorney, Agent, or Firm*—Trisha D. Adamson

(57) **CLAIM**

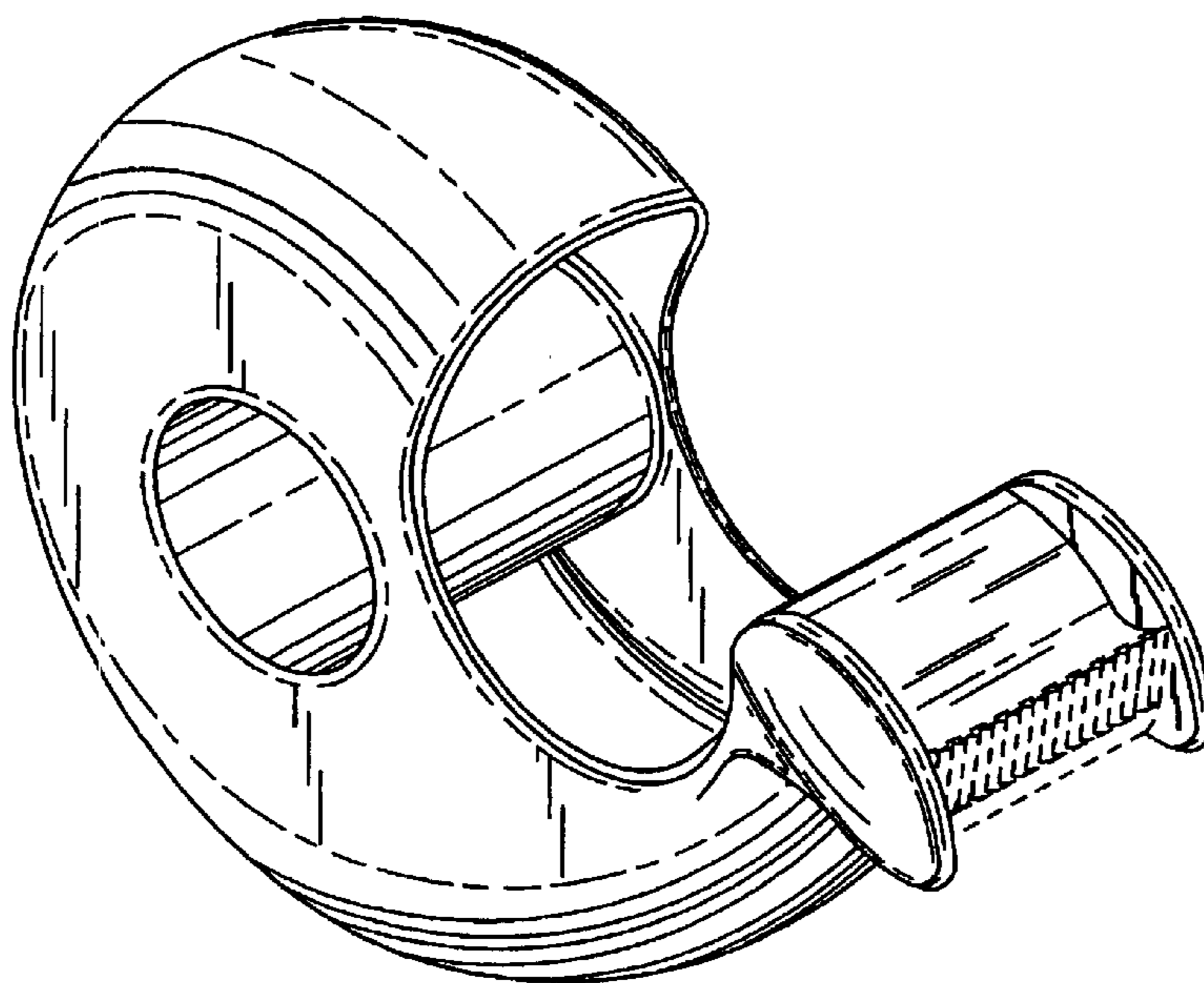
The ornamental design for a tape dispenser, as shown and described.

DESCRIPTION

FIG. 1 is a perspective view of a tape dispenser; FIG. 2 is a left side view thereof, the right side view being a mirror image of the left side view; FIG. 3 is a top view thereof; FIG. 4 is a bottom view thereof; FIG. 5 is a front view thereof; and, FIG. 6 is a rear view thereof.

The broken lines shown on the serrated cutting element indicate unclaimed subject matter. All other broken lines indicate soft contours of the dispenser.

1 Claim, 2 Drawing Sheets



US D541,864 S

Page 2

U.S. PATENT DOCUMENTS

3,498,512 A	3/1970	Golemon	
D242,452 S	11/1976	Brown	
4,104,110 A *	8/1978	Macosko 156/523
4,437,854 A	3/1984	Knoop	
D274,825 S *	7/1984	Lissoni D19/69
4,824,427 A	4/1989	Smillie, III	
4,978,330 A *	12/1990	Suhr 493/466
D315,576 S	3/1991	En	
5,083,717 A	1/1992	Samuelson et al.	
D331,262 S	11/1992	O'Brien	
D332,629 S	1/1993	Oh	
D336,492 S	6/1993	Samuelson	
D342,092 S *	12/1993	Samuelson et al. D19/69
D342,093 S	12/1993	Samuelson	
5,370,916 A	12/1994	Olsen	
5,794,815 A	8/1998	Carlson et al.	
D407,115 S *	3/1999	Baker et al. D19/69
5,964,375 A	10/1999	Carlson et al.	
D416,045 S *	11/1999	Shen D19/69
5,996,932 A	12/1999	Wang	
6,460,800 B1	10/2002	Watanabe	
6,612,474 B2 *	9/2003	Shah 225/51
D485,578 S	1/2004	Chandaria	
D502,508 S	3/2005	Hung	
6,920,979 B2 *	7/2005	Chandaria 206/397
D510,951 S	10/2005	Carlson et al.	
6,971,431 B2	12/2005	Steinberger	
D524,374 S *	7/2006	Carlson et al. D19/69
D524,375 S *	7/2006	Carlson et al. D19/69
D525,305 S *	7/2006	Carlson et al. D19/69
D528,602 S *	9/2006	Carlson et al. D19/69
2004/0060956 A1	4/2004	Chandaria	
2004/0124305 A1	7/2004	Huang	
2004/0151901 A1	8/2004	Pearson	
2005/0284583 A1	12/2005	Soyad	

* cited by examiner

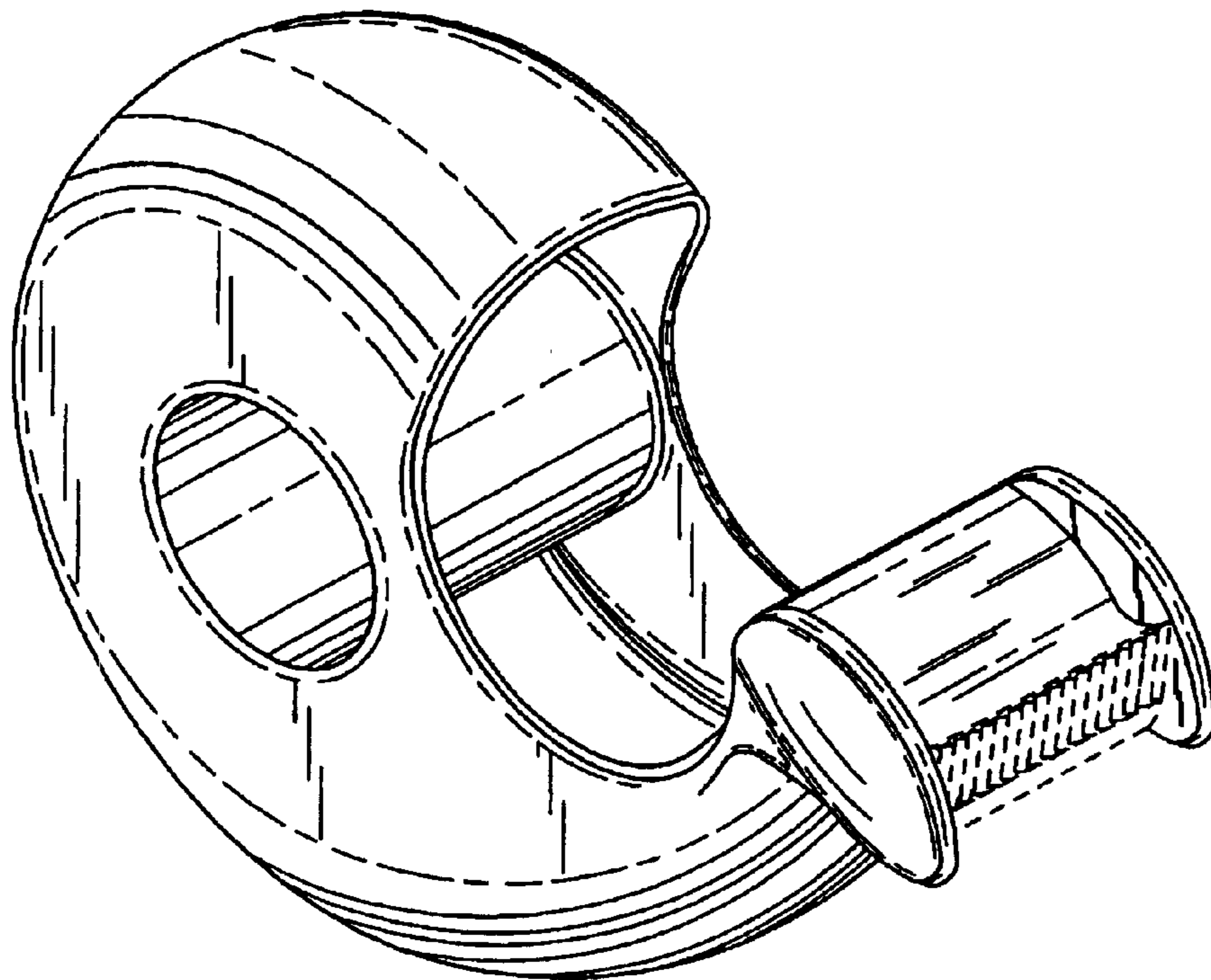


FIG. 1

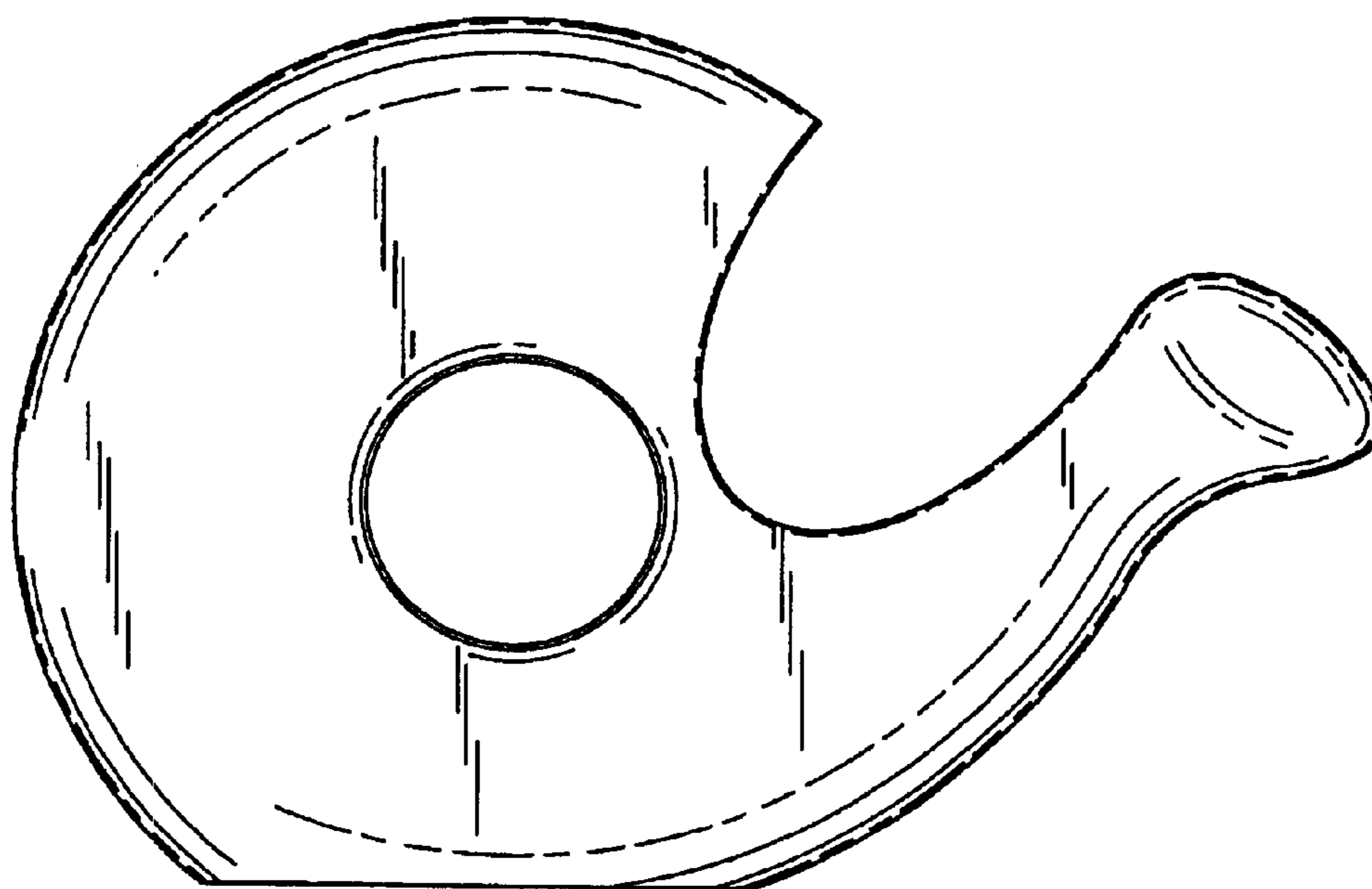


FIG. 2

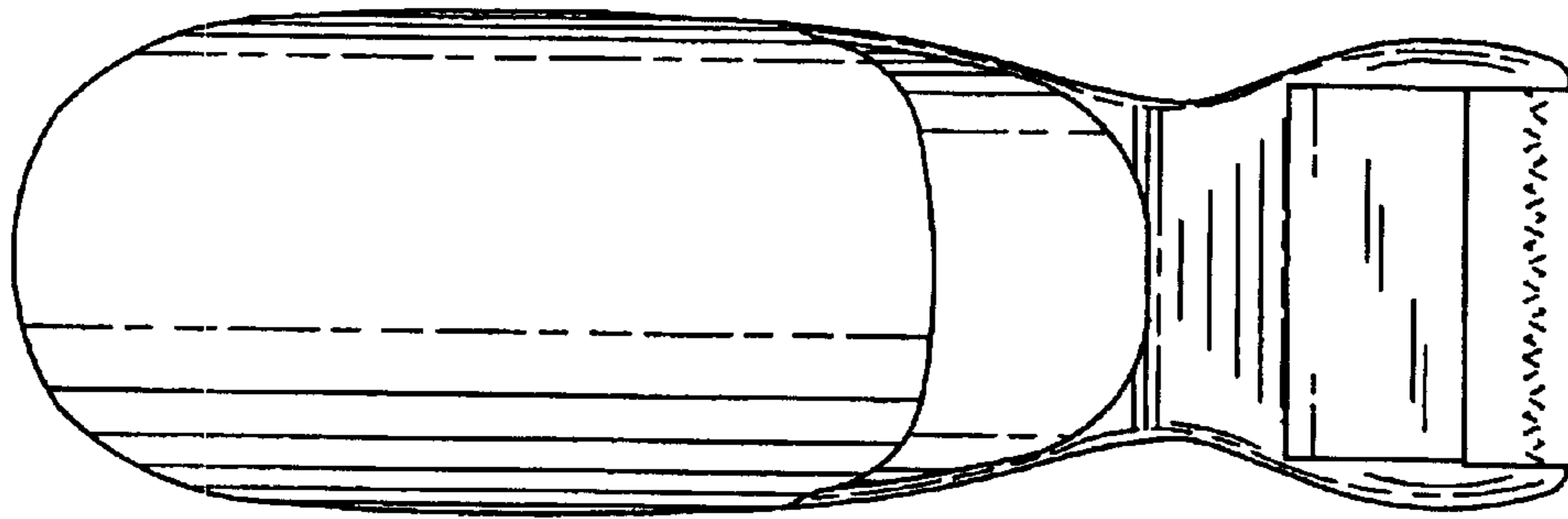


FIG. 3

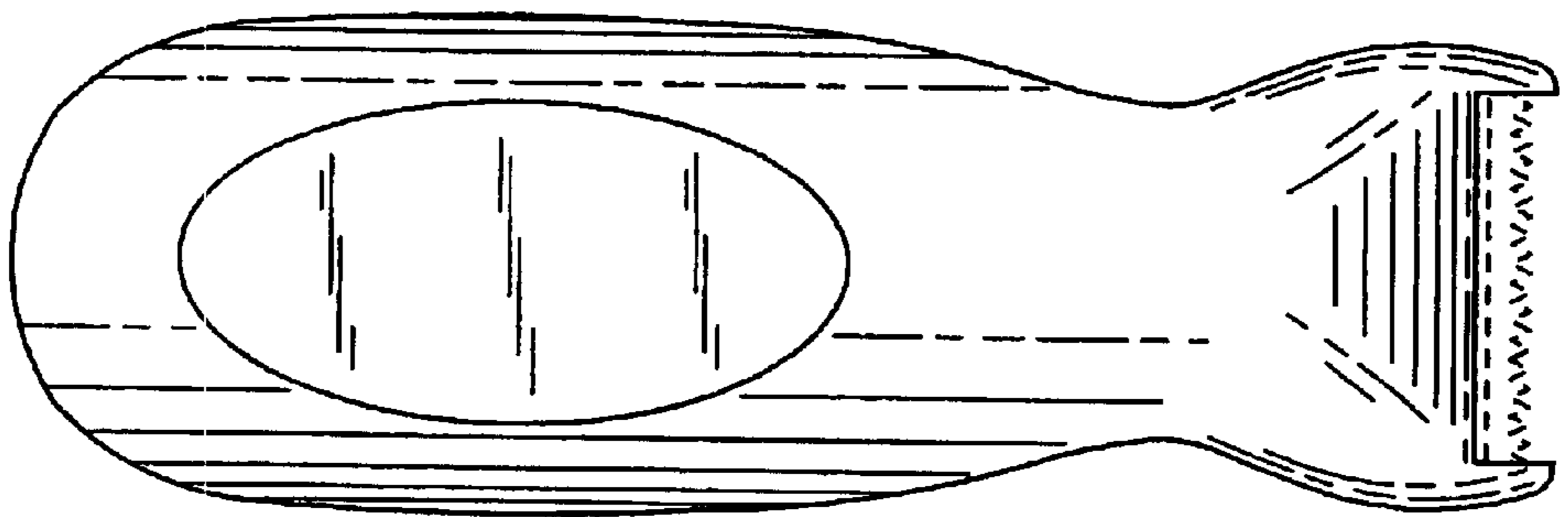


FIG. 4

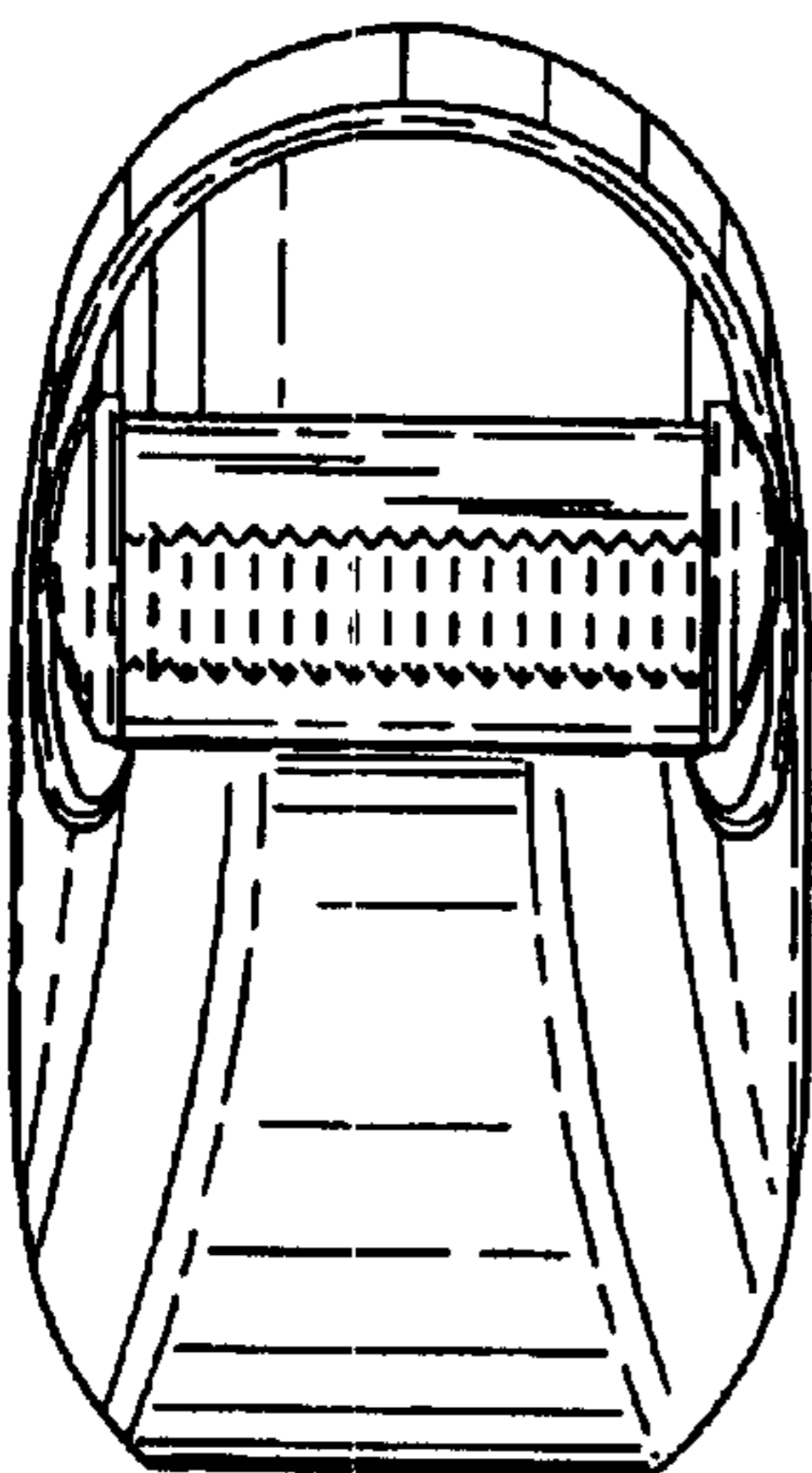


FIG. 5

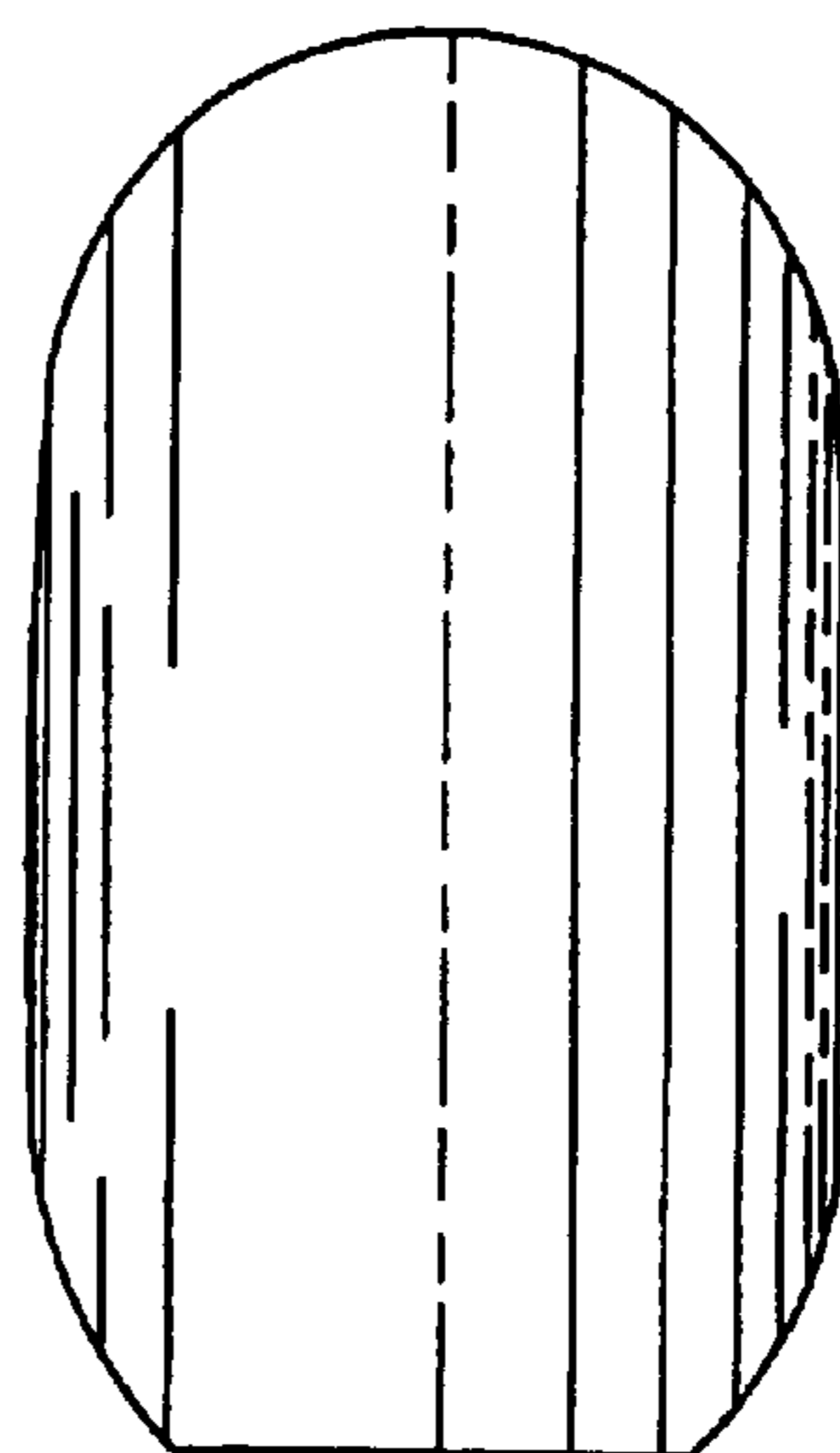


FIG. 6