



US00D541859S

(12) **United States Design Patent**  
**Stollery et al.**

(10) **Patent No.:** **US D541,859 S**

(45) **Date of Patent:** **\*\* May 1, 2007**

(54) **PEN**

(75) Inventors: **Jonathan William Stollery**, Stamford  
(GB); **Kim Marie Jones**, Stamford  
(GB)

(73) Assignee: **Schripton Limited**, West Midlands  
(GB)

(\*\*) **Term:** **14 Years**

(21) **Appl. No.:** **29/199,566**

(22) **Filed:** **Feb. 18, 2004**

(30) **Foreign Application Priority Data**

Aug. 19, 2003 (GB) ..... 3014116

(51) **LOC (8) Cl.** ..... **19-06**

(52) **U.S. Cl.** ..... **D19/48**

(58) **Field of Classification Search** ..... D19/41,  
D19/45-48, 50-51; 401/6, 88, 99, 104-109  
See application file for complete search history.

(56) **References Cited**

**U.S. PATENT DOCUMENTS**

- D57,397 S \* 3/1921 Taussig ..... D19/46
- D142,391 S \* 9/1945 Stempel ..... D19/51
- D143,508 S \* 1/1946 Reynolds ..... D19/48
- 2,693,788 A \* 11/1954 Spatz ..... 211/69.1
- D174,250 S \* 3/1955 Daniels ..... D19/46
- D175,864 S \* 10/1955 Steinberg ..... D19/48
- 2,827,879 A \* 3/1958 Rosa ..... 211/69.7
- D216,490 S \* 1/1970 Wakai ..... D19/48
- D269,445 S \* 6/1983 Kruckel et al. .... D19/48
- D284,582 S \* 7/1986 Bruhn ..... D19/48
- D284,773 S \* 7/1986 Schwartz et al. .... D19/48
- 4,601,598 A \* 7/1986 Schwartz et al. .... 401/6

- D286,164 S \* 10/1986 Tinz ..... D19/48
- D287,603 S \* 1/1987 Bruhn ..... D19/48
- D289,304 S \* 4/1987 Giugiaro ..... D19/48
- D312,478 S \* 11/1990 Lecce ..... D19/48
- D338,038 S \* 8/1993 Oka et al. .... D19/48
- D342,282 S \* 12/1993 Kennedy ..... D19/83
- D342,545 S \* 12/1993 Kao ..... D19/48
- D352,735 S \* 11/1994 Covington et al. .... D19/42
- D465,808 S \* 11/2002 Deluca et al. .... D19/48

**FOREIGN PATENT DOCUMENTS**

WO DM/059716 \* 4/2002

**OTHER PUBLICATIONS**

“Professional Counter Pen”, 2 pp including photos, [online],  
<URL:http://www.schripton.com/210.php>, site visited Apr.  
19, 2006, checked on Wayback Machine Internet Archive,  
date not found.\*

\* cited by examiner

*Primary Examiner*—Ian Simmons  
*Assistant Examiner*—Carla Jobe Wright  
(74) *Attorney, Agent, or Firm*—Nixon & Vanderhye P.C.

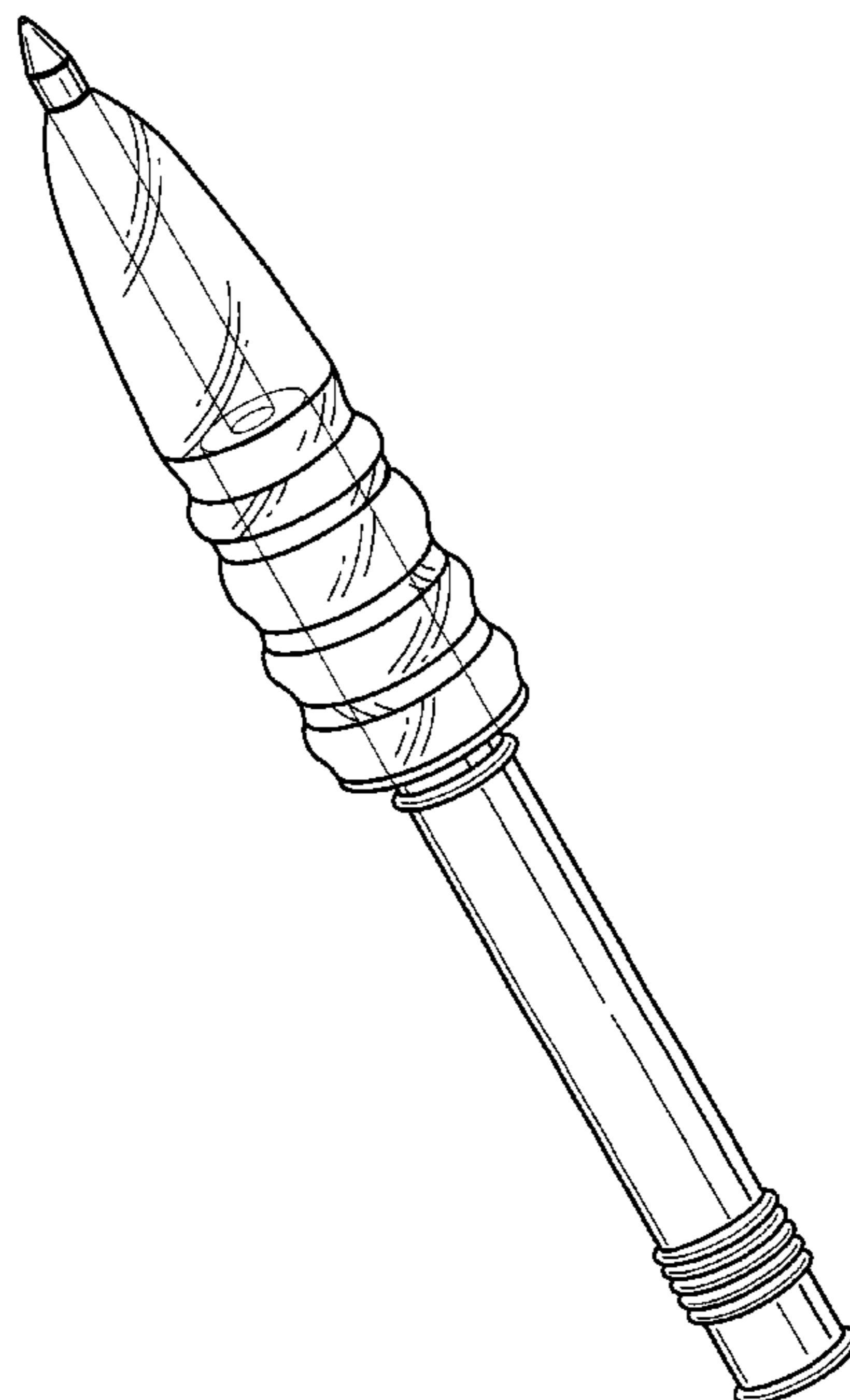
(57) **CLAIM**

The ornamental design for a “pen,” as shown and described.

**DESCRIPTION**

FIG. 1 is a perspective view of the pen according to the  
present invention;  
FIG. 2 is a side view of the pen;  
FIG. 3 is a bottom view of the pen; and,  
FIG. 4 is a perspective view of the pen showing a pen stem  
in phantom.

**1 Claim, 3 Drawing Sheets**



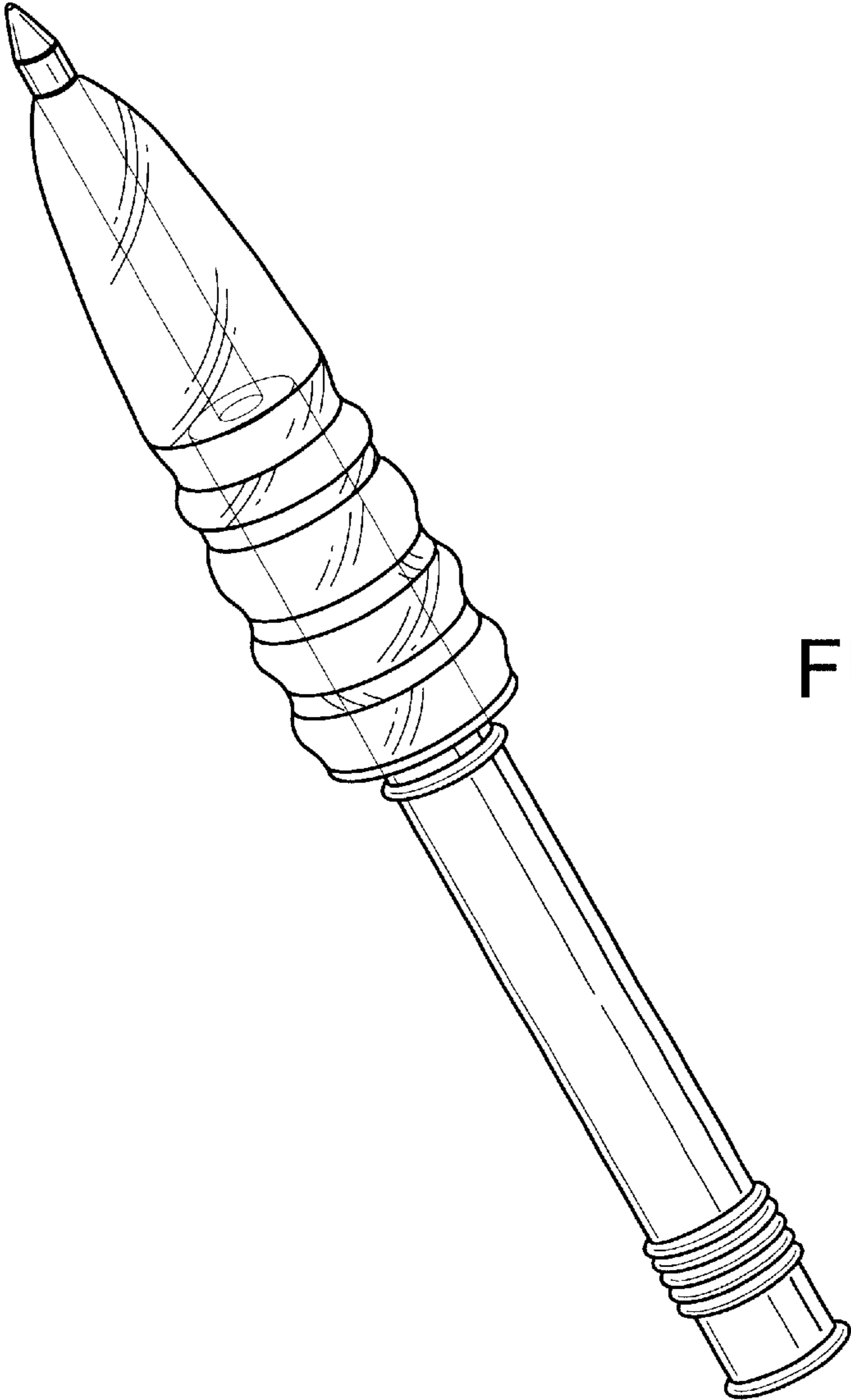


FIG. 1

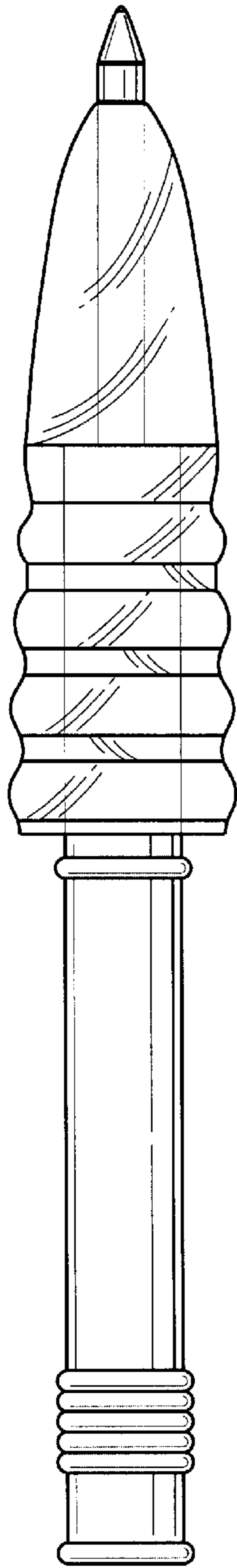


FIG. 2

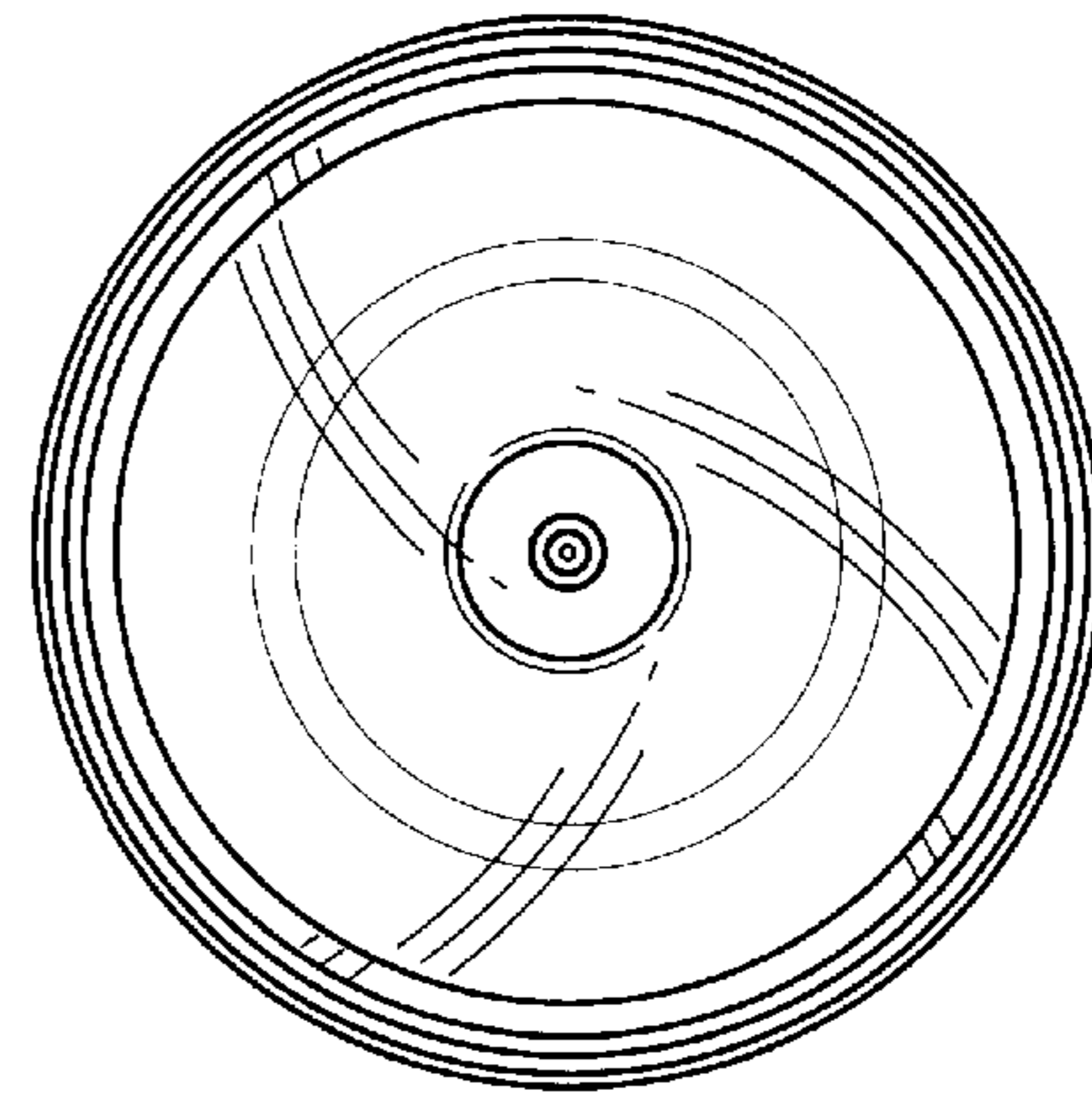


FIG. 3

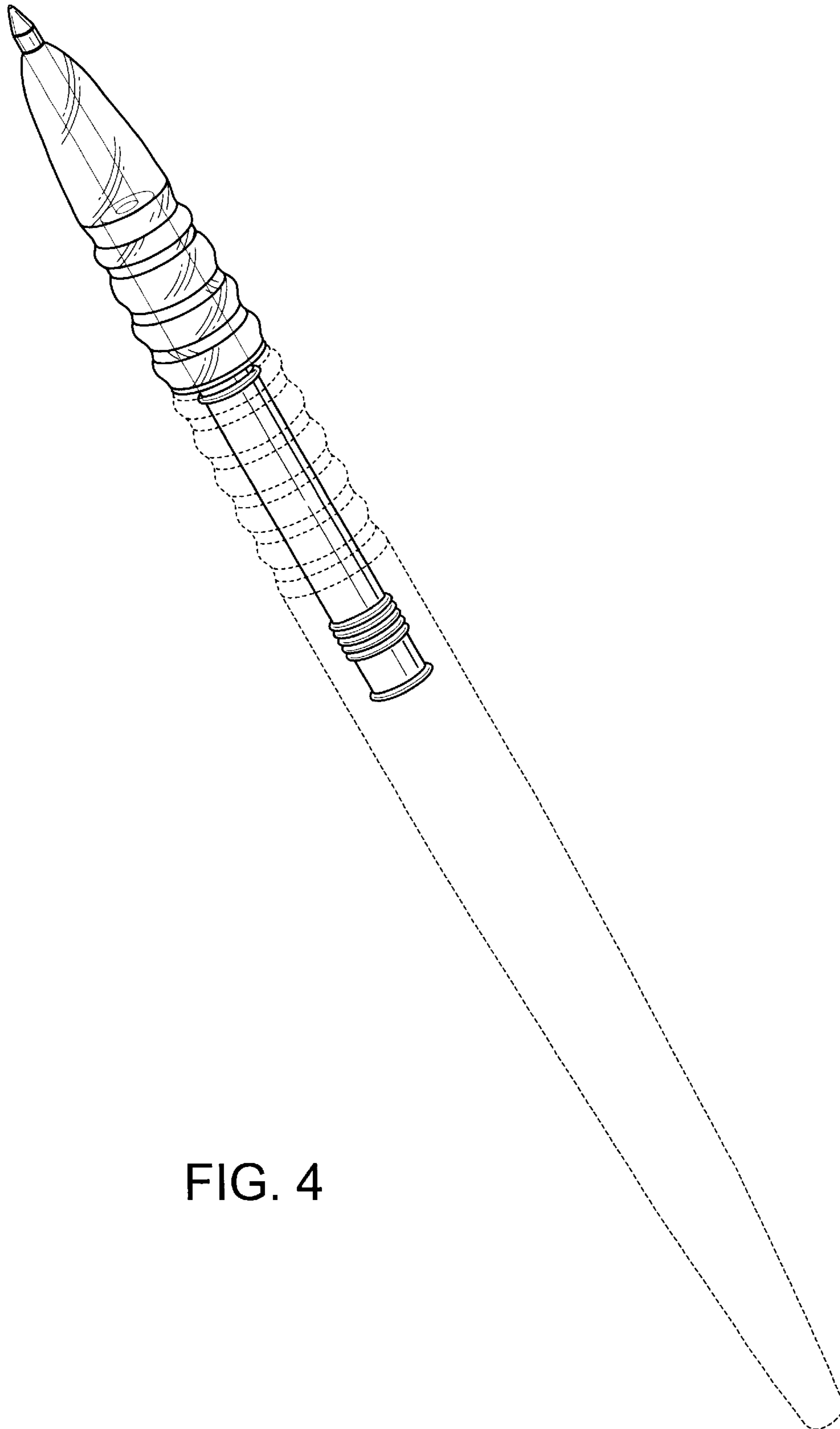


FIG. 4