



US00D541853S

(12) **United States Design Patent**
Wu

(10) **Patent No.:** **US D541,853 S**

(45) **Date of Patent:** **** May 1, 2007**

(54) **INK CONTAINER**

(75) Inventor: **Jun Zhong Wu**, Guangdong (CN)

(73) Assignee: **Apex Leader Limited**, Tortola (VG)

(**) Term: **14 Years**

(21) Appl. No.: **29/262,642**

(22) Filed: **Jul. 7, 2006**

(51) **LOC (8) Cl.** **18-02**

(52) **U.S. Cl.** **D18/56; 347/86**

(58) **Field of Classification Search** D18/40,
D18/43, 56; D14/481; 347/20, 29, 33, 49-50,
347/86-87

See application file for complete search history.

(56) **References Cited**

U.S. PATENT DOCUMENTS

D338,235 S	*	8/1993	Komada et al.	D18/56
D361,343 S	*	8/1995	Kaplinsky et al.	D18/56
5,767,881 A	*	6/1998	Geissmann	347/86
D423,566 S	*	4/2000	Hosono	D18/56

D449,335 S	*	10/2001	Giles et al.	D18/56
2001/0020971 A1	*	9/2001	Usui et al.	347/86
2002/0008745 A1	*	1/2002	Silverbrook et al.	347/86
2004/0017447 A1	*	1/2004	Suzuki et al.	347/86

* cited by examiner

Primary Examiner—Cathy Anne MacCormac

(74) *Attorney, Agent, or Firm*—Joel E. Lutzker, Esq.; John C. Garces, Esq.; Schulte Roth & Zabel

(57) **CLAIM**

The ornamental design for an ink container, as shown and described.

DESCRIPTION

FIG. 1 is a front elevation view of an ink container showing my new design;

FIG. 2 is a rear elevation view thereof;

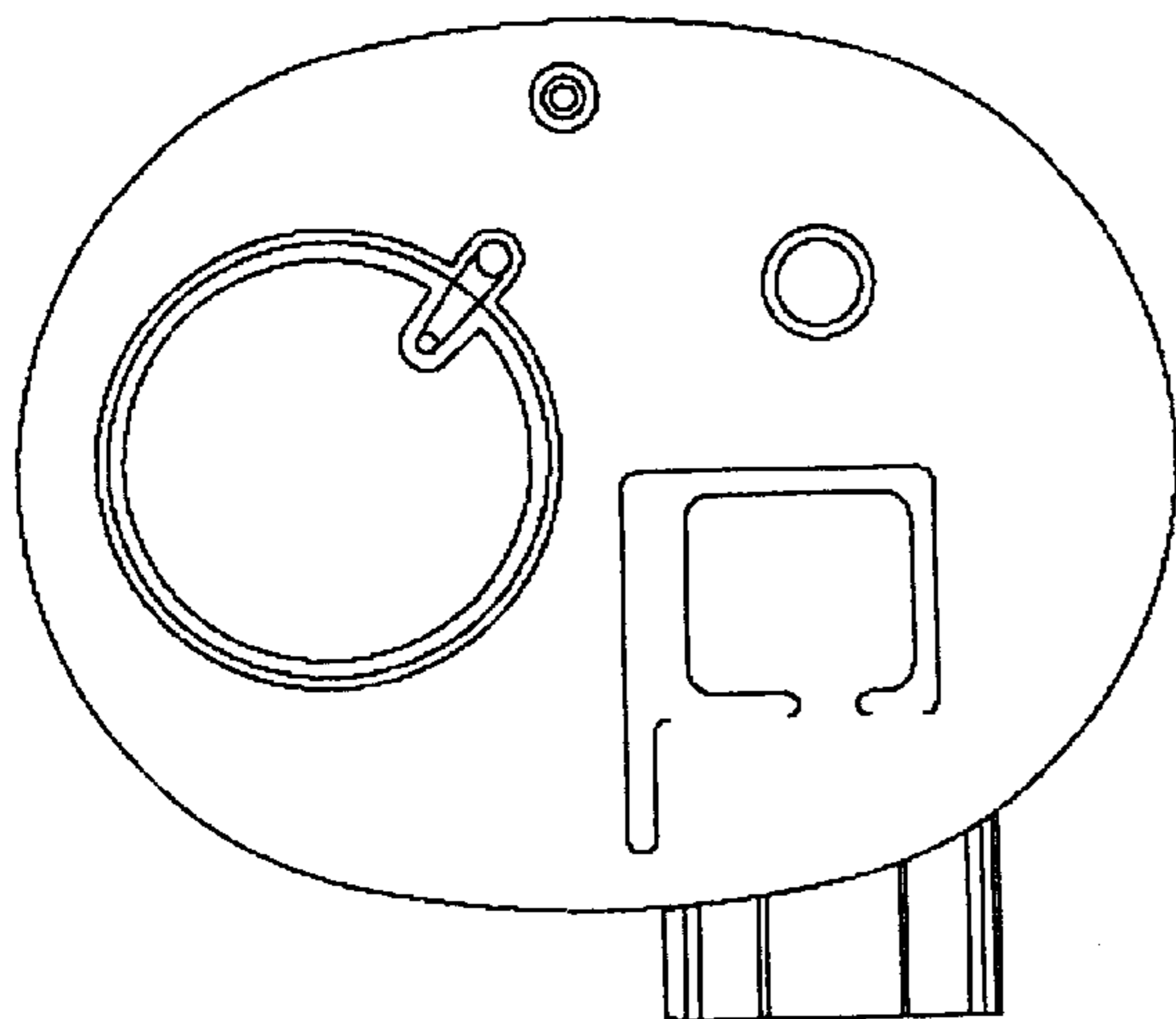
FIG. 3 is a right side elevation view thereof;

FIG. 4 is a left side elevation view thereof;

FIG. 5 is a bottom view thereof; and,

FIG. 6 is a top view thereof.

1 Claim, 6 Drawing Sheets



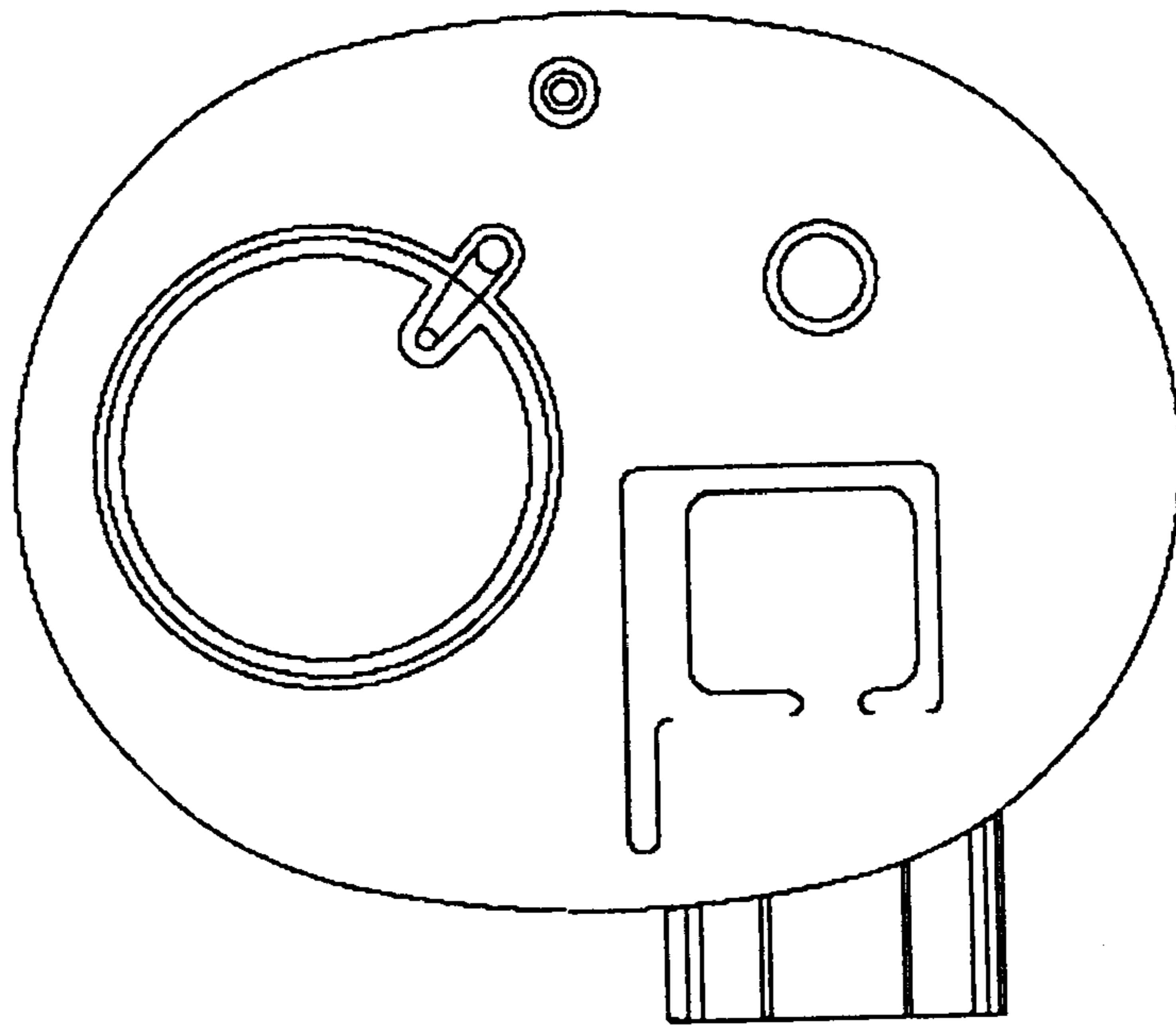


FIG.1

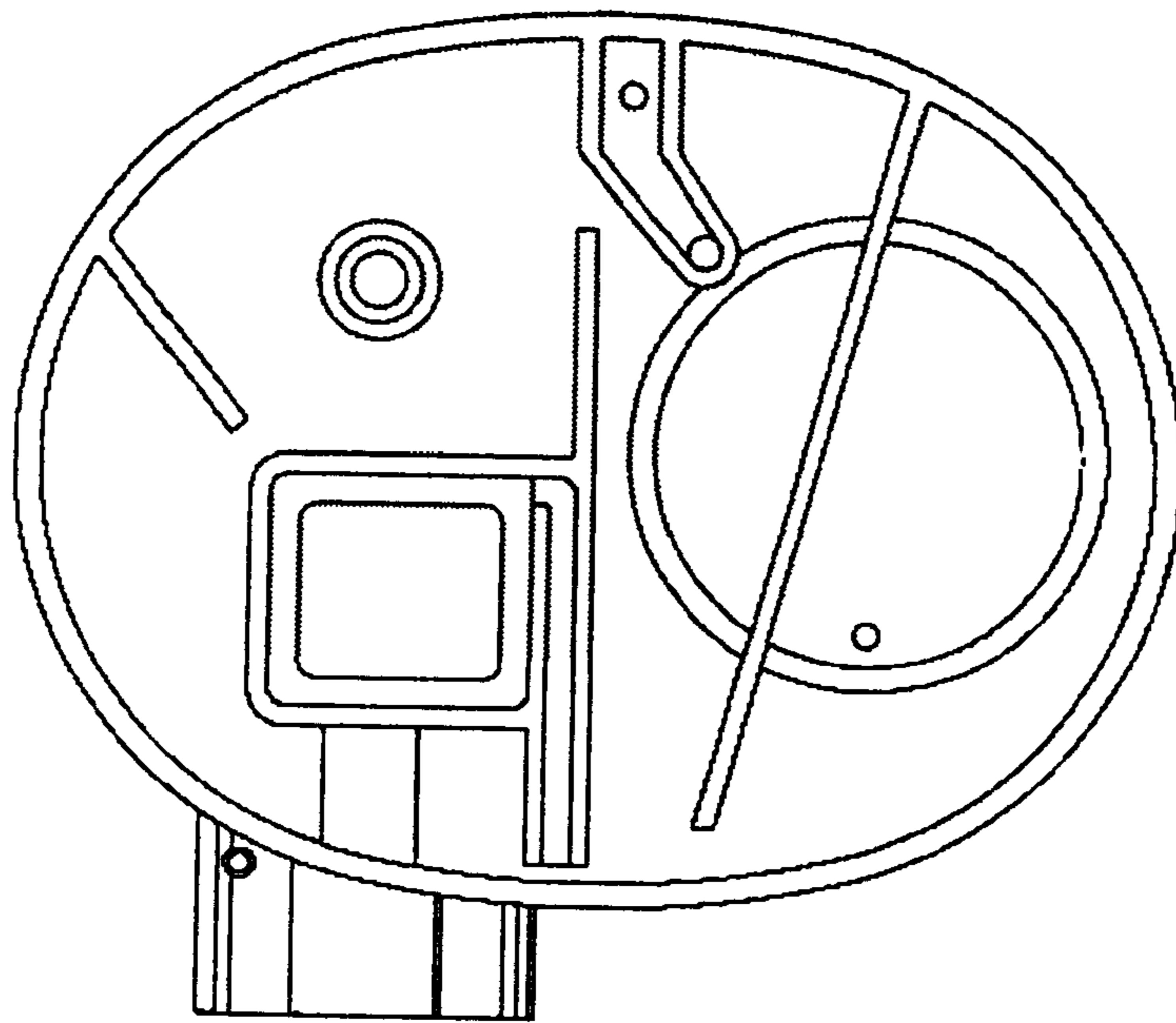


FIG.2

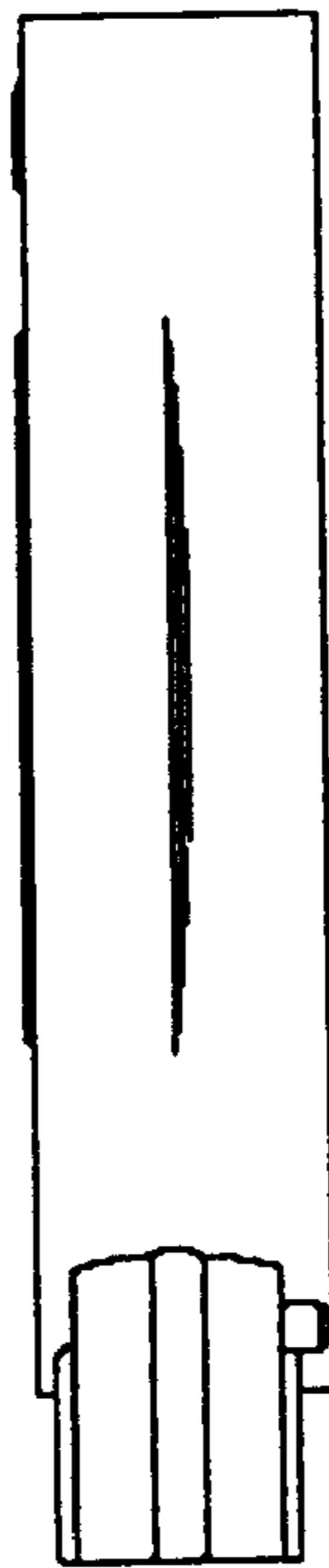


FIG.3

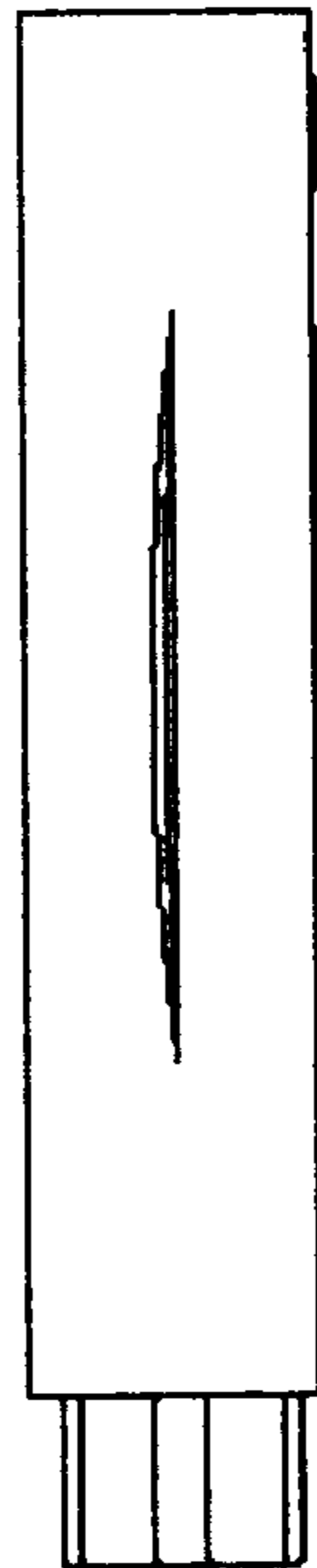


FIG.4

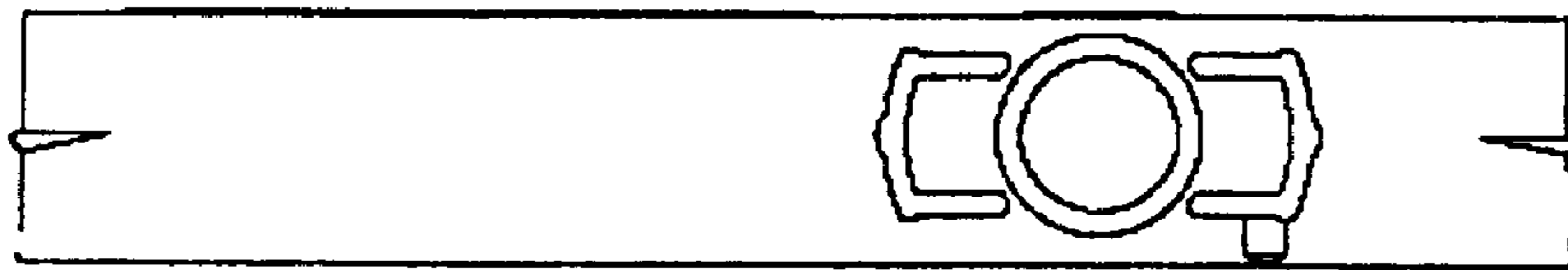


FIG.5



FIG.6