



US00D541851S

(12) **United States Design Patent**
Hattori et al.

(10) **Patent No.:** **US D541,851 S**

(45) **Date of Patent:** **** May 1, 2007**

(54) **INK CARTRIDGE**

(75) Inventors: **Shingo Hattori**, Tsushima (JP);
Toyonori Sasaki, Anjyo (JP);
Tomohiro Kanbe, Nagoya (JP)

(73) Assignee: **Brother Industries, Ltd.**, Nagoya (JP)

(**) Term: **14 Years**

(21) Appl. No.: **29/256,713**

(22) Filed: **Mar. 24, 2006**

(30) **Foreign Application Priority Data**

Nov. 18, 2005 (JP) 2005-034118

(51) **LOC (8) Cl.** **18-02**

(52) **U.S. Cl.** **D18/56; 347/86**

(58) **Field of Classification Search** D18/12,
D18/40, 43, 56; D14/481, 483; 347/29, 33,
347/49-50, 86-87, 178, 214; 399/25, 110
See application file for complete search history.

(56) **References Cited**

U.S. PATENT DOCUMENTS

D361,591 S	*	8/1995	Tokuda et al.	D18/56
5,541,631 A	*	7/1996	Hashimoto	347/86
5,666,146 A	*	9/1997	Mochizuki et al.	347/86
D447,169 S	*	8/2001	Okubo et al.	D18/56
D447,513 S	*	9/2001	Miyazawa et al.	D18/56
D448,798 S	*	10/2001	Shimizu et al.	D18/56
D449,643 S	*	10/2001	Hatasa et al.	D18/56

D468,347 S	*	1/2003	Yamada et al.	D18/56
D468,768 S	*	1/2003	Yamada et al.	D18/56
D477,020 S	*	7/2003	Seino	D18/56
D489,757 S	*	5/2004	Matsumoto	D18/56
D490,102 S	*	5/2004	Umeyama et al.	D18/56
D490,846 S	*	6/2004	Suzuki et al.	D18/56
D522,049 S	*	5/2006	Ishizawa et al.	D18/56

* cited by examiner

Primary Examiner—Cathy Anne MacCormac

(74) *Attorney, Agent, or Firm*—Oliff & Berridge, PLC

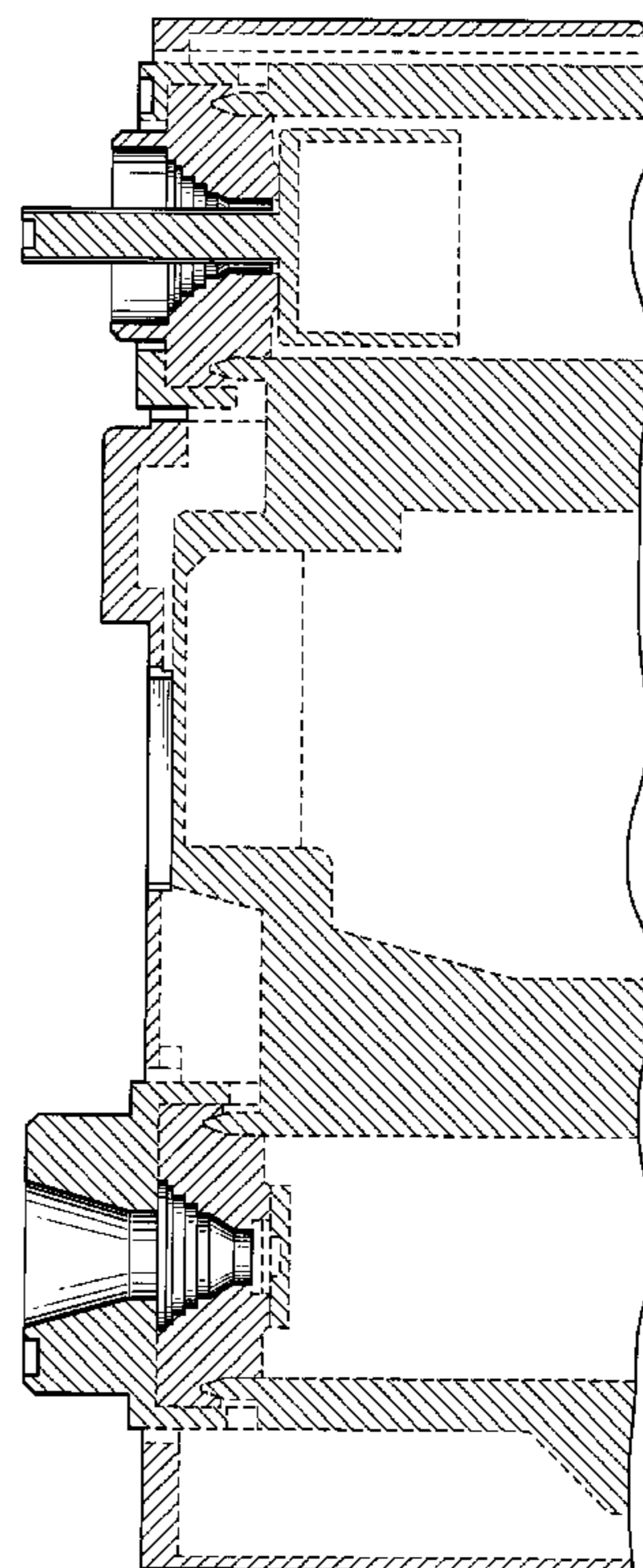
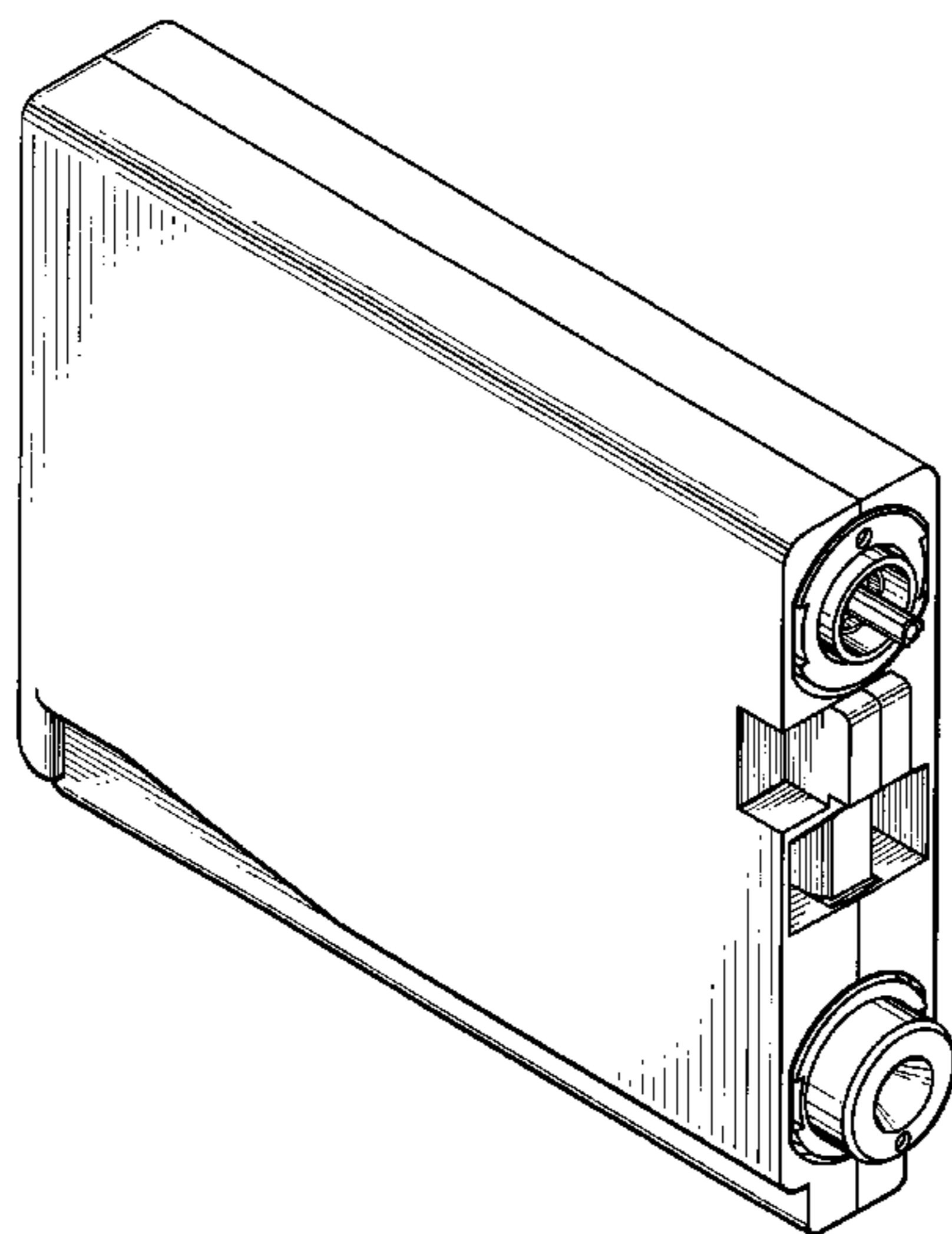
(57) **CLAIM**

The ornamental design for an ink cartridge, as shown and described.

DESCRIPTION

FIG. 1 is a perspective view of an ink cartridge;
 FIG. 2 is a front view thereof;
 FIG. 3 is a top view thereof;
 FIG. 4 is a right side view thereof;
 FIG. 5 is a left side view thereof;
 FIG. 6 is a rear view thereof;
 FIG. 7 is a bottom view thereof;
 FIG. 8 is an enlarged partial cross-sectional view thereof taken along the line 8—8 of FIG. 4; and,
 FIG. 9 is an enlarged partial section view thereof taken along the line 9—9 of FIG. 4.
 The broken lines are for illustrative purposes only and form no part of the claimed design.

1 Claim, 6 Drawing Sheets



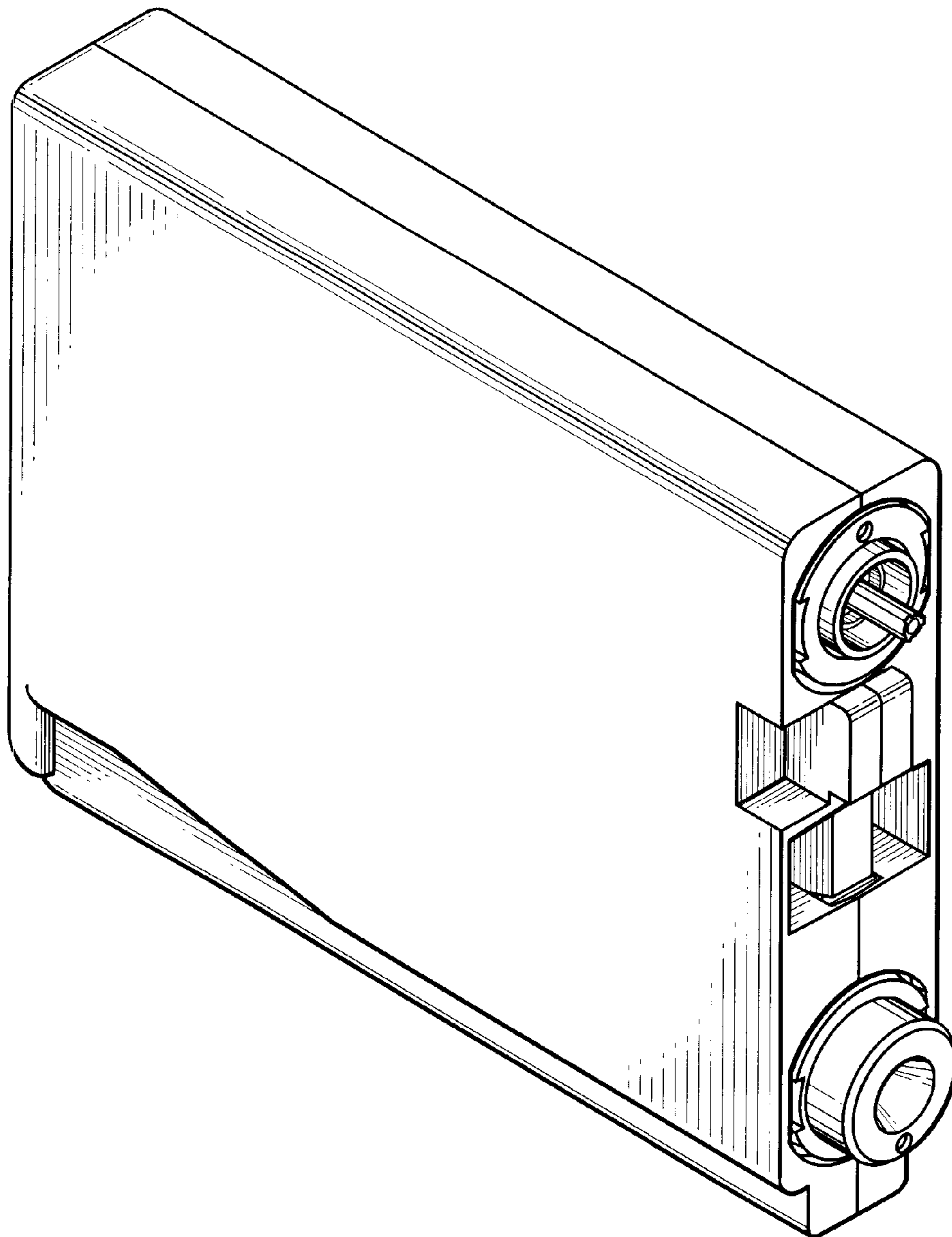


FIG. 1

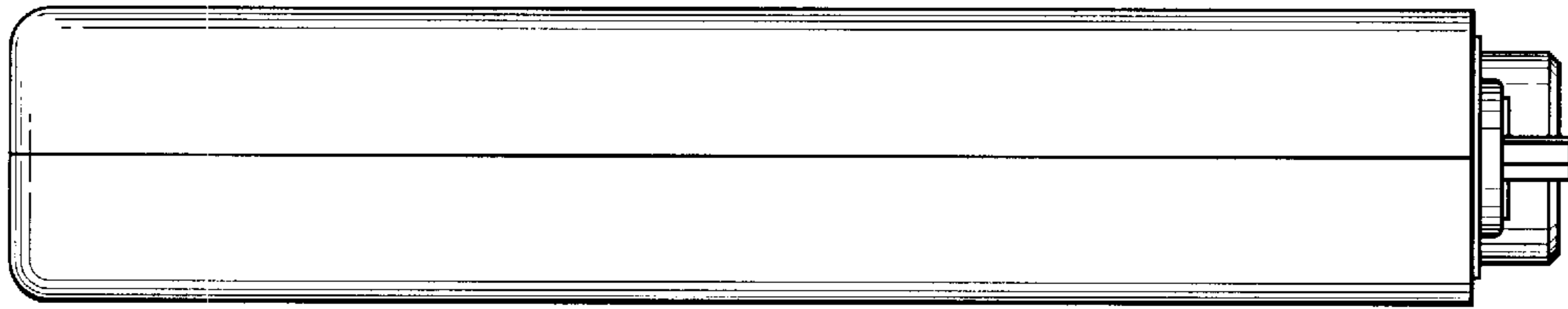


FIG. 3

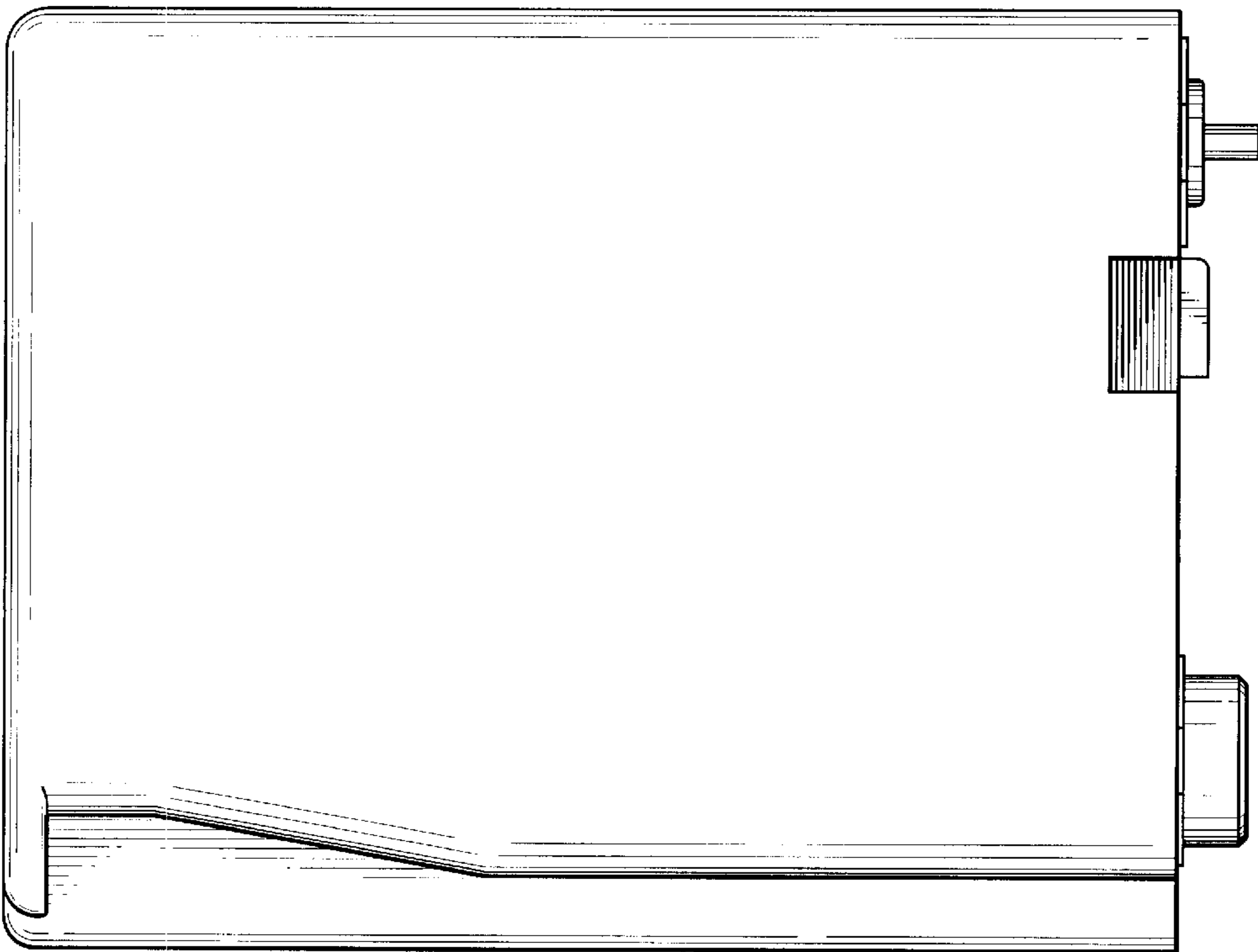


FIG. 2

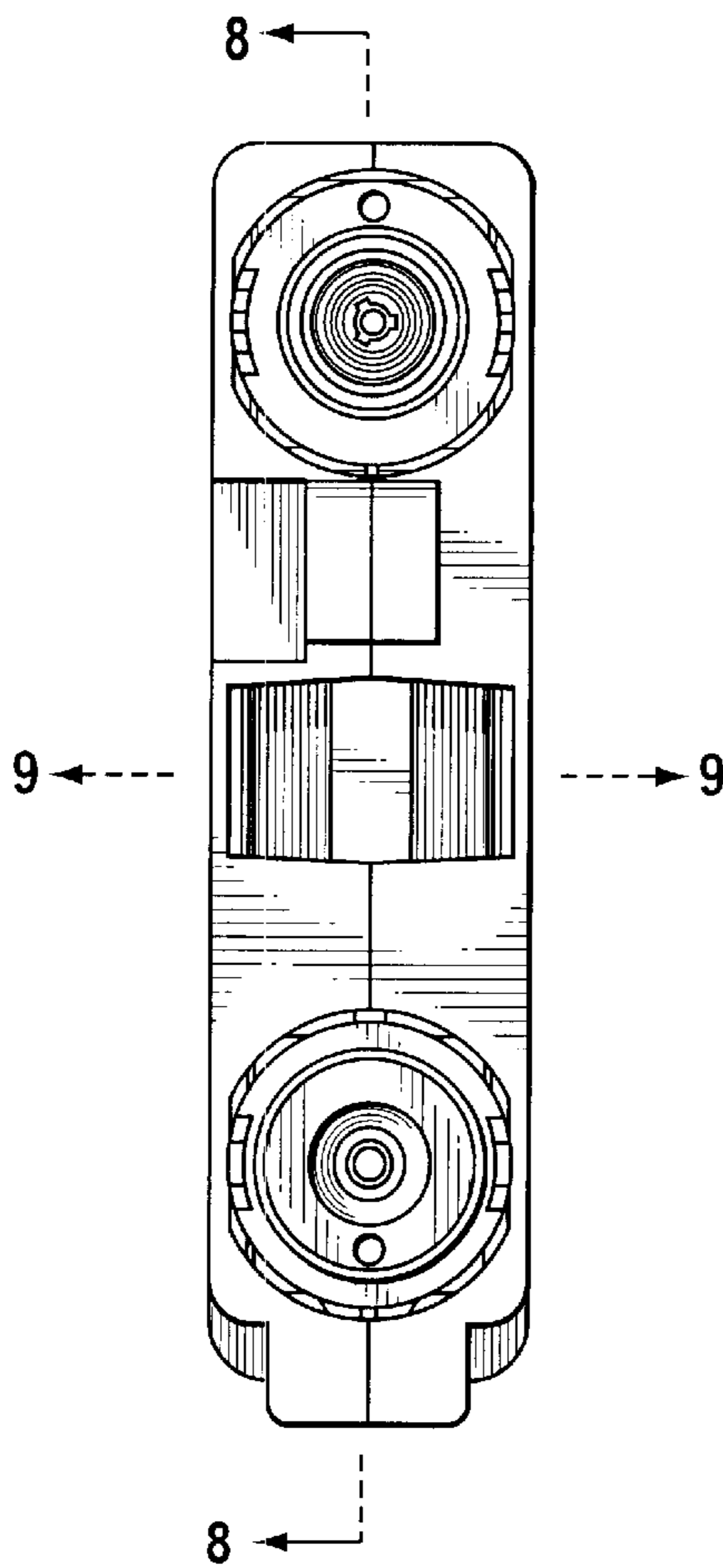


FIG. 4

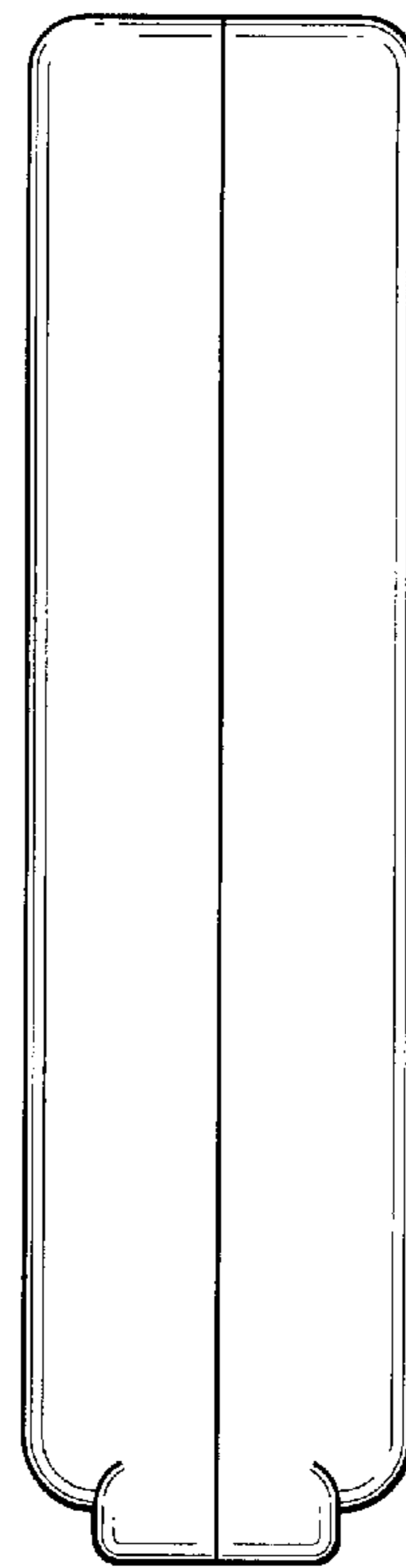


FIG. 5

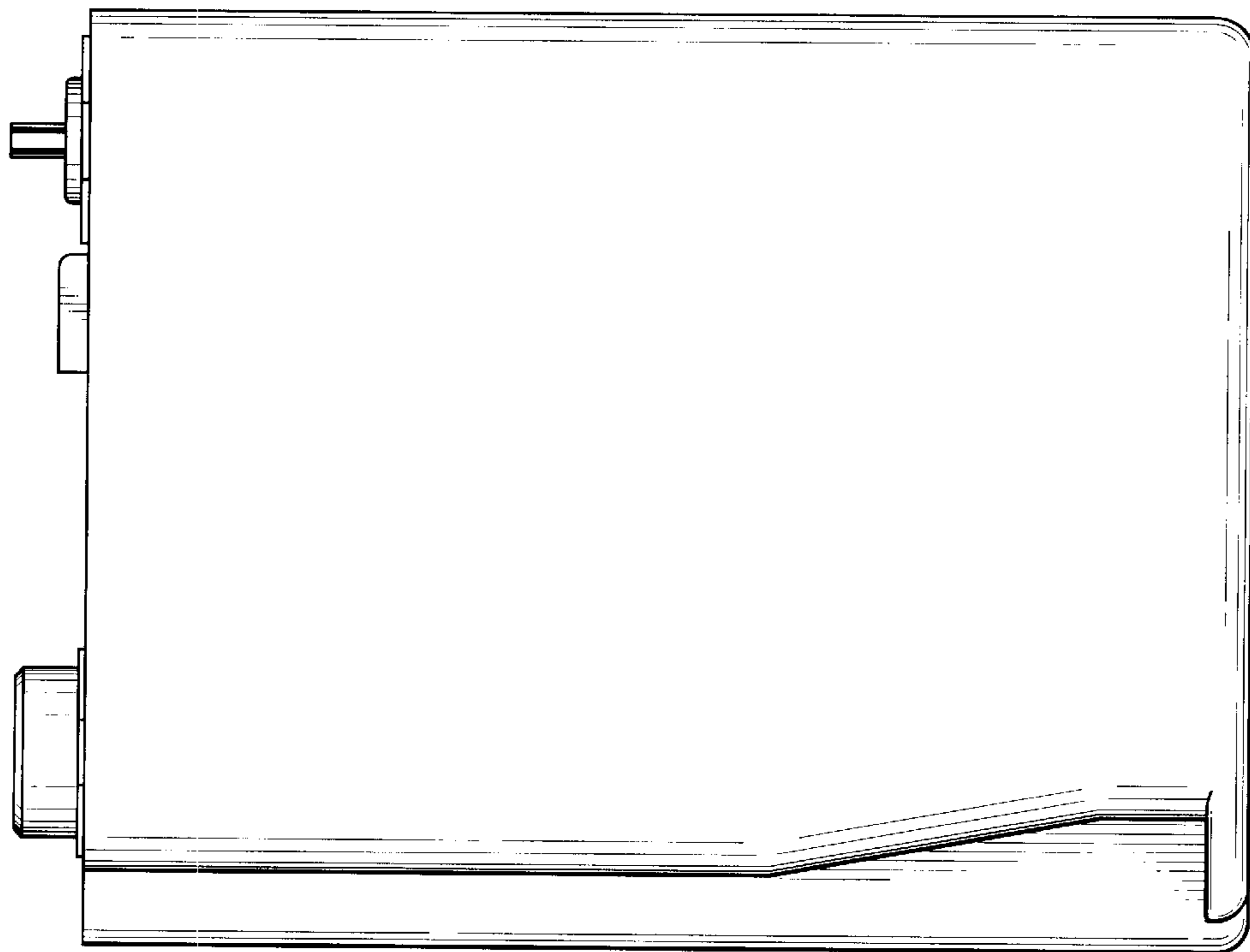


FIG. 6

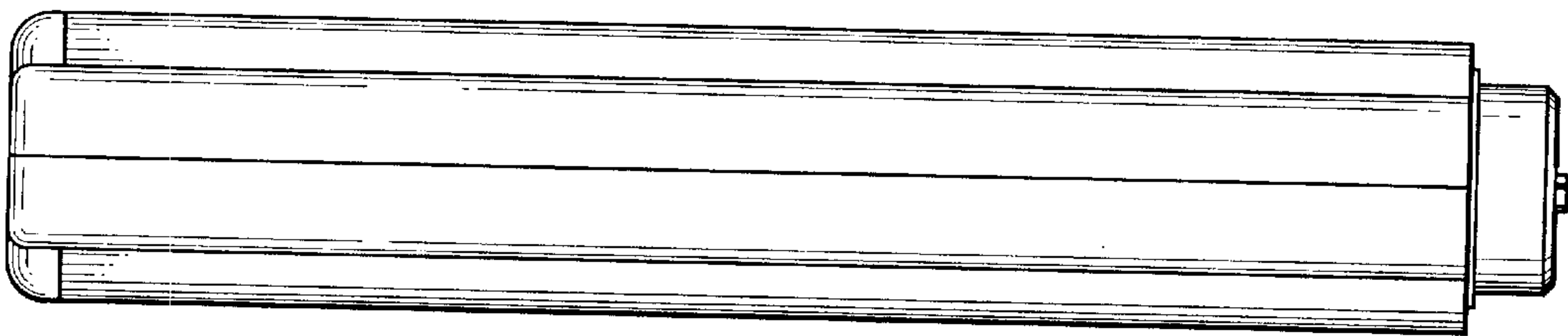


FIG. 7

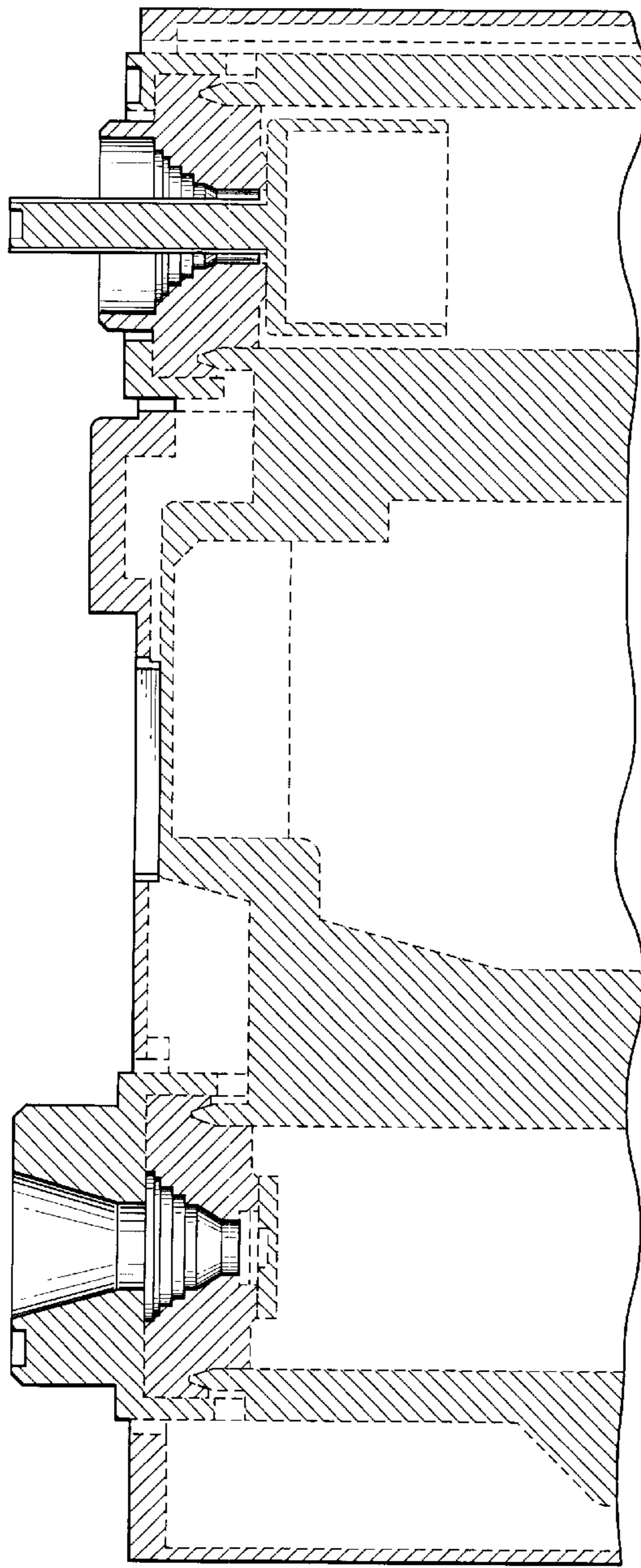


FIG. 8

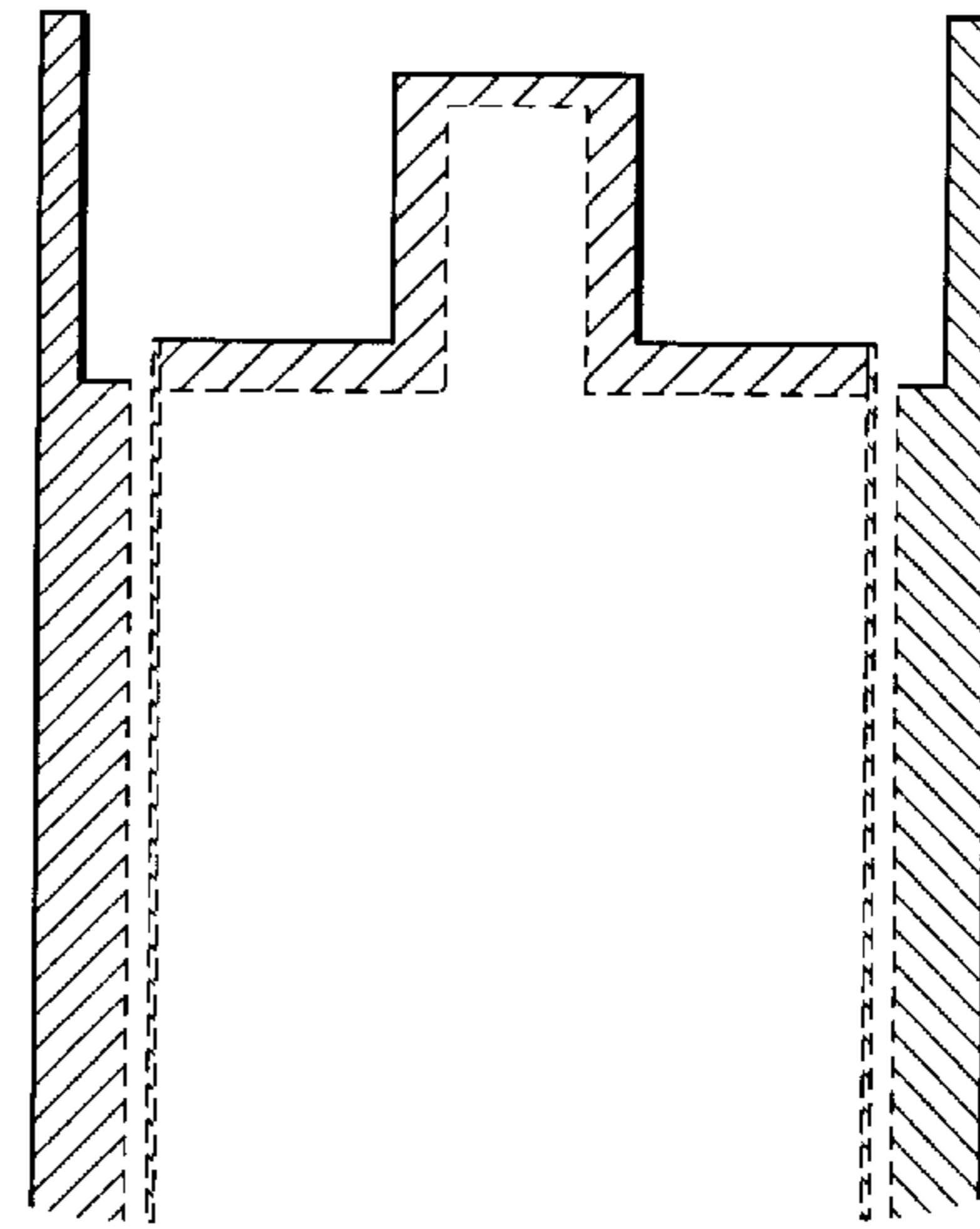


FIG. 9